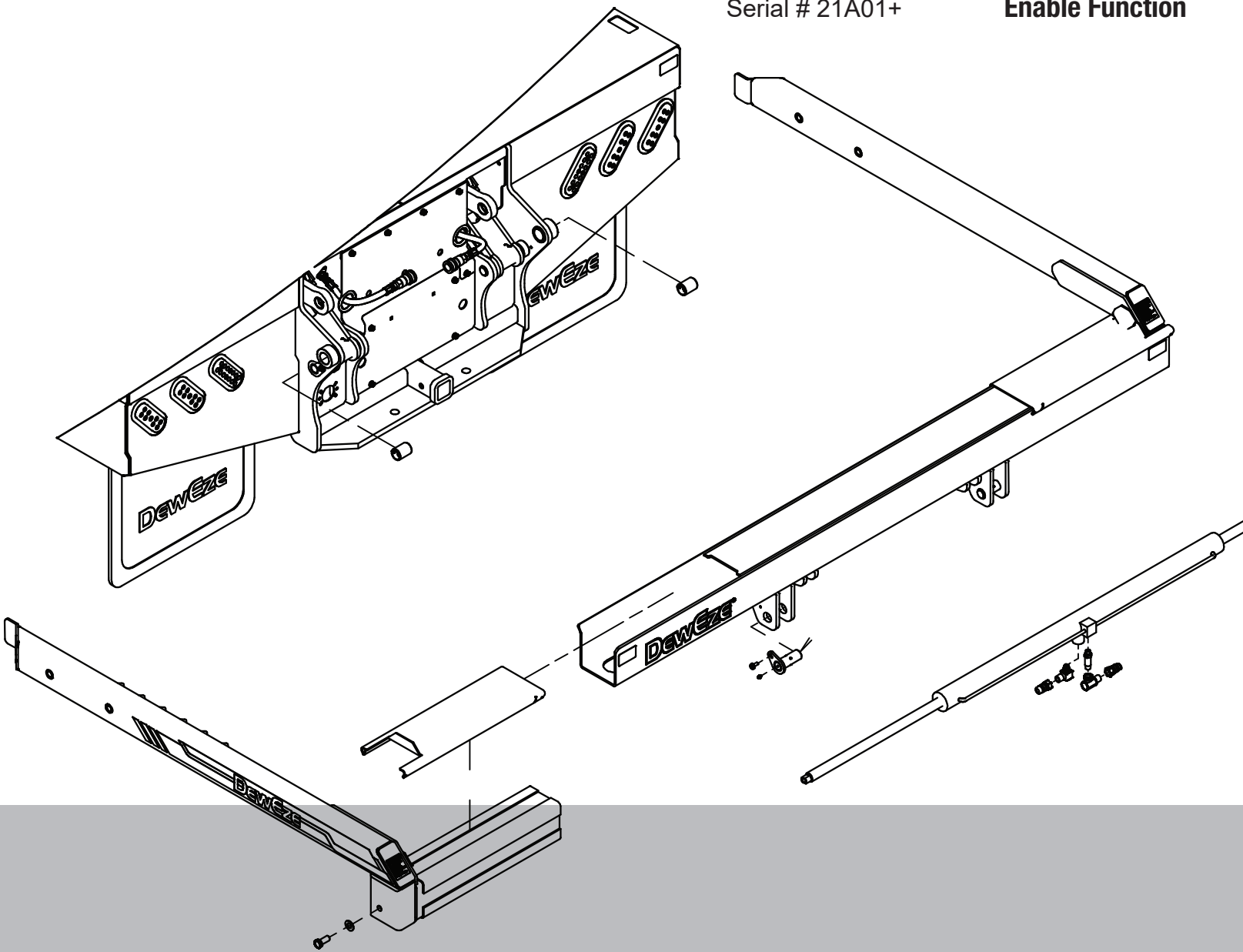


# RT & XRT FLATBED

Serial # 21A01+

Enable Function



# DewEze®



**Thank you for purchasing a DewEze Flatbed.**

**TO THE OWNER OR OPERATOR:**

As with all Harper products, the 600 and 700 Series Flatbeds have been thoroughly tested and built to provide a sturdy, dependable product. The Flatbed is equipped with live hydraulics, which allows it to be used for a wide range of lifting and hauling tasks. This manual is written as an aid to operating and maintaining the DewEze Flatbed. Read and understand the manual thoroughly before operation to avoid damage to the unit or injury to the operator or bystanders.

A Flatbed can present hazards to an operator who follows unsafe procedures in either the operation or maintenance of the unit. Therefore, **SAFETY WARNINGS** are present at certain locations in the text. Harper Industries is not responsible for accidents or injuries that result from the misuse or lack of maintenance of the Flatbed.

**SYMBOL:**



**SAFETY WARNING!**



**MEANING:** Failure to understand and obey this warning may result in injury to you or others. Whenever this symbol is used, please pay very close attention to the information presented, and make sure you fully understand. If you do not, contact your dealer or Harper Industries for clarification.



**SAFETY WARNING!**



**ALL SHIELDS AND GUARDS MUST BE IN PLACE FOR PROPER AND SAFE OPERATION OF THIS EQUIPMENT. WHERE THEY ARE SHOWN REMOVED IN THIS MANUAL, IT IS FOR PURPOSES OF ILLUSTRATION AND INSTRUCTION ONLY. DO NOT OPERATE THIS EQUIPMENT UNLESS ALL SHIELDS AND GUARDS ARE IN PLACE.**

**///HARPER INDUSTRIES, INC.**

151 E. HWY. 160 Harper, KS 67058  
(620) 896-7381 • Fax (620) 896-7129

**Toll Free** 800-835-1042

**Email** [info@deweze.com](mailto:info@deweze.com)

**Website** [www.deweze.com](http://www.deweze.com)

© 2022 Harper Industries, Inc.

The Harper and DewEze names and the ATM logo are registered trademarks of Harper Industries, Inc. All other brand and product names are trademarks or registered trademarks of their respective companies.

### Statement of Warranty

Harper Industries, Inc. (HII) warrants to each purchaser of a new DewEze Flatbed from an authorized dealer or representative, that such equipment is free of manufacturer's defects in workmanship and materials which appear while in normal service for a period of TWO YEARS commencing with delivery to the original user. The Flatbed hydraulic and electrical systems are warranted for a period of ONE YEAR.

The obligation of HII under this warranty is expressly limited, at our option, to replacement or repair at a service facility designated by Harper Industries or at the manufacturing plant in Harper, KS. A part will be replaced after inspection discloses it to have been defective. This warranty does not apply to defects caused by damage or unreasonable use (including failure to provide reasonable and necessary maintenance, or by performing functions without genuine DewEze Flatbed accessories) while in the possession of the consumer.

Warranty is limited to parts, labor and ground freight delivery of replacement parts. Labor for repair to hydraulic and electrical power systems from HII installed with bed purchase/installation is covered under this warranty. HII shall not be liable for the consequential damages of any kind, including but not limited to consequential labor costs or transportation charges in connection with replacement or repair of defective parts.

This warranty does not apply to parts subjected to misuse, abuse, alteration, improper or inadequate maintenance, or normal wear.

Harper Industries makes no warranty with respect to trade accessories. They are subject to the warranties of their respective manufacturers.

ANY IMPLIED OR STATUTORY WARRANTIES, INCLUDING ANY WARRANTY OR MERCHANTABILITY OR FITNESS FOR A PARTICULAR PURPOSE, ARE EXPRESSLY LIMITED TO THE DURATION OF THIS WRITTEN WARRANTY. HII makes no other express warranty, nor is anyone authorized to make any on behalf of HII.

For further information please contact your nearest DewEze Flatbed dealer.

### RECORDS

Date of Purchase \_\_\_\_\_ / \_\_\_\_\_ / \_\_\_\_\_

Dealer's Name \_\_\_\_\_

Dealer's Phone \_\_\_\_\_

Serial Number Bed \_\_\_\_\_

Serial Number Pump \_\_\_\_\_

# Table of Contents

## OPERATOR SECTION

To the Owner or Operator.....	1
Warranty Statement.....	2
Table of Contents.....	3
Specifications.....	4
Feature Identification.....	5
Safety Guidelines	
General Equipment Safety.....	6
Flatbed Operation Safety.....	6
Hydraulic Safety.....	7
Safety Symbols.....	7
Operating Instructions	
Getting Started.....	7
Arbor & Riser Attachment.....	7
Beginning Operation.....	7
Loading.....	7
Unloading.....	7
Pay-out.....	7
Reel Power Attachment.....	9
Storing the arms.....	10
Turning System Off.....	10
Transport.....	11
Maintenance	
Check Daily or Before Use.....	12
Lubrication.....	12
Hydraulic Oil.....	12
Hydraulic System.....	12
GatorHyde Protective Coating.....	13
Remote Control.....	13
Power Unit.....	13
Troubleshooting.....	14

## PARTS SECTION

Standard Parts	
Common Parts.....	1.1
Dummy Arms.....	1.2
RT Parallel Squeeze Crosstube & Arms.....	1.3
XRT Crosstube & Arm Assembly.....	1.4
XRT Right Squeeze Arm.....	1.5
XRT Left Squeeze Arm.....	1.6
XRT 60 & 84 Dummy Arms.....	1.7
Hydraulics	
Dual Lift Common Hydraulics-Gen 3.....	2.1
Hydraulic Assembly Reservoir.....	2.2
Valve and Filter - Gen 3 Double Poppet.....	2.3
Valve Service Parts.....	2.4
XRT Dual Lift Hydraulics.....	2.5
Controls and Lights	
RF Control and Manual Switches.....	3.1
Clutch Control Switch.....	3.2
Lights and Harness.....	3.3
Decals	
Decals-Safety/Operation.....	4.1
600/700 Series Decals.....	4.2
XRT Decals.....	4.3
Accessories	
Swingout Lights.....	5.1
Cargo Lights.....	5.2
30" Toolbox & Fender Skirts.....	5.3
Across the Bed Toolbox.....	5.4
Front Skirt Toolbox Replacement.....	5.5
Rear View Camera Mounting Kit.....	5.6
RT Winder Complete.....	5.7
3rd Bank Rear Couplers.....	5.8
RT Spinner and Riser Assy.....	5.9
RT Winder Option.....	5.10
RT Overspin Brake Option Assy.....	5.11
Pressure Gauge Option.....	5.12
Cradle Risers, Arbor, and Locks.....	5.13
RT Dump Box.....	5.14
XRT Spinner & Riser Assembly.....	5.15
XRT Cradle Riser, Arbor, & Locks Assy.....	5.16
Appendices	
I	
GatorHyde Repair.....	6.1
II	
Remote Control.....	6.2
2-Bank - Gen 3 w/ Remote.....	6.3
3-Bank - Gen 3 w/ Remote.....	6.4
III	
HD E/H - Install Instructions.....	6.5
HD E/H Power Kit.....	6.6

# Specifications

## RT Model Specifications

MODEL	676	684	688	776	784	788
WIDTH	7'1"	7'9"	7'9"	8'	8'	8'
LENGTH	8'11"	9'8"	11'10"	8'11"	9'8"	11'10"
WEIGHT	2175#	2420#	2670#	2240#	2420#	2670#

## XRT Model Specifications

MODEL	XRT60	XRT84
WIDTH	8'5"	8'5"
LENGTH	9'11"	12'1"
WEIGHT	2900#	3150#

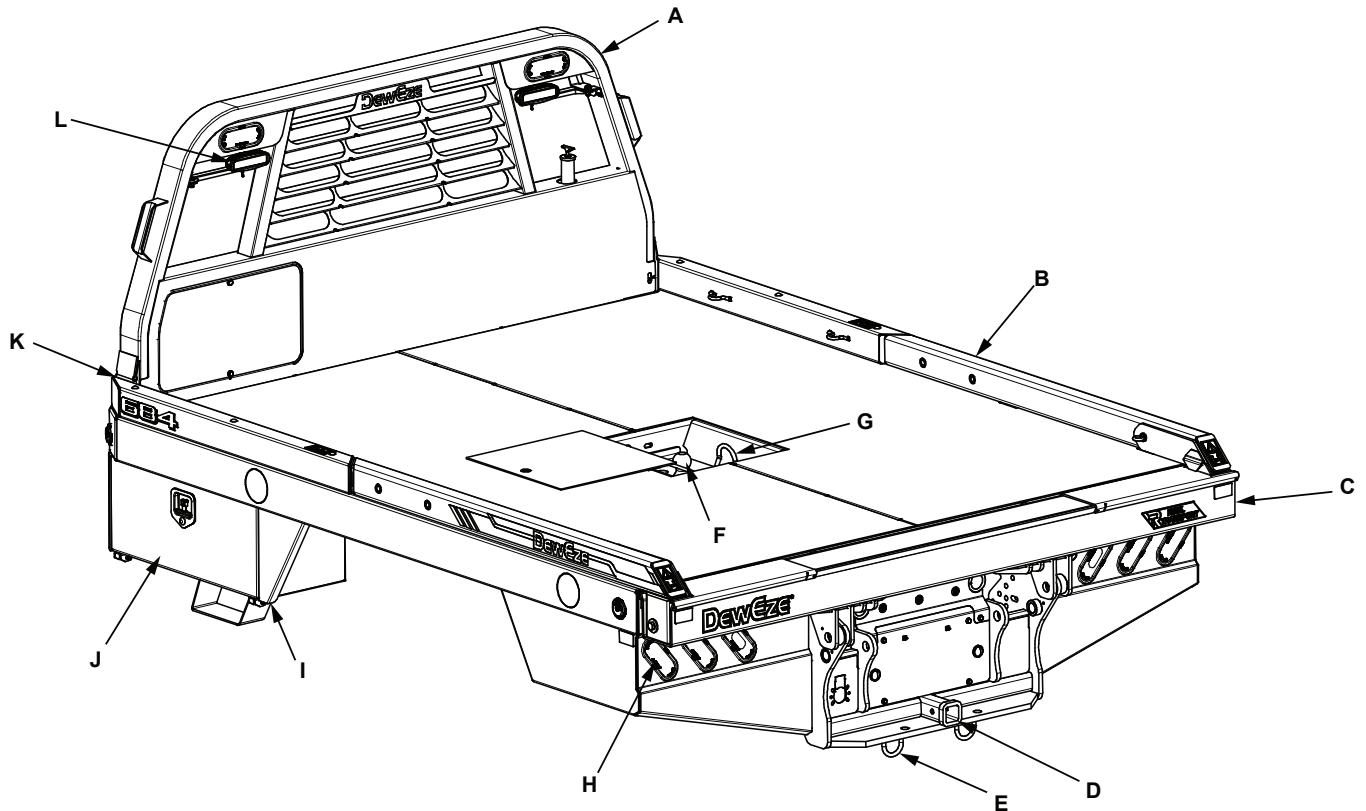
## Hydraulic System Specification

HYDRAULIC SYSTEM	Powered by engine driven pump or self-contained batter-powered electric/hydraulic unit.
SYSTEM PRESSURE	2750 psi
OIL RESERVOIR CAPACITY	10 gallons
OIL FILTER	DewEze 720043, WIX 51551 (10 micron)
CYLINDER, LIFT (2)	RT - 3.50" x 16.62" XRT - 4.00" x 15.31"
CYLINDER, SQUEEZE	2.00" x 39.25"

## Protective Coating Specifications

PAINT	Heat-treated, polyurethane based paint
GATORHYDE	Long-lasting, textured polyurea surface

## Feature Identification



**A. Headache Rack** – protects the rear pickup window. The hydraulic oil tank and valve are located in the headache rack.

**B. Hugger Arms** – squeeze together to grip the reel and lift it onto the flatbed. When the arms are stored they serve as side rails for the flatbed.

**C. Crosstube** – houses the squeeze cylinder and guides the hugger arms.

**D. Hitch Plate** – allows for a 2” square receiver hitch and has holes for hitch pins.

**E. Safety Chain Loops** – always use safety chains when towing.

**F. Gooseneck Hitch** – located under a cover plate in the middle of the bed.

**G. Safety Chain Loops** – always use safety chains when towing.

**H. Lights** – LED lighting for stop-tail-turn has long life and low current draw.

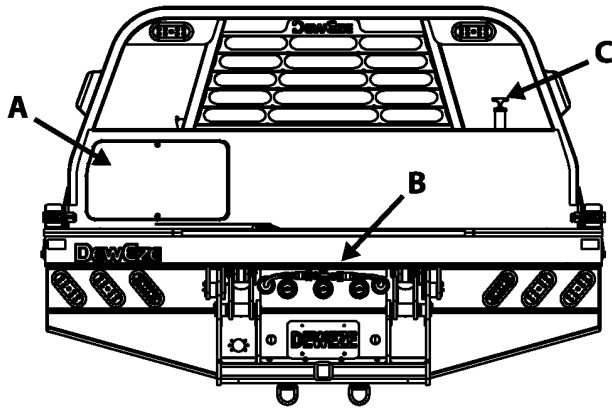
**I & J. Skirts & Toolboxes (optional)** – mount under front of bed on both sides. If equipped, the Electric/Hydraulic Power unit mounts inside the right toolbox.

**K. Dummy Arms** – serve as side rail along with hugger arms.

**L. Swing Lights (optional)** – lights can be pivoted out wider than the truck when working at night.

## Safety Guidelines

Operator safety is of utmost concern when designing and developing a new piece of equipment. Designers and manufacturers build in as many safety features as possible. However, every year many accidents occur which could have been avoided by a few seconds of thought and a more careful approach to handling equipment. Most accidents can be avoided by observing the precautions in this section. To avoid personal injury, study the safety warnings and cautions listed in this manual and follow them.

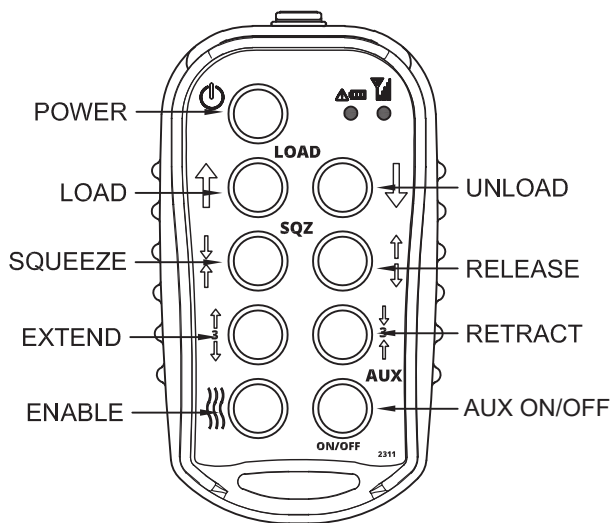


**A. Valve Compartment** – houses the hydraulic control valve and hydraulic oil filter.

**B. Pioneer Couplers** – connect hydraulic hoses to the squeeze cylinder – may also be used to connect to implements/tools.

**C. Hydraulic Oil Fill & Dipstick** – check hydraulic oil level with dipstick – fill here when necessary.

**Remote Control Transmitter** – operates all functions of the flatbed



### **SAFETY WARNING!**

Do not stand under the huger arms when operating the reel transport unit, even when arms are empty.

### **General Equipment Safety**

- This equipment can be dangerous to children and persons unfamiliar with its operation. The operator should be a responsible adult familiar with this machinery and trained for this unit.
- Do not attempt to operate equipment under the influence of drugs or alcohol.
- Do not allow persons to operate or assemble this unit until they have read this manual and have developed a thorough understanding of the safety precautions and how the unit works.
- Review the safety warnings and cautions with all users annually.

If you have any questions not answered in this manual or require additional copies, contact your dealer or Harper Industries.

### **Flatbed Operation Safety**

- Replace any CAUTION, WARNING, DANGER or instruction decal that is not readable or is missing.
- Make sure all safety pins are in place and flatbed mounting bolts are secure to the truck frame.
- Make sure hinges, joints, and sliding parts are well greased, especially during off season to prevent rusting and binding.



- Check with truck dealer for any load limits, additional suspension or tire requirements. **The flatbed's lifting capability may exceed the truck's load capacity in some instances.**

### Hydraulic Safety

- Do not operate the hydraulic system with the hood open.
- Do not activate the electric clutch unless the truck engine is at idle. Operating the clutch at road speeds can damage the hydraulic system.

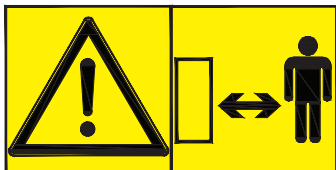


**Hydraulic system operates under high pressure and escaping fluid can penetrate the skin.**

### Safety Symbols



- Do not open or remove safety shields while vehicle/unit is running.



- Stay a safe distance from machine when in use.

## Operating Instructions

**IMPORTANT:** In cold weather, allow the engine to idle for 5-10 minutes with the pump on before operating the arms. This will allow the oil to warm up and flow more freely. Neglecting to do this may cause hydraulic pump failure.

Your DewEze Reel Transport bed is operated by hydraulics that are powered from a belt driven hydraulic pump (CPK), a transmission mounted pump (PTO), or an electric over hydraulic system. DewEze is the manufacturer/provider of the CPK or E/H system. For operation use of a PTO, please refer to your PTO provider.

### Getting Started

The hydraulic flow is made available via the upfitter switches located in the cab of the truck. One switch is to provide power to the valve, the other switch is used to turn on the pump. Both switches must be in the ON position for any bed functions to be performed. The operator can control the functions of the arms (load/unload, and arms squeeze in and out) via the switches located on the front side of the headache rack, located on the driver's side. These functions can also be controlled via a wireless remote.

## Arbor and Riser Attachment Beginning Operation

- Place 12" cradles on hugger arms where desired and secure with 4" pins.
- Slide arbor into reel and secure with one of the L-shaped pins.
- Turn pump switch on the dash to the "ON" position. (Red light will indicate the pump is on).

## Loading

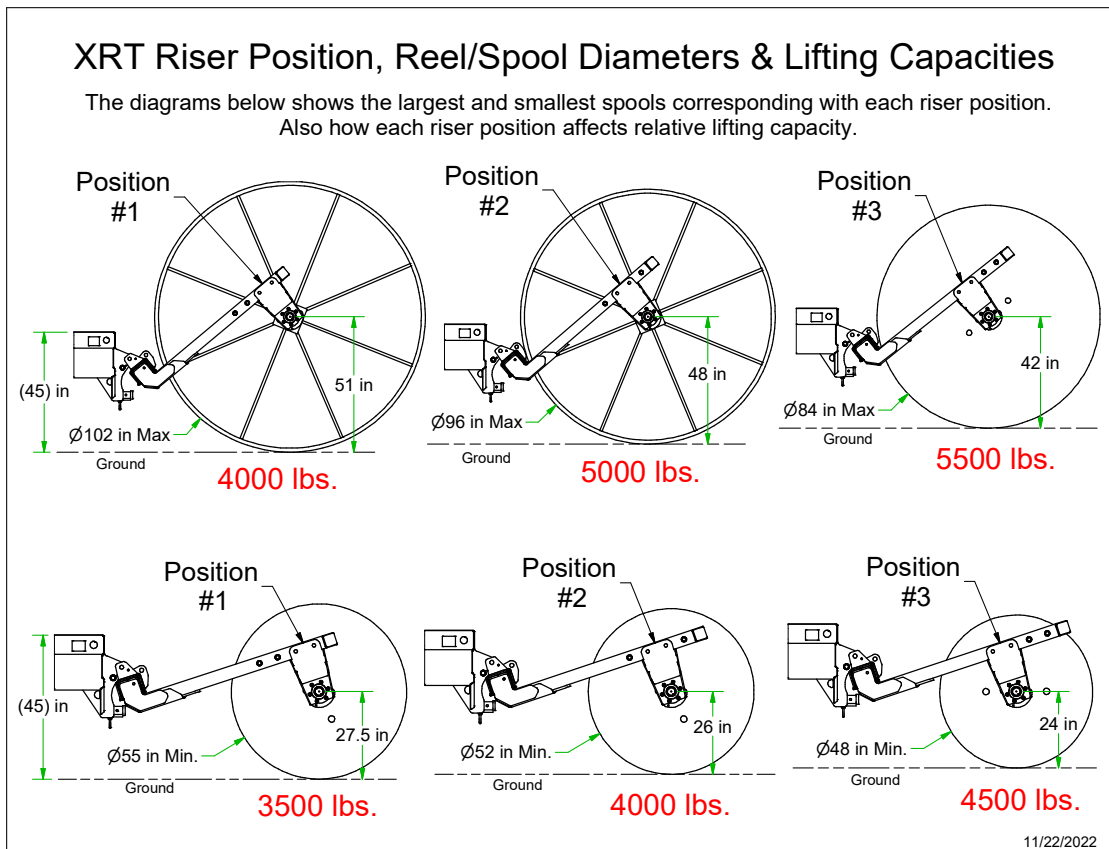
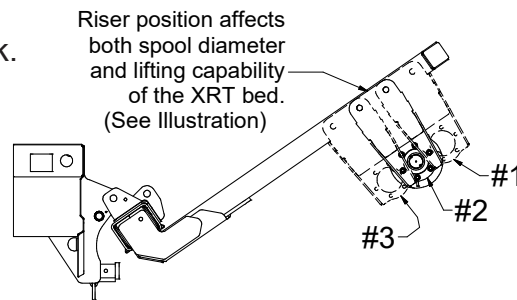
- Back the truck towards the reel with the arms spread apart.
- Position the cradles over the shaft and lower until they are fully seated.
- Secure the shaft in the cradles with the L-shaped pins.
- Lift the reel onto the truck.

## Unloading

- To unload, do the reverse of the loading operation.

## Pay-out

- Position the truck on as level terrain as possible and parallel to the direction the cable will be pulled, then set the parking brake.
- Pick the reel up a few inches off the flatbed so it will turn freely.
- The pump may be turned off during the unrolling operation.
- Take precautions necessary to ensure that the reel unrolls smoothly.
- Begin pay-out.



## Reel Power Attachment

In order to use the hydraulic winder attachment, a third bank valve must be installed.

For best performance, the Deweze CPK system is recommended. The Reel Power attachment requires a hydraulic system capable of providing 4-5 gpm. Reduced flow will result in diminished speed. **Do not exceed 8 gpm.**

- The hydraulic winder attachment is stored in the passenger side, under-body toolbox. This attachment should be placed in the rear stake pocket of the bed. Note: you must raise the arms off the bed in order to access the stake pocket. **DO NOT DRIVE ON PUBLIC ROADS WITH WINDER VALVE ASSEMBLY IN THE STAKE POCKET.**
- Clean hydraulic fittings prior to connecting the valve to the hydraulic motor and the couplers on the rear of the body. Tailboard couplers are a push/pull operation, motor couplers slide the sleeve forward or backward to insert or remove.

**Note: It may be necessary to reverse the tailboard couplers if the flow is in the wrong direction.**

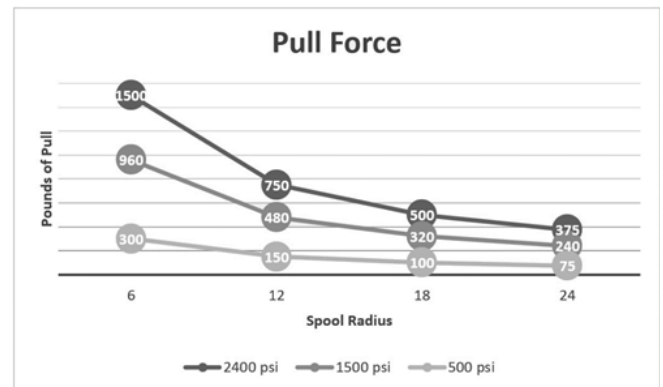
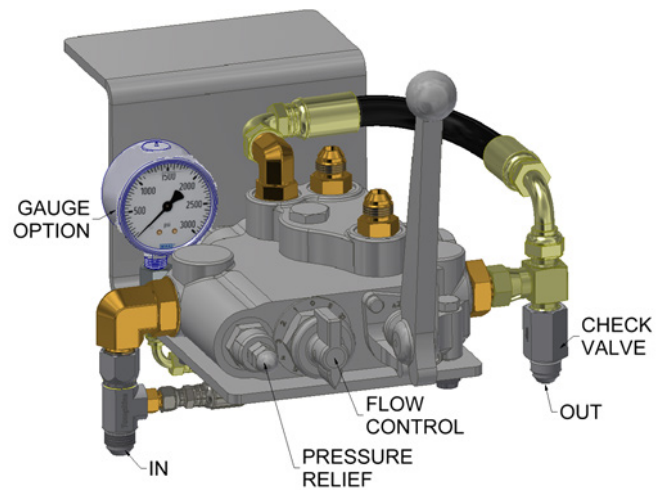
- To operate the winder, the third bank latching switch must be turned on, this is located on the front side of the headache rack on the driver's side or the AUX button on the remote. This provides oil flow to the winder valve.

**Note: The load/unload and squeeze/un-squeeze functions should not be operated when third bank latching function is ON.**

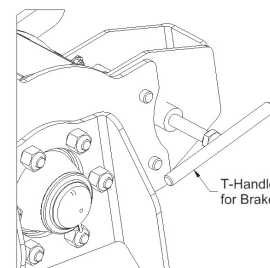
The hydraulic winder valve is a manual valve that can be used to pay out or take up. There is also a flow control that will allow the operator to adjust the speed of rotation based upon the situation.

**Note: always start out with the flow control in the lowest setting.**

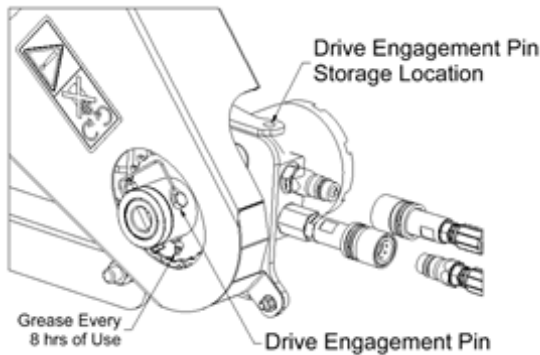
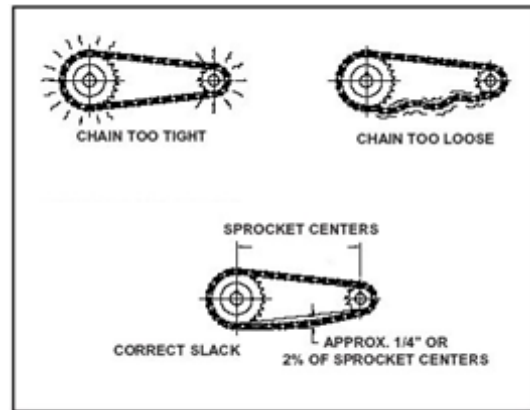
- There is an optional pressure gauge that can be installed to monitor pressure applied to the material being pulled.



Your winder attachment comes with a brake system that can be manually adjusted to reduce the amount of backlash.



- For take up the drive engagement pin must be installed.
- If you are free spooling material off the reel, the drive engagement pin that couples the hydraulic motor to the reel, must be removed. This will allow the reel to spin freely, not fighting the hydraulics of the system.
- The drive engagement pin should be stored when not in use or during transport..



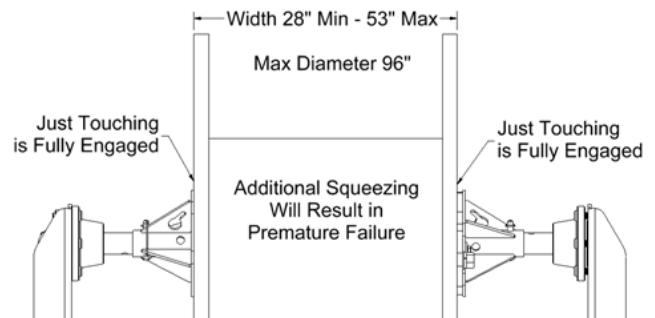
When the take up/pay out operation is complete, the pressure must be relieved from the valve before disconnecting.

To relieve pressure, follow this procedure:

- Turn off the upfitter switch for the pump, leave the upfitter switch that provides power to the valve ON.
- Move the take up valve both directions to relieve any pressure. Turn off the third bank and operate the load/unload and squeeze/unsqueeze functions to remove all system pressure.
- At this point in time the hydraulic lines can be disconnected from the hydraulic motor and the tailboard.

**NOTE: Inspect drive chain prior to operation. Please refer to picture to ensure proper tension.**

**NOTE: When engaging spindles with the reels, adjust pins on anti-spin bar to align with drive holes on spool, **do not over squeeze**. Only penetrate the reels to the point that you are resting against the flat face of the spindle. Over squeezing the reel will result in premature arm failure.**



**NOTE: Do not lift reels that will exceed the vehicles GVRW.**

### Storing the Arms

- Close the arms partially and lay them on the flatbed.
- Open arms until they are flush with the side of the bed. They now function with the dummy arms as the bed's side rails.

### Turn System Off

- Turn the pump off when it is not in use.

**CAUTION: Operating the truck at road speeds, or above 2,000 RPM, with the pump engaged, may cause hydraulic pump failure.**

## Transport



When hauling a reel, make sure it is resting on the flatbed and is tightly secured. Carrying a reel behind the bed, places excessive stress on the lift cylinder, linkage, pins and shaft. Dislocation of a reel could result in serious injury or death to passengers of vehicles following behind.

When transporting reels on public roads, it is recommended to secure the arms such that, in the event of a hydraulic failure, the reel cannot come loose from the bed.

**NOTE: Check with local DOT for required load securement practices.**

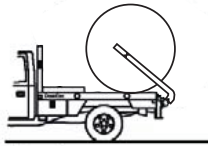


Fig. 1



Fig. 2

**CAUTION: Do not exceed GVRW rating of truck when loading.**

# Maintenance

## Check Daily or Before Use

- Check the hydraulic oil level. Keep the level to “FULL” on the dipstick.
- Check the belt, belt tensioner and idler pulleys on engine clutch pump system.
- Examine the hydraulic hoses for leaks with an object such as cardboard.



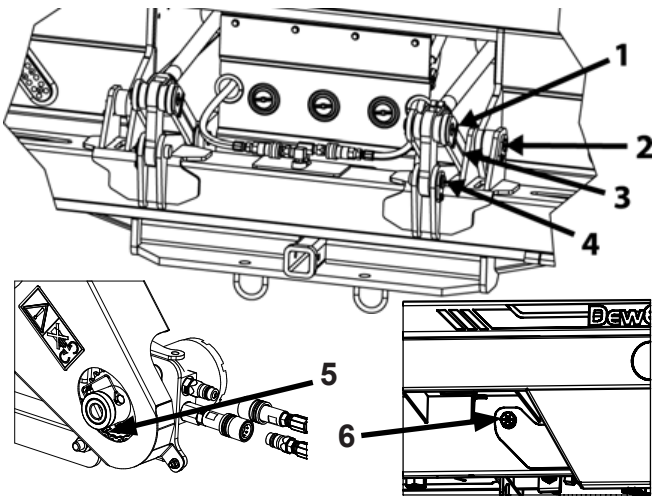
### **SAFETY WARNING!**

Hydraulic fluid escaping under pressure can penetrate the skin and may cause death if not treated immediately.

## Lubrication

Grease the locations indicated in the illustrations below once per week while the unit is in use and at the end of each season (same locations on right and left).

1. Lift cylinder – rod end
2. Cross-tube hinge
3. Idler arm base
4. Idler link pin
5. Winder Drive Couple
6. Lift cylinder – base end

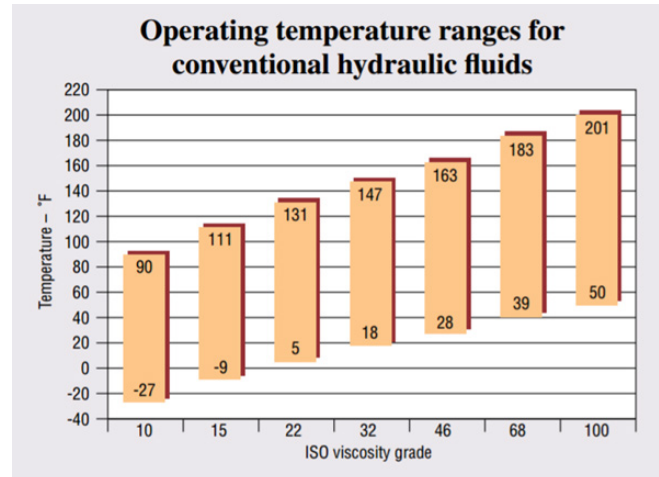


### **SAFETY WARNING!**

Use extreme caution when greasing the flatbed. Completely lower arms to expose rear zerks and turn off ignition.

## Hydraulic Oil

- Hydraulic fluid selection will affect the performance of the hydraulic system.



- Consult your local oil supplier for help in selection of a hydraulic fluid appropriate for your area. Consideration will also need to be given as to whether the system is a clutch pump or electric over hydraulic.
- Change the hydraulic oil filter after the first 40 hours of use and then every 250 hours, or annually thereafter.
- Change the hydraulic oil if it becomes contaminated or turns milky in appearance.
- In cold weather (below 10°F), use hydraulic oil that is specifically rated for cold weather.
- If other hydraulic equipment is attached to the bed, the oil will intermix and cold weather viscosity may be lost.

## Hydraulic System

- If the quick-couplers leak, the o-rings may need to be replaced.
- High heat, 190° or greater, can be damaging to the hydraulic system. Feel various parts of the system to make sure there are no “hot spots” which may indicate a problem.
- In the off season, run the bed at least twice a month to prevent valve condensation.

- For easy hookup of the couplers, turn the pump switch off and activate the control valve switches with the ignition on. This will release pressure in the lines.

### **GatorHyde Protective Coating**

- In the event that damage should occur to the GatorHyde protective coating, repair materials are available from your DewEze dealer to fix small areas. Follow the instructions provided in Appendix I.

### **Remote Control**

- The remote control transmitter has two LED indicators, the green TRANSMIT indicator and the red BATTERY / DIAGNOSTIC indicator.
- The green TRANSMIT indicator flashes rapidly whenever there is communication between the transmitter and the receiver.
- The red BATTERY / DIAGNOSTIC indicator starts blinking once every second when the battery voltage is low and requires replacement. It also blinks when there is a problem with the system in the form of an error code. Refer to the ERROR CODE CHART in Appendix II.
- To synchronize a new transmitter and receiver together, refer to the TEACH ID CODE instructions in Appendix II.

### **Power Unit**

- If the flatbed is powered with a DewEze Under-the-Hood hydraulic system, refer to the following chart when troubleshooting.
- See Appendix III if the flatbed is powered with the Electric/Hydraulic power unit.

# Troubleshooting

Problem	Symptom	Possible Solution
Hydraulic Pump	No Oil Flow	<ul style="list-style-type: none"> <li>• CHECK OIL LEVEL IN RESERVOIR. If oil level is low, check for leaks in system. Then, refill to FULL.</li> <li>• CHECK BELT TENSION. Replace tensioner or tighten idlers if needed. Replace belt if it is worn.</li> <li>• CHECK FOR SHEARED KEY ON PUMP SHAFT. Replace key.</li> <li>• CHECK IF SUCTION HOSE COLLAPSES IN SUCTION. Locate and remove the obstruction.</li> <li>• CLUTCH NOT FUNCTIONING. See possible clutch solutions.</li> <li>• INTERNAL PUMP DAMAGED. <b>Seek assistance from a dealer.</b></li> </ul>
Hydraulic Pump	No Oil Pressure	<ul style="list-style-type: none"> <li>• HYDRAULIC OIL LEAKS IN SYSTEM. Take safety precautions and check for leaks. Tighten fittings and replace damaged hoses.</li> <li>• CHECK FOR MALFUNCTIONING SWITCH. Replace switches.</li> <li>• BELT OR CLUTCH MAY BE SLIPPING. Replace tensioner or tighten idlers if needed. Replace belt if it is worn.</li> <li>• VALVE NOT FUNCTIONING. Check for disconnected wires at the solenoid or for rusted ground wires. <b>Seek assistance from a dealer if the valve continues to be unresponsive.</b></li> <li>• PUMP IS WORN OR DAMAGED. <b>Seek assistance form dealer.</b></li> </ul>
Clutch	Does Not Engage	<ul style="list-style-type: none"> <li>• CHECK FOR BLOWN FUSE. Replace fuse. <b>CAUTION: FUSE SHOULD NOT EXCEED 30 AMPS.</b></li> <li>• CHECK WIRE TO CLUTCH. Insure there are not breaks or shorts.</li> <li>• CHECK FOR BAD SWITCHES IN SYSTEM. Replace switches.</li> <li>• CLUTCH IS WORN OUT. <b>Seek assistance form dealer.</b></li> </ul>
Belt(s)	Jumps Off Pulley	<ul style="list-style-type: none"> <li>• BELT(S) TOO LOOSE. Replace tensioner or tighten idler pulleys.</li> <li>• CHECK FOR EXCESSIVE BELT WEAR. Replace worn belt(s).</li> <li>• CHECK FOR LOOSE PUMP BRACKET. Tighten loose bolts. Replace broken bolts.</li> <li>• CHECK CRANKSHAFT PULLEY FOR LOOSE OR BROKEN BOLTS. Tighten loose bolts. Replace broken bolts.</li> <li>• CHECK ALIGNMENT OF IDLER PULLEYS AND CONDITION OF BEARINGS. Re-align idler pulleys or replace worn idler pulleys.</li> <li>• CHECK ALIGNMENT OF CLUTCH AND CRANKSHAFT PULLEY. <b>If misalignment is visible, seek assistance from dealer.</b></li> </ul>



**Use extreme caution when inspecting an engine. Serious injury or death could result from getting too close! Remove key from ignition when servicing.**



# DewEze®

## RT & XRT FLATBED

# PARTS



# Table of Contents

## PARTS SECTION

### Standard Parts

Common Parts.....	1.1
Dummy Arms.....	1.2
RT Parallel Squeeze Crosstube & Arms.....	1.3
XRT Crosstube & Arm Assembly.....	1.4
XRT Right Squeeze Arm.....	1.5
XRT Left Squeeze Arm.....	1.6
XRT 60 & 84 Dummy Arms.....	1.7

### Hydraulics

Dual Lift Common Hydraulics-Gen 3.....	2.1
Hydraulic Assembly Reservoir.....	2.2
Valve and Filter - Gen 3 Double Poppet.....	2.3
Valve Service Parts.....	2.4
XRT Dual Lift Hydraulics.....	2.5

### Controls and Lights

RF Control and Manual Switches.....	3.1
Clutch Control Switch.....	3.2
Lights and Harness.....	3.3

### Decals

Decals-Safety/Operation.....	4.1
600/700 Series Decals.....	4.2
XRT Decals.....	4.3

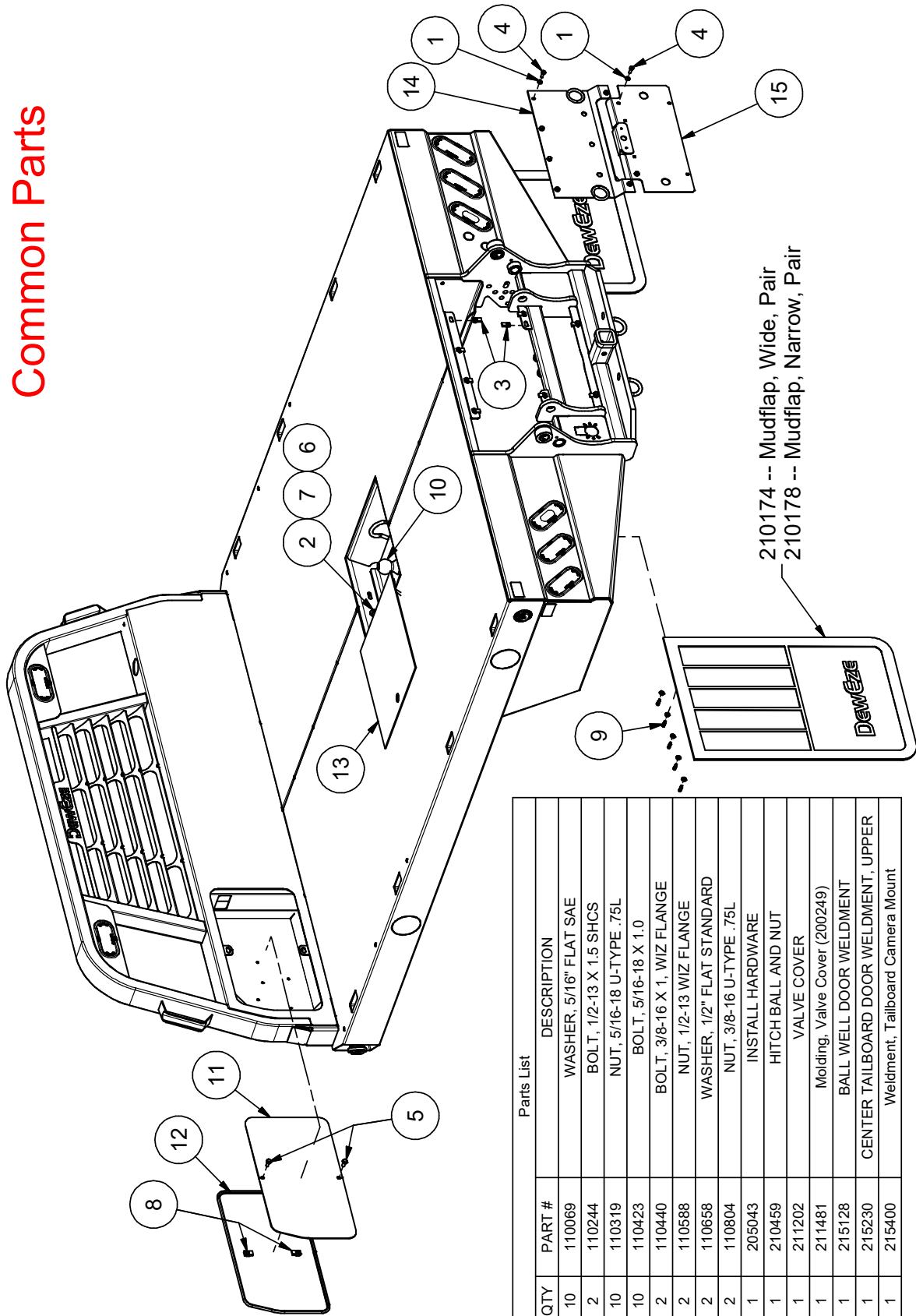
### Accessories

Swingout Lights.....	5.1
Cargo Lights.....	5.2
30" Toolbox & Fender Skirts.....	5.3
Across the Bed Toolbox.....	5.4
Front Skirt Toolbox Replacement.....	5.5
Rear View Camera Mounting Kit.....	5.6
RT Winder Complete.....	5.7
3rd Bank Rear Couplers.....	5.8
RT Spinner and Riser Assy.....	5.9
RT Winder Option.....	5.10
RT Overspin Brake Option Assy.....	5.11
Pressure Gauge Option.....	5.12
Cradle Risers, Arbor, and Locks.....	5.13
RT Dump Box.....	5.14
XRT Spinner & Riser Assembly.....	5.15
XRT Cradle Riser, Arbor, & Locks Assy.....	5.16

### Appendices

I	GatorHyde Repair.....	6.1
II	Remote Control.....	6.2
	2-Bank - Gen 3 w/ Remote.....	6.3
	3-Bank - Gen 3 w/ Remote.....	6.4
III	HD E/H - Install Instructions.....	6.5
	HD E/H Power Kit.....	6.6

# 600 & 700 RT Series Common Parts



210174 -- Mudflap, Wide, Pair  
210178 -- Mudflap, Narrow, Pair

Parts List

ITEM	QTY	PART #	DESCRIPTION
1	10	110069	WASHER, 5/16" FLAT SAE
2	2	110244	BOLT, 1/2-13 X 1.5 SHCS
3	10	110319	NUT, 5/16-18 U-TYPE .75L
4	10	110423	BOLT, 5/16-18 X 1.0
5	2	110440	BOLT, 3/8-16 X 1, WIZ FLANGE
6	2	110588	NUT, 1/2-13 WIZ FLANGE
7	2	110658	WASHER, 1/2" FLAT STANDARD
8	2	110804	NUT, 3/8-16 U-TYPE .75L
9	1	205043	INSTALL HARDWARE
10	1	210459	HITCH BALL AND NUT
11	1	211202	VALVE COVER
12	1	211481	Molding, Valve Cover (200249)
13	1	215128	BALL WELL DOOR WELDMENT
14	1	215230	CENTER TAILBOARD DOOR WELDMENT, UPPER
15	1	215400	Weldment, Tailboard Camera Mount

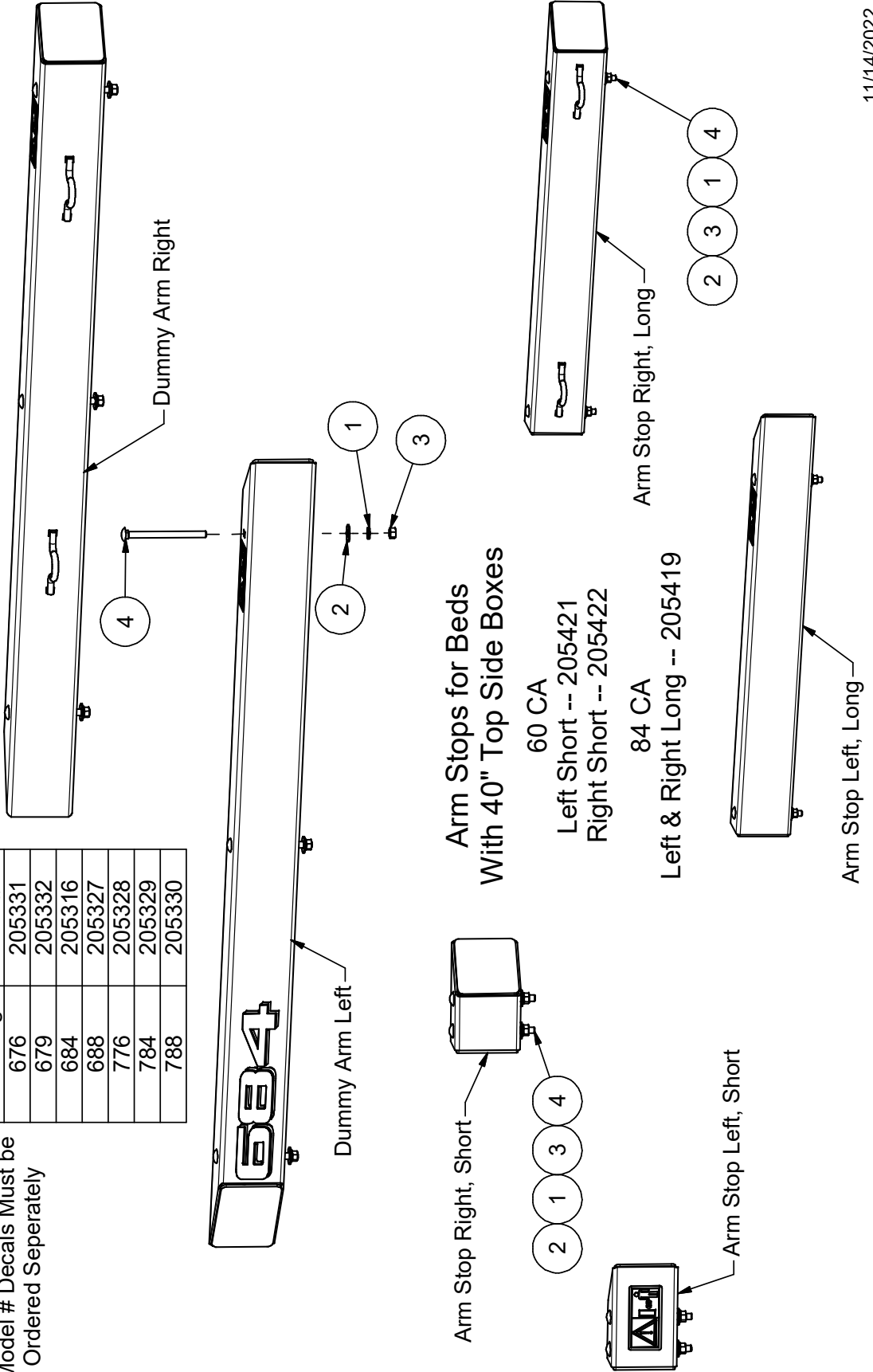
6/30/2021

# 600 & 700 RT Series Dummy Arms & Arm Stops

Parts List	
ITEM	DESCRIPTION
1	WASHER, 3/8" LOCK
2	WASHER, 3/8" FLAT STANDARD
3	NUT, 3/8-16 GR 5
4	Bolt, 3/8-16 X 5 in Carriage

Dummy Arms	
Left or Right	Part #
676	205331
679	205332
684	205316
688	205327
776	205328
784	205329
788	205330

\* Model # Decals Must be Ordered Separately



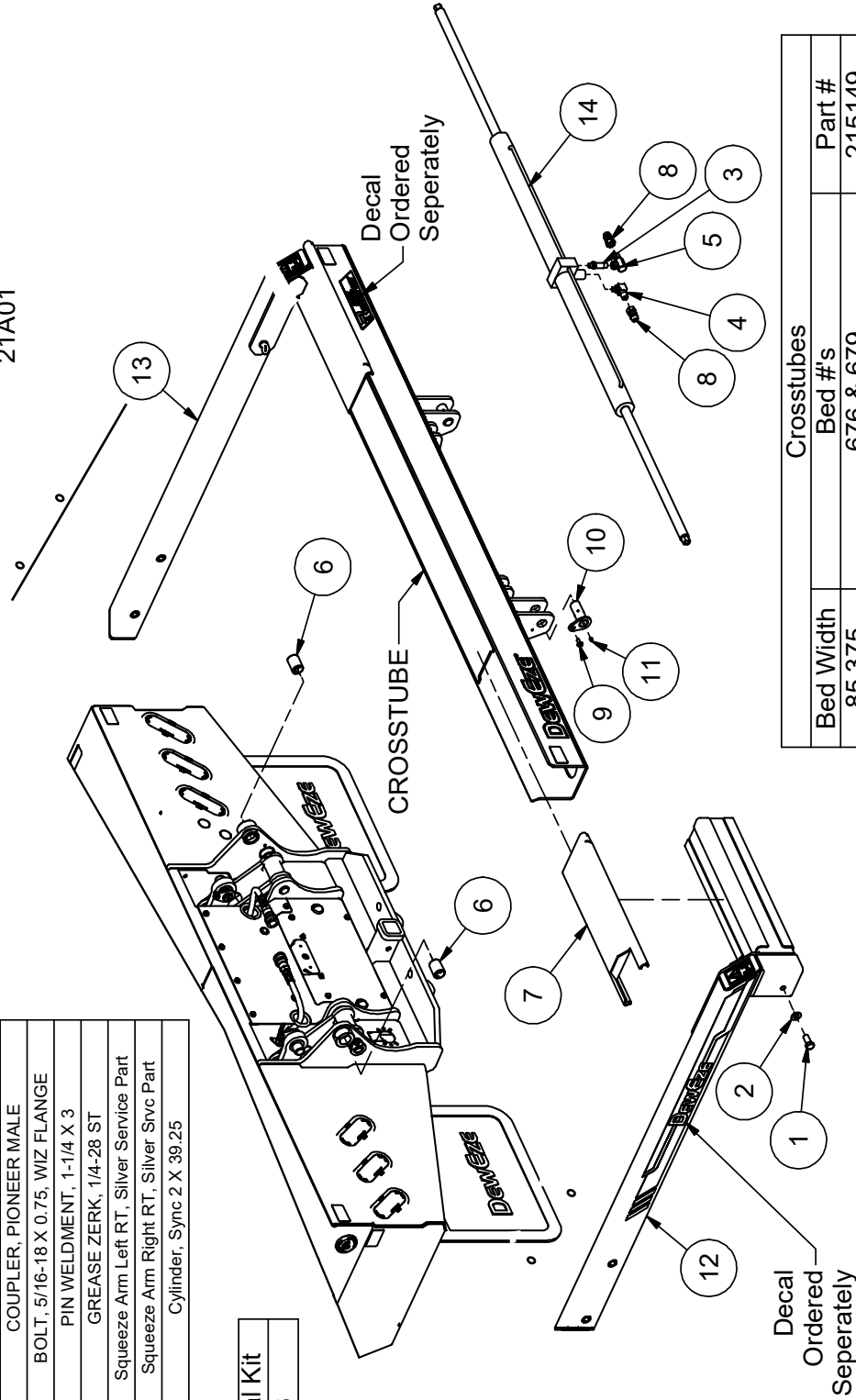
# Reel Transport Parallel Squeeze Crosstube & Arms

Starting S/N  
21A01

Parts List

ITEM	QTY	PART #	DESCRIPTION
1	2	110365	BOLT, 5/8-18 X 1.5 GR 5
2	2	110663	WASHER, 5/8" FLAT SAE
3	1	120078	ADAPTER, 6MB-6MP (3/8 X 2-1/2)
4	1	120147	ADAPTER, 6MB-8MP90
5	1	120311	ADAPTER, 8MP-6FPX90
6	2	202023	BUSHING, 1.5 X 1.25 X 2.0 SPLIT CG/ID
7	2	211292	SHIELD, CROSSARM
8	2	420005	COUPLER, PIONEER MALE
9	10	110444	BOLT, 5/16-18 X 0.75, WIZ FLANGE
10	2	215140	PIN WELDMENT, 1-1/4 X 3
11	8	510174	GREASE ZERK, 1/4-28 ST
12	1	211993	Squeeze Arm Left RT, Silver Service Part
13	1	211994	Squeeze Arm Right RT, Silver Svc Part
14	1	223026	Cylinder, Sync 2 X 39.25

Squeeze Cyl Seal Kit  
Part# 220056



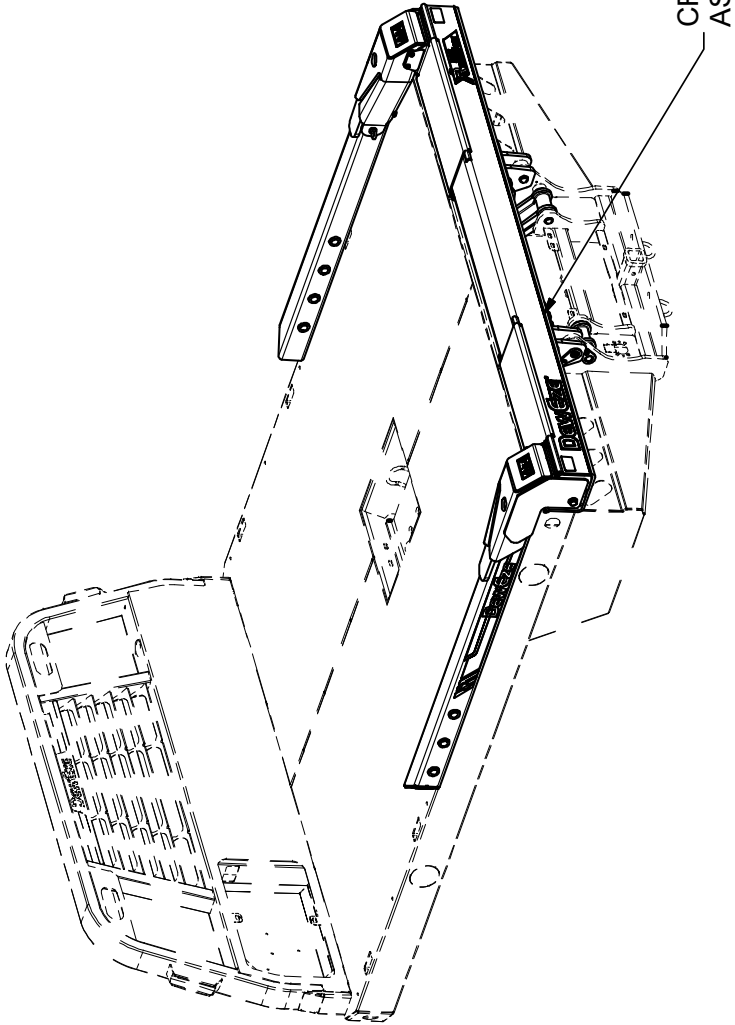
Crosstubes		
Bed Width	Bed #'s	Part #
85.375	676 & 679	215149
93.0	684 & 688	215162
96.5	776, 784 & 788	215138

3/21/2022

205409 REV: A

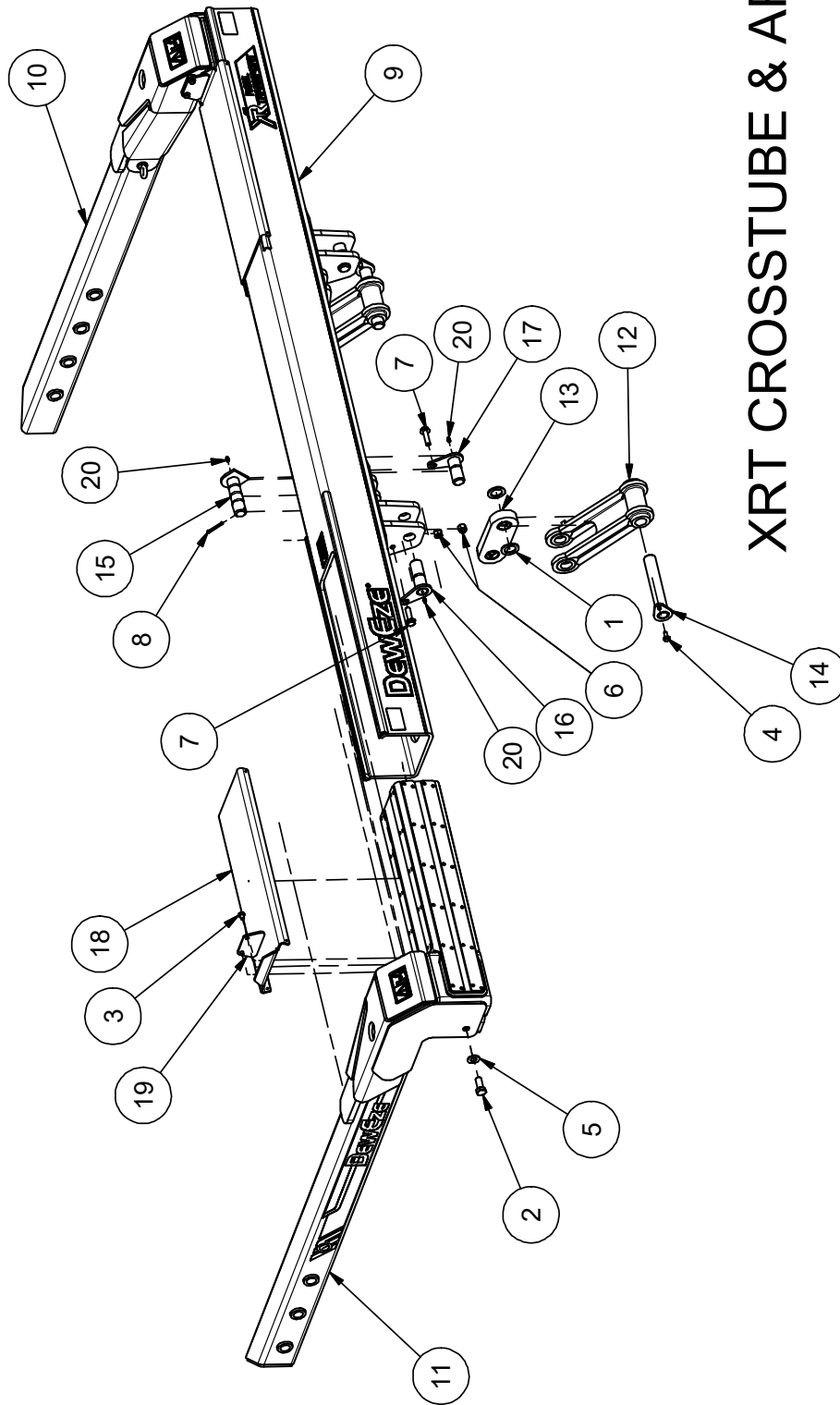
Parts List

ITEM	QTY	PART #	DESCRIPTION
1	4	110336	WASHER, 1-1/4" FLAT MACHINE
2	2	110365	BOLT, 5/8-18 X 1.5 GR 5
3	4	110426	BOLT, 5/16-18 X 0.5, WIZ FLANGE
4	2	110444	BOLT, 5/16-18 X 0.75, WIZ FLANGE
5	2	110663	WASHER, 5/8" FLAT SAE
6	4	111034	NUT, 1/2-13 LOCK NYLON
7	4	111209	BOLT, 1/2-13 X 1.75, WIZ FLANGE, Gr 8
8	2	200150	ROLL PIN, 1/4 X 2
9	1	205405	Crosstube XRT, Service Part
10	1	205406	Squeeze Arm Right, XRT
11	1	205407	Squeeze Arm Left, XRT
12	2	210935	Idler Arm, Machined
13	2	214012	Push Arm Assy, XRT
14	2	215141	PIN WELDMENT, 1-1/4 X 7
15	2	215142	PIN WELDMENT, 1-1/4 X 4
16	2	215427	Weldment, Crosstube Hinge Pin, 1-1/4
17	2	215428	Weldment, Crosstube Link Pin, 1-1/4
18	2	270102	Shield, XRT
19	2	270105	Shield Bracket
20	6	510174	GREASE ZERK, 1/4-28 ST



XRT CROSSTUBE & ARMS ASSEMBLY

Parts List		Parts List		Parts List							
ITEM	QTY	PART #	DESCRIPTION	ITEM	QTY	PART #	DESCRIPTION	ITEM	QTY	PART #	DESCRIPTION
1	4	110336	WASHER, 1-1/4" FLAT MACHINE	8	2	200150	ROLL PIN, 1/4 X 2	15	2	215142	PIN WELDMENT, 1-1/4 X 4
2	2	110365	BOLT, 5/8-18 X 1.5 GR 5	9	1	205405	Crosstube XRT, Service Part	16	2	215427	Weldment, Crosstube Hinge Pin, 1-1/4
3	4	110426	BOLT, 5/16-18 X 0.5, WIZ FLANGE	10	1	205406	Squeeze Arm Right, XRT	17	2	215428	Weldment, Crosstube Link Pin, 1-1/4
4	2	110444	BOLT, 5/16-18 X 0.75, WIZ FLANGE	11	1	205407	Squeeze Arm Left, XRT	18	2	270102	Shield, XRT
5	2	110663	WASHER, 5/8" FLAT SAE	12	2	210935	Idler Arm, Machined	19	2	270105	Shield Bracket
6	4	111034	NUT, 1/2-13 LOCK NYLON	13	2	214012	Push Arm Assy, XRT	20	6	510174	GREASE ZERK, 1/4-28 ST
7	4	111209	BOLT, 1/2-13 X 1.75, WIZ FLANGE, Gr 8	14	2	215141	PIN WELDMENT, 1-1/4 X 7				



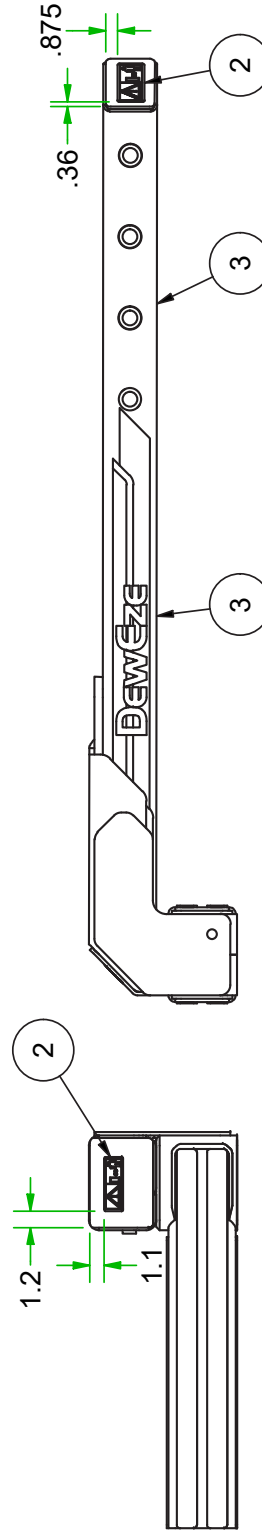
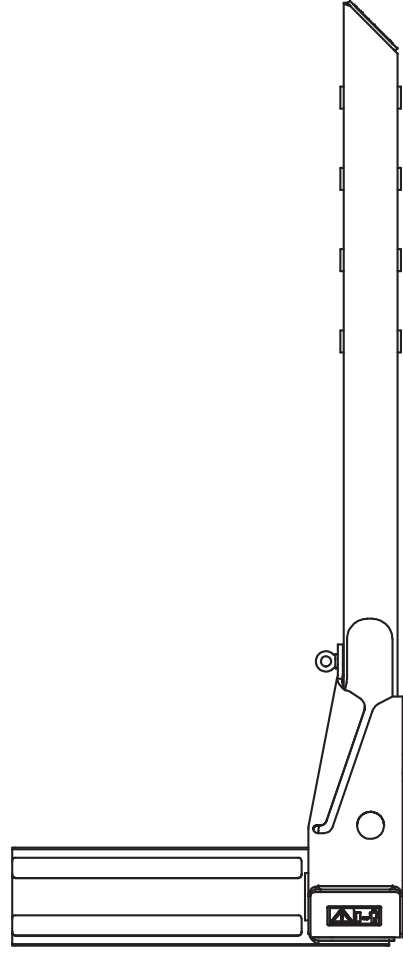
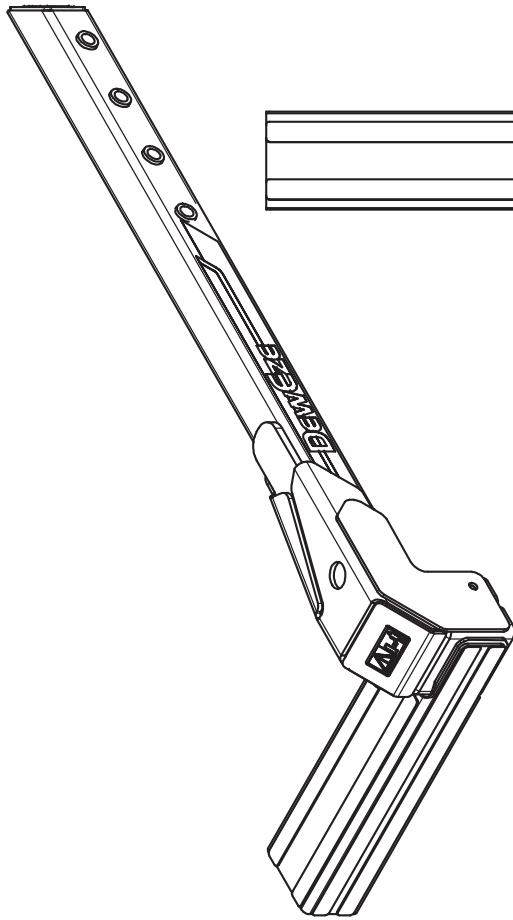
XRT CROSSTUBE & ARMS



205406 REV: NC

Parts List

ITEM	QTY	PART #	DESCRIPTION
1	1	202112	Decal, Hugger Arm, Right
2	2	202144	Decal, Safe Distance, Horizontal
3	1	275046	Weldment, XRT Squeeze Arm, Right



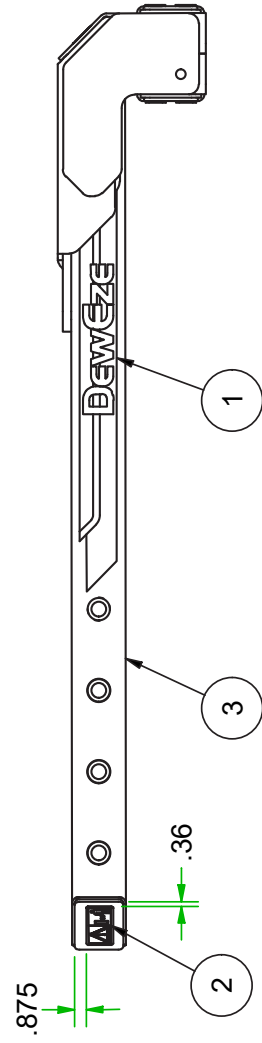
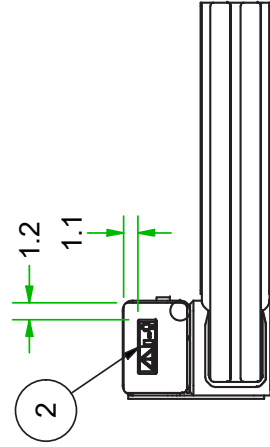
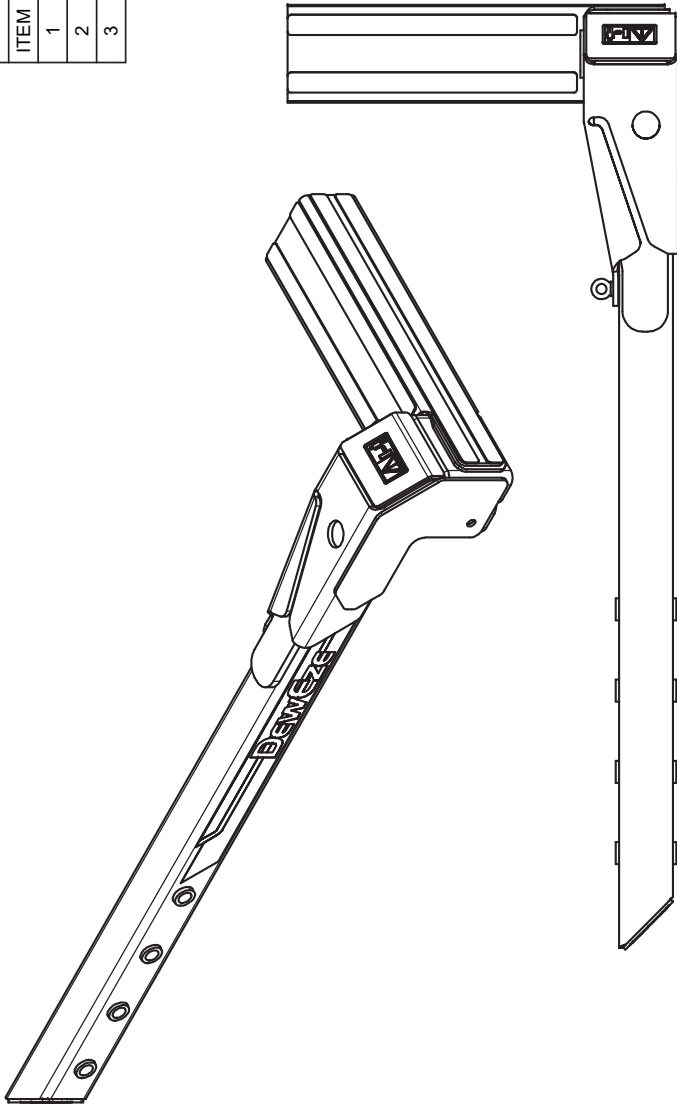
XRT RIGHT SQUEEZE ARM

205407

REV: NC

Parts List

ITEM	QTY	PART #	DESCRIPTION
1	1	202111	Decal, Hugger Arm, Left
2	2	202144	Decal, Safe Distance, Horizontal
3	1	275045	Weldment, XRT Squeeze Arm, Left

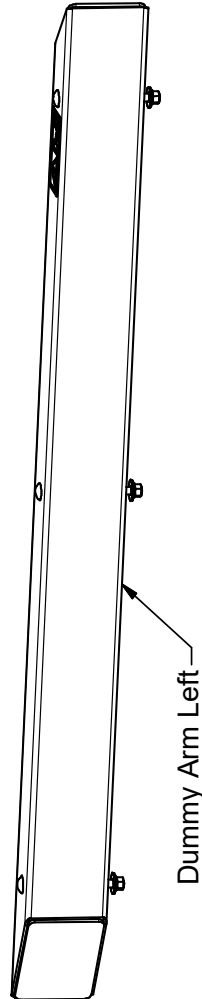
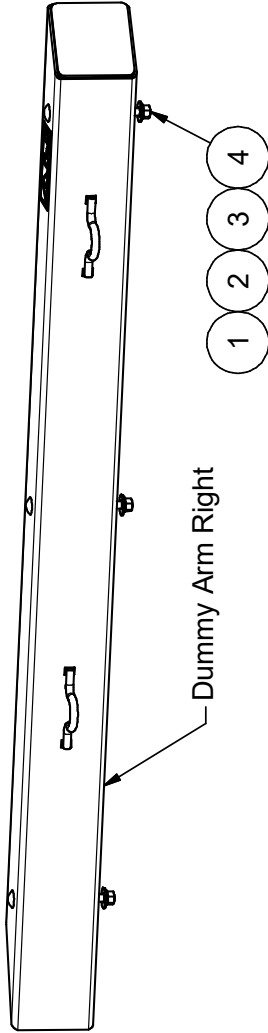


XRT LEFT SQUEEZE ARM

# XRT 60 & 84 Dummy Arms & Arm Stops

Parts List	
ITEM	DESCRIPTION
1	WASHER, 3/8" LOCK
2	WASHER, 3/8" FLAT STANDARD
3	NUT, 3/8-16 GR 5
4	Bolt, 3/8-16 X 5 in Carriage

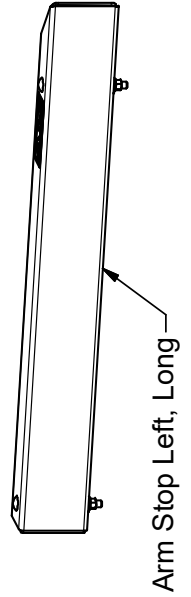
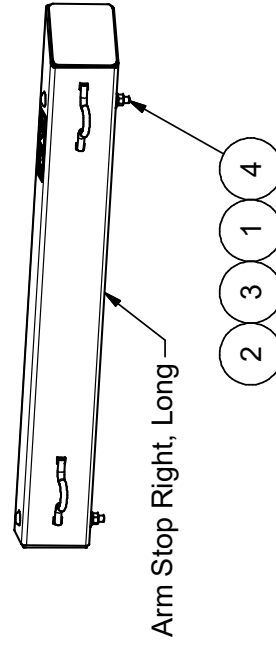
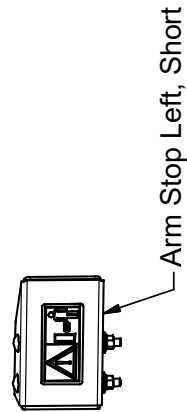
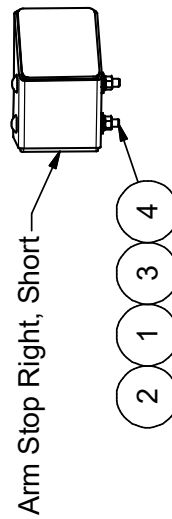
Dummy Arms	
Left or Right	Part #
XRT60	205316
XRT84	205327



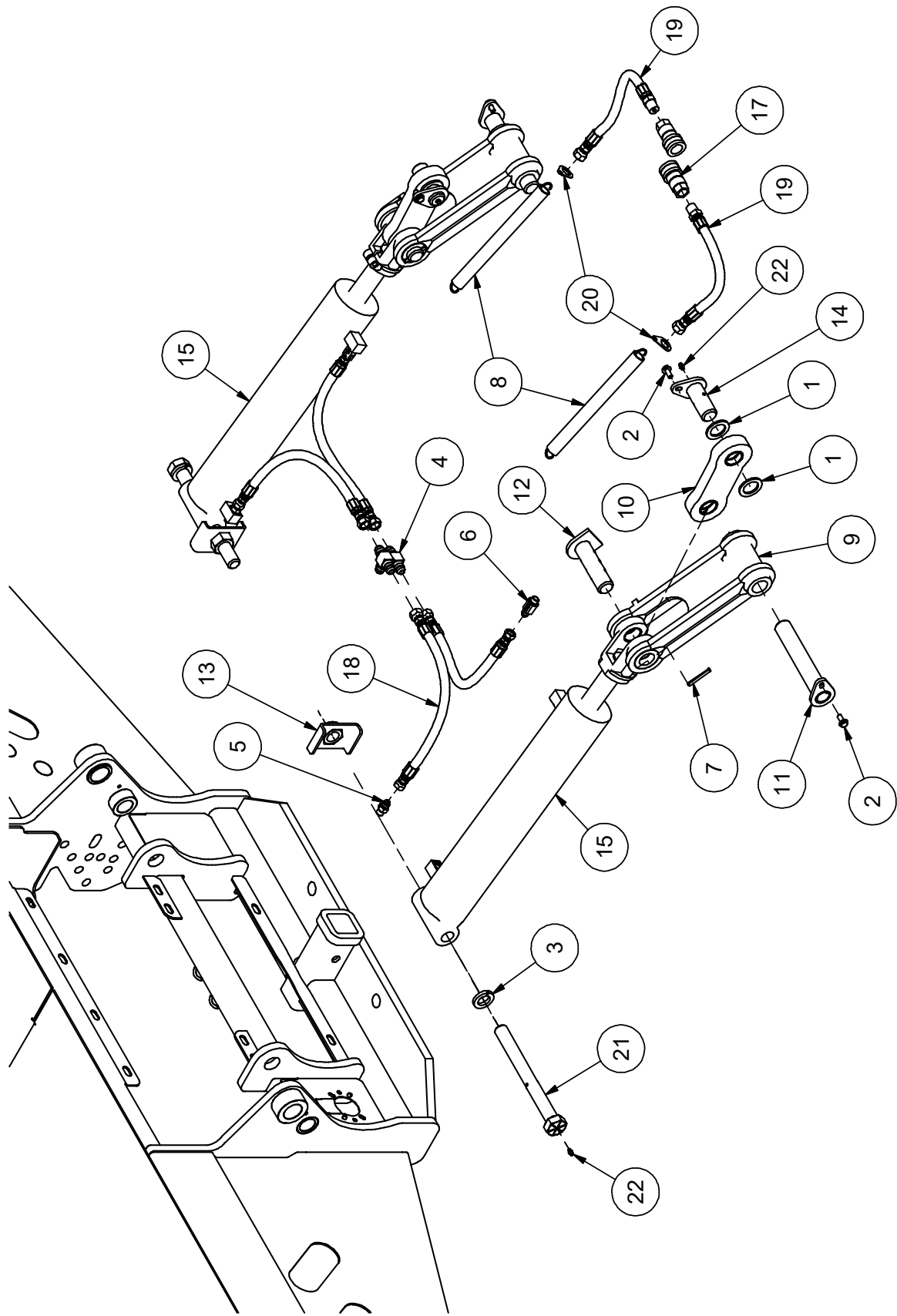
Arm Stops for Beds  
With 40" Top Side Boxes

60 CA  
Left Short -- 205421  
Right Short -- 205422

84 CA  
Left & Right Long -- 205419



# Dual Lift RT Hydraulics



6/29/2021

# Dual Lift RT Hydraulics

Dual Lift Cylinders
Production Part# 223038
Seal Kit Part# 212012

Parts List			
ITEM	QTY	PART #	DESCRIPTION
1	4	110336	WASHER, 1-1/4" FLAT MACHINE
2	4	110444	BOLT, 5/16-18 X 0.75, WIZ FLANGE
3	2	110649	WASHER, 1" LOCK
4	2	120242	ADAPTER, 8MJ-8MJ-8MJ
5	2	120319	ADAPTER, 6MJ-6MB
6	2	120693	ADAPTER - VELOCITY, 4 GPM, 6MB-6MJ
7	2	200150	ROLL PIN, 1/4 X 2
8	2	202022	SPRING, 1" O.D. X 12" L X .105 WIRE
9	2	210935	Idler Arm, Machined
10	2	214002	PUSH ARM ASSY, DUAL LIFT
11	2	215141	PIN WELDMENT, 1-1/4 X 7
12	2	215142	PIN WELDMENT, 1-1/4 X 4
13	2	215144	KEEPER, 1 IN NUT, WELDMENT
14	2	215148	PIN WELDMENT, CROSS TUBE LINK
15	2	223038	LIFT CYLINDER 3.50 X 16:6
16	1	223051	Hydraulic Hose Kit, Common
18	0	220681	HOSE ASSY, FLATBED DUAL LIFT
17	0	220084	COUPLER, PIONEER FEMALE
19	0	220682	HOSE ASSY, FLATBED SQUEEZE SHORT
20	2	260111	MOUNT, HOSE SPRING
21	2	260760	Bolt, 1-8 x 10, Greasable
22	6	510174	GREASE ZERK, 1/4-28 ST

## 600 - 700 WITH GENERATION 3 VALVES

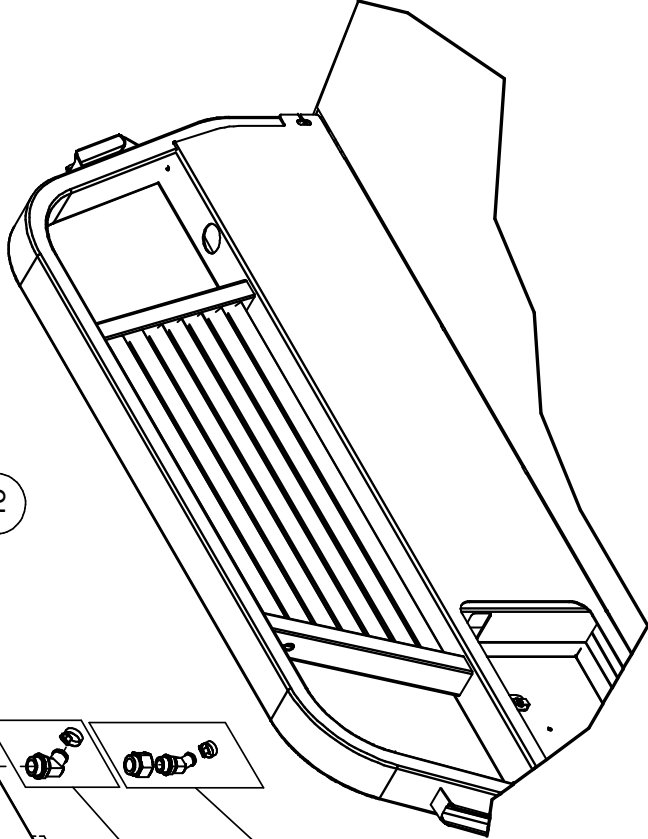
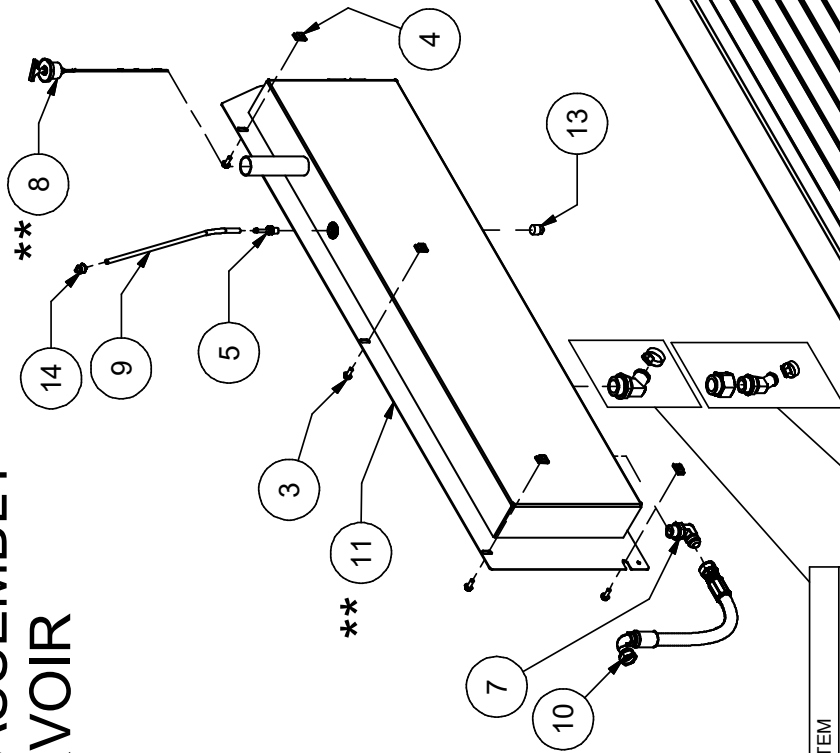
COMMON HOSES	SQUEEZE HOSES SHORT	LIFT HOSES SHORT	RESERVOIR RETURN	HYDRAULIC HOSE KIT #
	6MTF3 - 8FJX / 8MP 2 ea.	8M3K - 6FJX / 8FJX 4 ea.	12-10FJX / 12-12FJX 1 ea.	
	220682 (17 in.)	220681 (17 in.)	220723 (25 in.)	<b>223051</b>
<b>FLATBED LENGTH</b>	<b>SQUEEZE HOSES</b>	<b>LIFT HOSES</b>		
	8M3K - 8FJX / 8MJ 2 ea.	8M3K - 6FJX / 8FJX 2 ea.		
101 in.	220684 (122 in.)	220688 (99 in.)		<b>223036</b>
110 in.	220685 (132 in.)	220689 (111 in.)		<b>223036</b>
136 in.	220686 (158 in.)	220690 (137 in.)		<b>223037</b>

# HYDRAULIC ASSEMBLY RESERVOIR

Parts List

ITEM	PART #	QTY	DESCRIPTION
1	110290	2	NUT, 1/4-20 WIZ FLANGE
2	110434	4	BOLT, 1/4-20 X 0.5, WIZ FLANGE
3	110444	4	BOLT, 5/16-18 X 0.75, WIZ FLANGE
4	110616	4	NUT, 5/16", J-TYPE, CAGE, .5C
5	120237	1	ADAPTER, 4BH-4MP
6	120244	1	ADAPTER, 12MJ-12MP
7	120257	1	ADAPTER, 12MJ-12MB90
8	220566	1	Dipstick Cap, Reservoir Flatbed
9	220587	1	VENT HOSE
10	220700	1	FILTER TO RESERVOIR HOSE
11	225012	1	Reservoir, Flatbed, Remote Filter
12	260265	1	MOUNTING BRACKET, FILTER
13	500175	1	FITTING, PLUG 1/2" PIPE
14	540031	1	FUEL FILTER

\*\* For Medium-Tall Headach Rack  
Reservoir Part # -- 225033  
Dipstick Cap Part # -- 220803

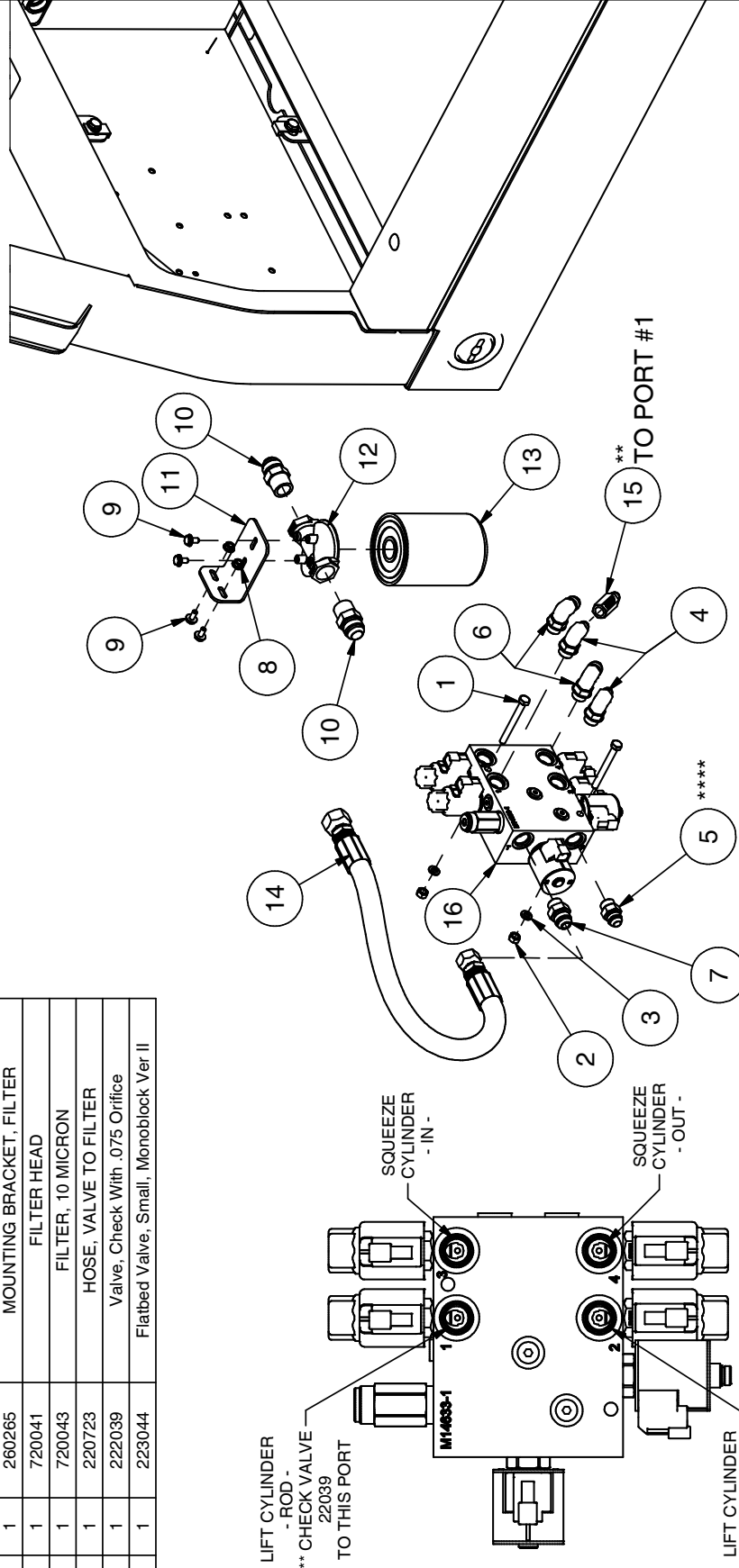


12 & 17 GALLON SYSTEM	
PART #	DESCRIPTION
120189	ADAPTER, 20MB-20BH 45°
511002	HOSE CLAMP, #24

5, 7 & 9 GALLON SYSTEM	
PART #	DESCRIPTION
120188	ADAPTER, 16MB-16BH 45°
120511	ADAPTER, 20MB-16FOR
720107	HOSE CLAMP, #20

# Valve & Filter Gen 3 Double Poppet

Parts List		
ITEM	QTY	PART # DESCRIPTION
1	2	110538 BOLT, 5/16-18 X 3.0
2	2	110608 NUT, 5/16-18
3	2	110674 WASHER, 5/16" LOCK
4	2	120134 ADAPTER, 6MJ-8MB90
5	1	120277 ADAPTER, 8MJ-8MB
6	2	120288 ADAPTER, 8MJ-8MB90
7	1	120493 ADAPTER, 10MJ-8MB
8	2	110290 NUT, 1/4-20 WIZ FLANGE
9	4	110434 BOLT, 1/4-20 X 0.5, WIZ FLANGE
10	2	120244 ADAPTER, 12MJ-12MP
11	1	260265 MOUNTING BRACKET, FILTER
12	1	720041 FILTER HEAD
13	1	720043 FILTER, 10 MICRON
14	1	220723 HOSE, VALVE TO FILTER
15	1	222039 Valve, Check With .075 Orifice
16	1	223044 Flatbed Valve, Small, Monoblock Ver II



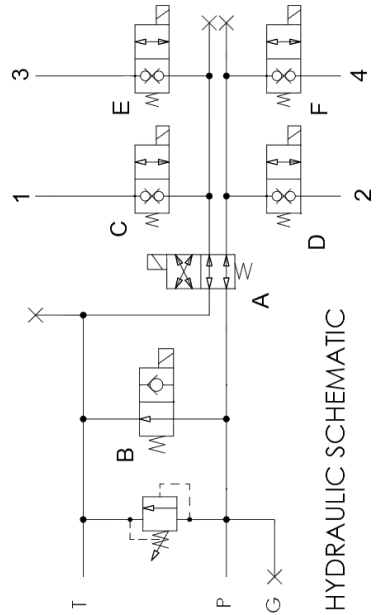
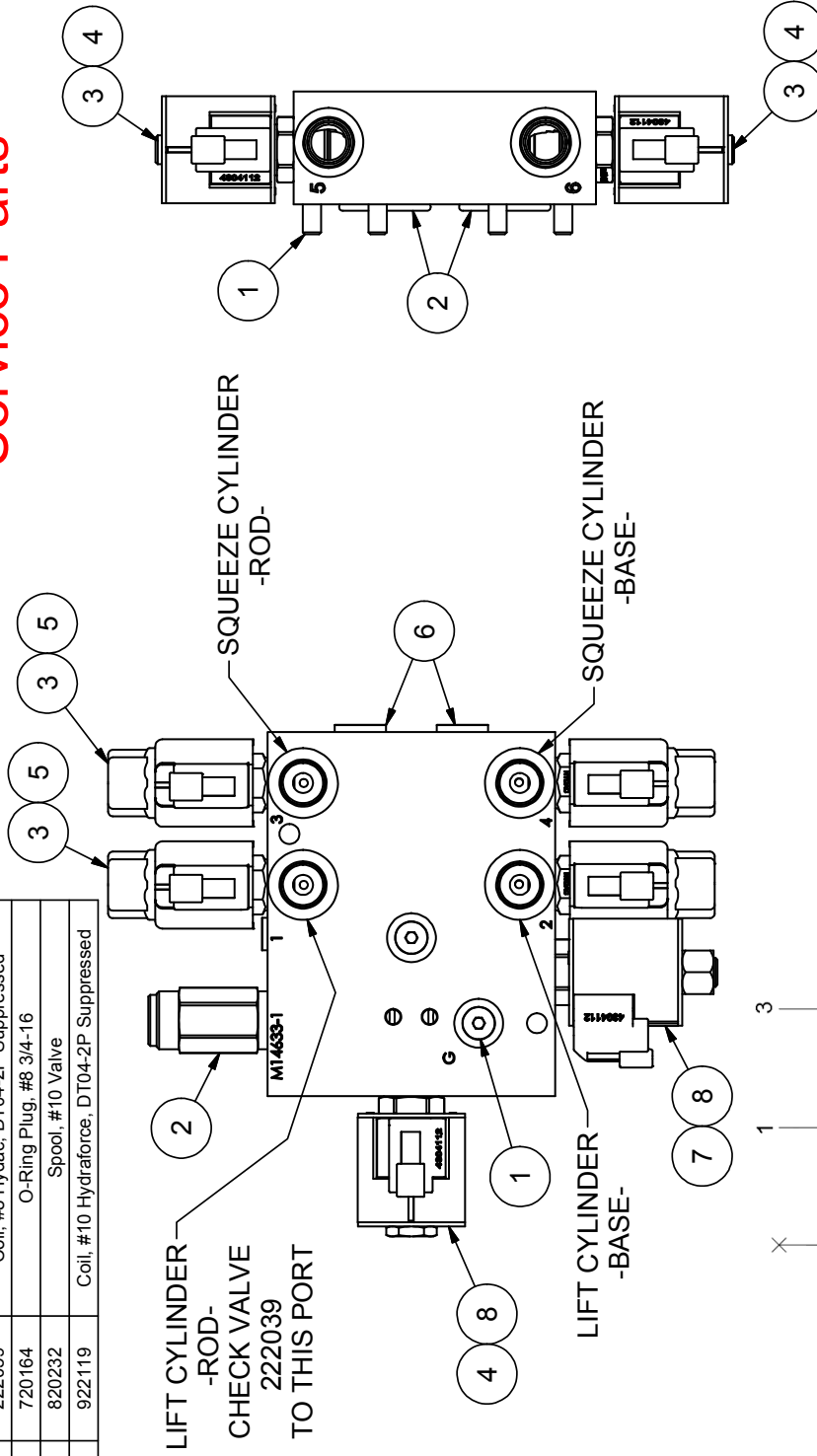
12 & 17 Gallon System  
120250 -- Adapter 12MJ-8MB  
Also As Required  
120368 -- Adapter 8mj-8fx90  
120267 -- Adapter 12mj-12fx90





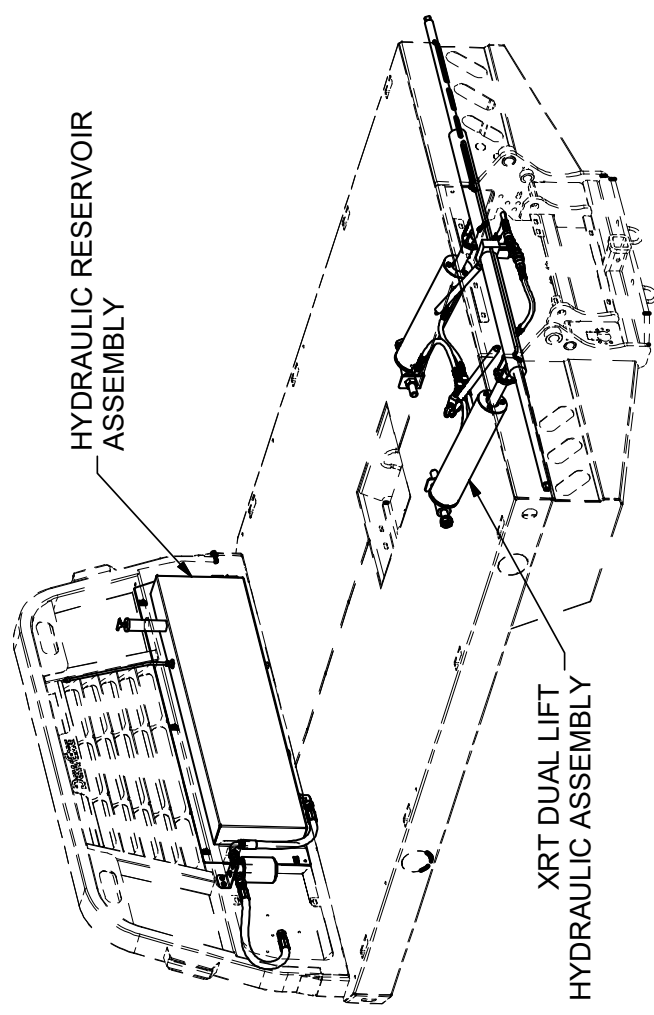
**Flatbed Valve  
-08 Hydac Deutsch  
Service Parts**

Flatbed Valve, Small, Hydac Deutsch P/N 223044			
ITEM	QTY	PART #	DESCRIPTION
1	3	120062	O-Ring Plug, #4 7/16-20
2	1	222004	Valve, Pressure Relief
3	4	222010	Cartridge, #8 HYDAC Double Poppet
4	1	222045	#10 SOLENOID, 2 POSITION 4 WAY
5	4	222059	Coil, #8 Hydac, DT04-2P Suppressed
6	2	720164	O-Ring Plug, #8 3/4-16
7	1	820232	Spool, #10 Valve
8	2	922119	Coil, #10 Hydratorce, DT04-2P Suppressed



Valve, 3rd Bank add on P/N 223045			
ITEM	QTY	PART #	DESCRIPTION
1	4	110168	BOLT, 5/16-18 X 2.0 SHCS
2	2	120376	O'RING, -219, 90 DURO
3	2	222003	Valve, Poppet N.C. SOL VALVE
4	2	922119	Coil, #10 Hydratorce, DT04-2P Suppressed

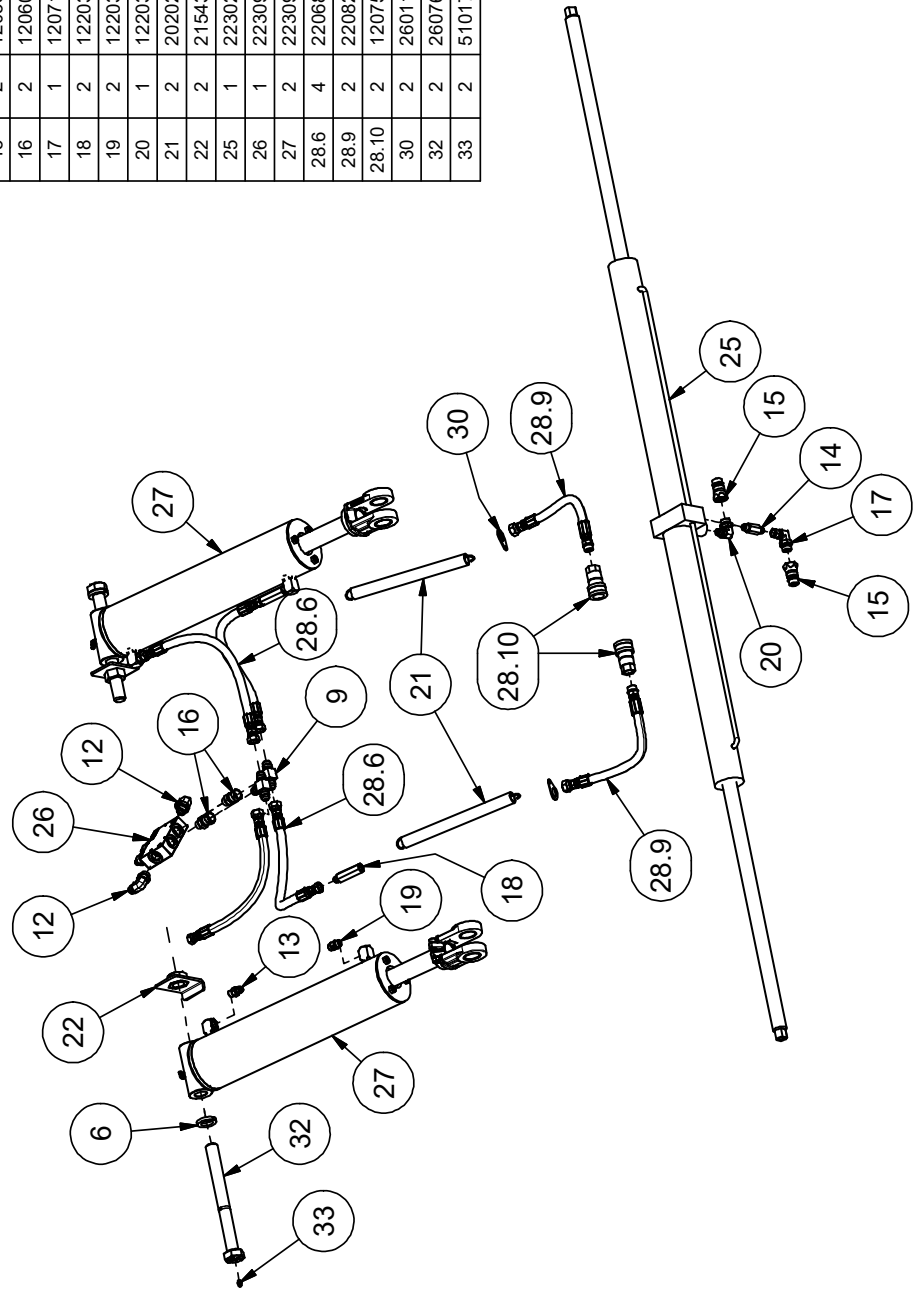
Parts List		Parts List	
ITEM	QTY	PART #	DESCRIPTION
1	2	110290	NUT, 1/4-20 WIZ FLANGE
2	4	110434	BOLT, 1/4-20 X 0.5, WIZ FLANGE
3	4	110444	BOLT, 5/16-18 X 0.75, WIZ FLANGE
4	1	110459	BOLT, 5/16-18 X 1, WIZ FLANGE
5	4	110616	NUT, 5/16", J-TYPE, CAGE, .5C
6	2	110649	WASHER, 1" LOCK
7	2	110676	WASHER, 3/8" FLAT STANDARD
8	1	120237	ADAPTER, 4BH-4MP
9	2	120242	ADAPTER, 8MJ-8MJ-8MJ
10	2	120244	ADAPTER, 12MJ-12MP
11	1	120257	ADAPTER, 12MJ-12MB90
12	2	120288	ADAPTER, 8MJ-8MB90
13	2	120319	ADAPTER, 6MJ-6MB
14	1	120484	ADAPTER, 6MJ-6MB-LONG
15	2	120582	Coupler, Pioneer Male, ORB
16	2	120601	ADAPTER, 8MB-8FJX
17	1	120718	Adapter, 8mb-6fjx90
18	2	122037	Adapter, Velocity 6gpm, 6mj-6fb
19	2	122038	Adapter, 6mb-6mb
20	1	122039	Adapter, 8mb-6mb 90
21	2	202022	SPRING, 1" O.D. X 12" L X .105 WIRE
22	2	215430	Weldment, Keeper 1" Nut
23	1	220566	Dipstick Cap, Reservoir Flatbed
24	1	220587	VENT HOSE
25	1	223026	Cylinder, Sync 2 X 39.25
26	1	223093	Valve, Counter Balance, Cross Pilot
27	2	223094	Cylinder, Lift, 4.0 X 15.31
28	1	223095	Hydraulic Hose Kit, Common
29	1	225012	Reservoir, Flatbed, Remote Filter
30	2	260111	MOUNT, HOSE SPRING
31	1	260265	MOUNTING BRACKET, FILTER
32	2	260760	Bolt, 1-8 x 10, Greasable
33	2	510174	GREASE ZERK, 1/4-28 ST
34	1	540031	FUEL FILTER
35	1	720041	FILTER HEAD
36	1	720043	FILTER, 10 MICRON



# XRT DUAL LIFT HYDRAULICS

Parts List			
ITEM	QTY	PART #	DESCRIPTION
6	2	110649	WASHER, 1" LOCK
9	2	120242	ADAPTER, 8MJ-8MJ-8MJ
12	2	120288	ADAPTER, 8MJ-8MB90
13	2	120319	ADAPTER, 6MJ-6MB
14	1	120484	ADAPTER, 6MJ-6MB-LONG
15	2	120582	Coupler, Pioneer Male, ORB
16	2	120601	ADAPTER, 8MB-8FJX
17	1	120718	Adapter, 8mb-6fx90
18	2	122037	Adapter, Velocity 6gpm, 6mj-6fb
19	2	122038	Adapter, 6mb-6mb
20	1	122039	Adapter, 8mb-6mb 90
21	2	202022	SPRING, 1" O.D. X 12" L X .105 WIRE
22	2	215430	Weldment, Keeper 1" Nut
25	1	223026	Cylinder, Sync 2 X 39.25
26	1	223093	Valve, Counter Balance, Cross Pilot
27	2	223094	Cylinder, Lift, 4.0 X 15.31
28.6	4	220681	HOSE ASSY, FLATBED DUAL LIFT
28.9	2	220821	HOSE ASSY, FLATBED SQUEEZE SHORT
28.10	2	120755	Coupler, Pioneer Female, ORB
30	2	260111	MOUNT, HOSE SPRING
32	2	260760	Bolt, 1-8 x 10, Greasable
33	2	510174	GREASE ZERK, 1/4-28 ST

# XRT DUAL LIFT HYDRAULIC ASSEMBLY

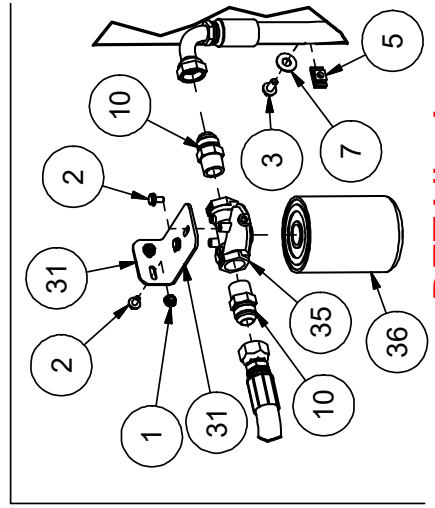
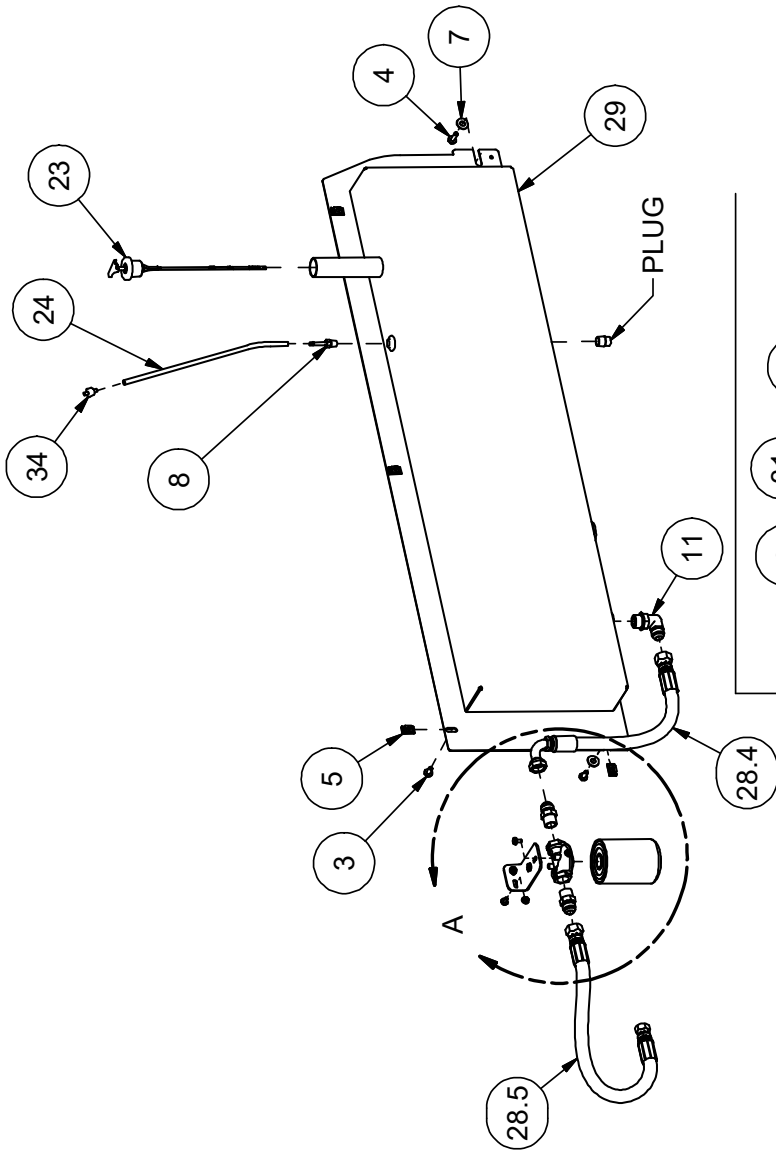




Parts List

ITEM	QTY	PART #	DESCRIPTION
1	2	110290	NUT, 1/4-20 WIZ FLANGE
2	4	110434	BOLT, 1/4-20 X 0.5, WIZ FLANGE
3	4	110444	BOLT, 5/16-18 X 0.75, WIZ FLANGE
4	1	110459	BOLT, 5/16-18 X 1, WIZ FLANGE
5	4	110616	NUT, 5/16", J-TYPE, CAGE, .5C
7	2	110676	WASHER, 3/8" FLAT STANDARD
8	1	120237	ADAPTER, 4BH-4MP
10	2	120244	ADAPTER, 12MJ-12MP
11	1	120257	ADAPTER, 12MJ-12MB90
23	1	220566	Dipstick Cap, Reservoir Flatbed
24	1	220587	VENT HOSE
28.4	1	220700	FILTER TO RESERVOIR HOSE
28.5	1	220723	HOSE, VALVE TO FILTER
29	1	225012	Reservoir, Flatbed, Remote Filter
31	1	260265	MOUNTING BRACKET, FILTER
34	1	540031	FUEL FILTER
35	1	720041	FILTER HEAD
36	1	720043	FILTER, 10 MICRON

# XRT RESERVOIR ASSEMBLY

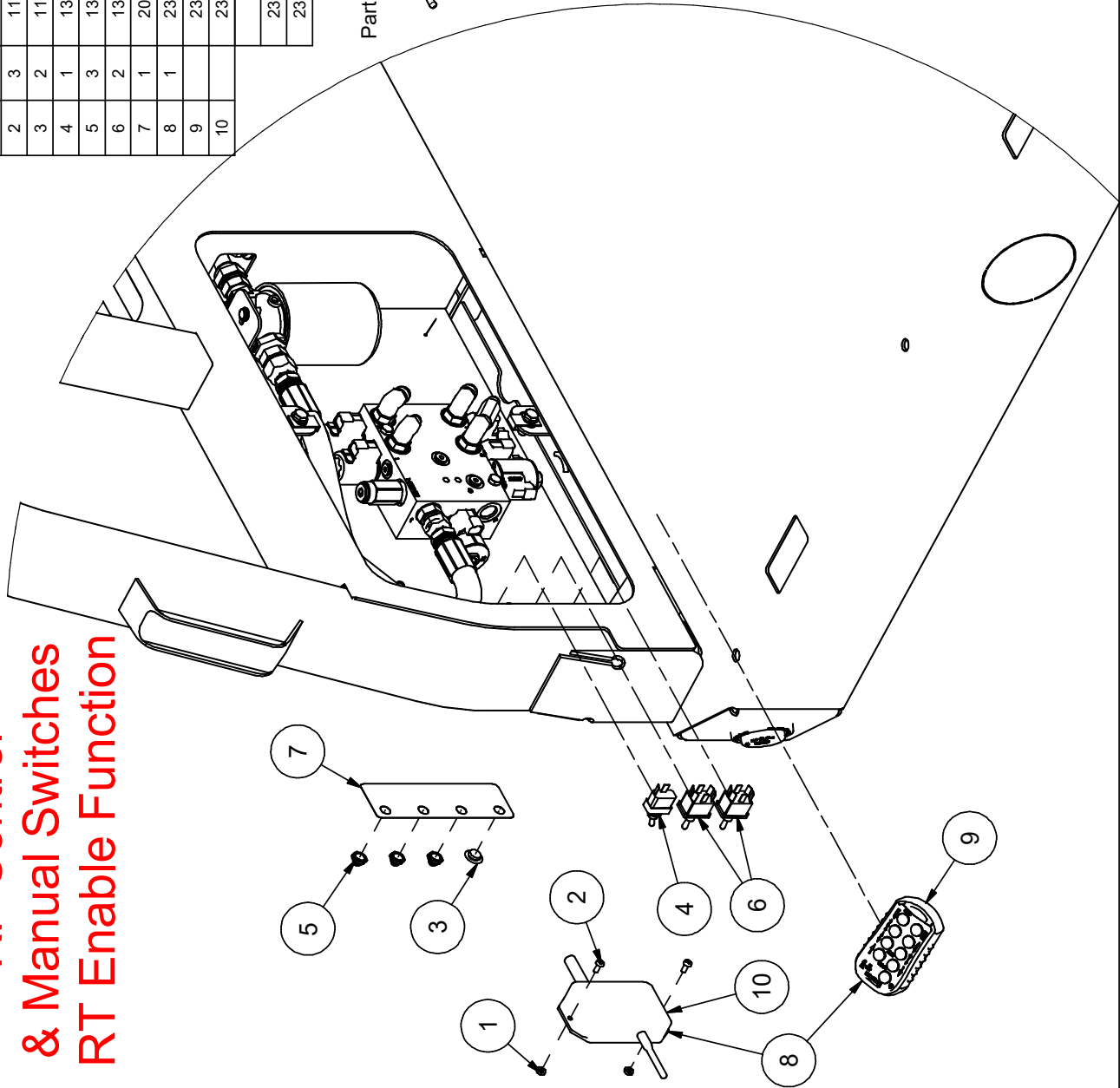


DETAIL A

# RF Control & Manual Switches RT Enable Function

Parts List

ITEM	QTY	PART #	DESCRIPTION
1	3	110119	NUT, 10-24 LOCK
2	3	110264	BOLT, 10-24 X .5 STAINLESS, PHILLIPS
3	2	110753	PLUG, 1/2" BUTTON PLASTIC
4	1	132027	Switch, Spst, Toggle .250 Tab
5	3	132035	SWITCH BOOT
6	2	132127	Switch, Toggle, DPDT, (On)-OFF-(ON)
7	1	202003	DECAL, SWITCH IDENTIFICATION
8	1	233012	Transmitter & Receiver, Macro, Kar-Tech
9		233011	Transmitter, Kar-Tech
10		232197	Receiver, W/Enable Function
			Not Shown
		232182	Harness, Reel Transport, 2 Bank
		232183	Harness, Reel Transport, 3rd Bank



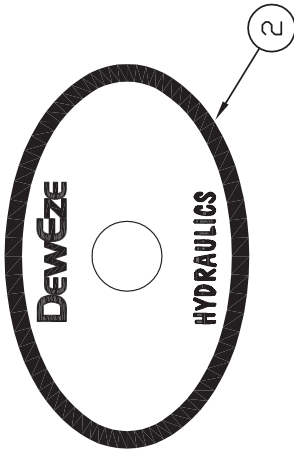
Part # 132134



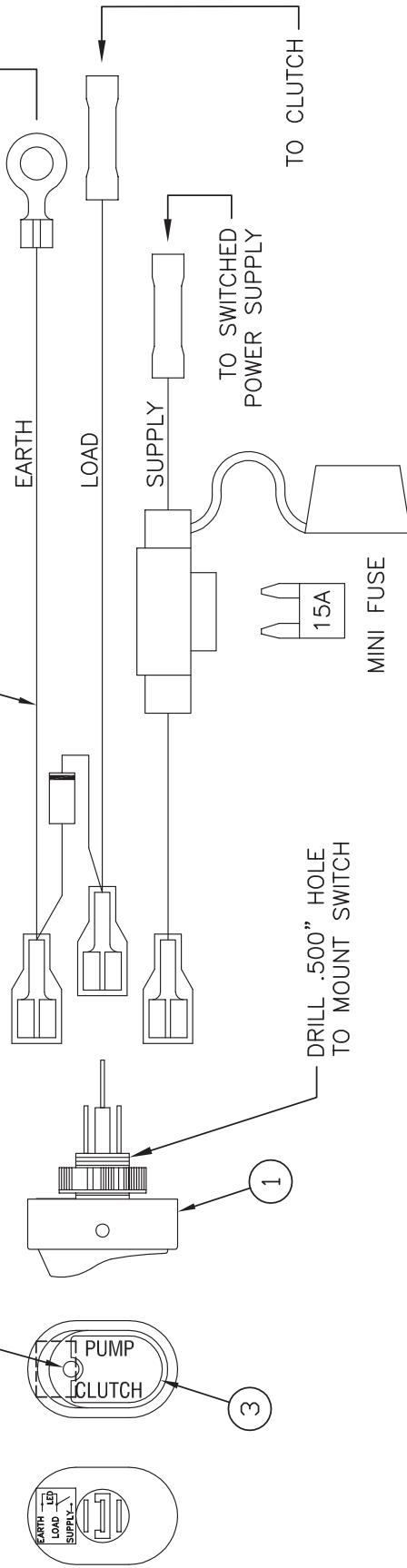
Note: Optional Latching Switch  
On-Off-On is Available

7/14/2022

ITEM	QUAN	PART #	NAME
1	1	132044	SWITCH, SPST ROCKER LED
2	1	702002	DECAL, DEWEZE HYDRAULICS
3	1	702061	DECAL, PUMP CLUTCH
4	1	732002	HARNESS, CLUTCH CONTROL



DECAL ORIENTED TO LED ON SWITCH AS SHOWN



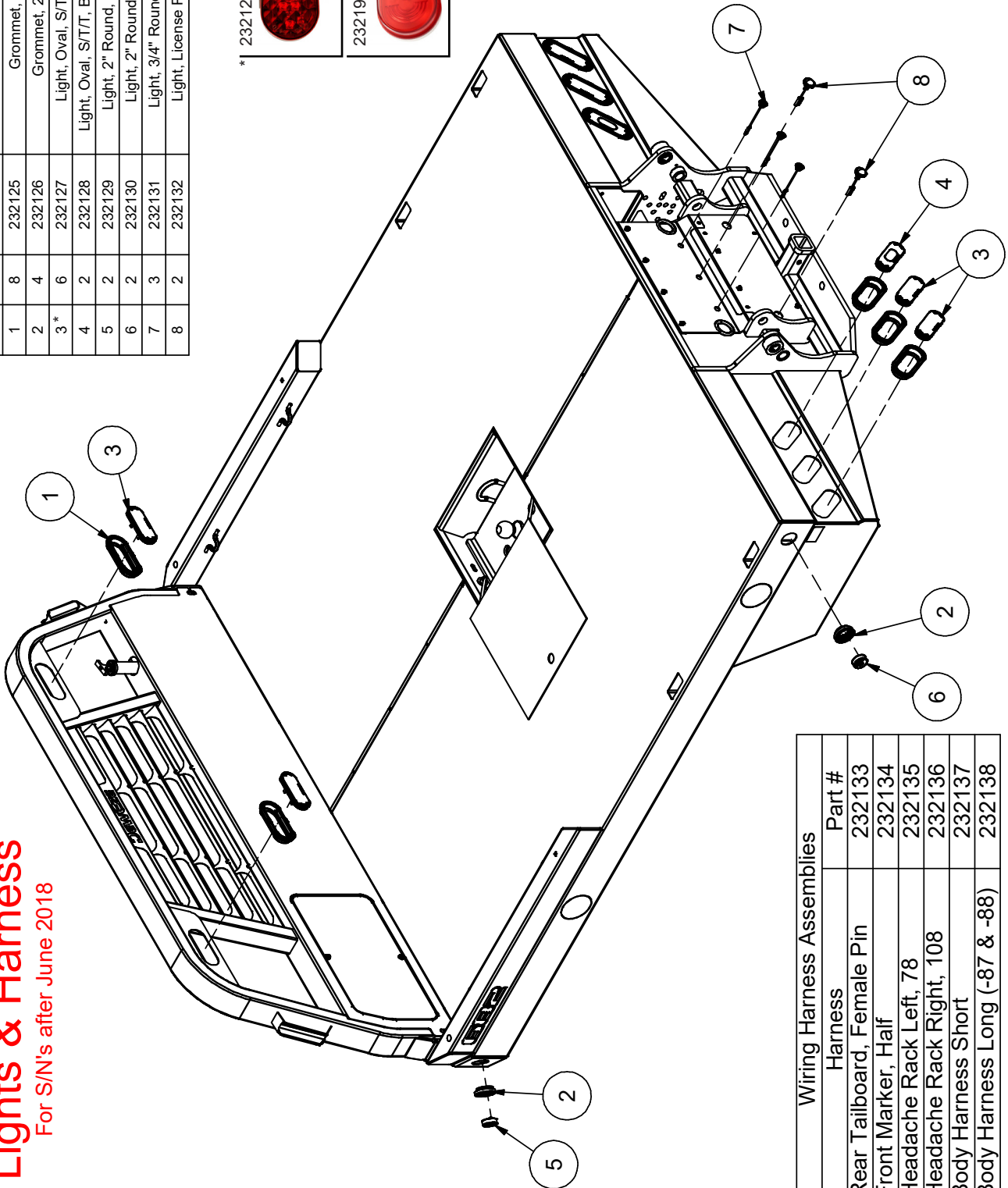
SWITCH, CLUTCH CONTROL ASSY 735001

# Lights & Harness

For S/N's after June 2018

## Parts List

ITEM	QTY	PART #	DESCRIPTION
1	8	232125	Grommet, 6" Oval, Grote
2	4	232126	Grommet, 2" Round, Grote
3*	6	232127	Light, Oval, S/T/T, Male Pin, Grote
4	2	232128	Light, Oval, S/T/T, BackUp, Male Pin, Grote
5	2	232129	Light, 2" Round, Amber, Grote 47113
6	2	232130	Light, 2" Round, Red, Grote 47112
7	3	232131	Light, 3/4" Round, Red, Grote 49332
8	2	232132	Light, License Plate, w/Plug, Grote



Wiring Harness Assemblies	
Harness	Part #
Rear Tailboard, Female Pin	232133
Front Marker, Half	232134
Headache Rack Left, 78	232135
Headache Rack Right, 108	232136
Body Harness Short	232137
Body Harness Long (-87 & -88)	232138

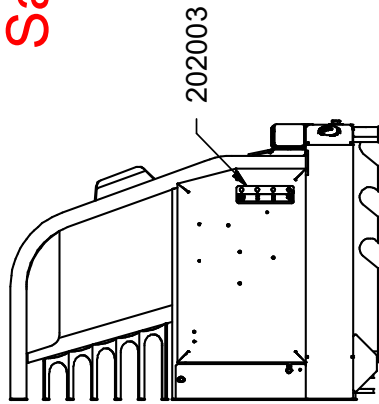
6/8/2018



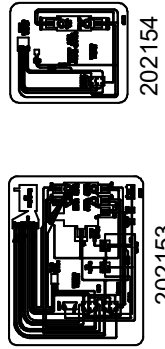


# Decals Safety & Operation RT Bed

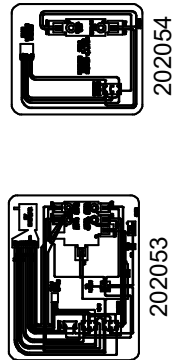
Parts List	
PART #	DESCRIPTION
200190	Decal, Red Reflector, Rectangle
202003	Decal, Switch Identification
202052	Decal, Double Poppet Valve
202053	Decal, Wiring Diagram, Kar-Tech Remote
202054	Decal, 3rd Bank Option, Dar-Tech Remote
202093	Decal, Pin Stripe, Warm Silver
202111	Decal, Hugger Arm, Left
202112	Decal, Hugger Arm, Right
202117	Decal, RT (REEL TRANSPORT)
202118	Decal, DewEze, Outline, Warm Silver
202144	Decal, Safe Distance, Horizontal
202145	Decal, Safe Distance, Vertical



202003  
With  
Enable  
Function



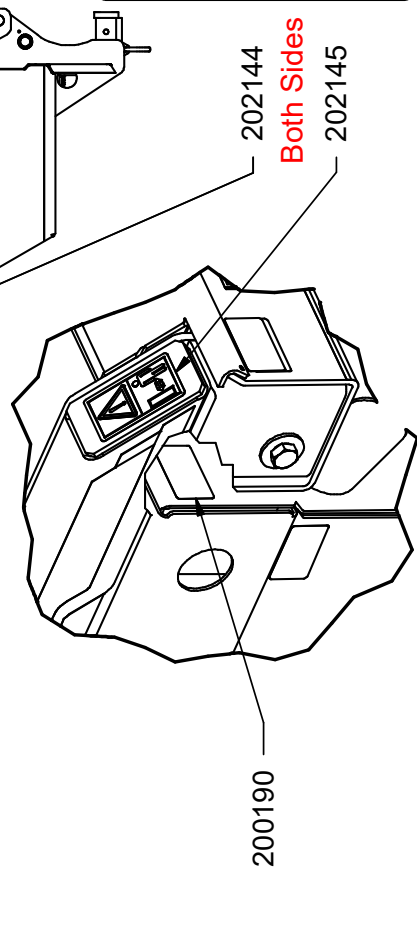
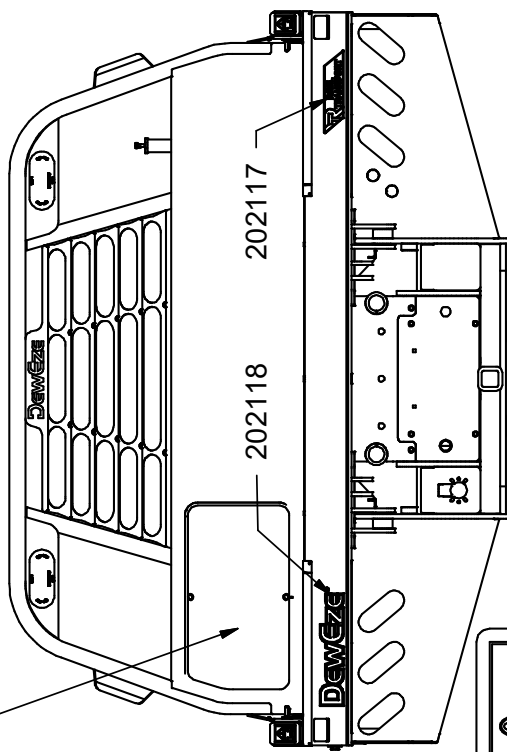
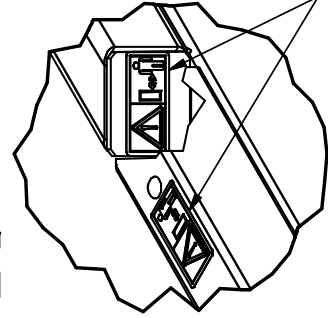
INSIDE OF VALVE COVER  
2 BANK  
3rd BANK



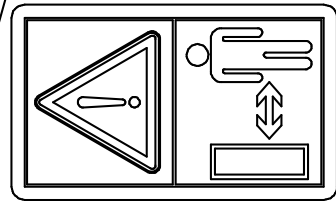
202053  
202054



202052



202144  
Both Sides  
202145



IT IS THE OWNER'S RESPONSIBILITY TO REPLACE MISSING OR DAMAGED WARNING DECALS. DECALS ARE AVAILABLE FROM YOUR DEALER OR FROM THE DEWEZE FACTORY.

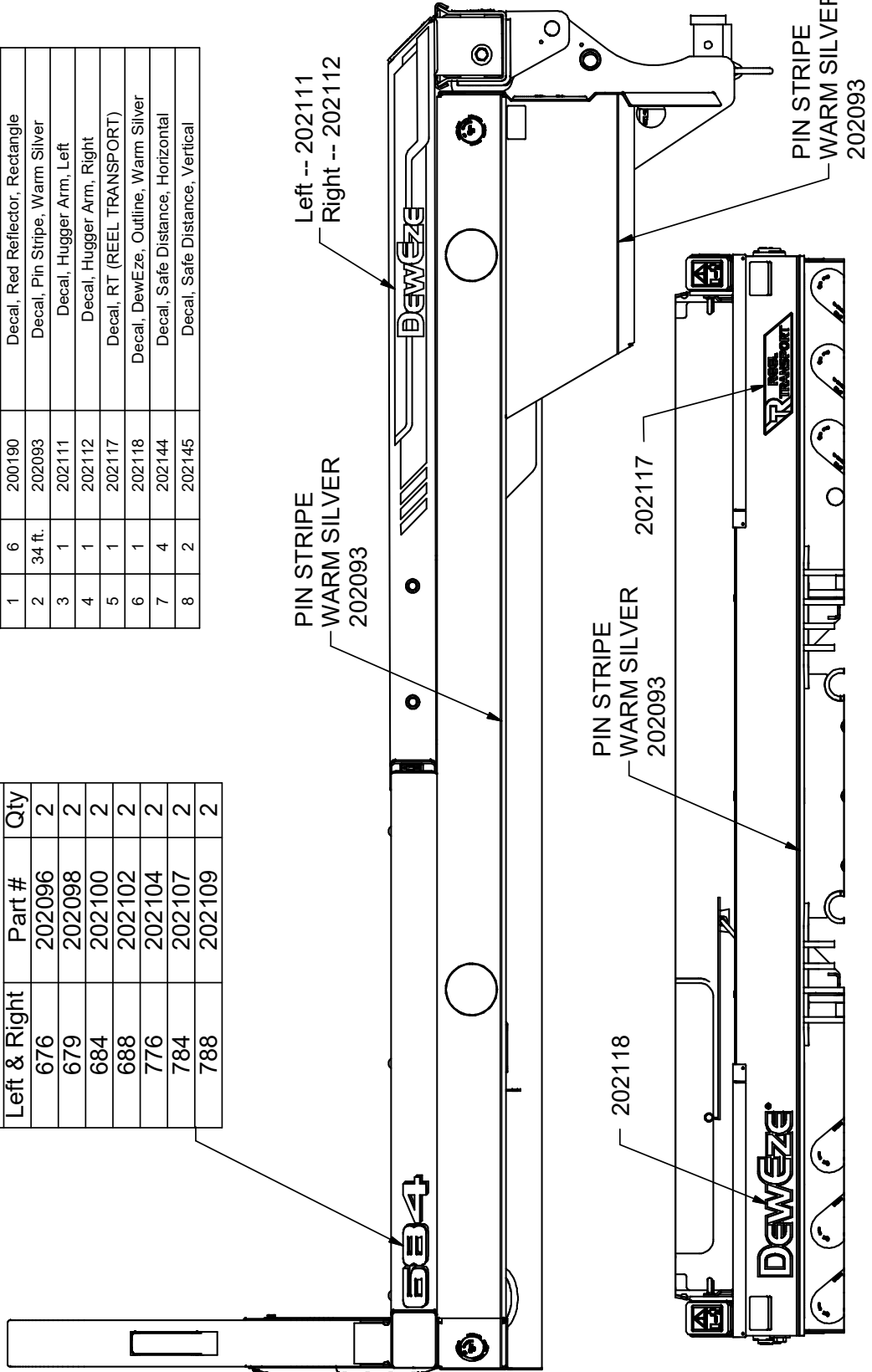
6/1/2021

# 600 & 700 RT Series Decals

\* Model # Decals Must be Ordered Separately

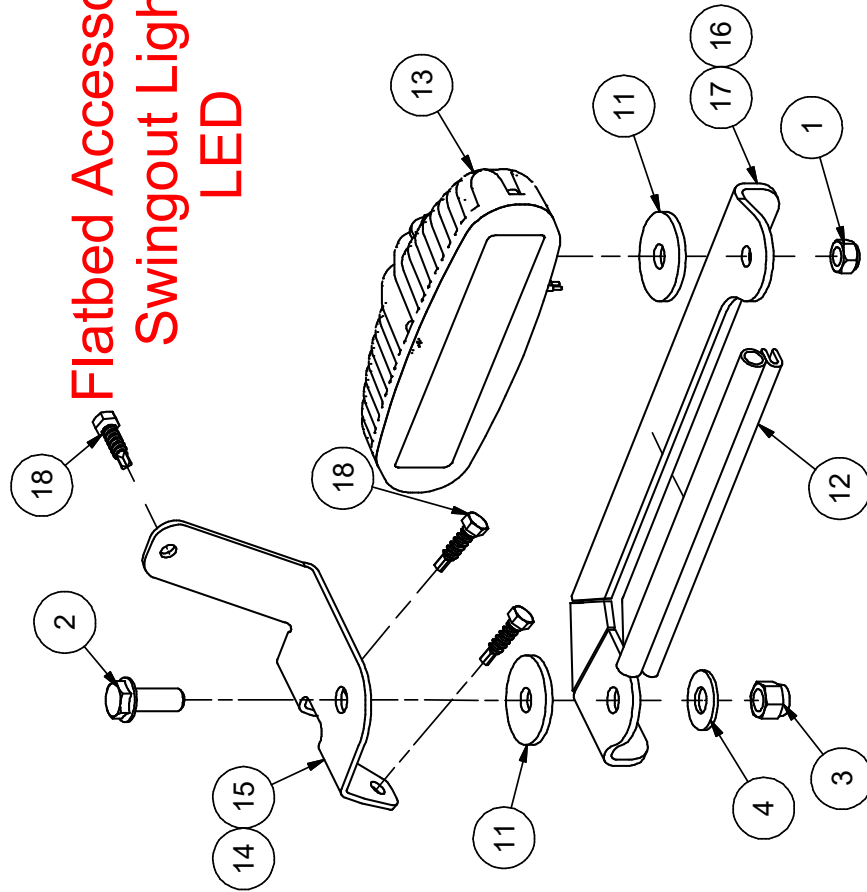
Model # Decals	Part #	Qty
Left & Right		
676	202096	2
679	202098	2
684	202100	2
688	202102	2
776	202104	2
784	202107	2
788	202109	2

Decal Kit, 6-700 RT Series Part # 205294		
ITEM	QTY	DESCRIPTION
1	6	Decal, Red Reflector, Rectangle
2	34 ft.	Decal, Pin Stripe, Warm Silver
3	1	Decal, Hugger Arm, Left
4	1	Decal, Hugger Arm, Right
5	1	Decal, RT (REEL TRANSPORT)
6	1	Decal, DewEze, Outline, Warm Silver
7	4	Decal, Safe Distance, Horizontal
8	2	Decal, Safe Distance, Vertical



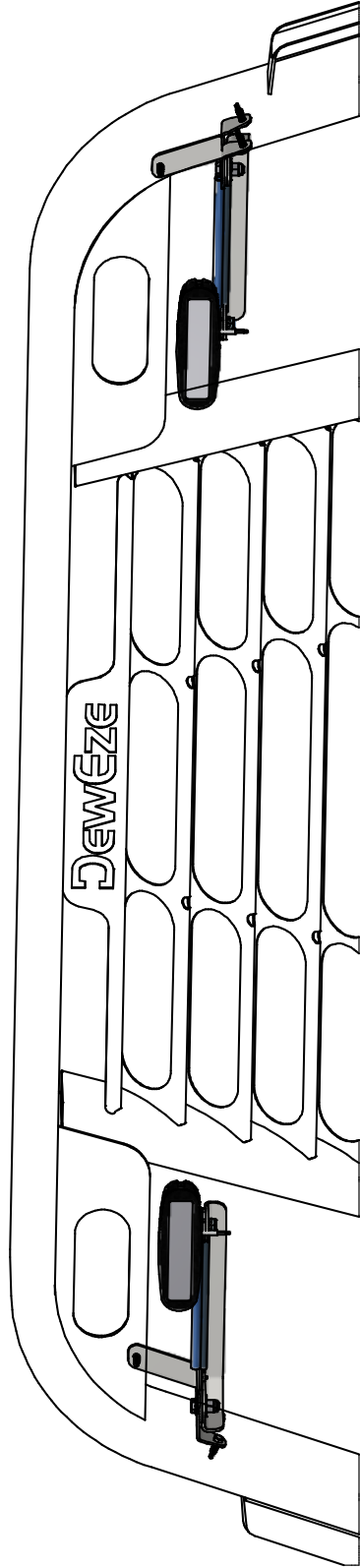


**Flatbed Accessories  
Swingout Lights  
LED**



**Swingout Light Kit, Part# 205114**

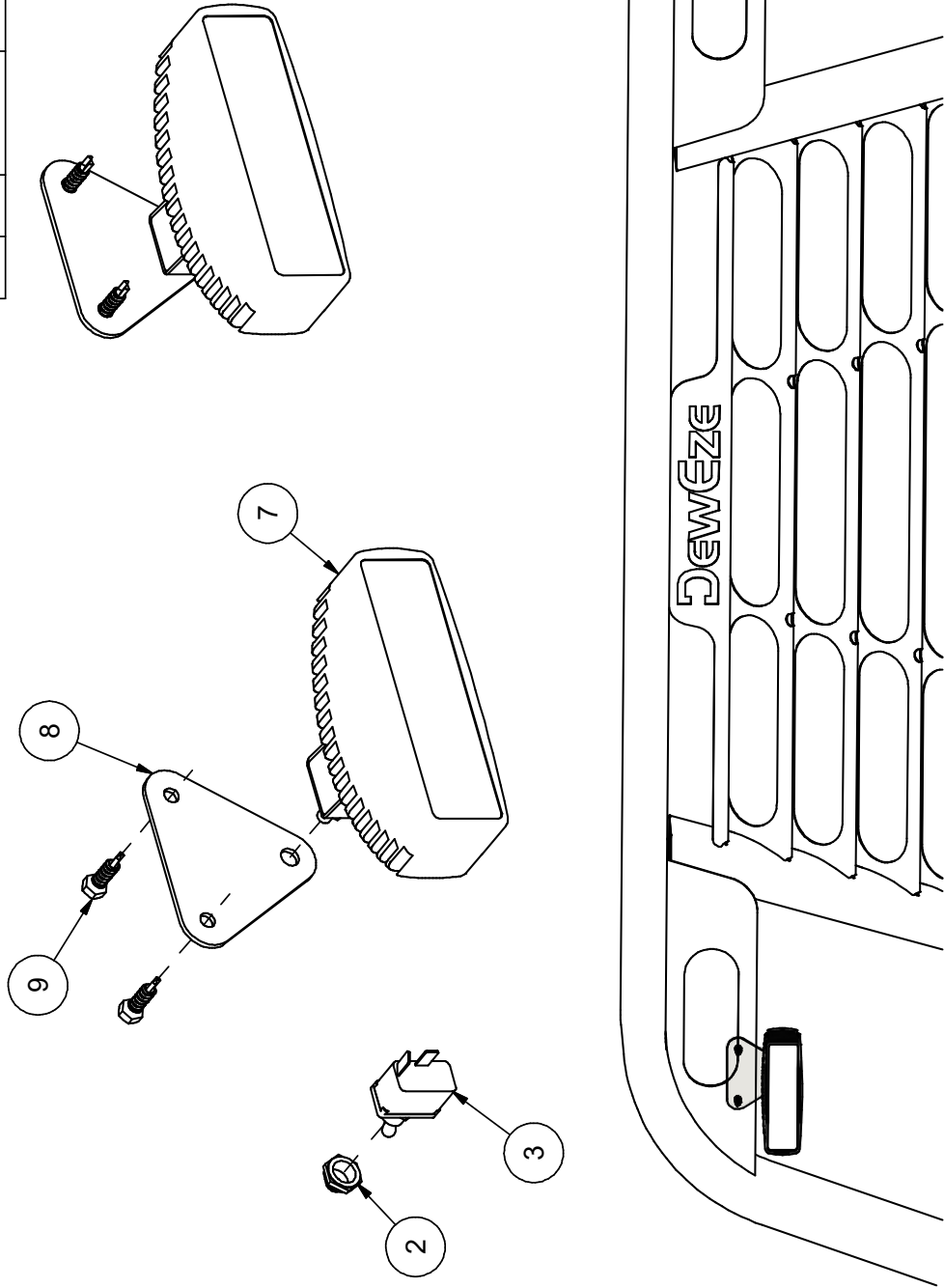
ITEM	QTY	PART #	DESCRIPTION
1	2	110230	NUT, M8 X 1.25, LOCK NYLON
2	2	110440	BOLT, 3/8-16 X 1, WIZ FLANGE
3	2	110618	NUT, 3/8-16 LOCK NYLON INSERT
4	2	110676	WASHER, 3/8" FLAT STANDARD
5	5 ft	130004	Wire, 14ga Black
6	1	132035	SWITCH BOOT
7	1	132135	Switch, Toggle, SPST, On-Off
8	3	132147	Terminal, Butt Connector, 16-14, Heat Shrink
9	2	132148	Terminal, Ring, 16-14, 1/4", Heat Shrink
10	1	132149	Terminal, Multi-Wire Butt Connector, Heat Shrink
11	4	211747	FRICITION WASHER 1.5"
12	2	211749	SWINGLIGHT EDGE TRIM
13	2	232139	Light, LED, 5" Rect, Flood, W/Connector
14	1	260622	Bracket, Swing Light, Base, Right
15	1	260623	Bracket, Swing Light, Base, Left
16	1	260624	Bracket, Swing Light, Arm, Right
17	1	260625	Bracket, Swing Light, Arm, Left
18	6	710586	SCREW, 1/4 X 1 TEK SELF-TAP



# Flatbed Accessories Cargo Lights LED

## Cargo Light Kit, Part# 205113

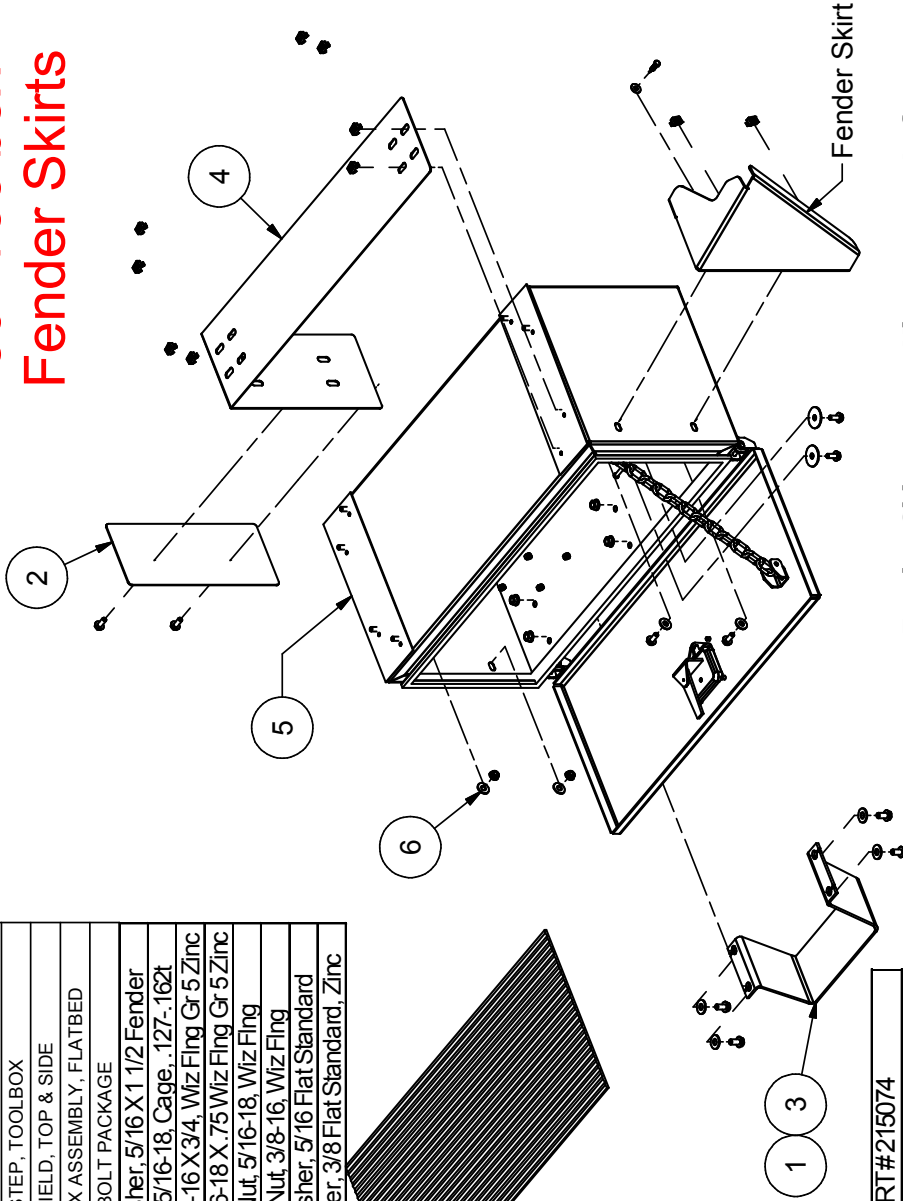
ITEM	QTY	PART #	DESCRIPTION
1	5 ft	130004	Wire, 14ga Black
2	1	132035	SWITCH BOOT
3	1	132135	Switch, Toggle, SPST, On-Off
4	3	132147	Terminal, Butt Connector, 16-14, Heat Shrink
5	2	132148	Terminal, Ring, 16-14, 1/4", Heat Shrink
6	1	132149	Terminal, Multi-Wire Butt Connector, Heat Shrink
7	2	232139	Light, LED, 5" Rect, Flood, W/Connector
8	2	260626	Bracket, Cargo Light
9	4	710586	SCREW, 1/4 X 1 TEK SELF-TAP



10/2/2018

**Flatbed Accessories  
30" Toolbox  
Fender Skirts**

Toolbox Complete W/Step, Part# 205011	
ITEM	DESCRIPTION
1	Traction Pad
2	DECAL, CHIP GUARD
3	STEP, TOOLBOX
4	SHIELD, TOP & SIDE
5	TOOLBOX ASSEMBLY, FLATBED
6	BOLT PACKAGE
110049	8 Washer, 5/16 X 1 1/2 Fender
110258	12 Nut, 5/16-18, Cage, .127-.162t
110437	4 Bolt, 3/8-16 X 3/4, Wiz Flng Gr 5 Zinc
110444	14 Bolt, 5/16-18 X .75 Wiz Flng Gr 5 Zinc
110606	2 Nut, 5/16-18, Wiz Flng
110645	4 Nut, 3/8-16, Wiz Flng
110665	4 Washer, 5/16 Flat Standard
110676	4 Washer, 3/8 Flat Standard, Zinc



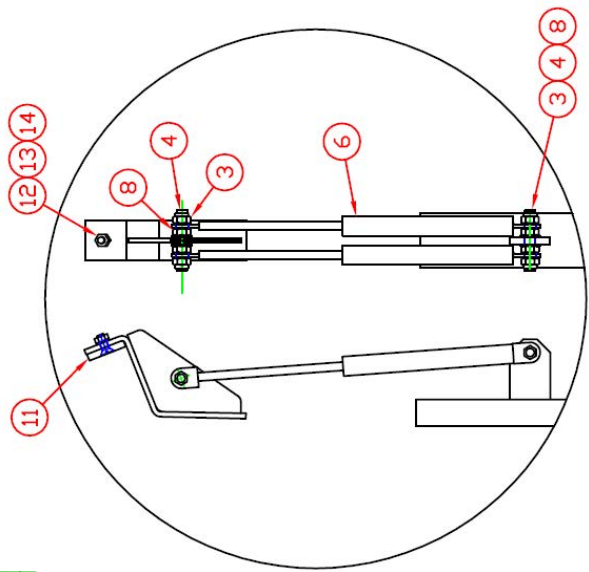
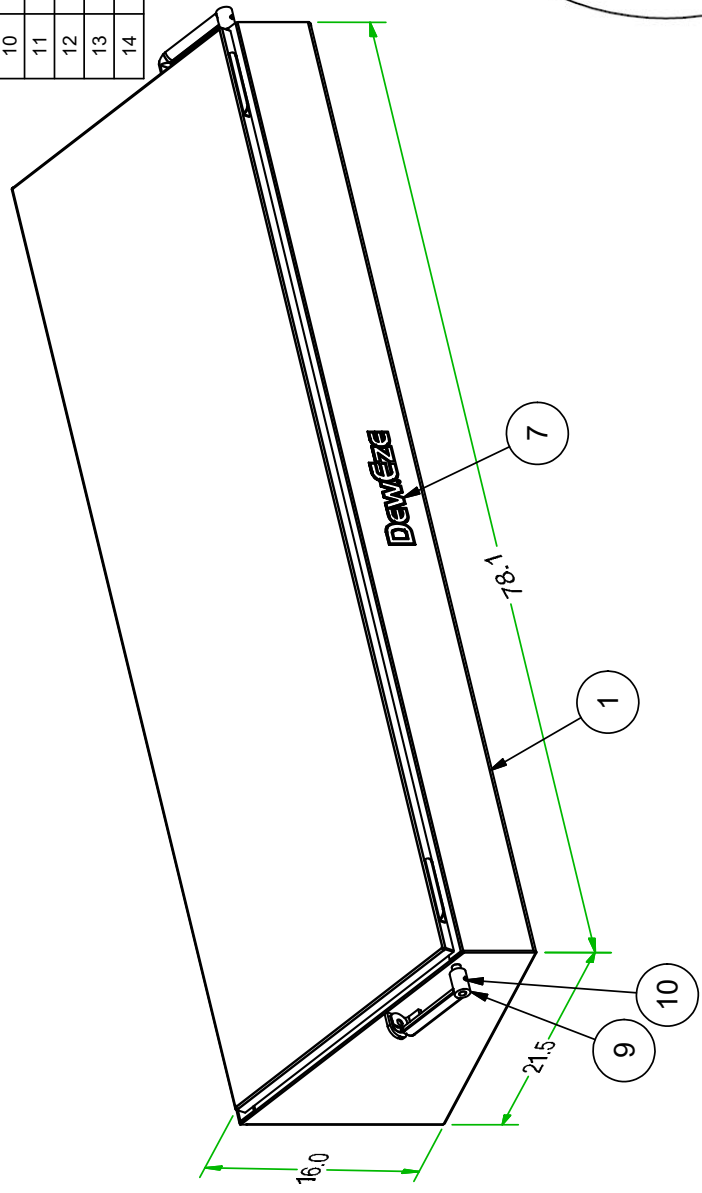
TOOLBOX COMPLETE, PART# 215074	
PART #	DESCRIPTION
110174	4 Nut, 1/4-20, Lock (2-wav)
112011	3 Pushnut, Flat Round Type
112095	3 Clevis Pin, 1/4 X 1 5/8 Zinc
202010	1 Seal, Tool Box Lid
211119	1 Mat, Toolbox 30"
212003	2 Gasket, Tool Box Mount use DK111 Foam
212017	1 Latch, Toolbox w/Studs, Key & Gasket
215072	1 Weldment, Tool Box Door & Hinge
215073	1 Weldment, Tool Box & Hinge

Fender Skirts	Kits	Left	Right
400 Series	205070	260269	260270
	N/A	211293	211294
500 Series	205071	260271	260272
	N/A	211587	211588
600 Series	205070	260269	260270
	205072	260273	260274
700 Series	205071	260271	260272
	205073	260275	260276

# Flatbed Accessories Across the Bed Toolbox

**Across the Bed Toolbox, Part# 210915**

ITEM	QTY	PART #	DESCRIPTION
1	1	210914	TOOLBOX WELD ASSEMBLY
2	2	211132	BUSHING, .625 X .5 X .062 FNG
3	4	110618	NUT, 3/8-16 LOCK NYLON INSERT
4	1	210908	ALL THREAD
5	2	211134	SPRING/LATCH
6	2	500078	Shock, Gas Filled
7	1	400010	DECAL, DEWEZE BLACK OUTLINE
8	4	110645	NUT, 3/8-16 WIZ FLANGE
9	1	211143	HANDLE WELD ASSY
10	2	110239	SetScrew, 5/16-18 X 0.3125
11	1	211138	WEAR PAD, PLASTIC TOOLBOX
12	1	110238	1/4-20 X .75 FLAT C'SUNK SCREW
13	1	110667	WASHER, 1/4" LOCK
14	1	110609	NUT, 1/4-20



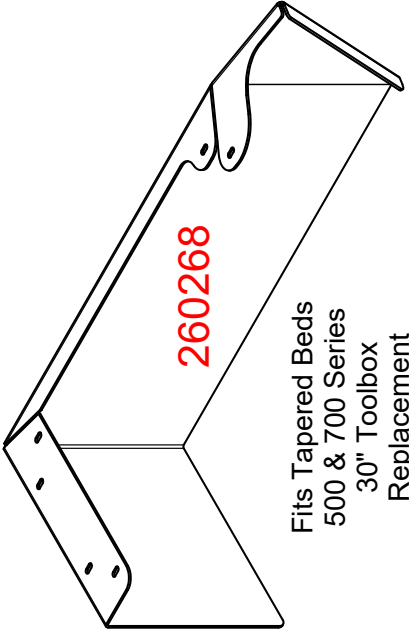
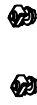


# Front Skirt Toolbox Replacement

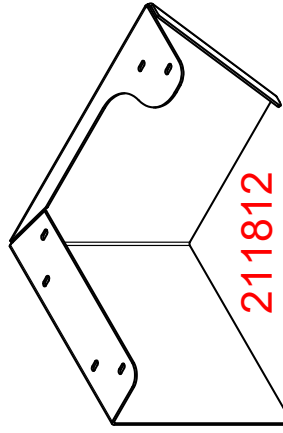
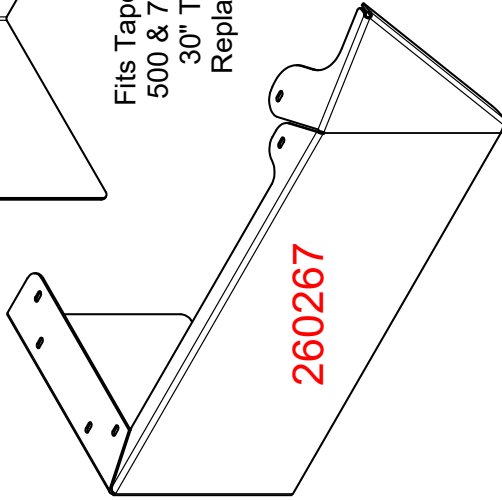


**215116**

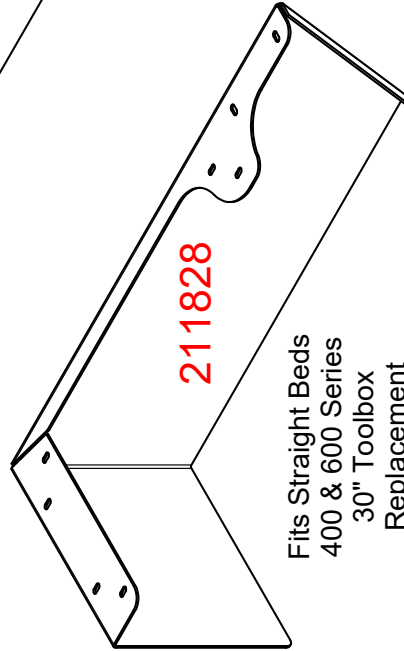
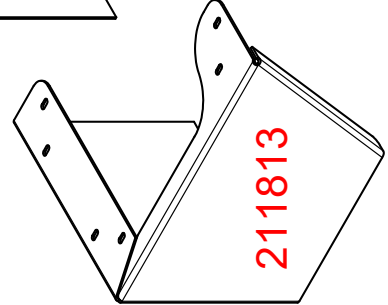
Bolt Kit  
1ea Required  
Per Fenderskirt



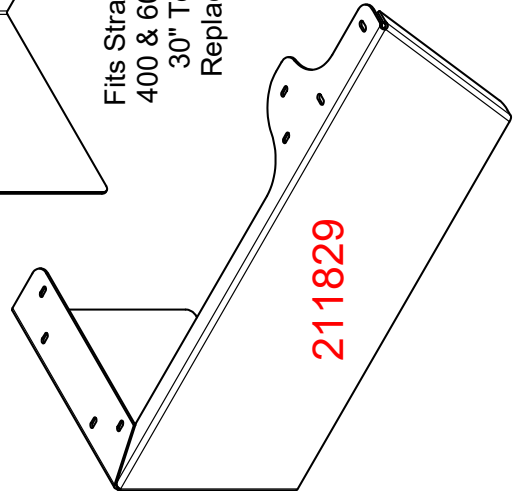
Fits Tapered Beds  
500 & 700 Series  
30" Toolbox  
Replacement



Fits Short Beds  
20" Toolbox  
Replacement



Fits Straight Beds  
400 & 600 Series  
30" Toolbox  
Replacement



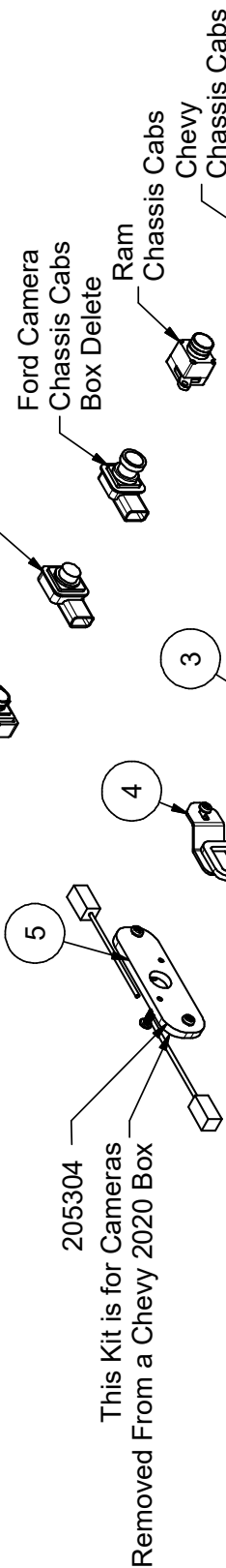
Parts List

ITEM	QTY	PART #	DESCRIPTION
1	1	205143	Kit, Tailboard Mount, Rear View Camera, GM
2	1	205144	Kit, Tailboard Mount, Rear View Camera, Ram
3	1	205145	Kit, Tailboard Mount, Rear View Camera, Ford
4	1	205159	Kit, Tailboard Mount, Rear Camera, Ford Box Take-Off
5	1	205304	Kit, Tailboard Mount, Rear View Camera, GM 2020 Box Removal
6	1	215400	Weldment, Tailboard Camera Mount

# Rear View Camera Mounting Kits

This is the Camera Removed From a Chevy 2020 Box

This is the Camera Removed From a Ford Box



205304  
This Kit is for Cameras Removed From a Chevy 2020 Box

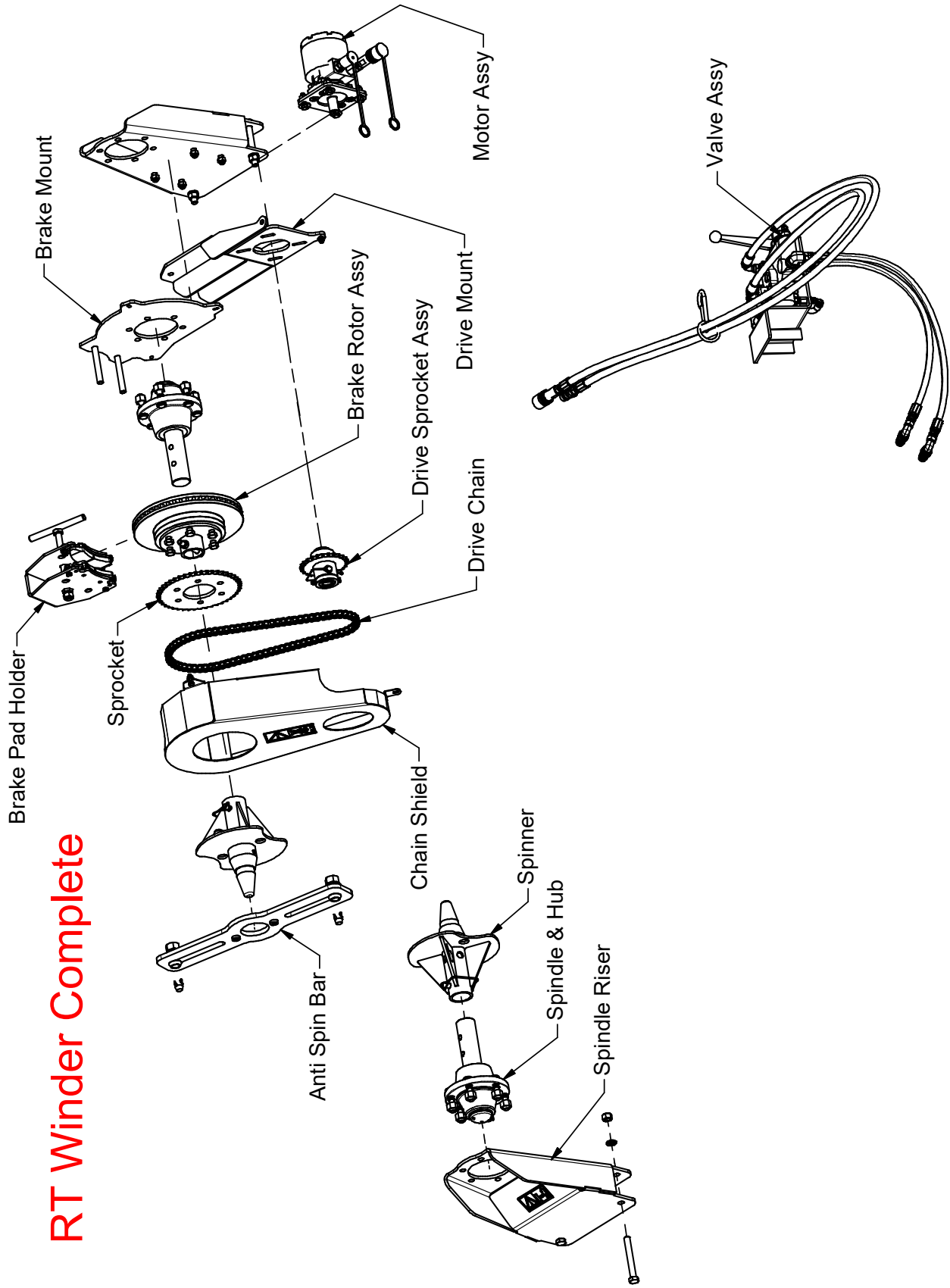
205159  
This Kit is for Cameras Removed From a Ford Box

205145  
205144

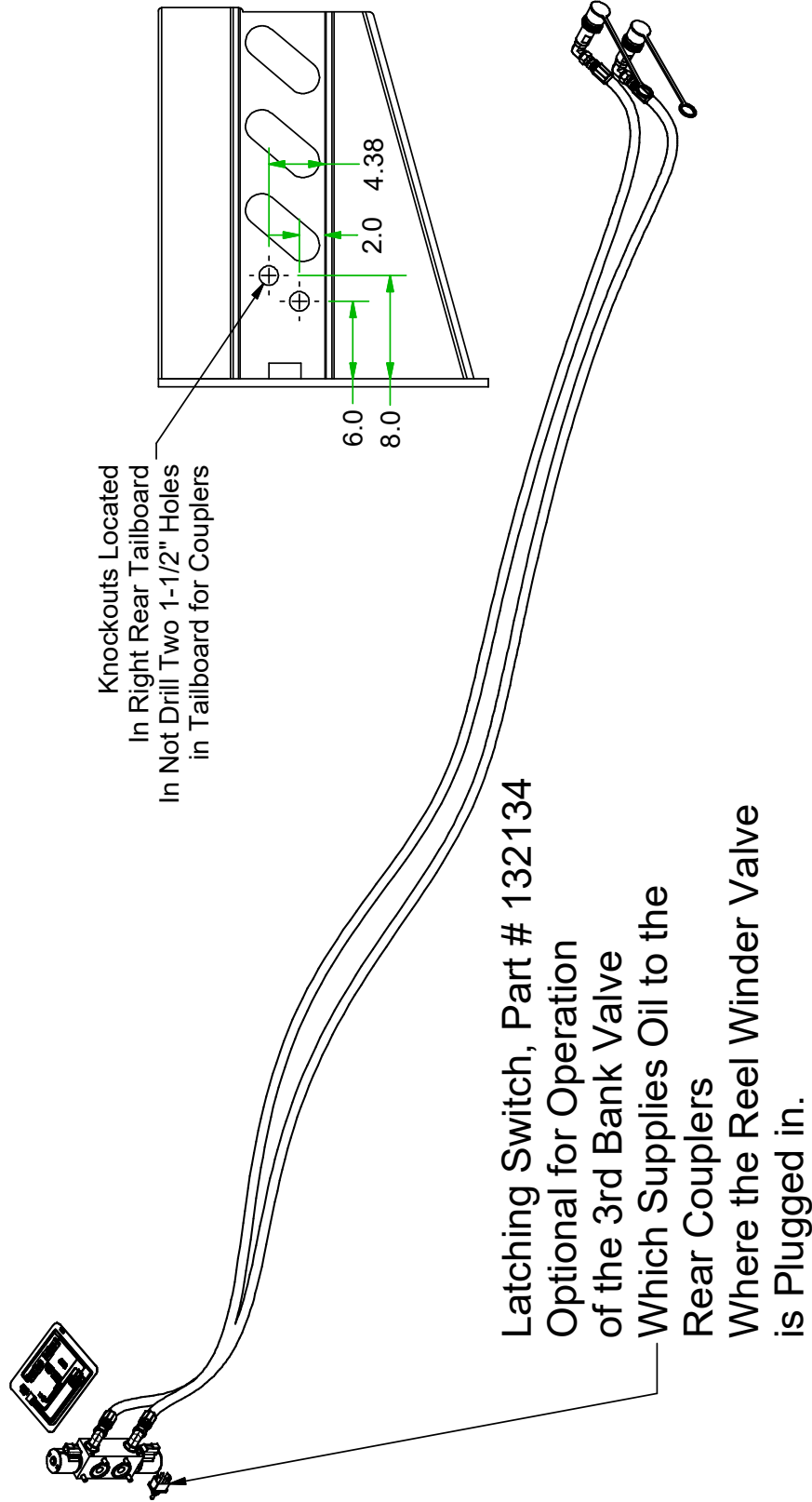
205143

215400

# RT Winder Complete

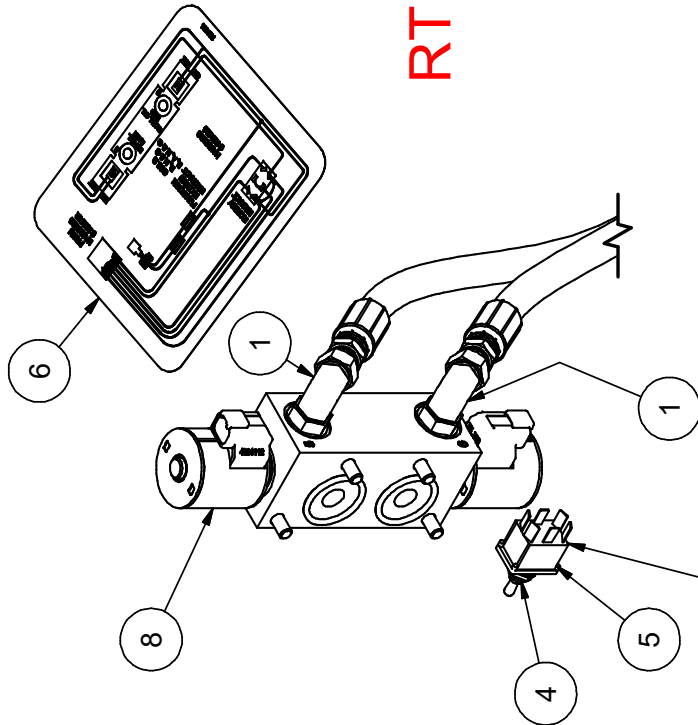


# RT Third Bank Rear Couplers Required for Winder Option



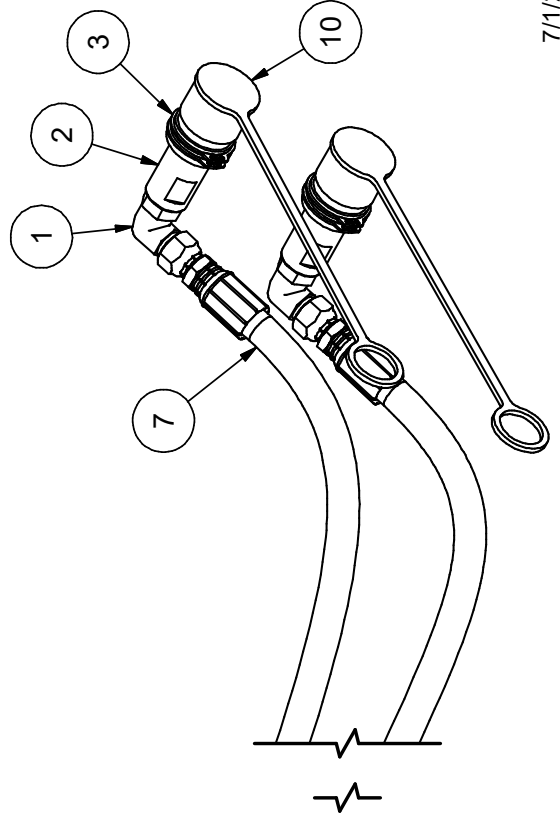
Part# 235024		DESCRIPTION
ITEM	QTY	PART #
1	4	120288
2	2	120581
3	4	120583
4	1	132035
5	1	132127
6	1	202154
7	2	220697
8	1	223045
9	1	232183
10	2	420051

\* Item 9 -- Not Shown



## RT Third Bank Rear Couplers Required for Winder Option

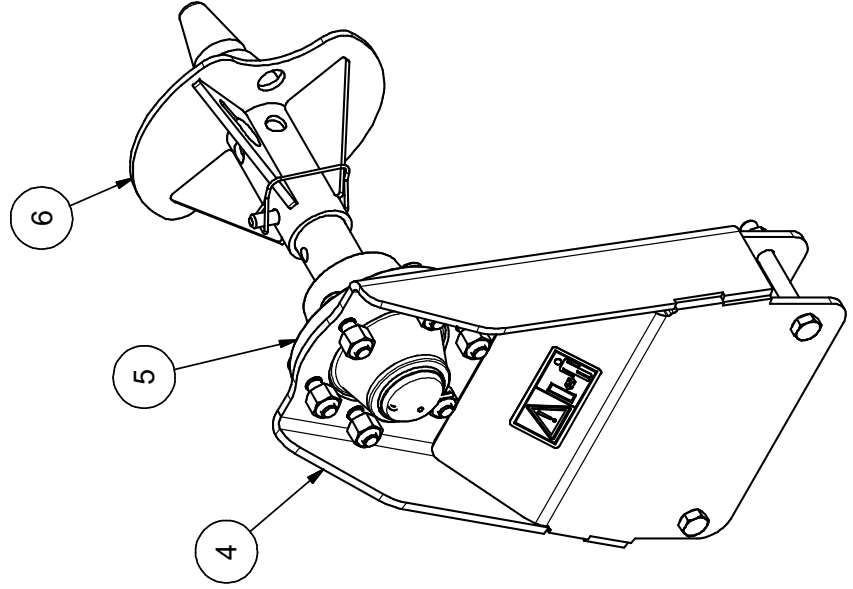
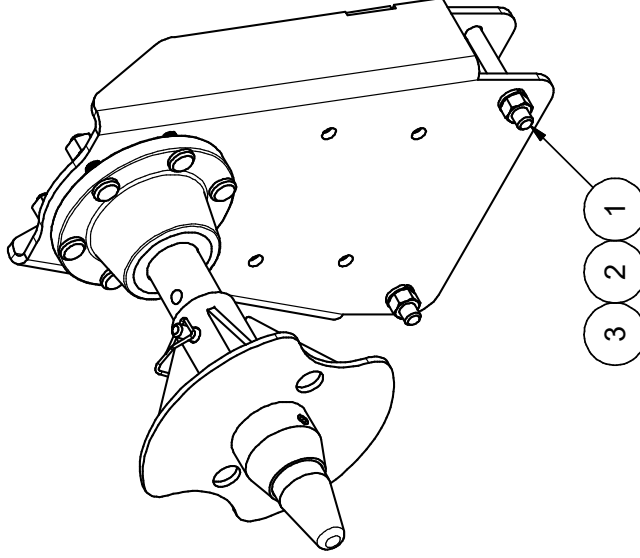
Latching Switch, Part # 132134  
Optional for Operation  
of the 3rd Bank Valve  
Which Supplies Oil to the  
Rear Couplers  
Where the Reel Winder Valve  
is Plugged in.



Part # 205155

ITEM	QTY	PART #	DESCRIPTION
1	4	110407	BOLT, 5/8-11 X 5.0
2	4	110597	NUT, 5/8-11 HEX
3	4	110655	WASHER, 5/8" LOCK
4	2	205158	RT Spindle Riser, 3x4 Arm, Service Part
5	2	214004	Spindle & Hub Assembly, RT
6	2	214010	Spinner Assembly, RT

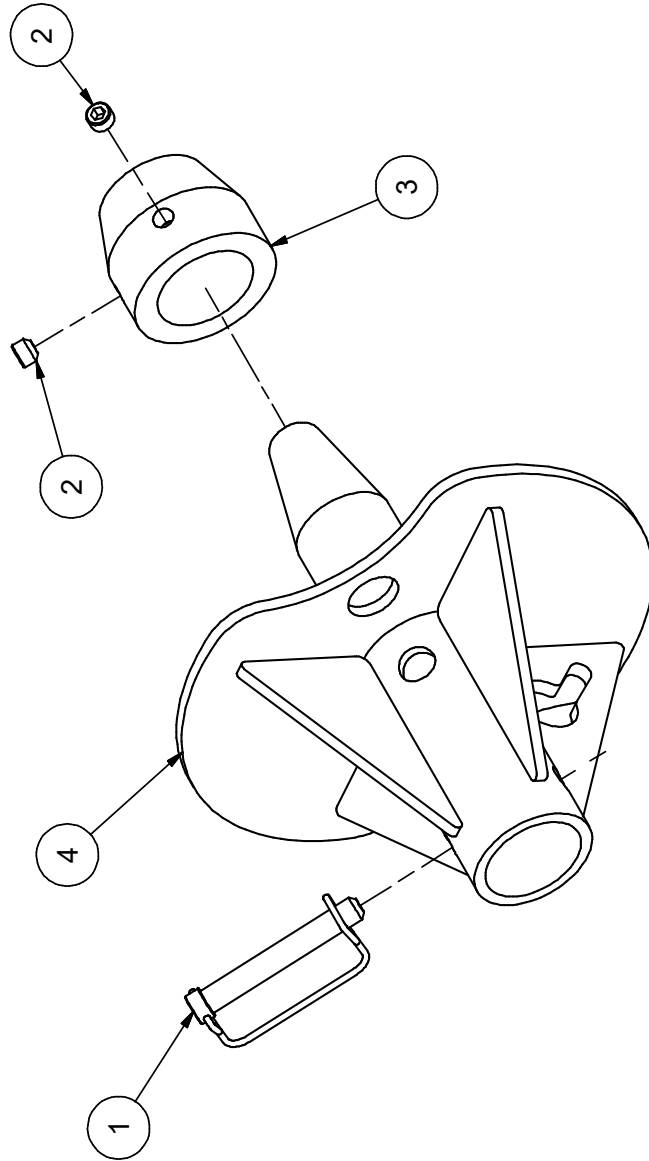
## RT Spinner & Riser Assembly



Part # 214010

ITEM	QTY	PART #	DESCRIPTION
1	1	102124	Pin, Lock, .50 x 3, Grade 8, Single Wire
2	2	111174	SetScrew, 1/2-13 X 0.375
3	1	270032	Centering Cone
4	1	275019	Weldment, RT Reel Spinner

# RT Reel Spinner

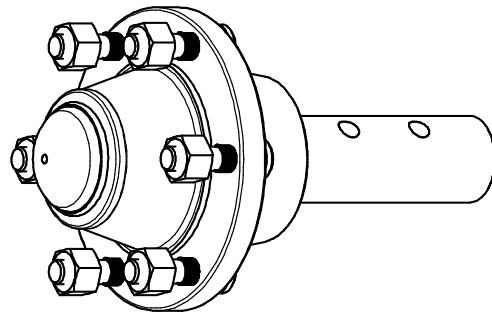
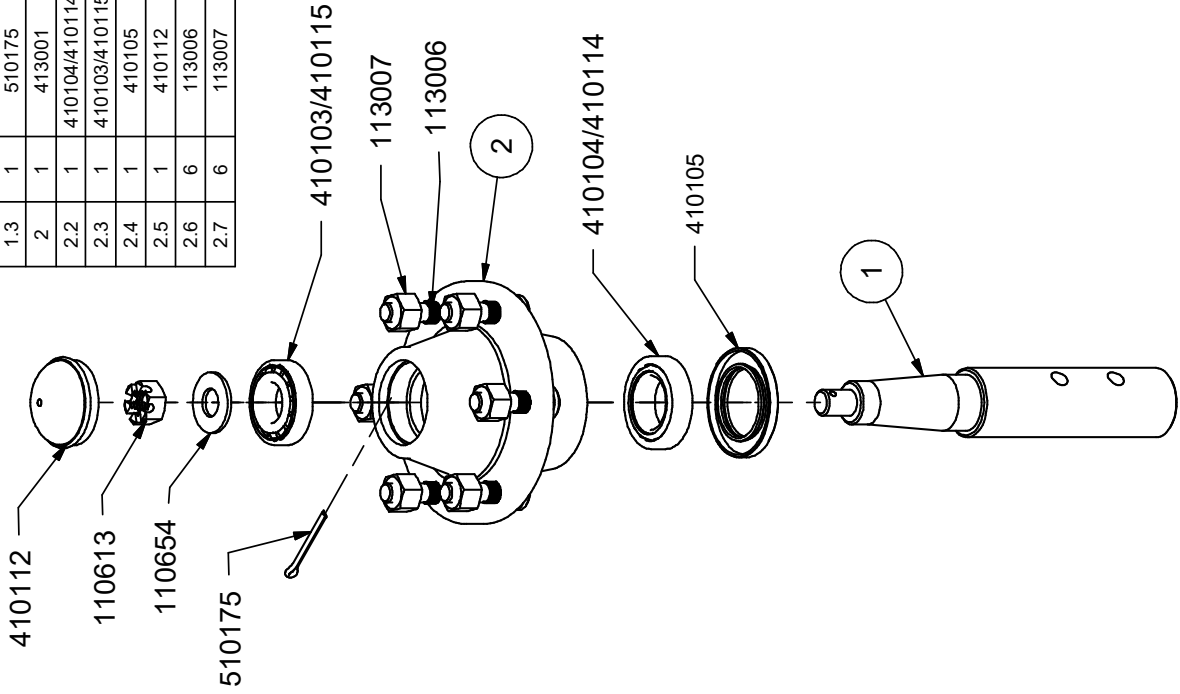


Part # 214004

ITEM	QTY	PART #	DESCRIPTION
1	1	270040	Spindle, RT Reel Spinner
1.1	1	110654	Washer, 1.75 X .815 Spindle
1.2	1	110613	NUT, CASTLE 3/4-16
1.3	1	510175	COTTER PIN, 3/16 X 2
2	1	413001	HUB COMPLETE, 35-6LM
2.2	1	410104/410114	INNER RACE AND BEARING
2.3	1	410103/410115	OUTER RACE AND BEARING
2.4	1	410105	SEAL
2.5	1	410112	DUST CAP
2.6	6	113006	Stud 9/16-18
2.7	6	113007	Nut 9/16-18

**NOTE:**  
Pack bearing cones and lubricate seal lip with grease before assembly.

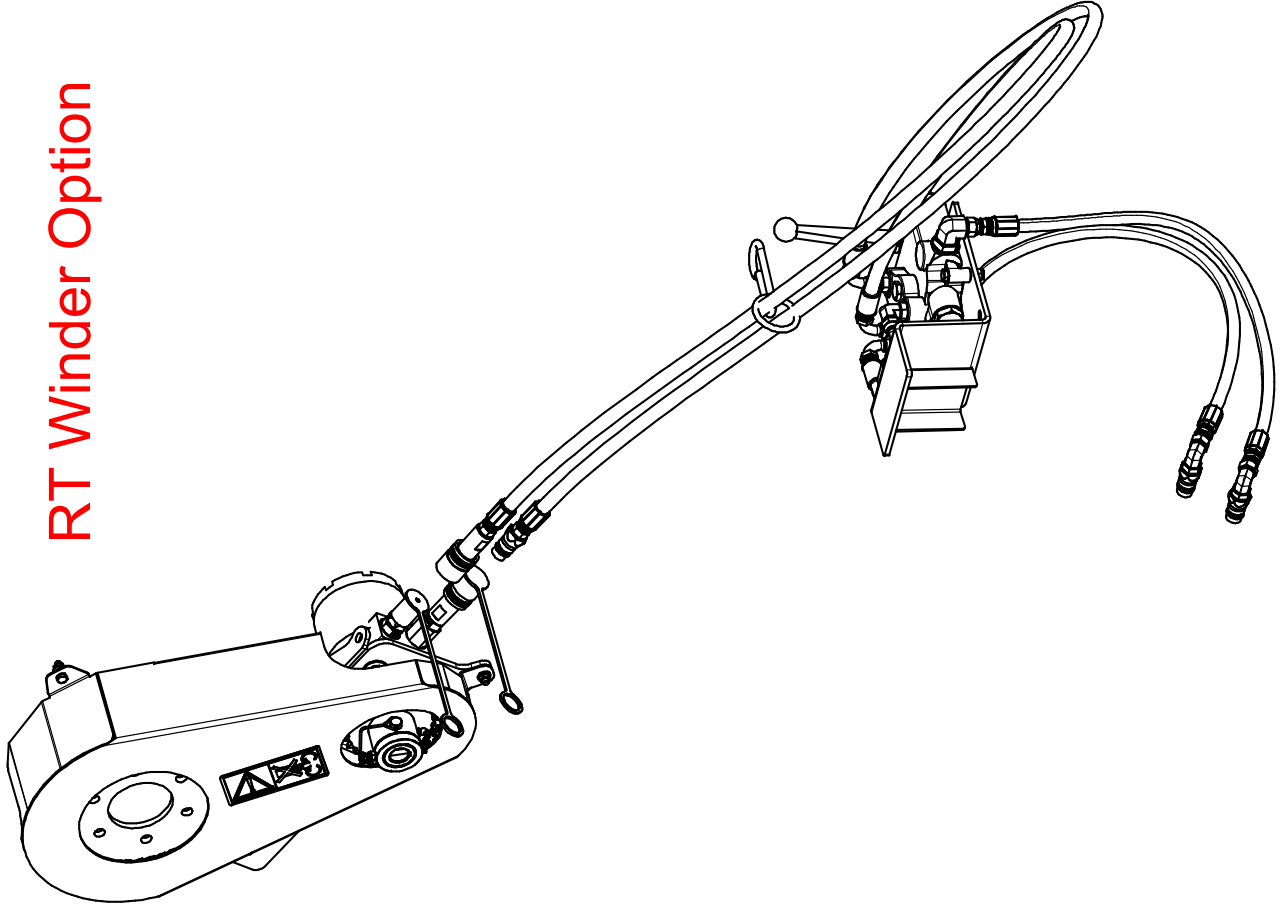
**NOTE:**  
While rotating the rotor to ensure proper seating of the rollers, induce preload by using a torque wrench to tighten the adjusting nut to 50 foot pounds. Then loosen the adjusting nut one full turn. While continuing to rotate the rotor, re-torque the nut, this time to 10 foot pounds. Once again, loosen the adjusting nut, until the next castle opening and hole line up. Properly install and secure the cotter pin to prevent the nut from backing off.



**RT Spindle**



# RT Winder Option



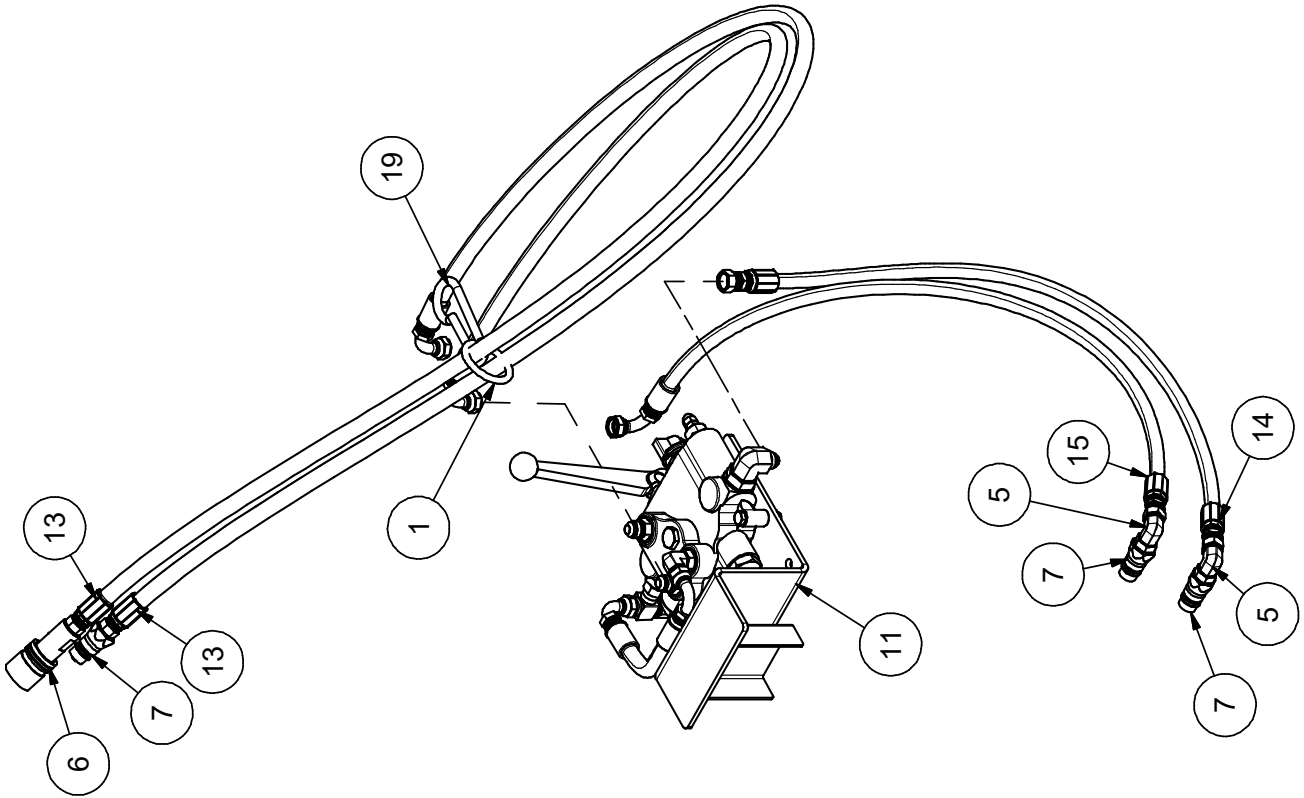
Part # 205157

ITEM	QTY	PART #	DESCRIPTION
1	1	102128	Ring, 2"ID X .312, Zinc, Not For Lifting
2	4	110442	BOLT, 1/2-13 X 1.25
3	3	110606	NUT, 5/16-18 WIZ FLANGE
4	4	110615	NUT, 1/2-13, UNITORQUE LOCK
5	2	120288	ADAPTER, 8MJ-8MB90
6	1	120581	Coupler, Pioneer Female, ORB
7	3	120582	Coupler, Pioneer Male, ORB
8	1	132134	Switch, Toggle, DPDT, On-Off-On
9	1	205283	RT Chain Shield, Service Part
10	1	214008	Drive Sprocket Assembly, RT
11	1	214009	Valve Assembly, RT Winder
12	1	214011	Motor Assembly, RT Winder
13	2	220747	Hose, .50 x 99.0 8fx90/8mb
14	1	220748	Hose, .50 x 41.0 8fx/8fx
15	1	220749	Hose, .50 x 46.0 8fx/8fx/90
16	1	240013	Chain, Drive, RT Winder
17	1	270039	Sprocket, 50A45, Reel Winder
18	1	275014	Weldment, RT Drive Mount
19	1	902208	Carabiner, 3/8", Zinc

Parts List

ITEM	QTY	PART #	DESCRIPTION
1	1	102128	Ring, 2"ID X .312, Zinc, Not For Lifting
5	2	120288	ADAPTER, 8MJ-8MB90
6	1	120581	Coupler, Pioneer Female, ORB
7	3	120582	Coupler, Pioneer Male, ORB
11	1	214009	Valve Assembly, RT Winder
13	2	220747	Hose, .50 x 99.0 8fjx90/8mb
14	1	220748	Hose, .50 x 41.0 8fjx/8fjx
15	1	220749	Hose, .50 x 46.0 8fjx/8fjx90
19	1	902208	Carabiner, 3/8", Zinc

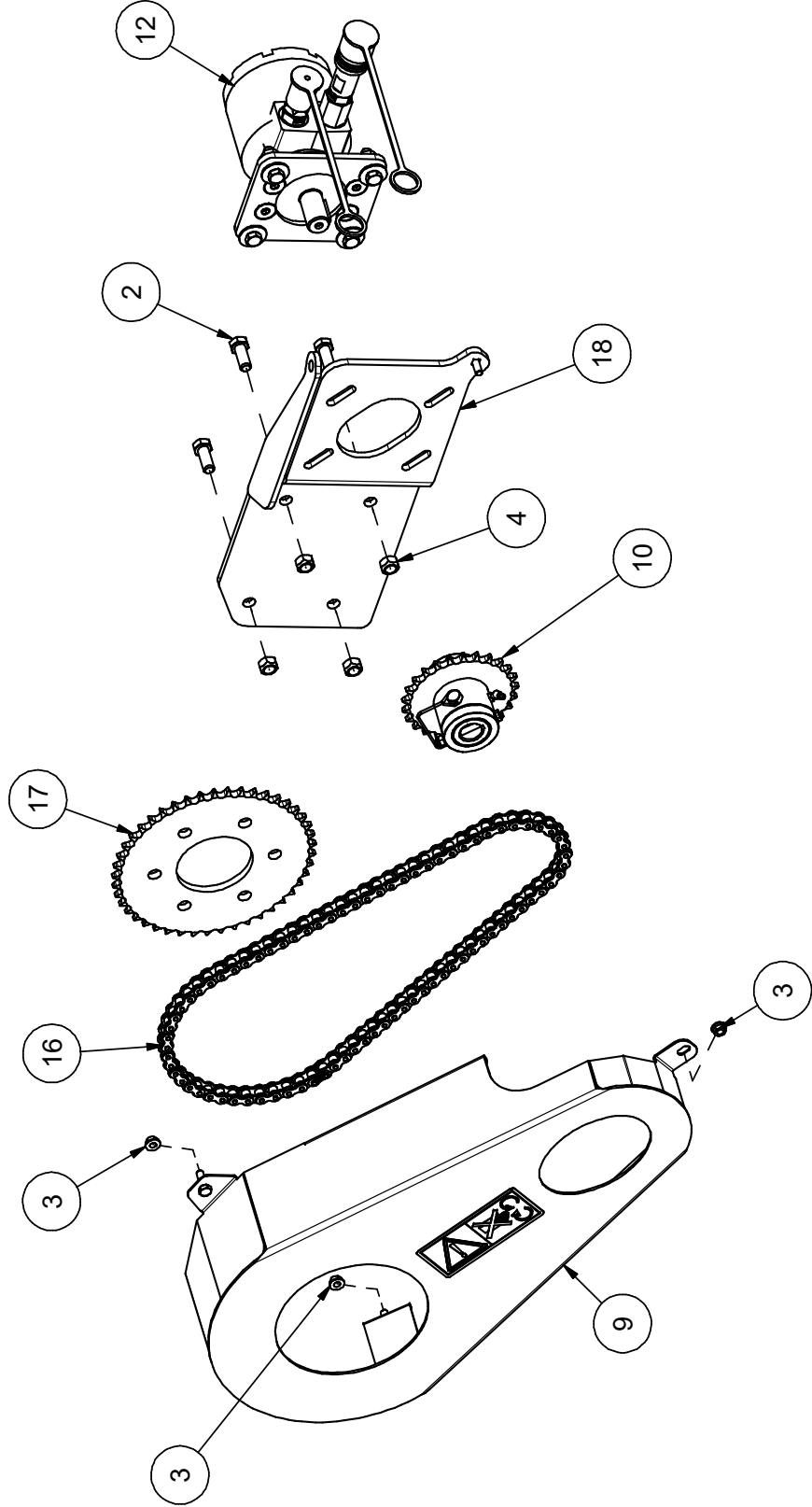
# RT Winder Hoses & Fittings



# RT Winder Mounting Bracket & Shield

Parts List

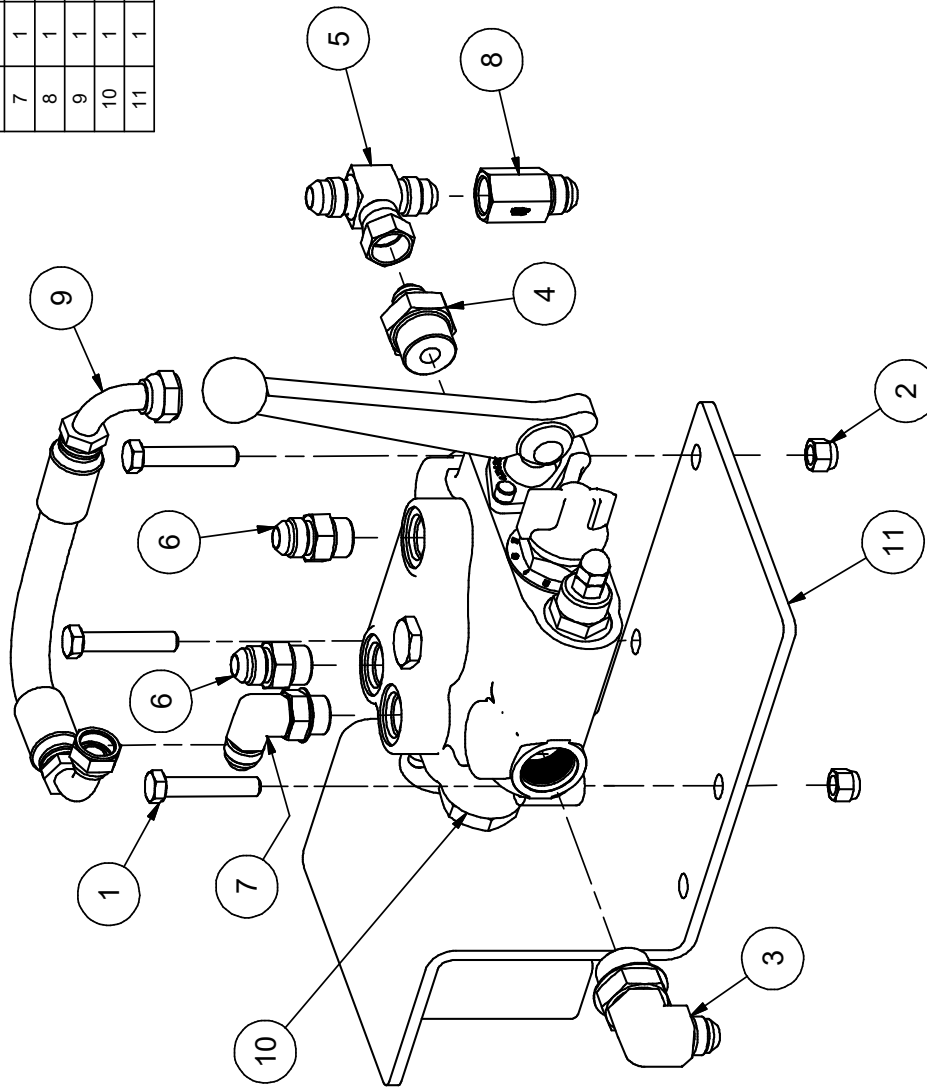
ITEM	QTY	PART #	DESCRIPTION
2	4	110442	BOLT, 1/2-13 X 1.25
3	3	110606	NUT, 5/16-18 WIZ FLANGE
4	4	110615	NUT, 1/2-13, UNITORQUE LOCK
10	1	214008	Drive Sprocket Assembly, RT
12	1	214011	Motor Assembly, RT Winder
16	1	240013	Chain, Drive, RT Winder
17	1	270039	Sprocket, 50A45, Reel Winder
18	1	275014	Weldment, RT Drive Mount
9	1	205283	RT Chain Shield, Service Part



# RT Valve Assembly

Part # 214009

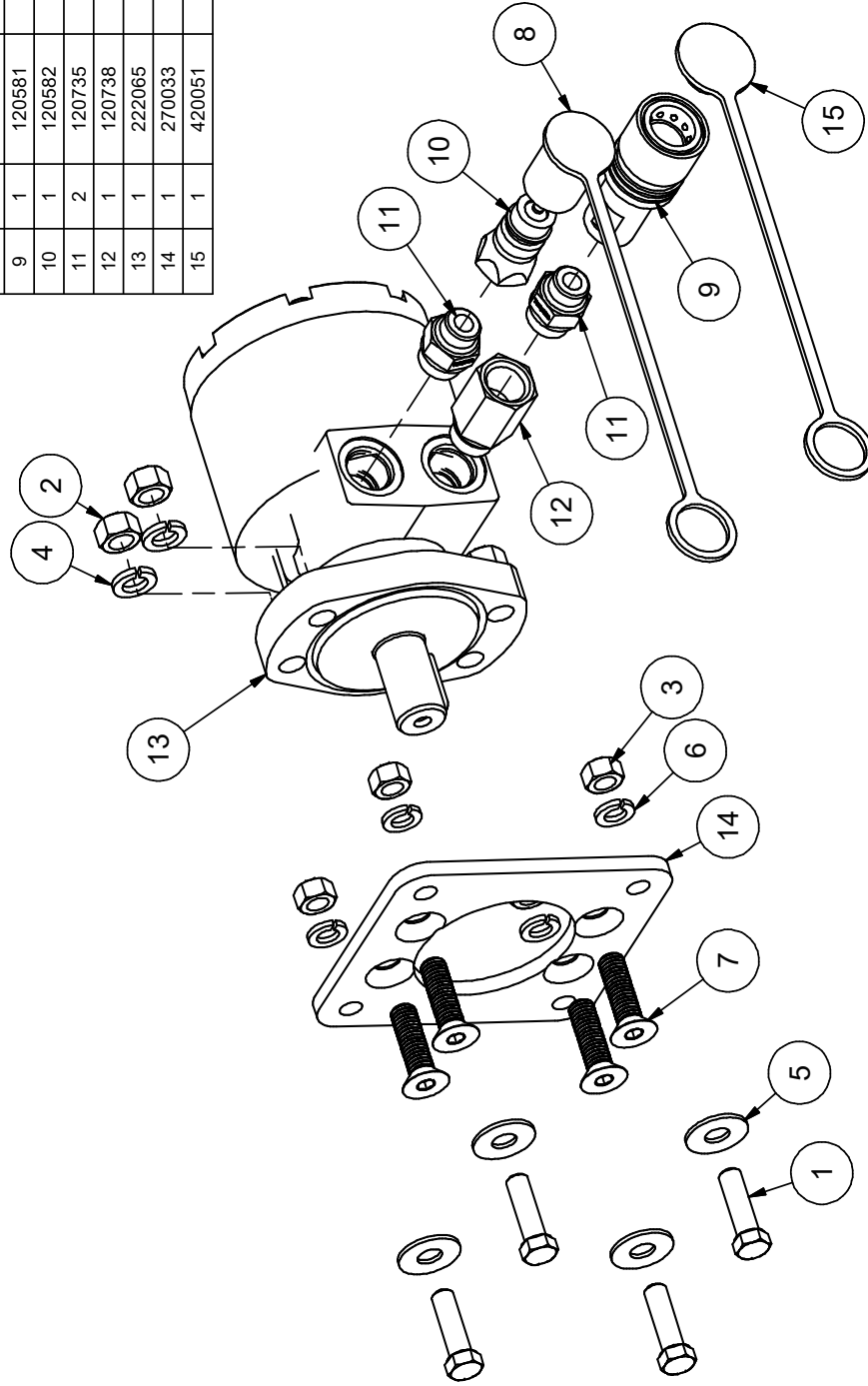
ITEM	QTY	PART #	DESCRIPTION
1	3	110400	BOLT, 3/8-16 X 2.0
2	3	110618	NUT, 3/8-16 LOCK NYLON INSERT
3	1	120246	ADAPTER, 8MJ-12MB90
4	1	120252	ADAPTER, 8MJ-12MB
5	1	120270	ADAPTER, 8MJ-8MJ-8F-JX
6	2	120277	ADAPTER, 8MJ-8MB
7	1	120288	ADAPTER, 8MJ-8MB90
8	1	120535	Valve, Check, 8fj-8mj
9	1	220746	Hose, .50 x 10.0 8fjx90/8fjx90
10	1	223072	Valve, Spool, 1 Bank w/Flow Control
11	1	275021	Weldment, RT Valve Mount, Stake Pocket



# RT Motor Assembly

Part # 214011

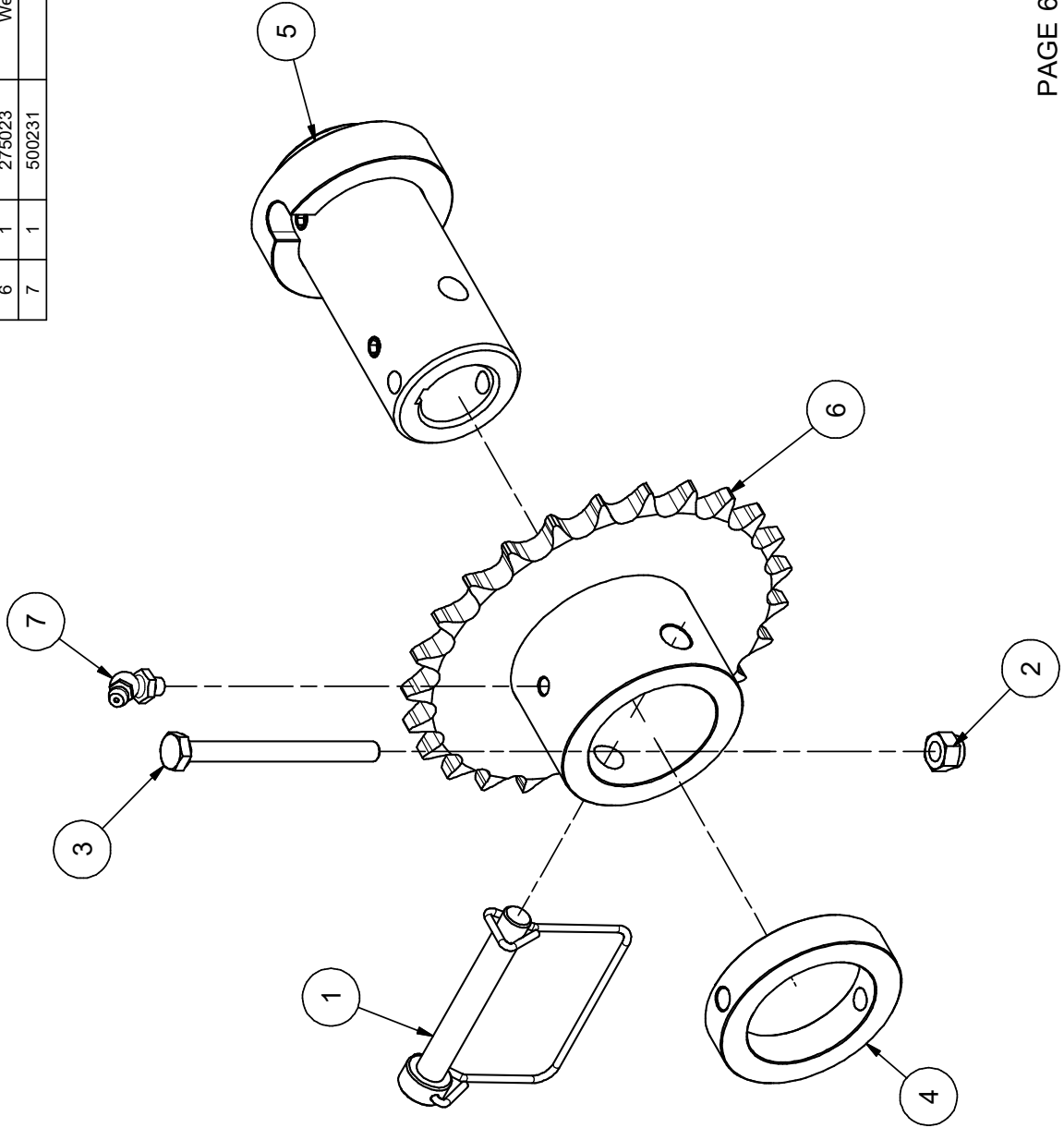
ITEM	QTY	PART #	DESCRIPTION
1	4	110535	BOLT, 7/16-14 X 1.5
2	4	110610	NUT, 1/2-13
3	4	110641	NUT, 7/16-14
4	4	110666	WASHER, 1/2" LOCK
5	4	110670	WASHER, 7/16" FLAT STANDARD
6	4	110671	WASHER, 7/16" LOCK
7	4	111045	Bolt, 1/2-13 x 1.75 FHCS
8	1	112127	Dust Cap, Male Pioneer
9	1	120581	Coupler, Pioneer Female, ORB
10	1	120582	Coupler, Pioneer Male, ORB
11	2	120735	Adapter, 10mb-8mb
12	1	120738	Adapter, 10mb-10fb, Extender
13	1	222065	Motor, Hydraulic, 15.68ci
14	1	270033	Mounting Plate, RT Motor
15	1	420051	DUST PLUG, PIONEER COUPLER



Part # 214008

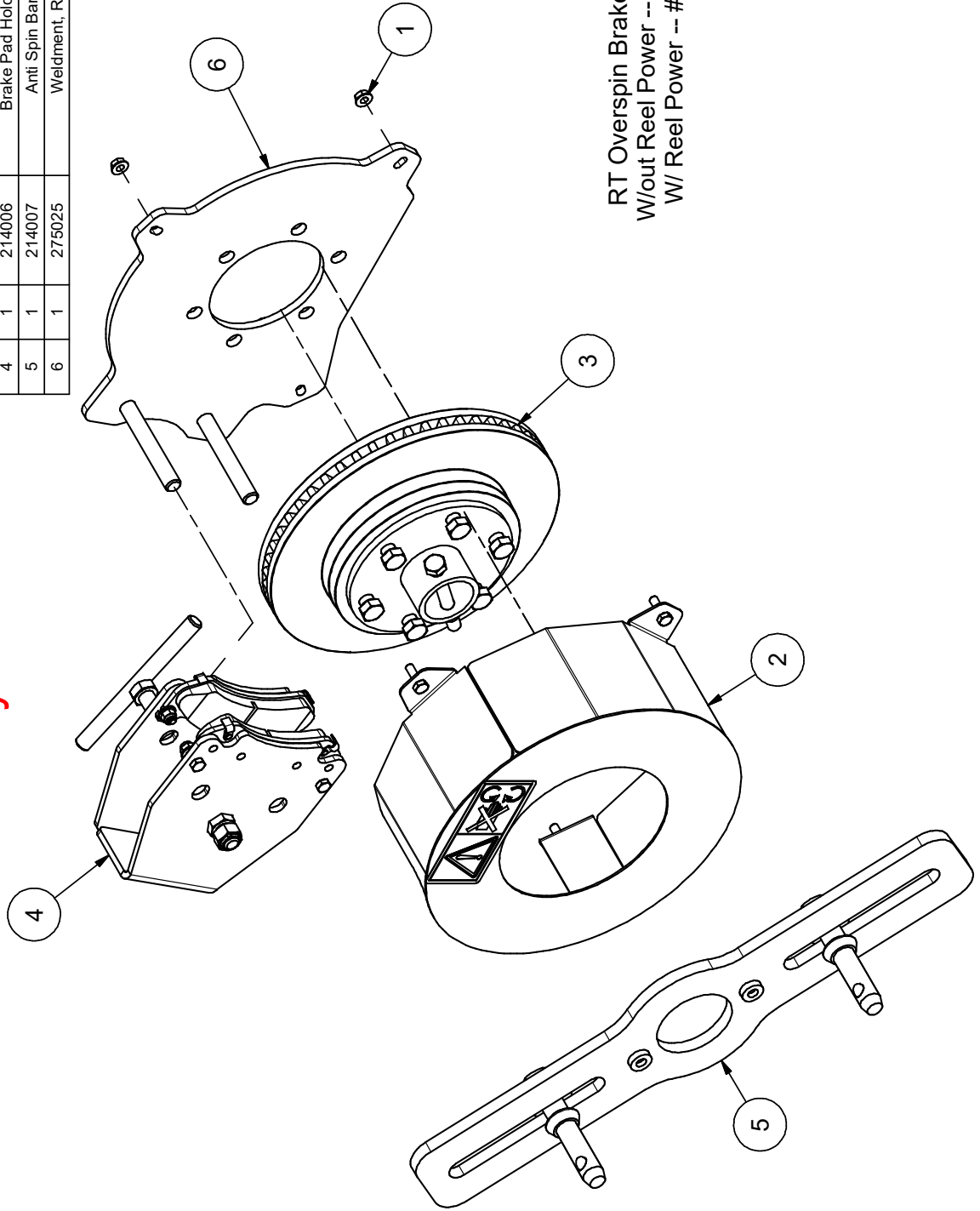
ITEM	QTY	PART #	DESCRIPTION
1	1	102125	Pin, Lock, .375 x 2.5, Grade 8, Single Wire
2	1	110630	NUT, 1/4-20 LOCK (NYLON INSERT)
3	1	110844	BOLT, 1/4-20 X 3
4	1	270036	Stop Collar Outer, Drive Bushing, RT
5	1	275022	Weldment, RT Drive Bushing
6	1	275023	Weldment, RT Drive Sprocket, 5025
7	1	500231	GREASE ZERK, 1/4-28 45deg

# RT Drive Sprocket Assembly



# RT Overspin Brake Option Assembly

Parts List			DESCRIPTION
ITEM	QTY	PART #	
1	3	110606	NUT, 5/16-18 WIZ FLANGE
2	1	205284	RT Brake Shield, Service Part
3	1	214005	Brake Rotor Assembly, RT
4	1	214006	Brake Pad Holder Assembly, RT
5	1	214007	Anti Spin Bar Assembly, RT
6	1	275025	Weldment, RT Brake Mount

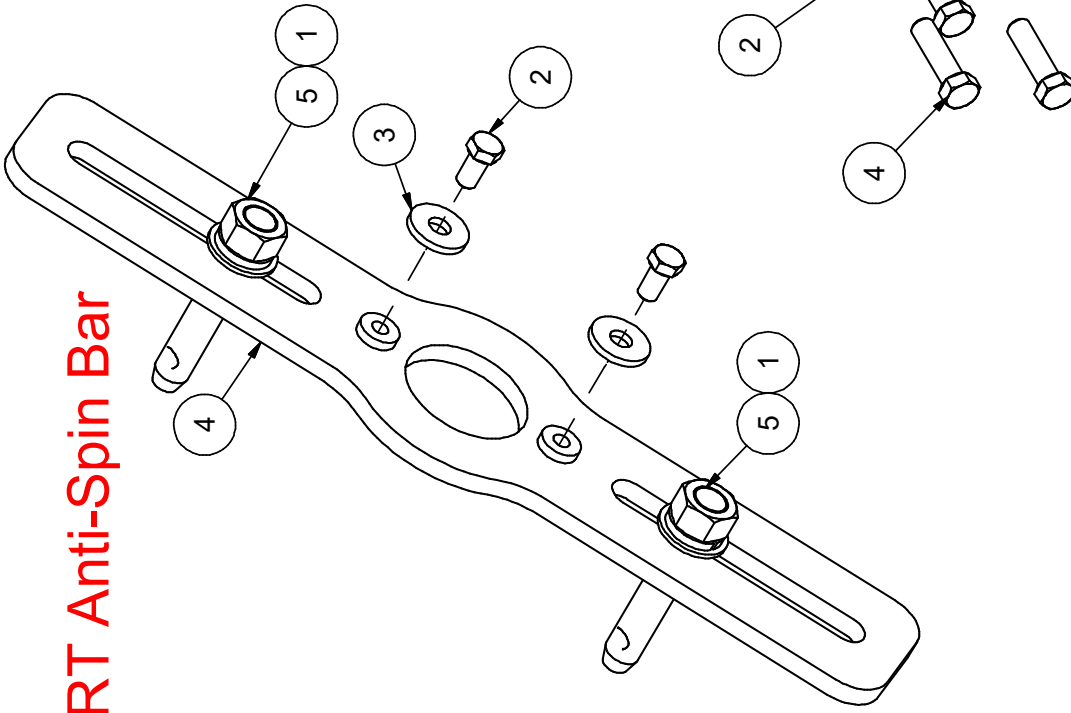


RT Overspin Brake Option  
W/out Reel Power -- # 205156  
W/ Reel Power -- # 205298

Part # 214007

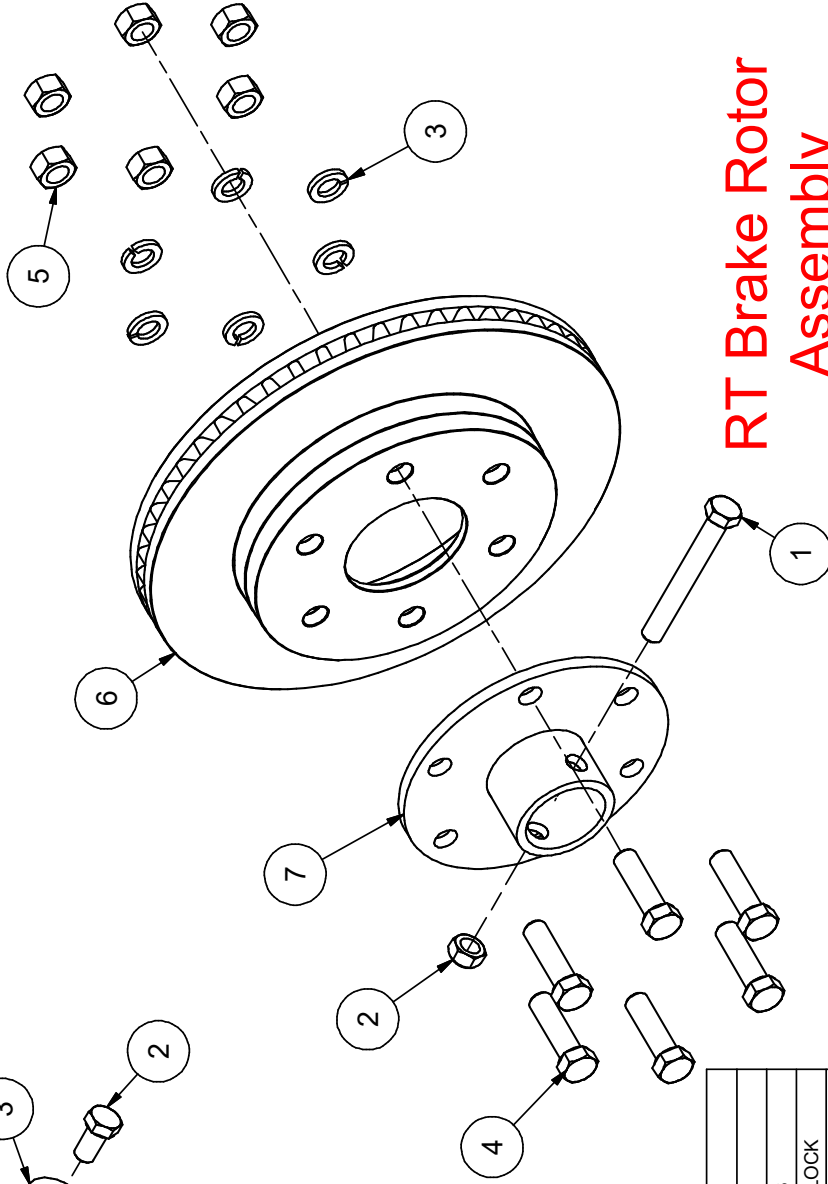
ITEM	QTY	PART #	DESCRIPTION
1	2	110046	WASHER, 7/8" FLAT SAE
2	2	110086	BOLT, 1/2-13 X 1.0
3	2	110660	WASHER, 1/2" FLAT SPECIAL 1 1.50d
4	1	275020	Weldment, RT Anti Spin Bar
5	2	910002	3-Point Pin W/ Hardware

# RT Anti-Spin Bar



Part # 214005

ITEM	QTY	PART #	DESCRIPTION
1	1	110564	BOLT, 1/2-13 X 4, GR8
2	1	110615	NUT, 1/2-13, UNITORQUE LOCK
3	6	110937	WASHER, M14 LOCK
4	6	111177	Hex Cap 9-16x2 UNC
5	6	111178	NUT, 9/16-12, GR 5, Zinc
6	1	242011	Brake Rotor, RT
7	1	275018	Weldment, Disc Brake Rotor Mount



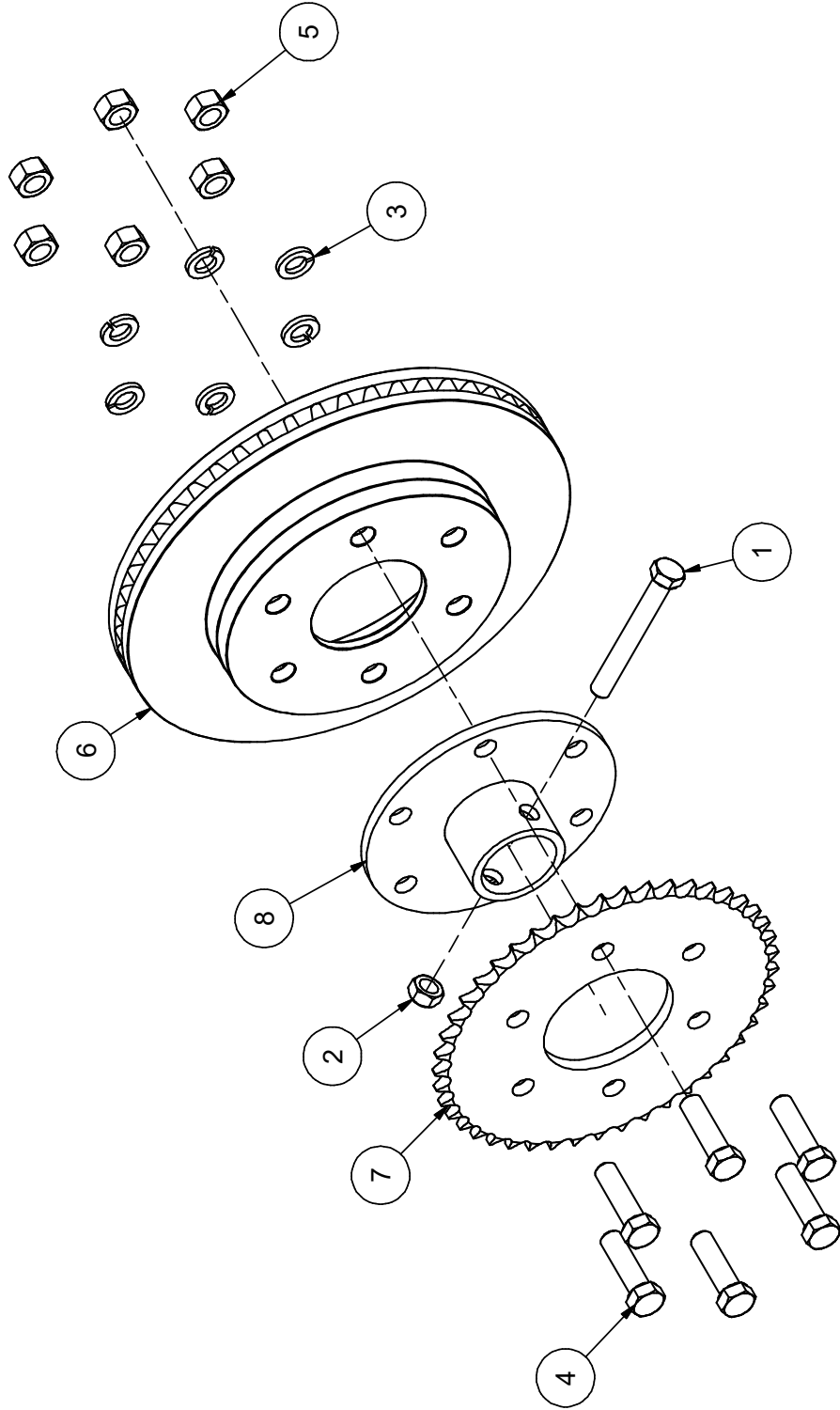
# RT Brake Rotor Assembly



# RT Brake Rotor Assembly W/ Drive Sprocket

Parts List

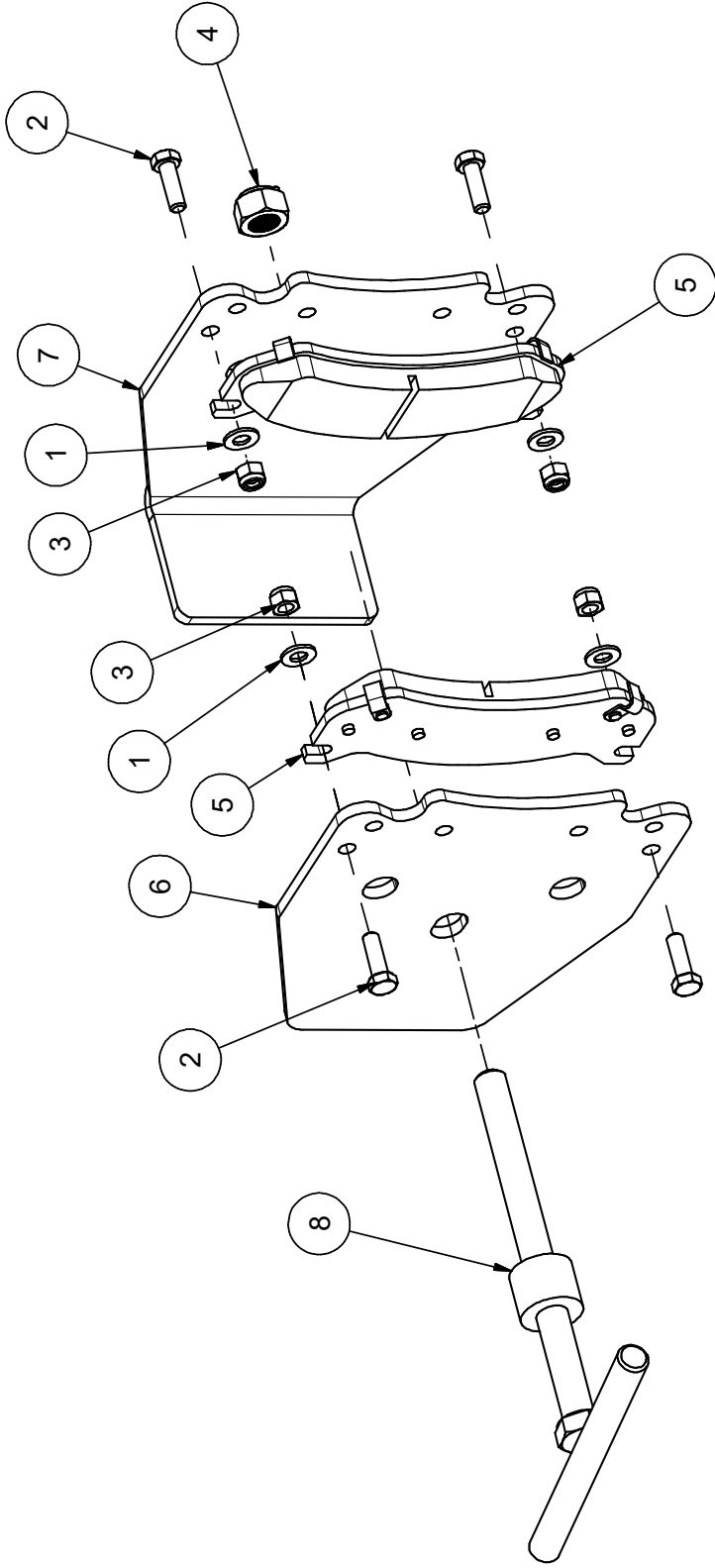
ITEM	QTY	PART #	DESCRIPTION
1	1	110564	BOLT, 1/2-13 X 4, GR8
2	1	110615	NUT, 1/2-13, UNITORQUE LOCK
3	6	110937	WASHER, M14 LOCK
4	6	111177	Hex Cap 9-16x2 UNC
5	6	111178	NUT, 9/16-12, GR 5, Zinc
6	1	242011	Brake Rotor, RT
7	1	270039	Sprocket, 50A45, Reel Winder
8	1	275018	Weldment, Disc Brake Rotor Mount



Part # 214006

# RT Brake Pad Holder Assembly

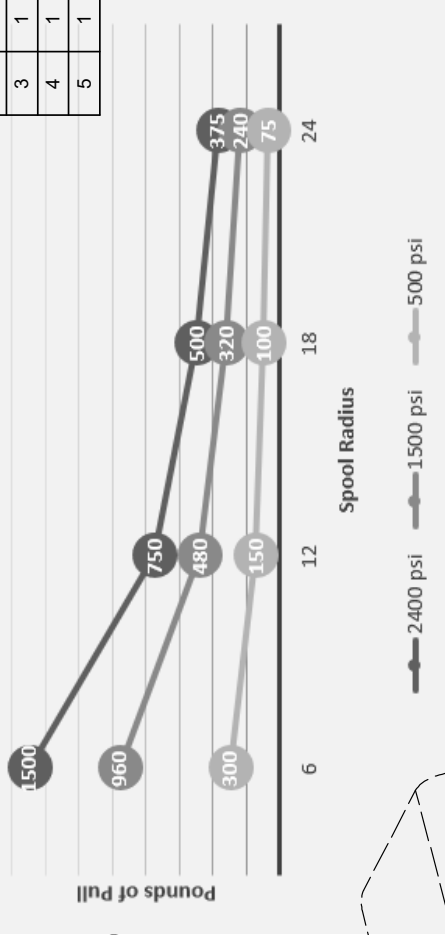
ITEM	QTY	PART #	DESCRIPTION
1	4	110069	WASHER, 5/16" FLAT SAE
2	4	110423	BOLT, 5/16-18 X 1.0
3	4	110603	NUT, 5/16-18 LOCK (NYLON)
4	1	111175	Nut, 5/8-18, Lock, Steel Insert
5	2	242012	Brake Pad, RT
6	1	270017	Brake Pad Holder, Outer
7	1	275016	Weldment, RT Brake Pad Holder
8	1	275017	Weldment, RT Brake Handle



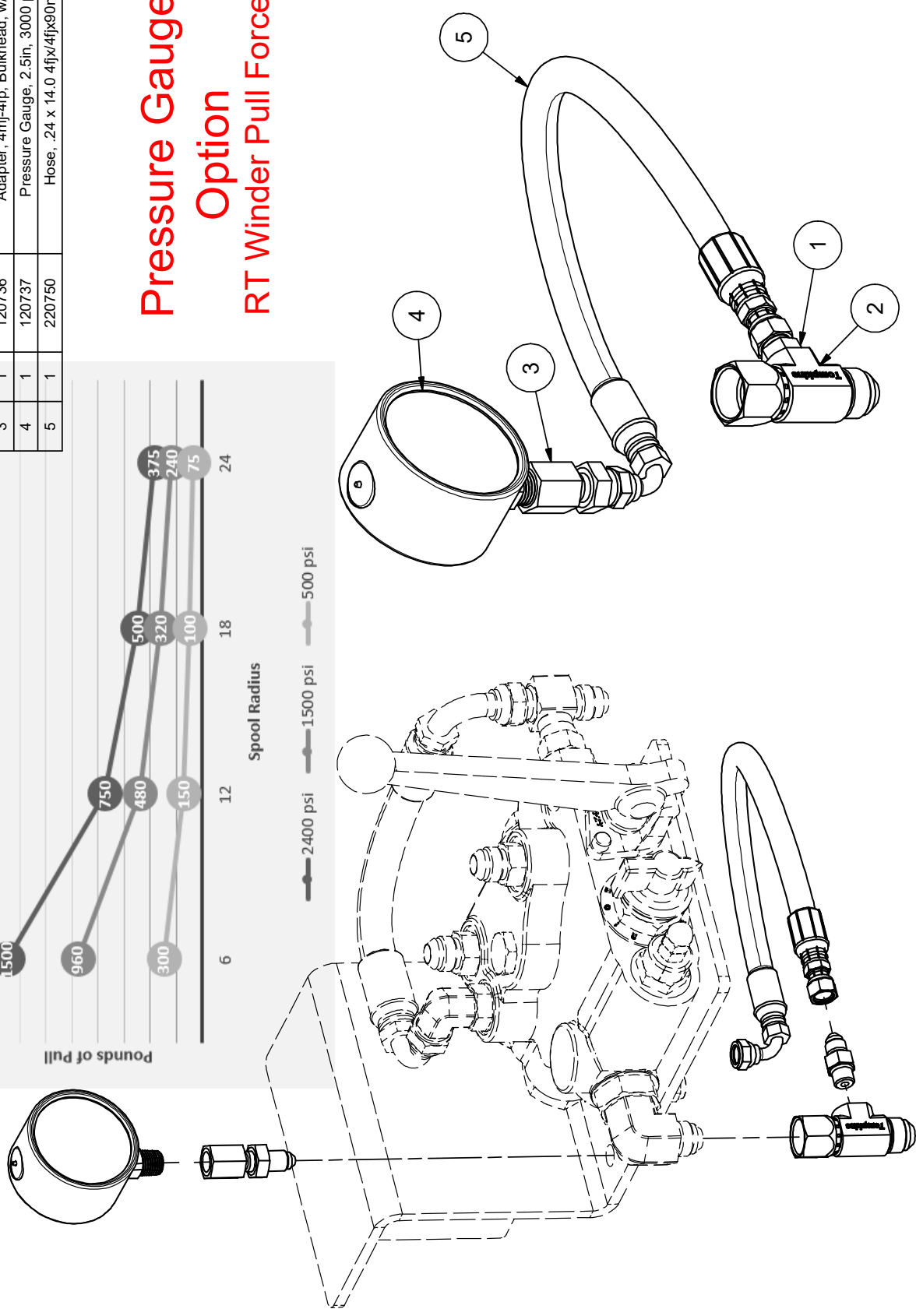
Part # 205285

ITEM	QTY	PART #	DESCRIPTION
1	1	120233	ADAPTER, 4MJ-4MB
2	1	120679	Adapter, 8FJX-8MJ-4FB
3	1	120736	Adapter, 4mj-4fp, Bulkhead, w/LN
4	1	120737	Pressure Gauge, 2.5in, 3000 psi
5	1	220750	Hose, .24 x 14.0 4fjx/4fjx90m

**Pull Force**

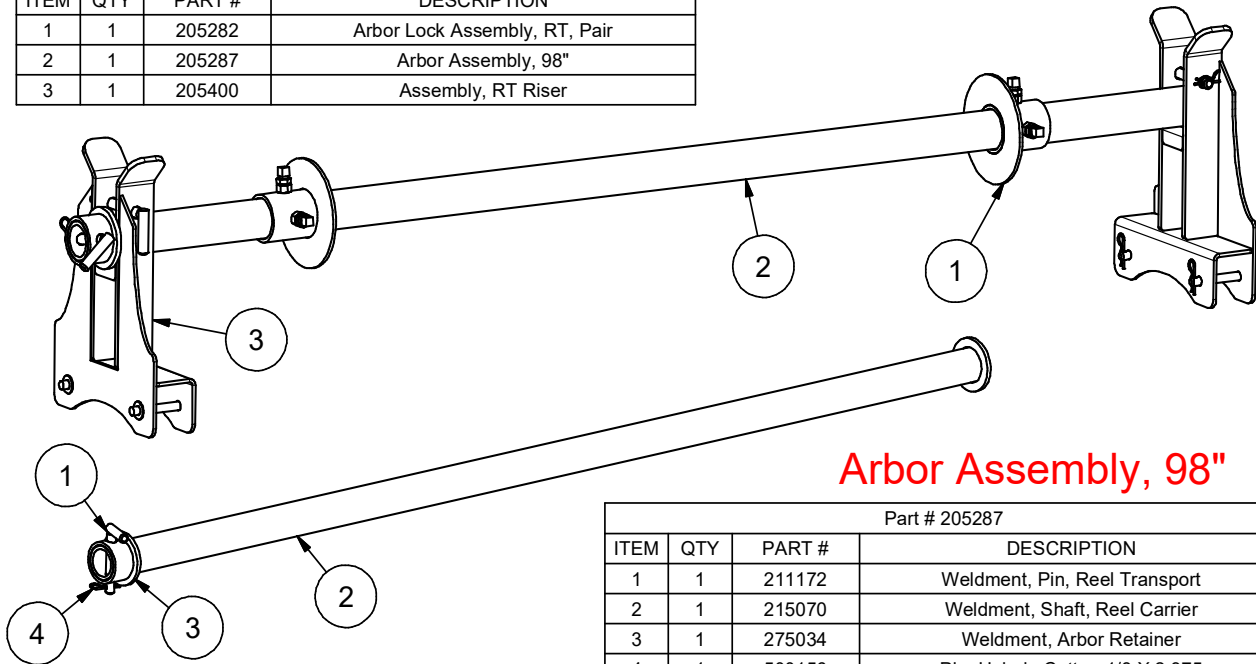


**Pressure Gauge  
Option  
RT Winder Pull Force**



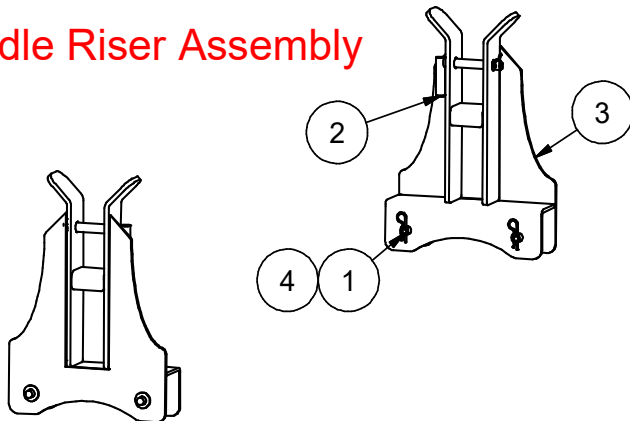
# Cradle Risers, Arbor & Locks

Part # 205292			
ITEM	QTY	PART #	DESCRIPTION
1	1	205282	Arbor Lock Assembly, RT, Pair
2	1	205287	Arbor Assembly, 98"
3	1	205400	Assembly, RT Riser



Part # 205287			
ITEM	QTY	PART #	DESCRIPTION
1	1	211172	Weldment, Pin, Reel Transport
2	1	215070	Weldment, Shaft, Reel Carrier
3	1	275034	Weldment, Arbor Retainer
4	1	500156	Pin, Hairpin Cotter, 1/8 X 2.375

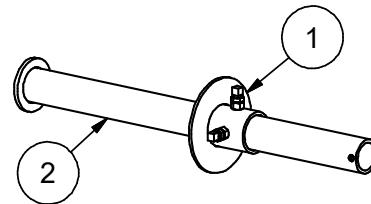
## Cradle Riser Assembly



205400			
ITEM	QTY	PART #	DESCRIPTION
1	4	211171	Weldment, Pin, Reel Transport
2	2	211172	Weldment, Pin, Reel Transport
3	2	215442	WELDMENT, RT RISER
4	6	500156	Pin, Hairpin Cotter, 1/8 X 2.375

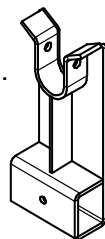
## Arbor Lock Assembly

Part # 205282			
ITEM	QTY	PART #	DESCRIPTION
1	2	275024	Weldment, Arbor Lock, 3"
1.1		110039	NUT, 5/8-11 JAM
1.2		110147	Set Screw, 5/8-11 X 1 1/2 Sq Hd



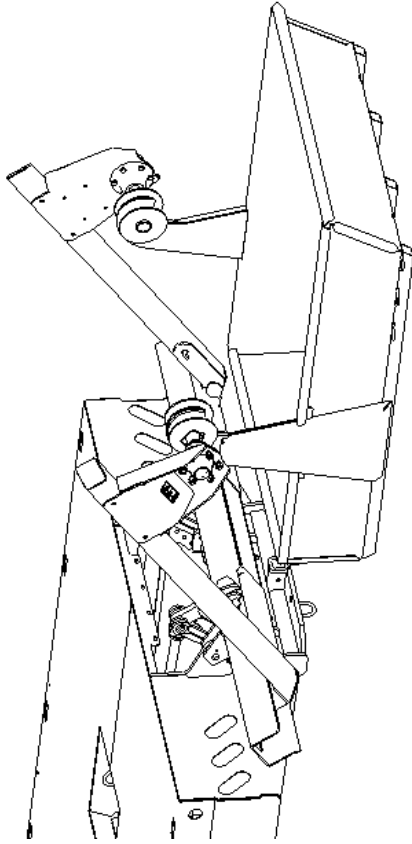
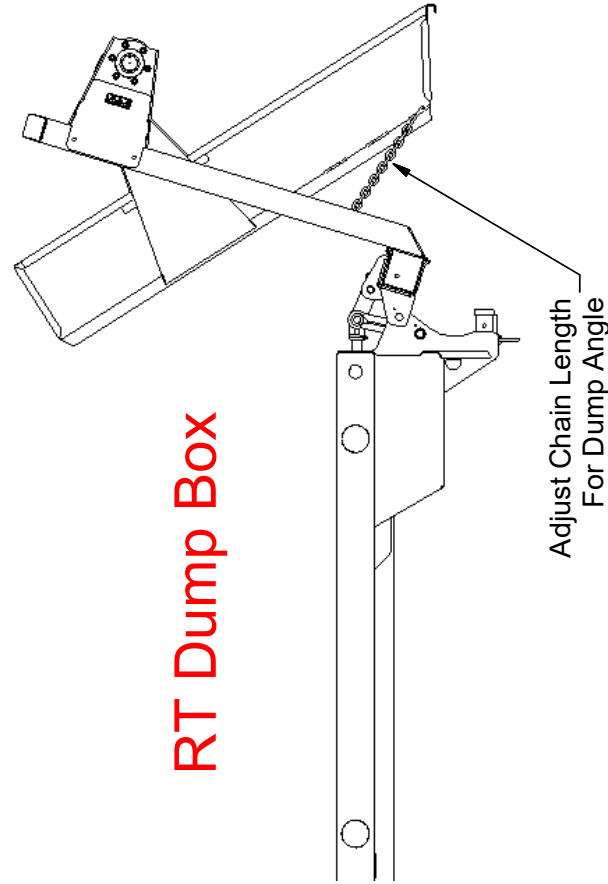
205401			
ITEM	QTY	PART #	DESCRIPTION
1	1	275024	Weldment, Arbor Lock, 3"
2	1	275047	Weldment, RT Arbor Adapter

\*\*\* Old Cradle (211229) is Obsolete.  
 If Replacing Will Need  
 Pair of New Style (205400).  
 Pins are the same.



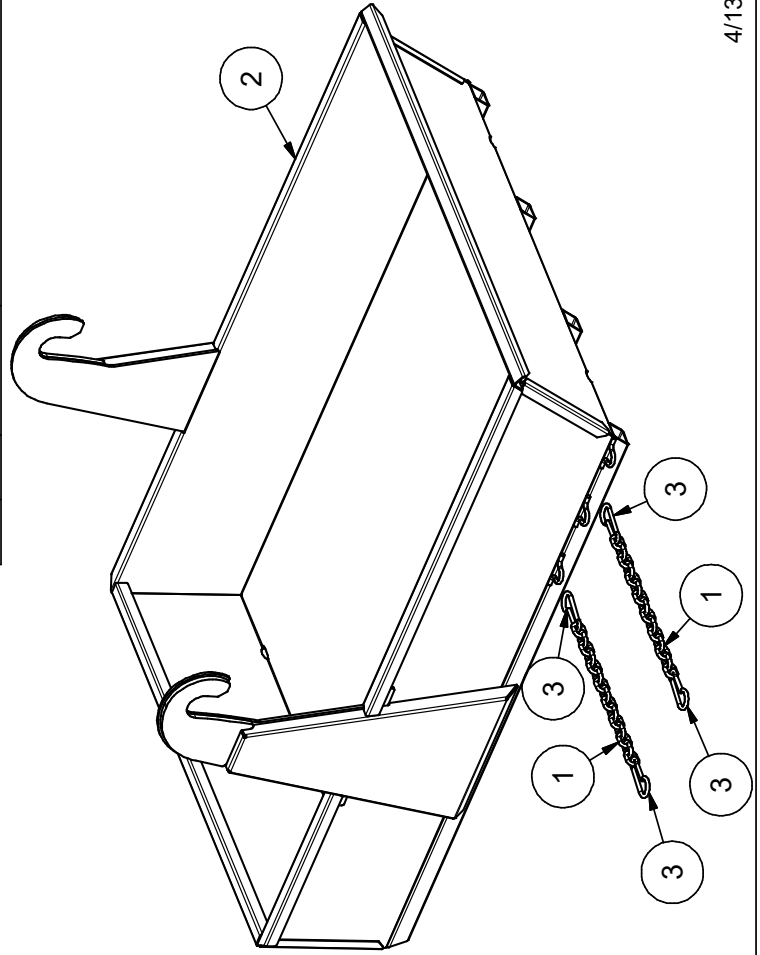
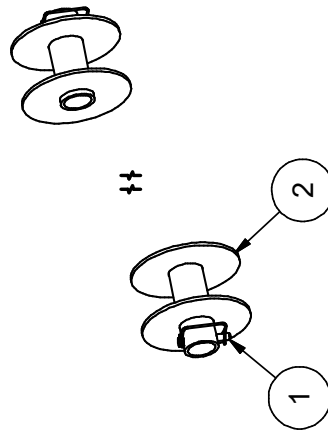
6/14/2022

**RT Dump Box**



Part# 205378

ITEM	QTY	PART #	DESCRIPTION
1	2	270076	Chain, 3/8 Coil, 15 Links
2	1	275028	Weldment, RT Dump Box
3	4	902208	Carabiner, 3/8", Zinc



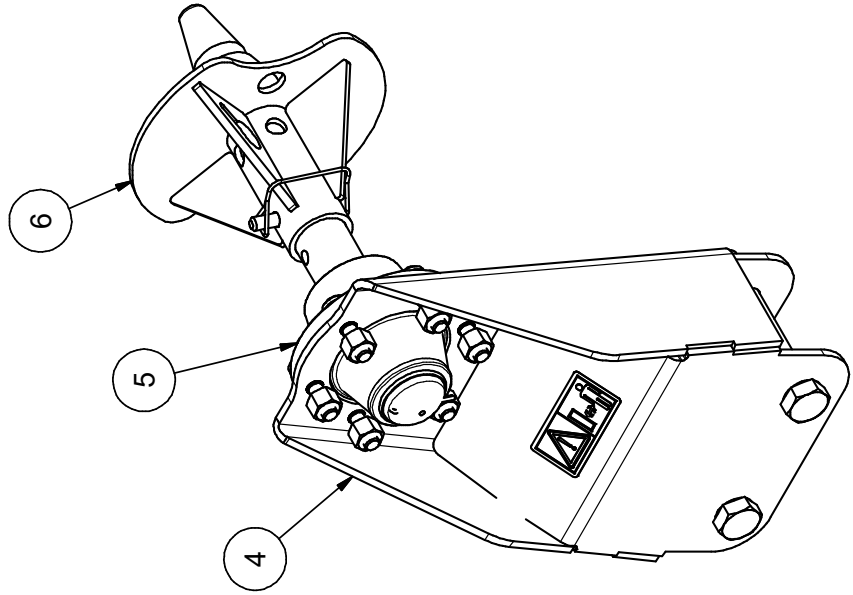
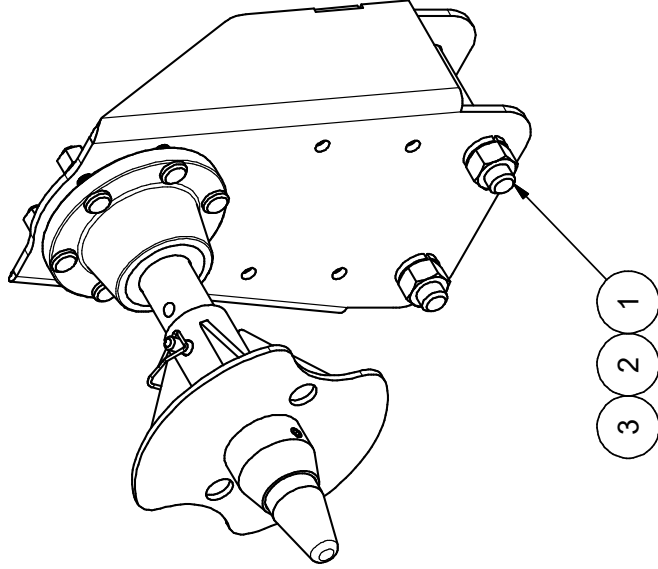
Part# 205383

ITEM	QTY	PART #	DESCRIPTION
1	2	102124	Pin, Lock, .50 x 3, Grade 8, Single Wire
2	2	275029	Weldment, RT Dump Box Spinner

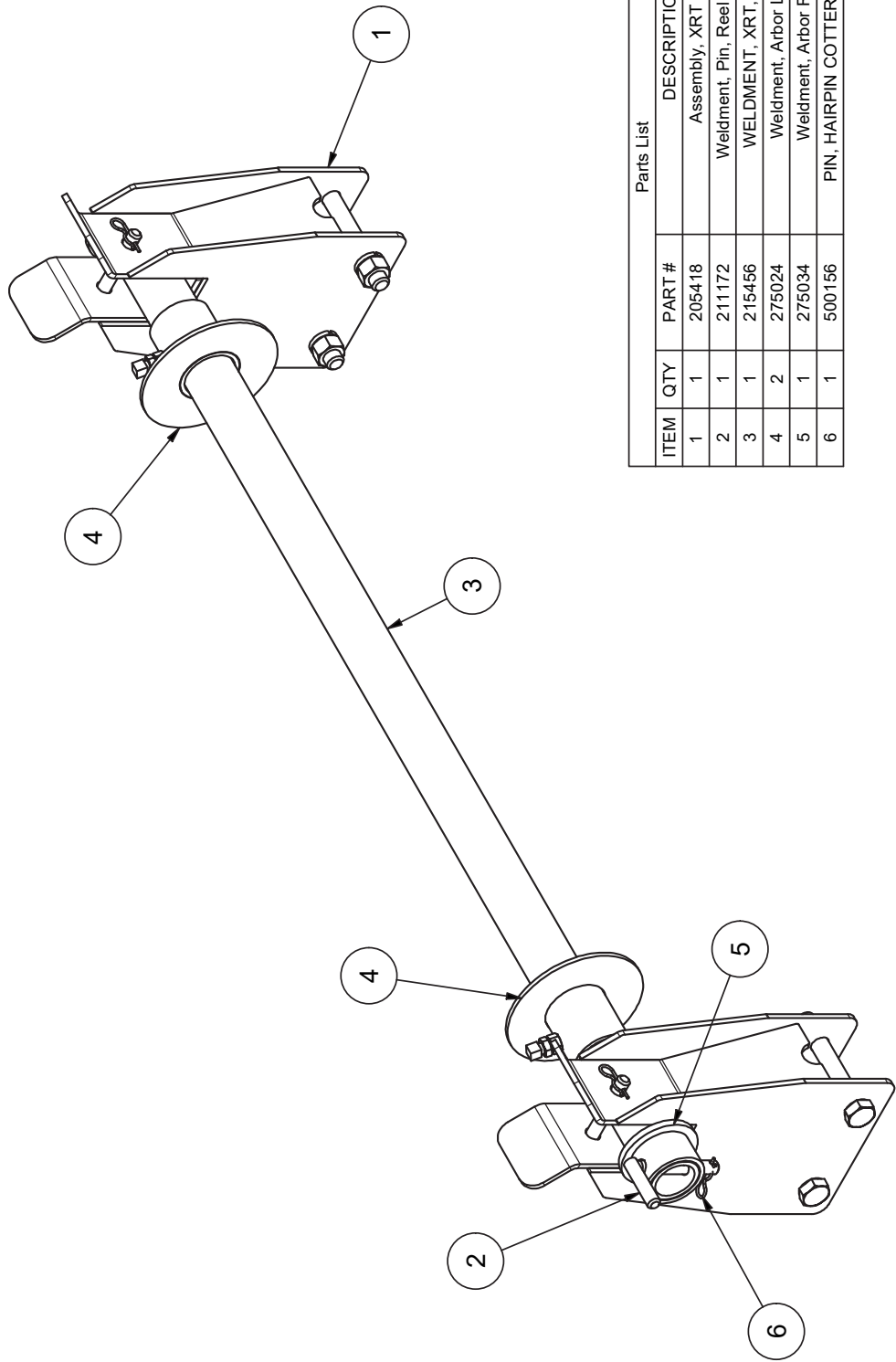
Part # 205412

ITEM	QTY	PART #	DESCRIPTION
1	4	110364	BOLT, 1-8 X 7.0
2	4	110601	NUT, 1-8
3	4	110649	WASHER, 1" LOCK
4	2	205413	XRT Spindle Riser, 4x4 Arm, Service Part
5	2	214004	Spindle & Hub Assembly, RT
6	2	214010	Spinner Assembly, RT

# XRT Spinner & Riser Assembly



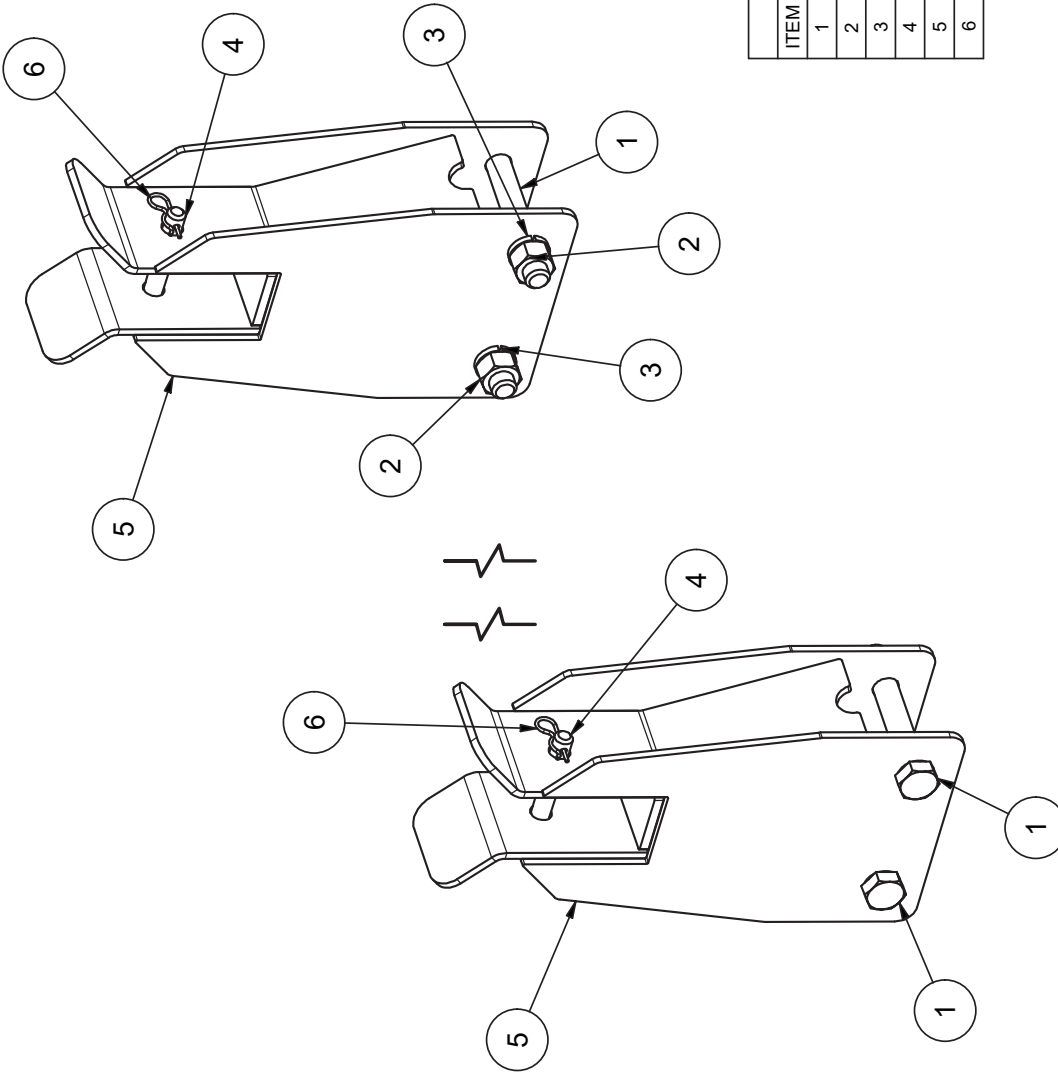
9/8/2022



Parts List

ITEM	QTY	PART #	DESCRIPTION
1	1	205418	Assembly, XRT Riser
2	1	211172	Weldment, Pin, Reel Transport
3	1	215456	WELDMENT, XRT, ARBOR
4	2	275024	Weldment, Arbor Lock, 3"
5	1	275034	Weldment, Arbor Retainer
6	1	500156	PIN, HAIRPIN COTTER, 1/8 X 2.375

# XRT Cradle Riser, Arbor, & Locks



Parts List

ITEM	QTY	PART #	DESCRIPTION
1	4	110364	BOLT, 1-8 X 7.0
2	4	110601	NUT, 1-8
3	4	110649	WASHER, 1" LOCK
4	2	211172	Weldment, Pin, Reel Transport
5	2	215454	WELDMENT, XRT RISER
6	2	500156	PIN, HAIRPIN COTTER, 1/8 X 2.375

# XRT Riser Assembly



## GatorHyde Repair Instructions



### Required items:

- 1 – 25 x 25 ml caulking gun (202030)
- 1 – 25 x 25 ml cartridge set of GatorHyde Repair Material (202031)
- 1 – ¼" x 6" mixing wand (202032)
- 1 – pair of rubber gloves
- 1 – wooden stick
- 1 – Instruction sheet and MSDS sheet
- 1 – MEK – methyl ethyl ketone solvent (available at most hardware stores)
- 1 – small paint brush
- 2 – plastic cups

### SAFETY WARNING!

Read the Master Safety Data Sheets (MSDS) on all chemicals before handling any chemical.  
See: <http://www.msds.com>

### Note:

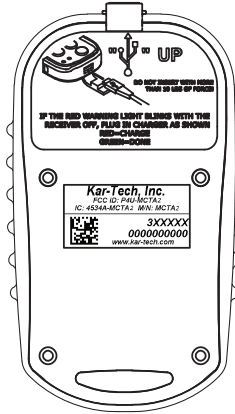
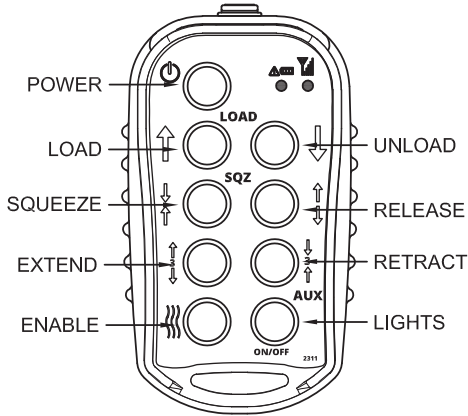
This repair is designed to easily fix small, damaged areas fast and with limited amount of effort. However this product is fast reacting so make sure to thoroughly read this instruction sheet before proceeding with repairs.

### Application Instruction:

- Step 1.** Before you start, put on rubber gloves and safety glasses.
  - Step 2.** Place a piece of cardboard or newspaper next to the repair area prior to opening and mixing the material.
  - Step 3.** Cut back damaged area with a razor knife to make a square.
  - Step 4.** Sand area and feather edges with 40 grit sandpaper. Blow out sanded area to get rid of dust.
  - Step 5.** Clean area well with MEK solvent and allow to dry for 30 minutes.
  - Step 6.** Attach static mixing wand to 25 x 25 ml cartridge set, twist and lock in place. Insert cartridge into caulking gun.
  - Step 7.** Hold the caulking gun in an upright position in one hand, then set the two plastic cups on a flat surface side by side. Next point the static mixing wand into a cup and squeeze the trigger of the gun two times so a small amount of material is discharged into the cup. (Note! This material is to be discarded.) Immediately move the static mixing wand over and point it into the next cup and continue to discharge the remaining amount of material into this cup.
  - Step 8.** Allow the material to set in cup and gently stir with wooden stick for a period of 1 to 1 ½ minutes or until the GatorHyde becomes thicker and will stick to either a finger or wooden stick.
  - Step 9.** Once material has begun to gel, apply enough product to finger or a stick and immediately dab onto damaged area. Use the paint brush to dab the area in a vertical manner to make a textured surface.
- Cure time.** Allow repaired area to cure for a period of 1 hour prior to heavy impact loading.
- Clean-up.** In order to clean up the area take a paper sack or plastic trash bag and place all the empty jars and remaining contents of the repair kit and dispose into a standard trash can or simply put everything back in the box and throw away.

GatorHyde Protective Coatings, Inc., 2210 South Highway 69, Wagoner, OK 74467 \* (918) 485-2835 \*  
[www.gatorhyde.com](http://www.gatorhyde.com)

# Appendix II



TRANSMITTER (P/N: 3A151GA)

## Remote Control

### SYNCHRONIZING TRANSMITTER AND RECEIVER

To teach the transmitter ID code to the receiver, use the following procedure:

1. Make sure the receiver and transmitter are OFF.
2. Press and hold transmitter's button 1 and 8 (as shown) then press Power button until both LEDs start blinking, then release buttons.
3. Apply power to the receiver.
4. Wait for ~5 seconds or until the green LED on the transmitter starts blinking rapidly.
5. Teach complete.

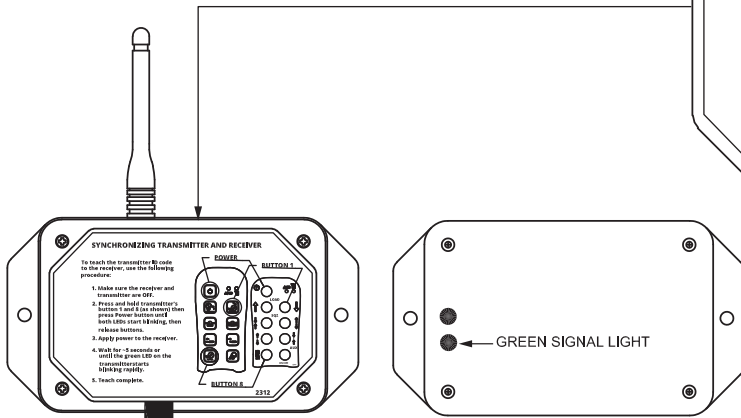
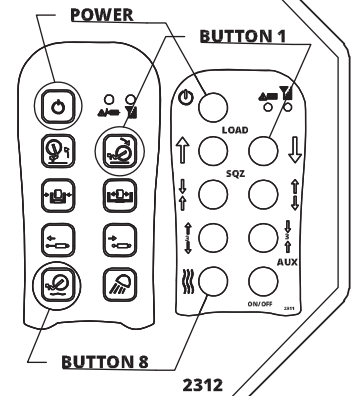
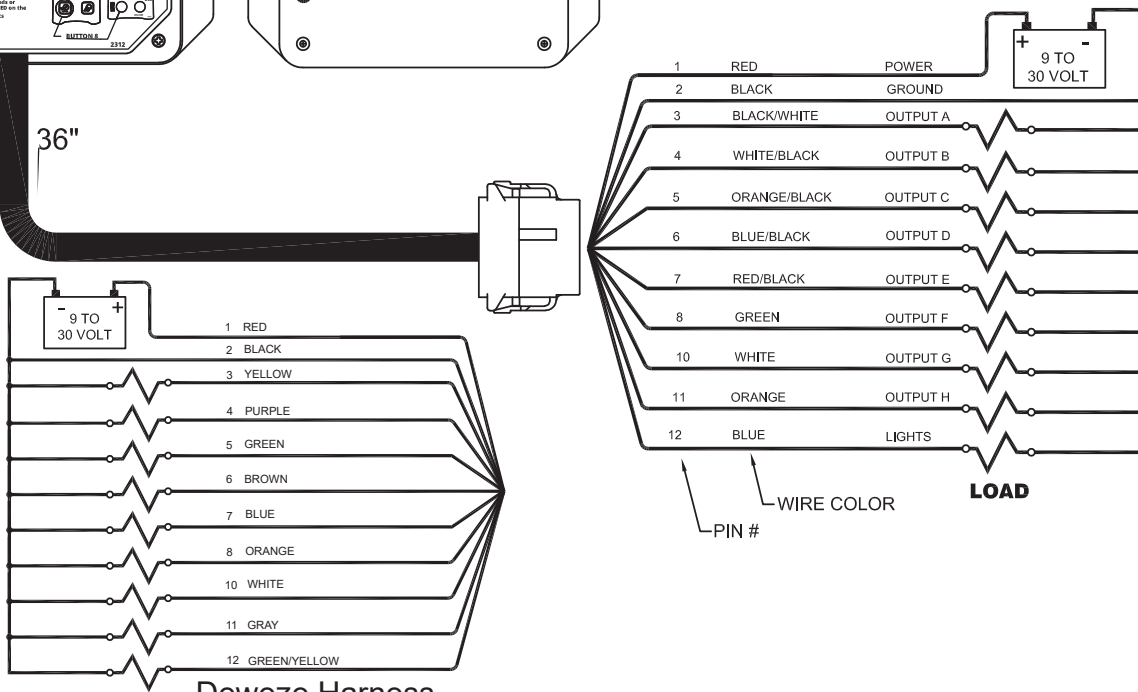


FIG. 1: RECEIVER WITH COVER REMOVED



**OPERATION**

- To turn on the transmitter, press and hold the POWER button for at least 2 seconds and release
- To turn the transmitter off, press and hold the POWER button until the LEDs stop toggling
- The transmitter is designed with a power saving feature which turns the transmitter off after 15 minutes irrespective of receiver status.
- There are red and green LEDs both on the keypad of the transmitter and inside the receiver case. The green LED will double blink when no buttons are pressed, blink rapidly when talking to the receiver & a button is pressed, and it will slowly blink if there is no communication (i.e. - no power to the receiver) when a button is pressed.
- The red LED on the receiver will blink if there is a shorted or open output. Refer to the ERROR CODE CHART table and count the number of blinks to determine the output with the fault.
- The transmitter's red LED blinks 1 time per second if the battery is low and needs charging.
- If transmitter is powered off or goes out of range outputs will turn off and be disabled until power on and In range.

**SYNCHRONIZING TRANSMITTER AND RECEIVER**

Each transmitter and receiver pair is synchronized together at the factory. If a new transmitter is needed, synchronizing is required. Use the following procedure:

1. Make sure transmitter and receiver are off.
2. Press and hold transmitter UNLOAD and ENABLE button, then press POWER button until both LEDs start blinking.
3. Release buttons
4. Apply power to receiver
5. Wait for 5 seconds or until the green LED on the transmitter starts blinking.
6. Teach complete

**SLEEP TIME**

All transmitters have the ability to change the sleep time from the default to user's preference. The transmitter is factory set to turn off (sleep) after 15 minutes irrespective of receiver status. To change the time the transmitter waits before going to sleep, use the following procedure:

1. With the transmitter off, press and hold buttons SQUEEZE, RELEASE, ENABLE & POWER (~ 5 seconds).
2. At this point, both lights will blink once per second. Release the buttons.
3. On the transmitter, press one of the following buttons to adjust the sleep time:
  - UNLOAD = 15 minutes
  - LOAD = 30 minutes
  - RELEASE = 60 minutes
  - SQUEEZE = 120 minutes
  - ENABLE = DISABLED
4. Sleep time programming complete

**CLONING TRANSMITTERS**

**WARNING! - ONLY ONE TRANSMITTER CAN BE ON AT A TIME, THEY CANNOT BE USED SIMULTANEOUSLY - use with CAUTION!**

Occasionally, it is desirable to have more than one transmitter work with a single receiver. This is accomplished by a process called cloning. Cloning allows an additional transmitter (B) to have the same ID code as the original transmitter (A). If this feature is desired, use the following procedure:

1. Make sure both transmitters and the receiver are off
2. On Transmitter A, press and hold the POWER button for 10 seconds until LEDs blink, then release. Green and red LEDs will blink together at this point
3. On Transmitter B, press and hold buttons LOAD, UNLOAD, and POWER simultaneously until both LEDs start to blink
4. Wait for few seconds until the green LED starts to blink on both transmitter A and transmitter B.
5. Turn both the transmitters off
6. Synchronize one of the transmitters to the receiver using SYNCHRONIZING TRANSMITTER AND RECEIVER instructions above

If the cloning feature has been invoked and is no longer desired, the ID code of one of the transmitters needs to be changed. This will unclone the transmitters.

If this is desired, use the following procedure:

- Make sure the transmitter is off.
- Press and hold LOAD, RELEASE, ENABLE and POWER buttons for 5 seconds.
- Release all the buttons when GREEN and RED LEDs start toggling.
- Press any button and release, GREEN LED should start to double-blink.
- ID change Sequence complete.

**PROGRAMMING OUTPUTS:**

The user can determine output functionality and program the system to respond as desired out of 4 options available. This is determined by the following procedure:

1. Make sure transmitter and receiver are synchronized.
2. Turn off the receiver and turn on the transmitter.
3. Press and hold buttons UNLOAD, SQUEEZE, and ENABLE simultaneously. Red LED should be blinking at this point. Release buttons.
4. Turn on the receiver.
5. Hold and release one of the below switches for one second to select desired logic for outputs:
6. Hold and release POWER button for one second to save the selection and exit configuration mode.

<b>LOAD (factory default)</b>	
BUTTON PRESS	ENGAGE OUTPUTS
UNLOAD	A, B & C
LOAD	B & D
RELEASE	A, B & E
SQUEEZE	B & F
RETRACT	A, B, G & H
EXTEND	B, G & H
LIGHTS	LIGHTS (LATCHING)
ENABLE	C & D (LATCHING)

<b>SQUEEZE</b>	
BUTTON PRESS	ENGAGE OUTPUTS
UNLOAD	A
LOAD	B
RELEASE	C
SQUEEZE	D
RETRACT	E
EXTEND	F
LIGHTS	-
ENABLE	H (LATCHING)

<b>EXTEND</b>	
BUTTON PRESS	ENGAGE OUTPUTS
UNLOAD	A
LOAD	B
RELEASE	C
SQUEEZE	D
RETRACT	E
EXTEND	F
LIGHTS	G (LATCHING)
ENABLE	H (LATCHING)

<b>FLOAT/ENABLE (works with 3A151GA only)</b>	
BUTTON PRESS	ENGAGE OUTPUTS
UNLOAD	A, B & C
LOAD	B & D
RELEASE	A, B & E
SQUEEZE	B & F
RETRACT	A, B, G & H
EXTEND	B, G & H
LIGHTS	LIGHTS (LATCHING)
ENABLE (Doesn't need for Lights button)	Doesn't engage any outputs, but enables other buttons for 5 seconds to engage respective outputs

**SPECIFICATIONS:**

**Electrical:**

RF Transmit power (EIRP): 10 mW  
 RF Frequency: 902-928 MHz

**Transmitter:**

Power: 3.7 Lithium battery  
 Operation time: 16 to 17 hours continuous

**Receiver:**

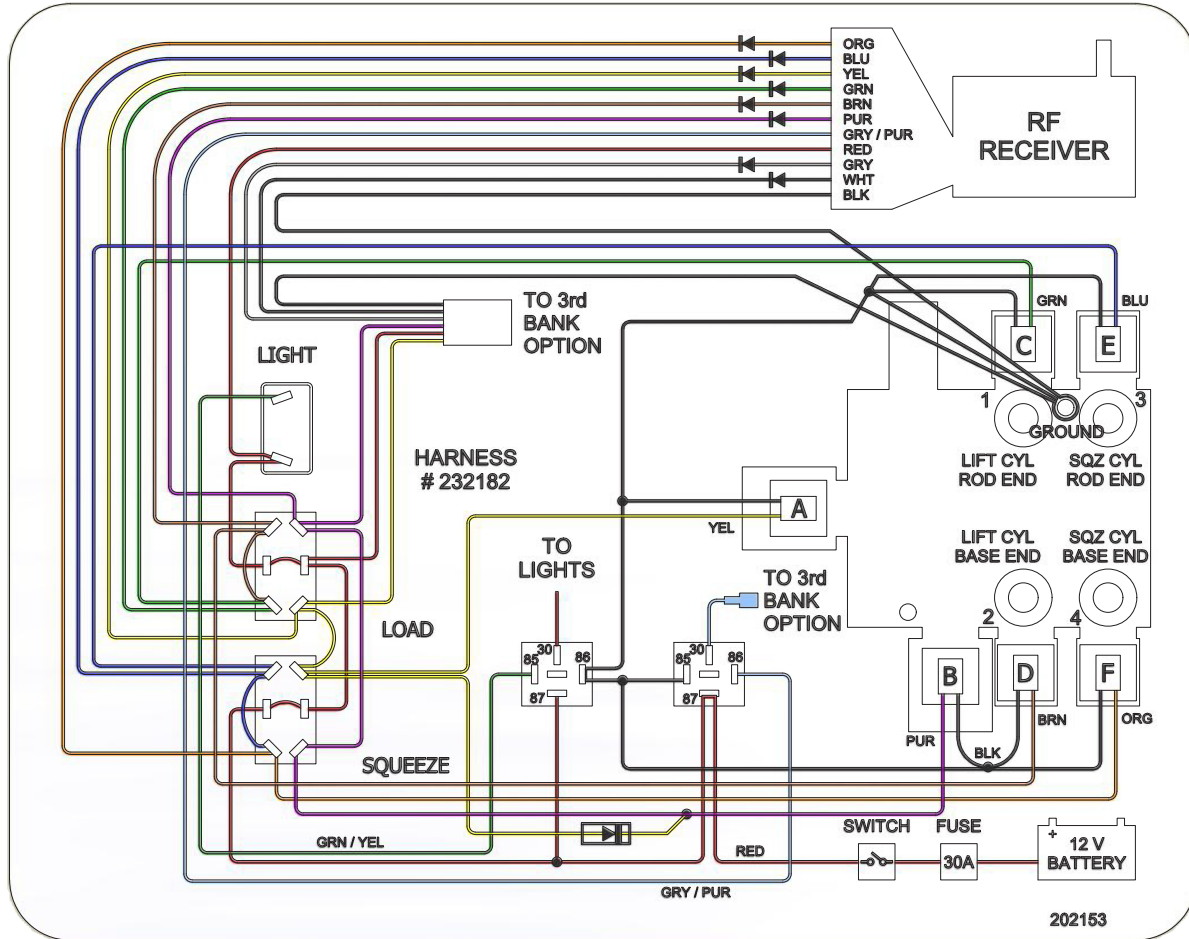
Power: 9 to 30 Volts DC  
 Outputs: 5A max each (20A system max)

**Environmental:**

Transmitter: -18°C to +55°C      Receiver: -40°C to +85°C

# 2 Bank Wiring, Reel Transport, Enable Function

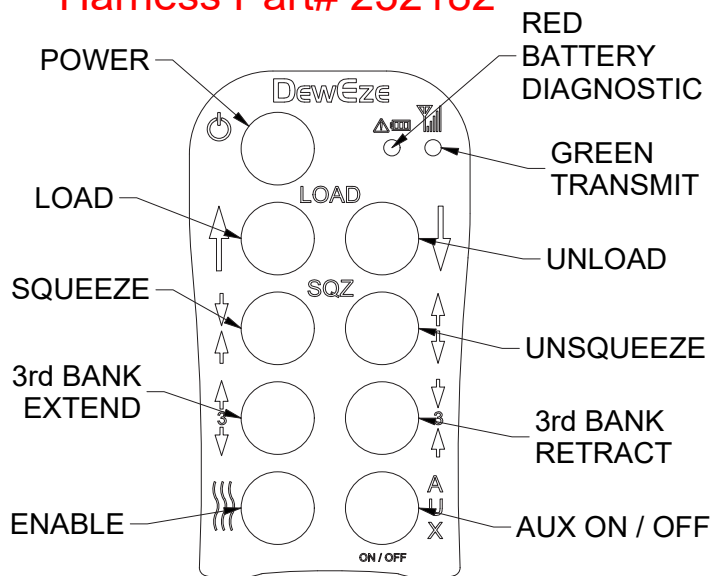
Gen 3 Double Poppet, Deutsch



Decal Part# 202153

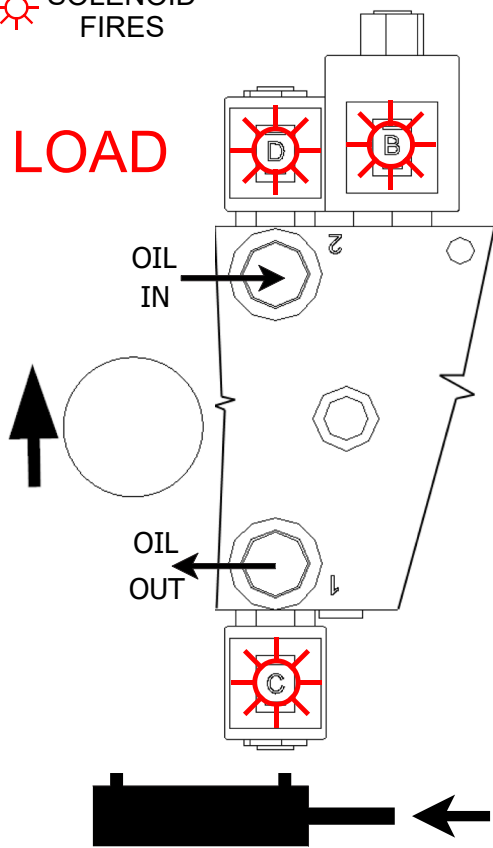
Harness Part# 232182

<b>DOUBLE POPPET VALVE</b>	
FUNCTION	COILS
LOAD	B, C & D
UNLOAD	B, C, D & A
SQUEEZE	B, E & F
UNSQUEEZE	B, E, F & A
202052	

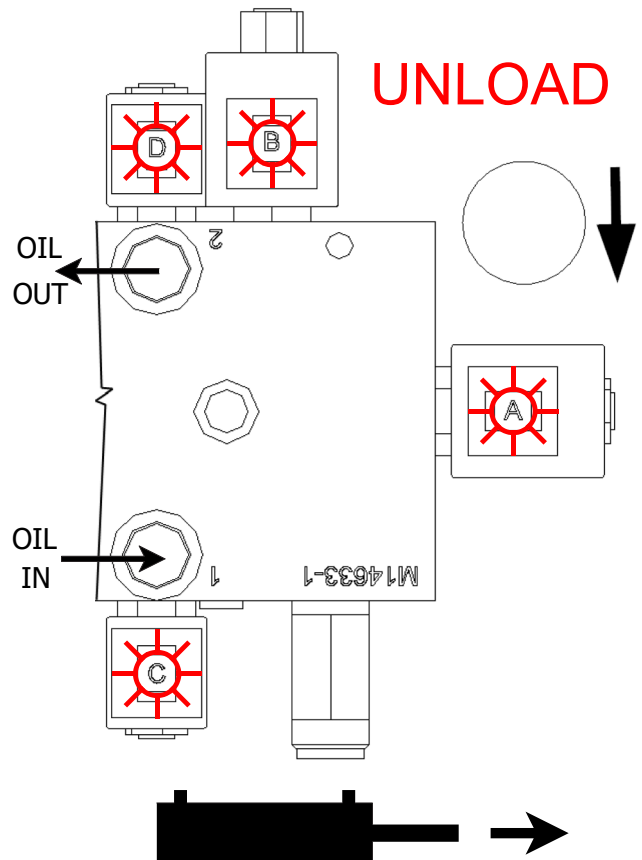


 SOLENOID FIRES

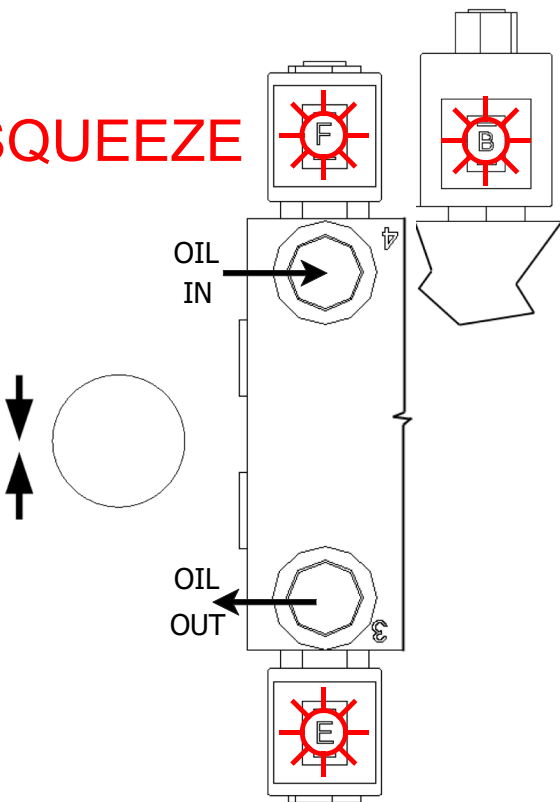
**LOAD**



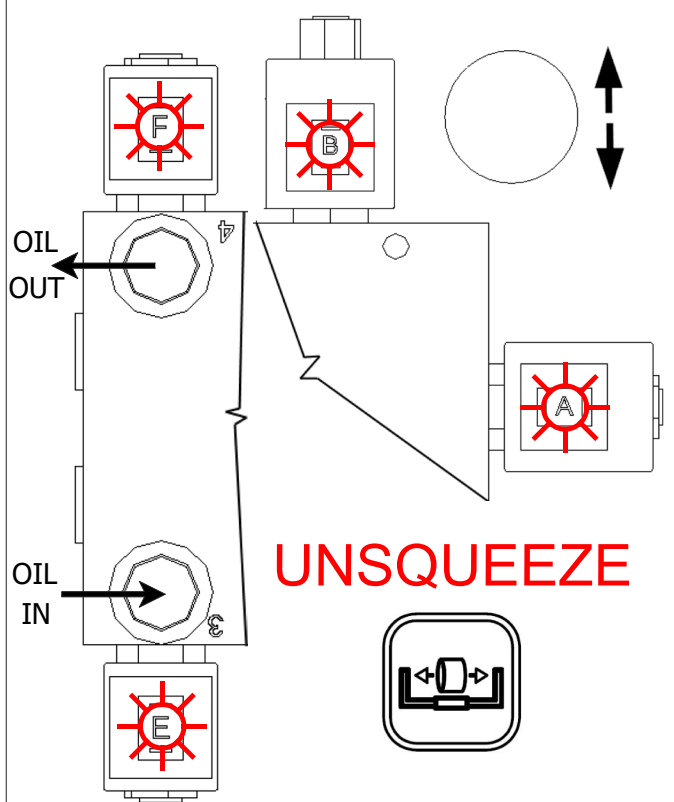
**UNLOAD**



**SQUEEZE**

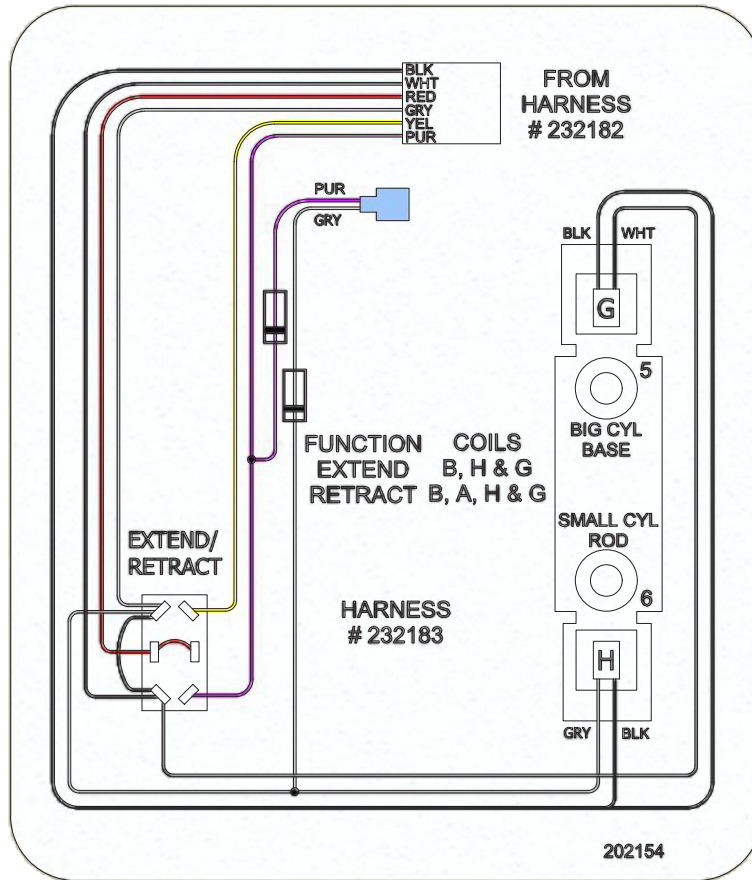


**UNSQUEEZE**



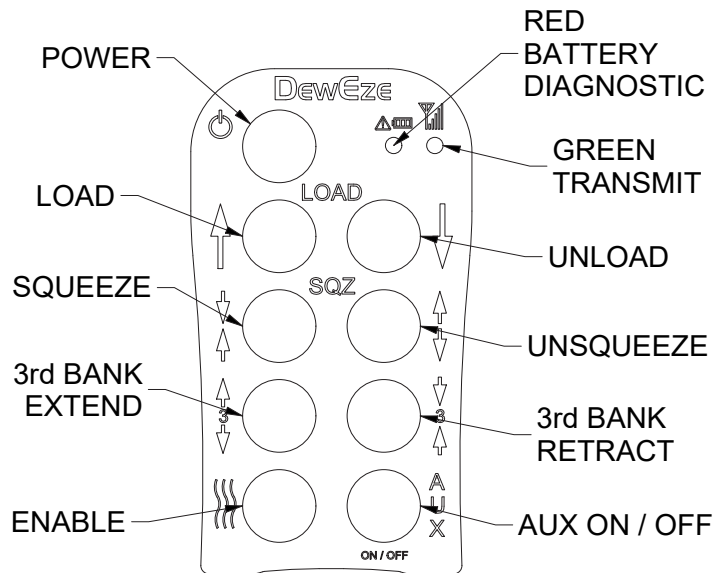
# 3rd Bank Wiring, Reel Transport, Enable Function

Gen 3 Double Poppet, Deutsch

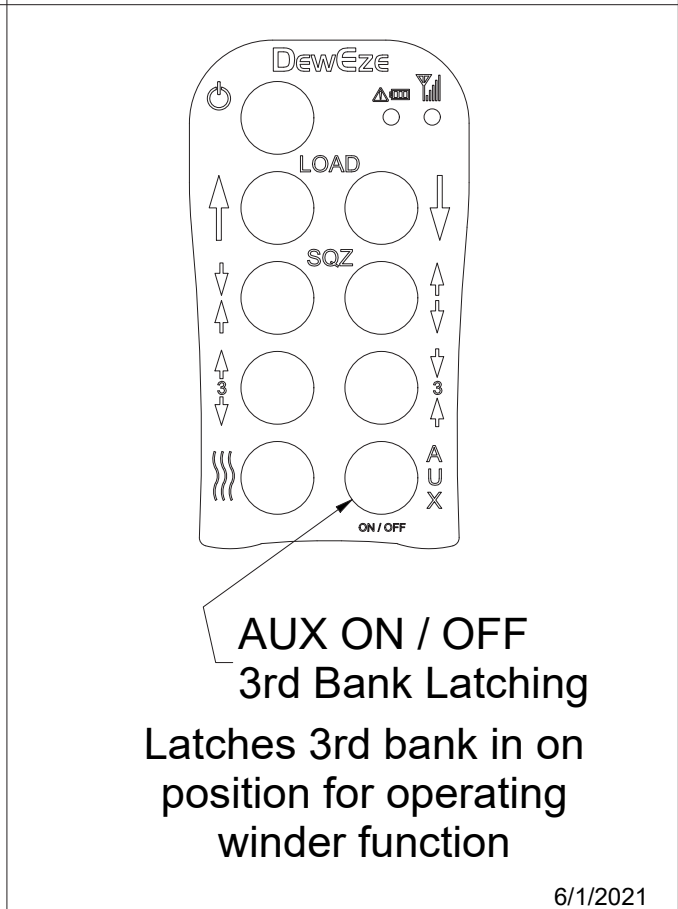
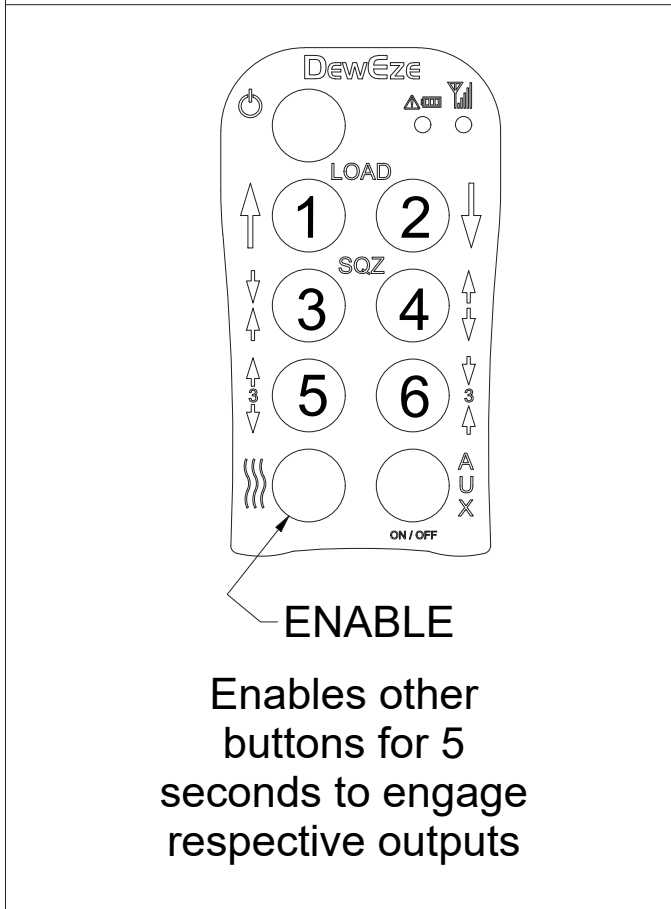
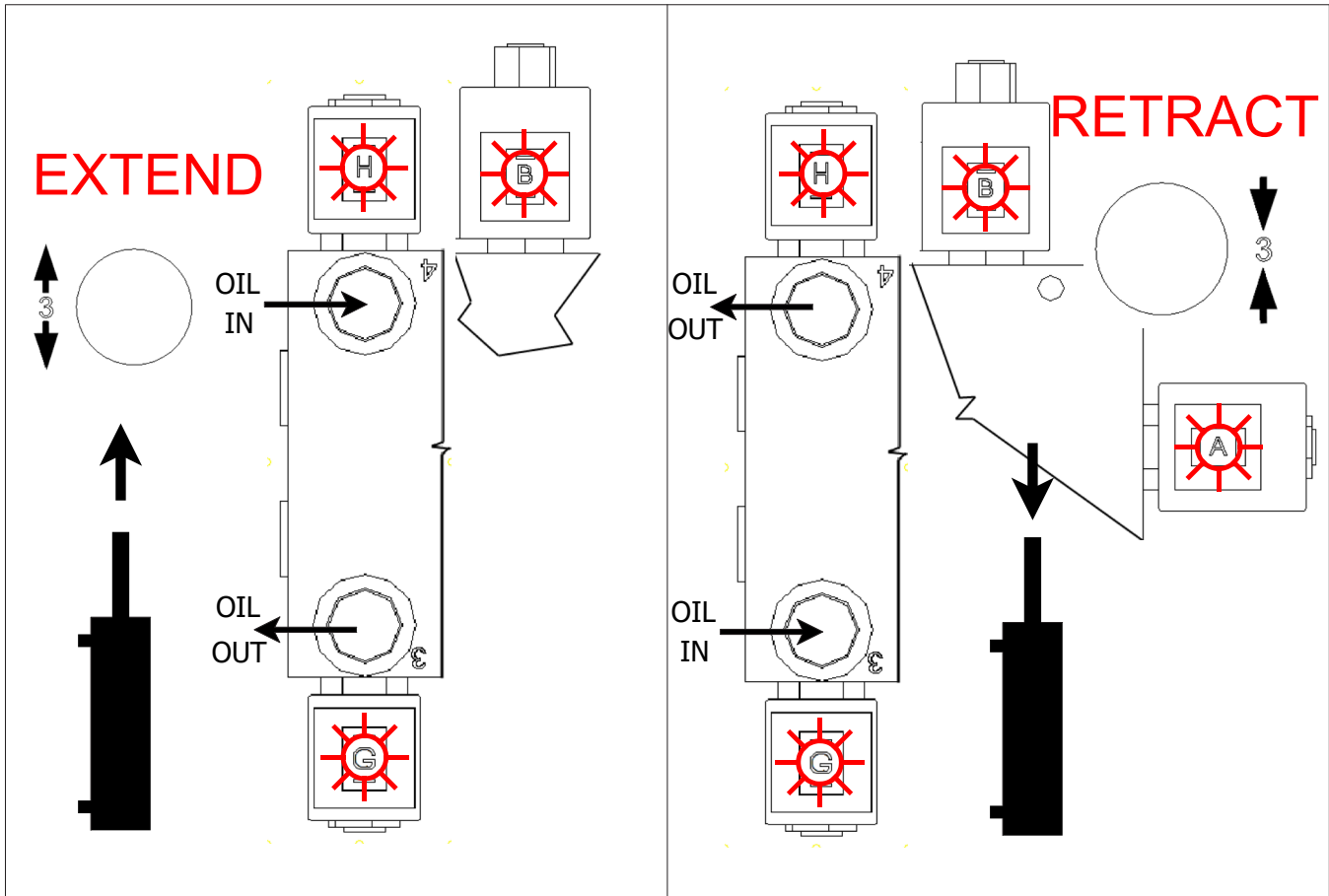


Decal Part# 202154

Harness Part# 232183



6/1/2021

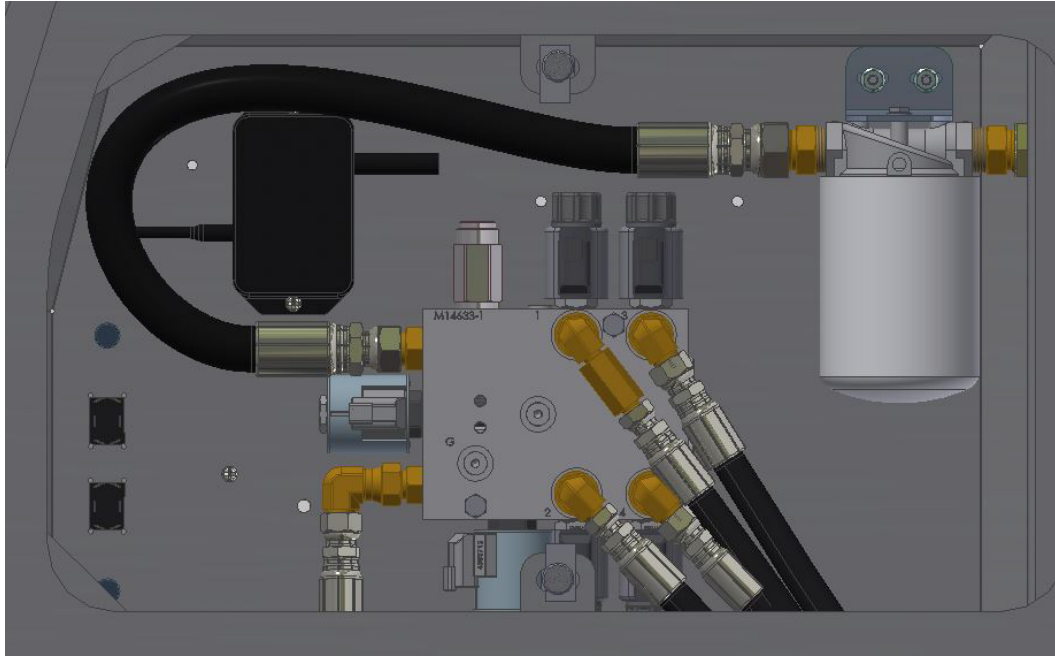


6/1/2021

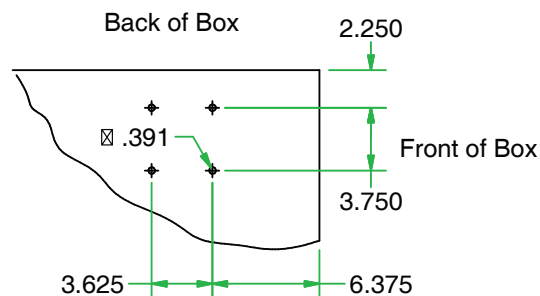
# Appendix III

## E / H KIT INSTALLATION INSTRUCTIONS

\* Read all instructions first.

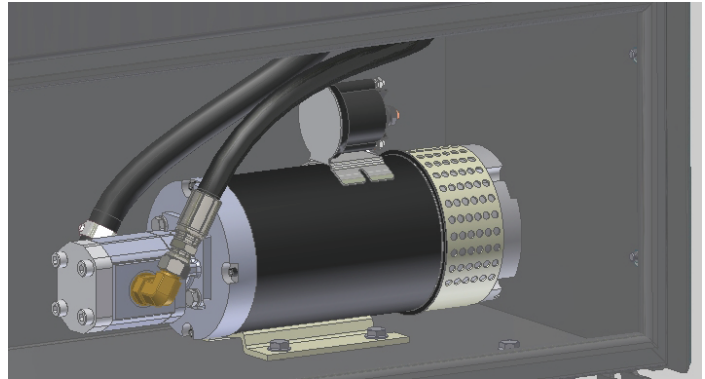
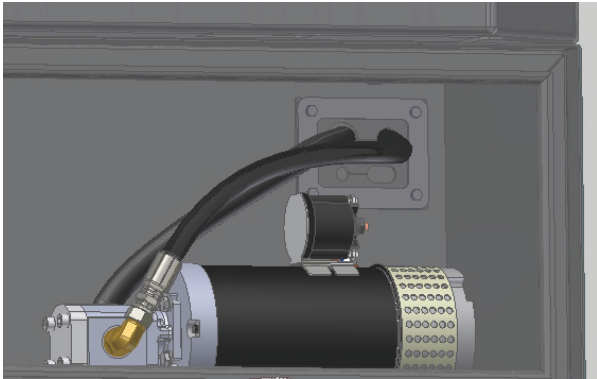


1. Attach adapters to valve and install inside cavity on headache rack.
2. Attach valve harness per diagram on decal.
3. Attach return hose to valve and filter housing. Attach pressure hose from pump.
4. Attach 1/2" hoses from squeeze cylinder to valve ports #3 & #4.
5. Attach 3/8" hoses from lift cylinder to valve ports #1 & #2.
6. Use cover plate to locate cutout in right side toolbox.
7. Use access cover or edge molding to protect hoses.
8. Drill holes for 3/8" bolts as indicated and bolt pump to inside of toolbox.





9. Attach purple switch wire from valve harness.
10. Attach 30-amp fuse holder to positive terminal on battery, run wire through switch on dash and then to the red wire on the harness.



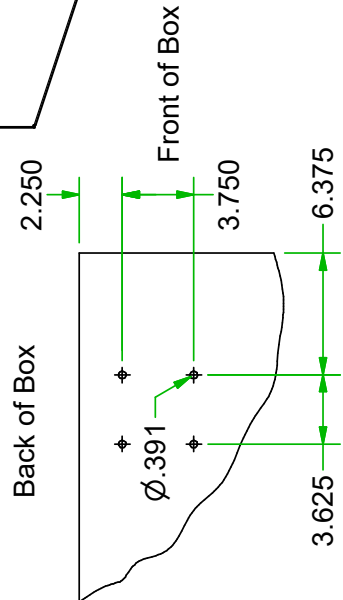
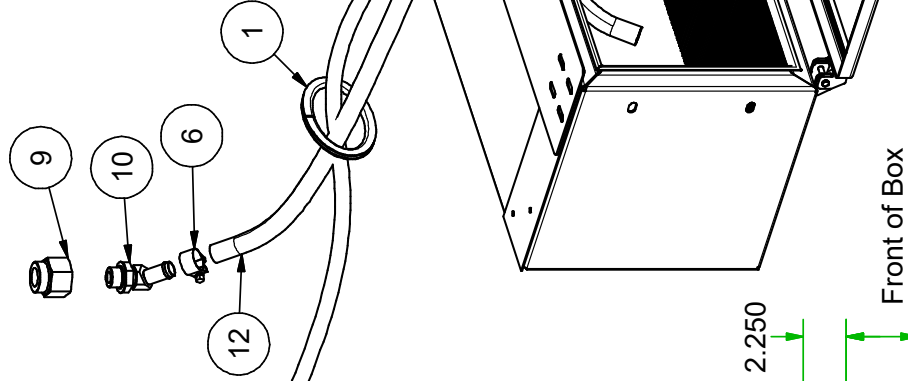
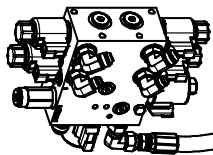
11. Attach suction hose and pressure hose to pump with adapters provided.
12. Attach suction hose to bottom of reservoir.
13. Run battery cables through hole in toolbox and attach to E/H motor as indicated.
14. Run battery cables along frame rail and attach black cable to negative terminal on battery.
15. Attach 200-amp fuse holder to positive battery terminal.
16. Insert 200-amp fuse.
17. Attach red cable from E/H on top of “ice cube” fuse. Install rubber cap.

**If installing the 735021 Switch Unit — Read the E/H Hybrid specific instructions first.**

# Heavy Duty E/H

Parts List

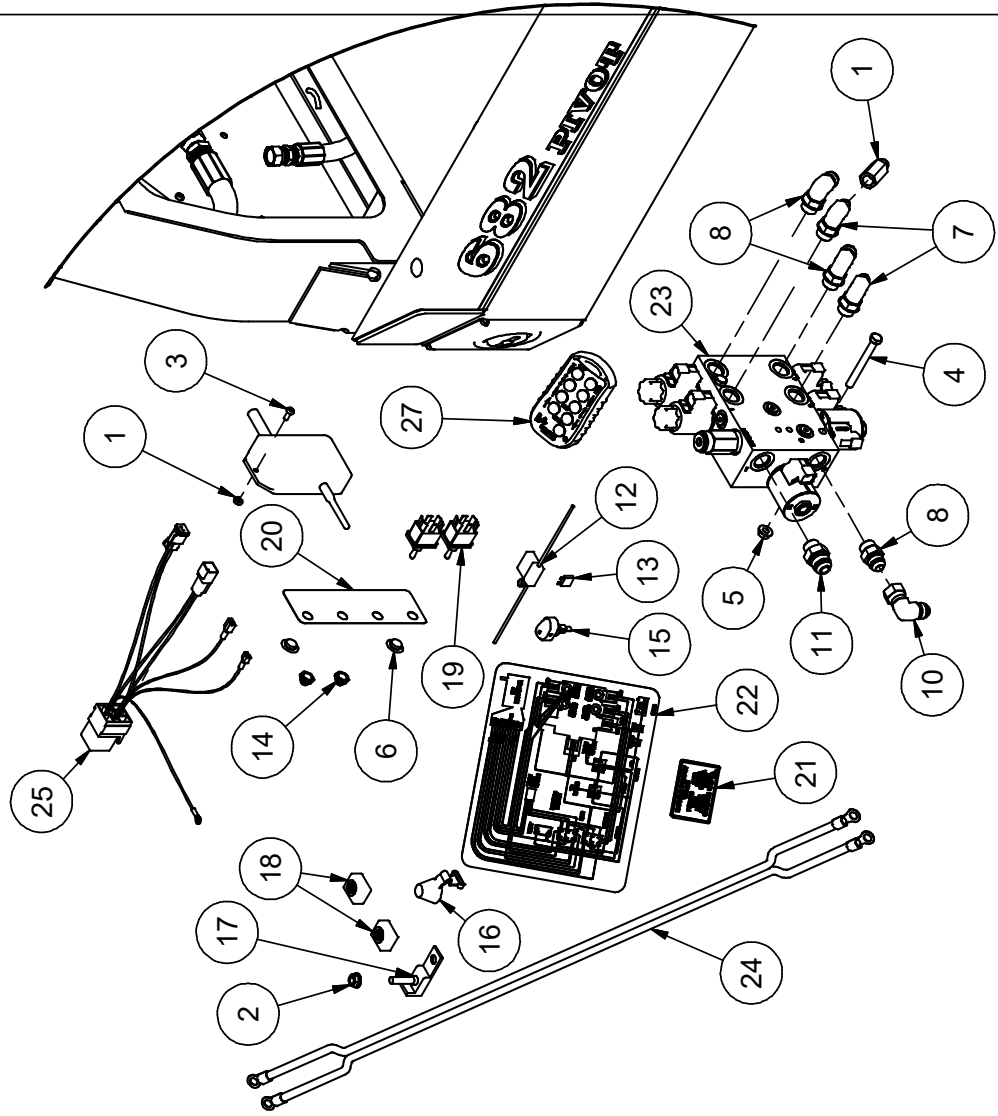
ITEM	QTY	PART #	DESCRIPTION
1	21 in	100365	EDGE TRIM
2	4	110440	BOLT, 3/8-16 X 1, W/Z FLANGE
3	4	110672	WASHER, 3/8" LOCK
4	4	110676	WASHER, 3/8" FLAT STANDARD
5	4	110826	NUT, 3/8-16 GR 5
6	2	112136	Clamp, 3/4" T-Bolt, Supra W/2-120
7	1	120184	ADAPTER, 12BH-10MB90
8	1	120288	ADAPTER, 8MJ-8MB90
9	1	120544	ADAPTER, 20MB-12FOR
10	1	120545	ADAPTER, 12BH-12MB 45°
11	1	211849	ACCESS COVER FRAME
12	1	220603	HOSE, SUCTION, .75 X 54
13	1	220738	Hose, Pressure HD E/H
14	1	230159	E/h Motor Pump/unit, Heavy Duty 12V
	1	232102	Strap, Motor-Solenoid Connecting
	1	232103	Solenoid, 4 Post, 12VDC Contactor
15	1	260400	Shield, HD, E/H
16	1	260401	Access Cover, HD E/H
17	4	710586	SCREW, 1/4 X 1 TEK SELF-TAP



6/3/2021

RT Heavy Duty E/H, W/Remote Part # 205384		
ITEM	QTY	PART # DESCRIPTION
1	3	110119 NUT, 10-24 LOCK
2	1	110141 NUT, M8 X 1.25 WIZFLANGE
3	3	110264 BOLT, 10-24 X .5 STAINLESS, PHILLIPS
4	2	110538 BOLT, 5/16-18 X 3.0
5	2	110606 NUT, 5/16-18 WIZ FLANGE
6	2	120753 PLUG, 1/2" BUTTON PLASTIC
7	2	120134 ADAPTER, 6MJ-8MB90
8	1	120277 ADAPTER, 8MJ-8MB
8	1	120288 ADAPTER, 8MJ-8MB90
10	1	120368 ADAPTER, 8MJ-8FJX90
11	1	120493 ADAPTER, 10MJ-8MB
12	1	132001 FUSE HOLDER, ATC, 14 GA., MINI
13	1	132002 FUSE, MINI 30 AMP
14	3	132035 SWITCH BOOT
15	1	132044 Switch, Spst, Rocker Led
16	1	132092 FUSE COVER, BUSS CFCOVER-1R
17	1	132093 FUSE HOLDER, BUSS CFBAR1-M8XSP
18	2	132094 FUSE 200 AMP, BUSS MRBF-200
19	2	132127 Switch, Toggle, DPDT, (On)-OFF-(ON)
20	1	202003 DECAL, SWITCH IDENTIFICATION
21	1	202052 Decal, Double Poppet Valve
22	1	202153 Decal, Wiring Diagram, RT Valve
23	1	223044 Flatbed Valve, Small, Monoblock Ver II
24	1	230155 BATTERY CABLE, 2GA TWIN LEAD, 186"
25	1	232115 Harness, Flatbed Valve, E/H Control
26	1	232182 Harness, Reel Transport, 2 Bank
27	1	233012 Transmitter & Receiver, Macro, Kar-Tech

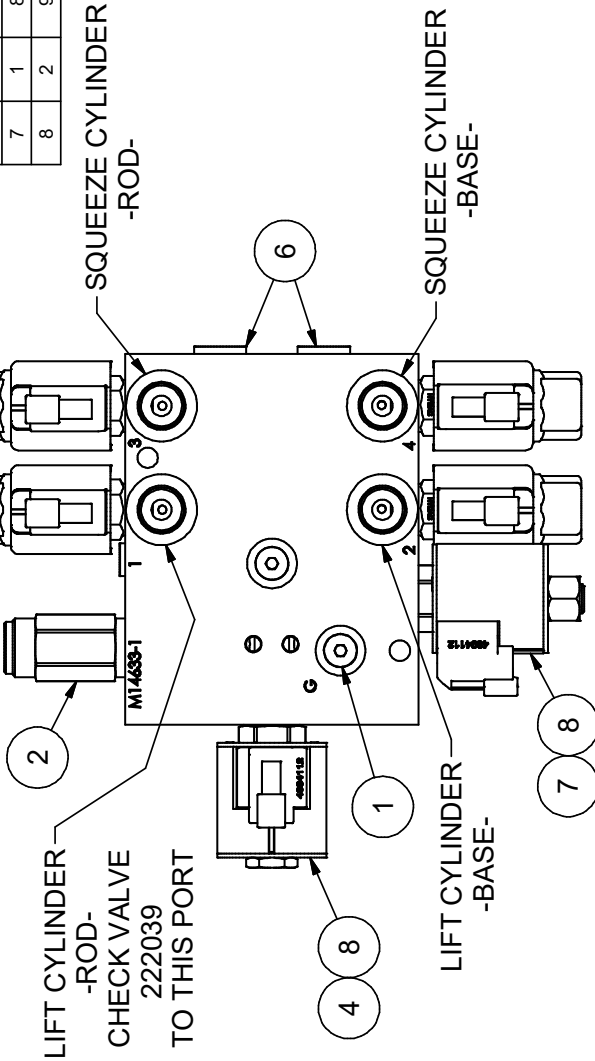
**Heavy Duty E/H Kit  
W/ Remote  
W/ Enable Function**



**Flatbed Valve  
-08 Hydac Deutsch  
Service Parts**

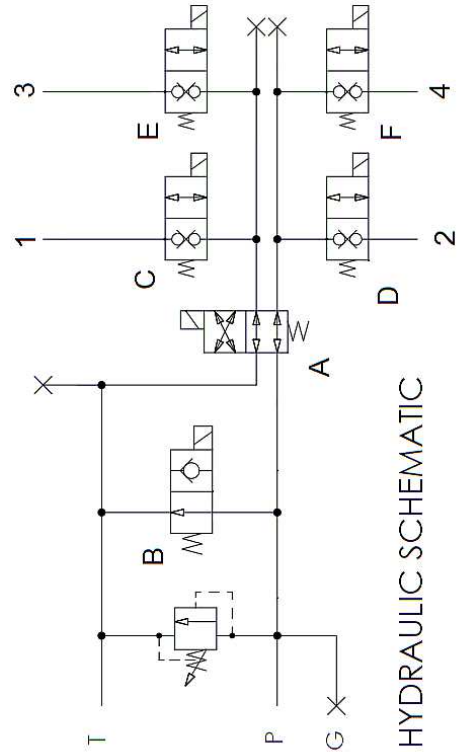
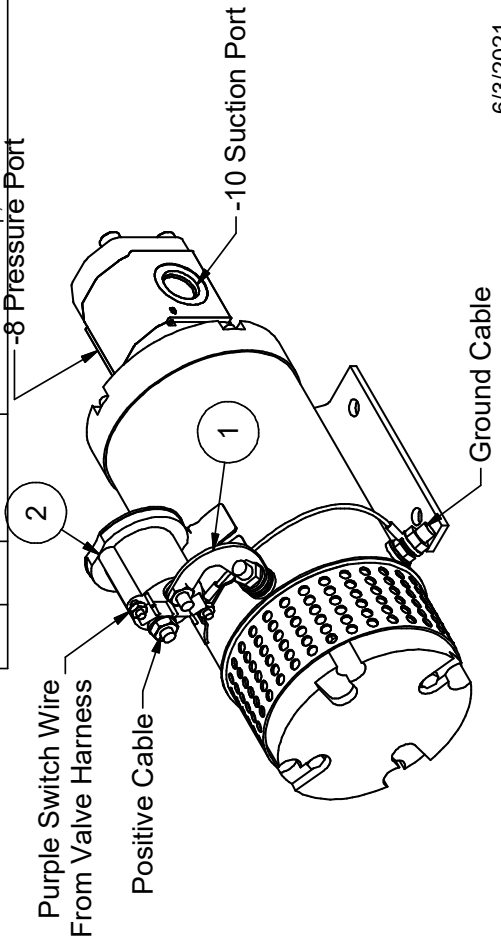
**Flatbed Valve, Small, Hydac Deutsch P/N 223044**

ITEM	QTY	PART #	DESCRIPTION
1	3	120062	O-Ring Plug, #4 7/16-20
2	1	222004	Valve, Pressure Relief
3	4	222010	Cartridge, #8 HYDAC Double Poppet
4	1	222045	#10 SOLENOID, 2 POSITION 4 WAY
5	4	222059	Coil, #8 Hydac, DT04-2P Suppressed
6	2	720164	O-Ring Plug, #8 3/4-16
7	1	820232	Spool, #10 Valve
8	2	922119	Coil, #10 Hydratorce, DT04-2P Suppressed

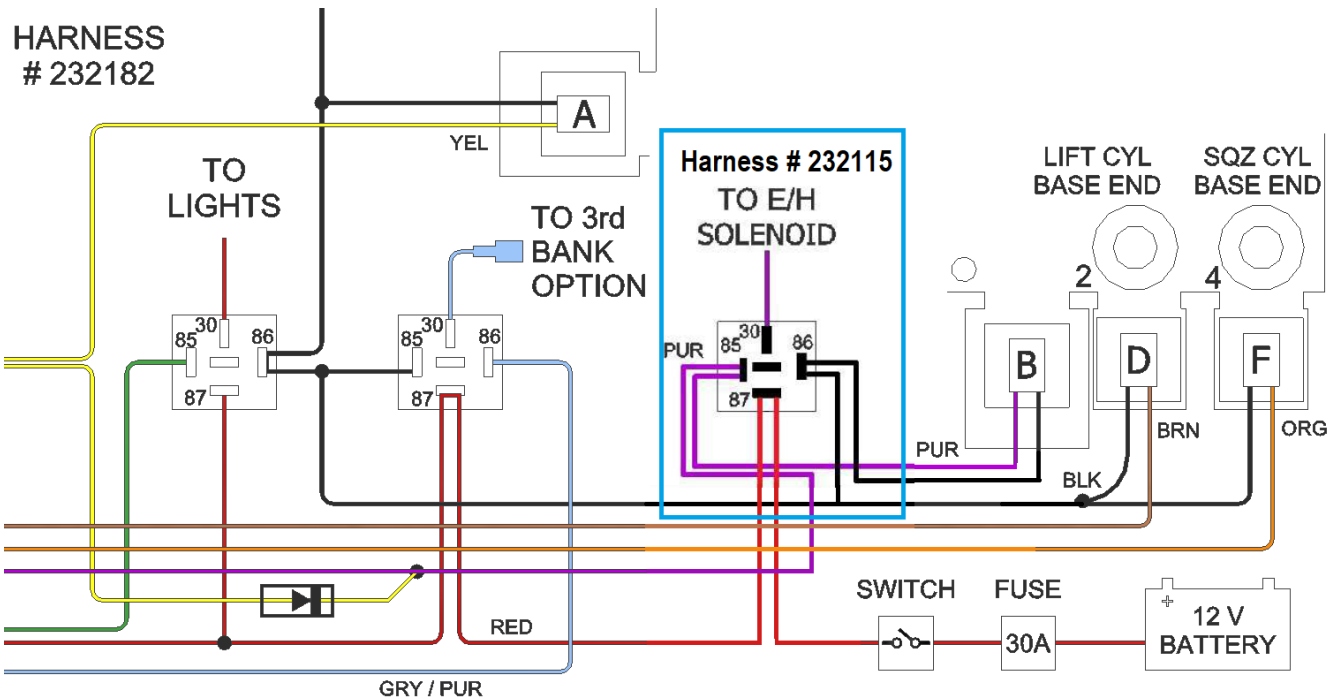
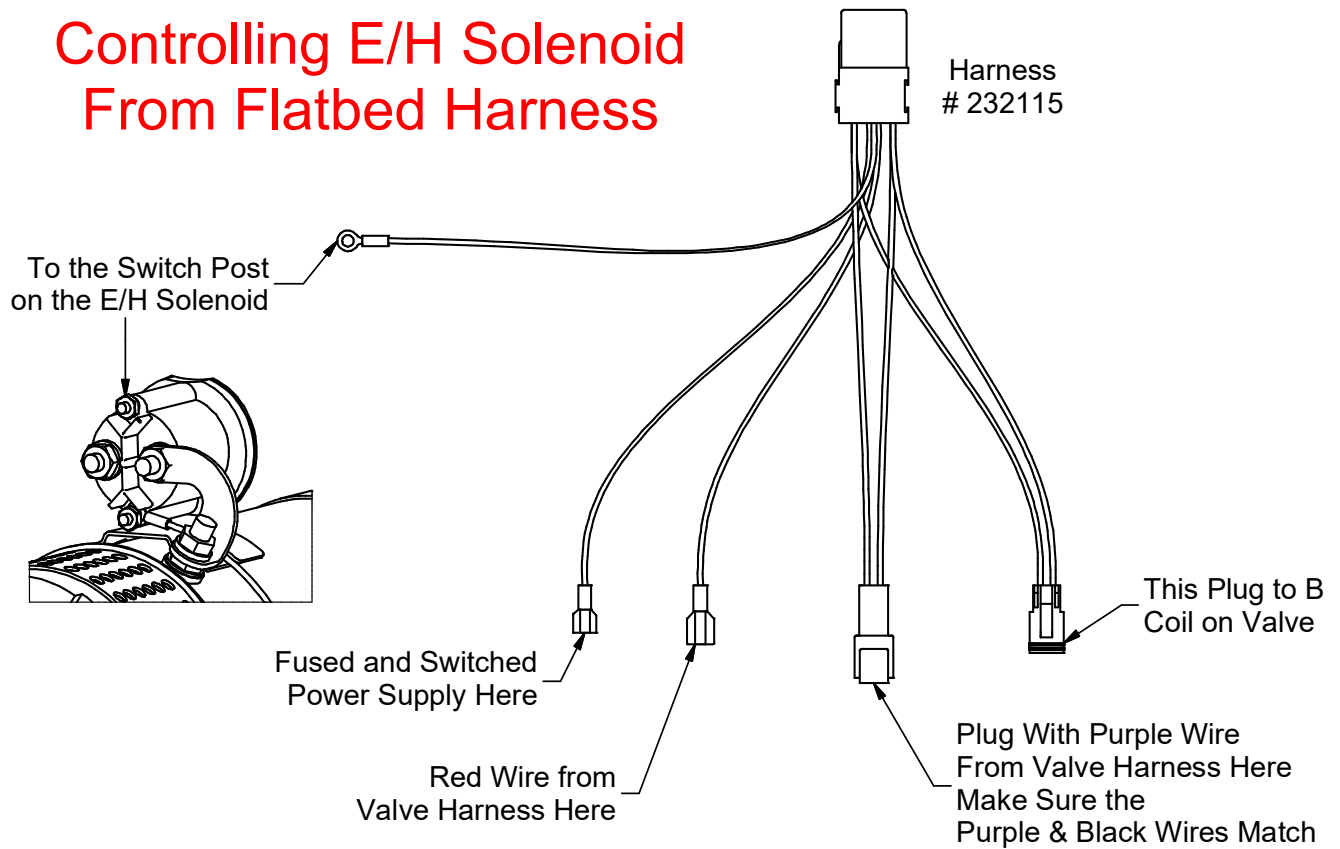


**Heavy Duty E/H  
Motor & Pump**

ITEM	QTY	PART #	DESCRIPTION
1	1	232102	Strap, Motor-Solenoid Connecting
2	1	232103	Solenoid, 4 Post, 12VDC Contactor
3	1	222103	Pump, HD EH



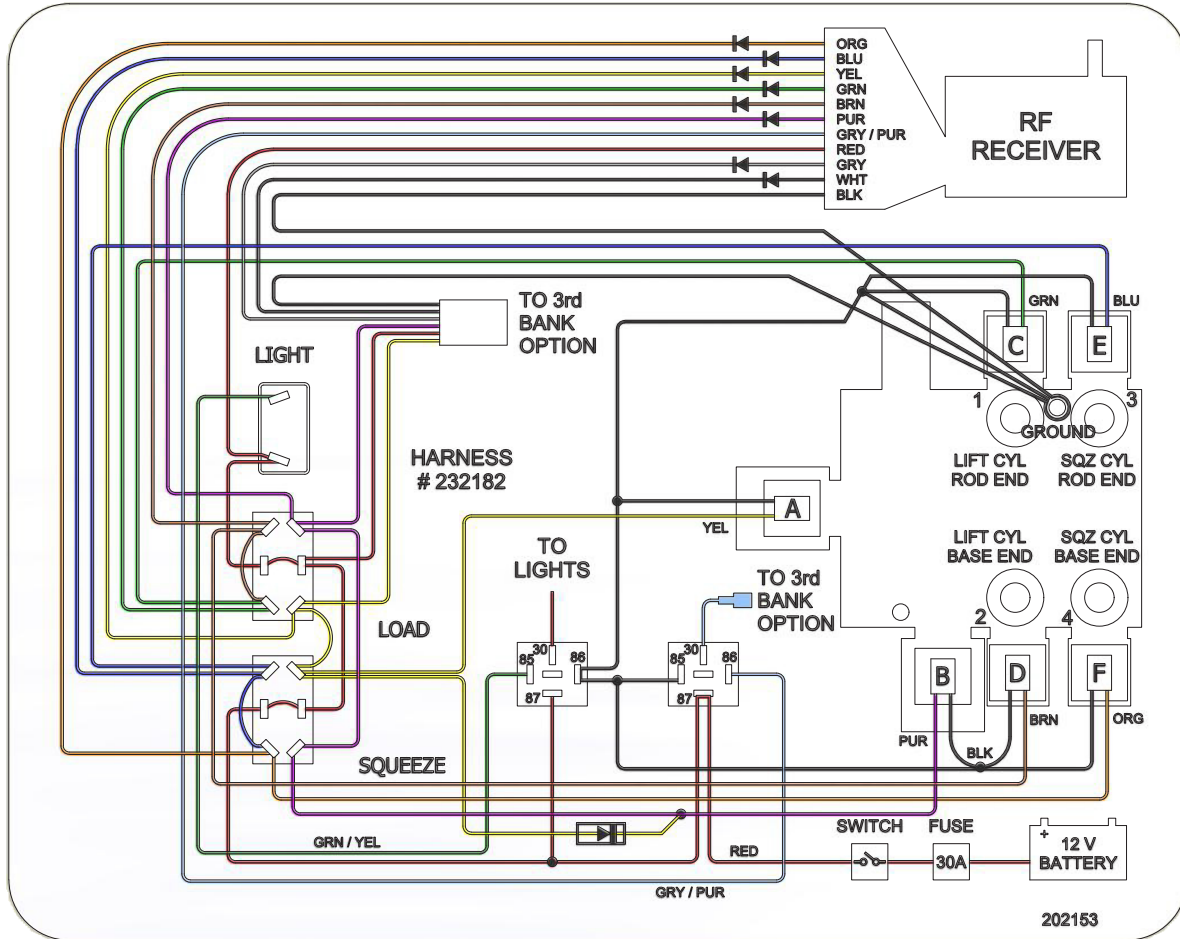
# Controlling E/H Solenoid From Flatbed Harness



6/3/2021

# 2 Bank Wiring, Reel Transport, Enable Function

Gen 3 Double Poppet, Deutsch

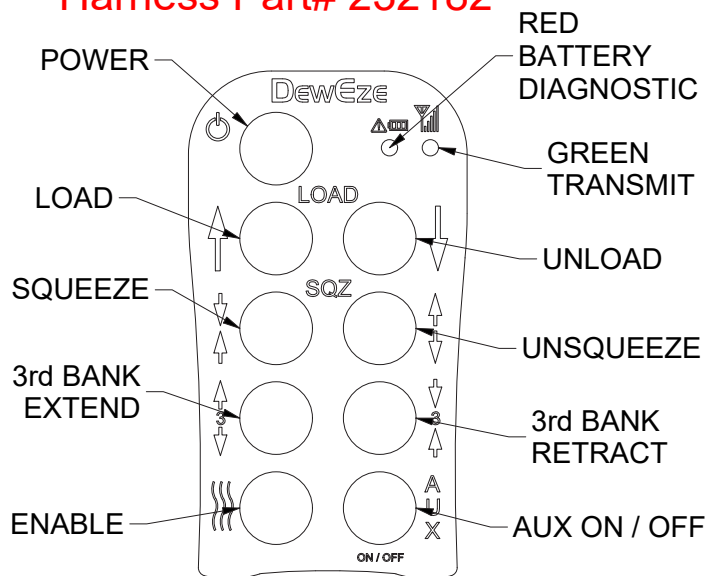


Decal Part# 202153

Harness Part# 232182

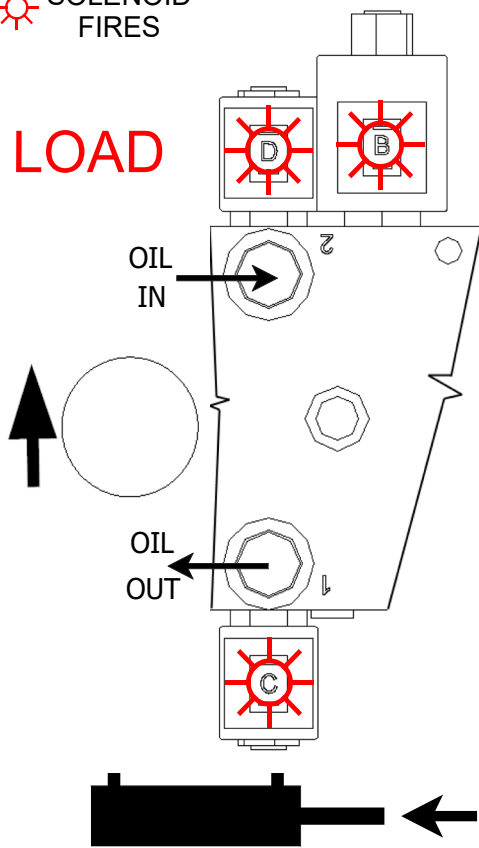
DOUBLE POPPET VALVE	
FUNCTION	COILS
LOAD	B, C & D
UNLOAD	B, C, D & A
SQUEEZE	B, E & F
UNSQUEEZE	B, E, F & A

202052

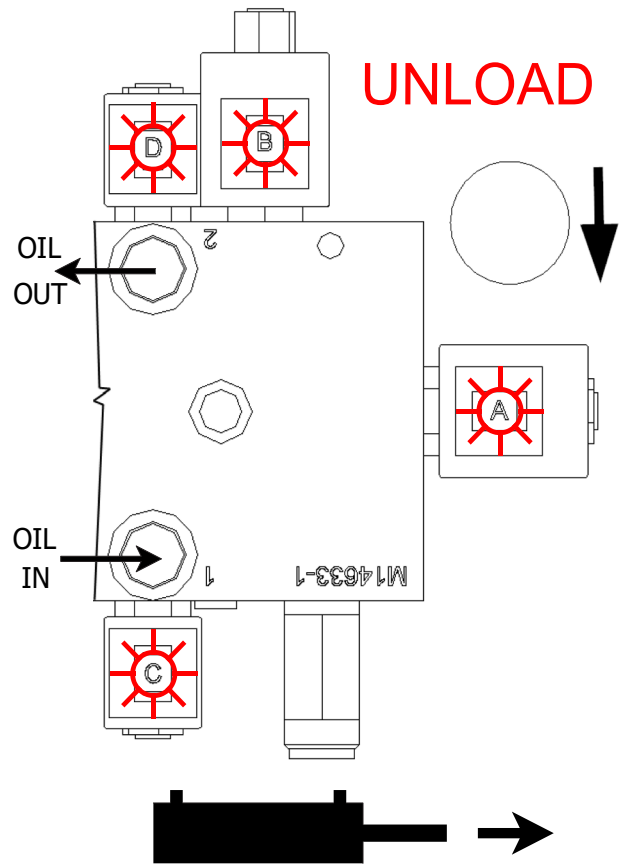


 SOLENOID FIRES

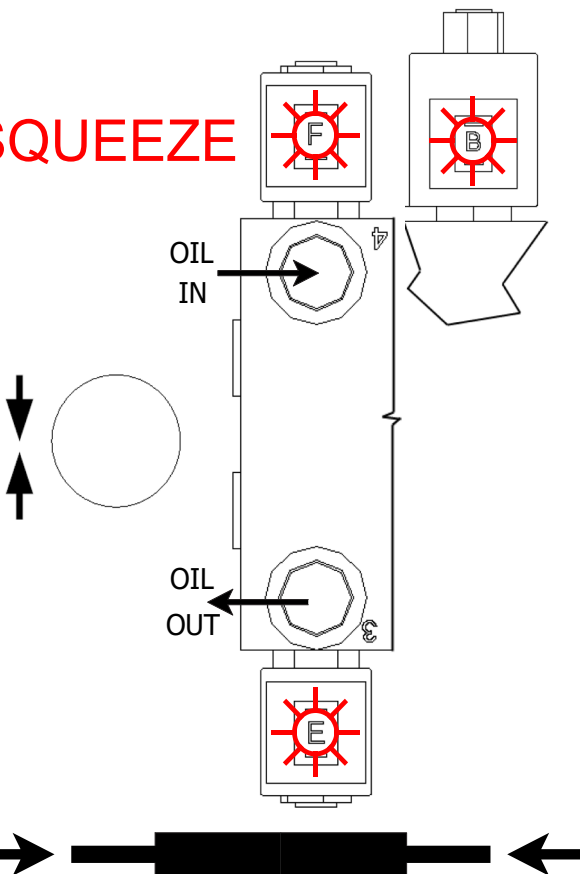
**LOAD**



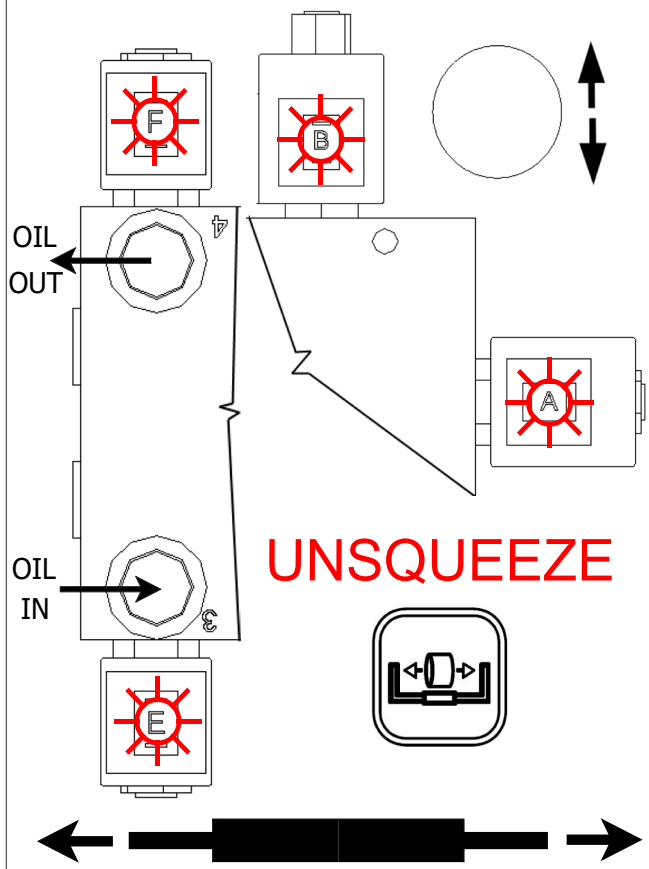
**UNLOAD**



**SQUEEZE**



**UNSQUEEZE**



## NOTES

Harper Industries, Inc.  
151 E. Highway 160  
Harper, KS 67058

Telephone: 620-896-7381  
Toll-Free: 800-835-1042  
Fax: 620-896-7129

Website: [www.harperindustries.com](http://www.harperindustries.com)

E-mail: [info@harperindustries.com](mailto:info@harperindustries.com)

---

**DewEZE**

**RT FLATBED**