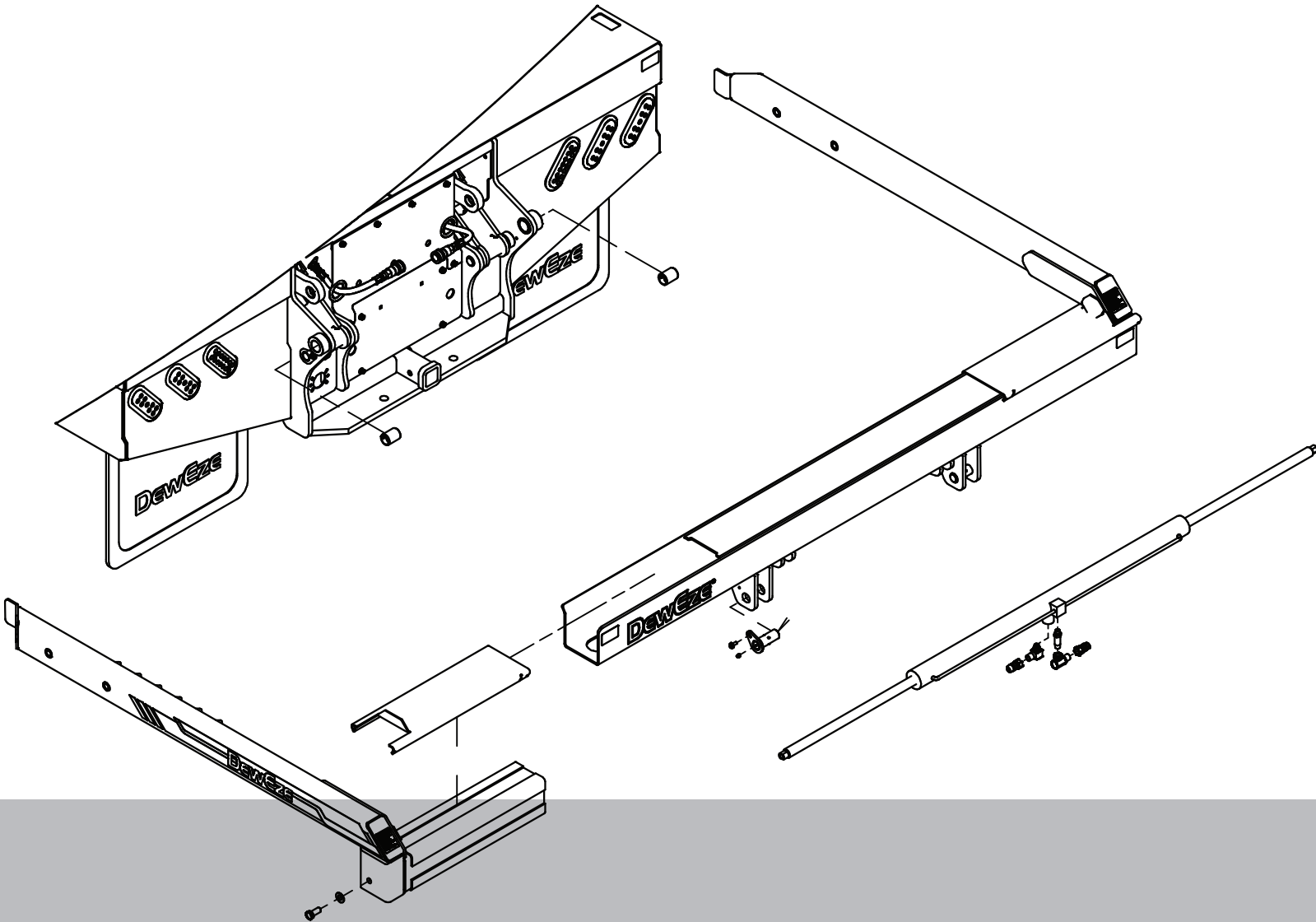


RT & XRT FLATBED

Serial # 21A01+

Enable Function



DewEze®

Thank you for purchasing a DewEze Flatbed.

TO THE OWNER OR OPERATOR:

As with all Harper products, the 600 and 700 Series Flatbeds have been thoroughly tested and built to provide a sturdy, dependable product. The Flatbed is equipped with live hydraulics, which allows it to be used for a wide range of lifting and hauling tasks. This manual is written as an aid to operating and maintaining the DewEze Flatbed. Read and understand the manual thoroughly before operation to avoid damage to the unit or injury to the operator or bystanders.

A Flatbed can present hazards to an operator who follows unsafe procedures in either the operation or maintenance of the unit. Therefore, **SAFETY WARNINGS** are present at certain locations in the text. Harper Industries is not responsible for accidents or injuries that result from the misuse or lack of maintenance of the Flatbed.

SYMBOL:



SAFETY WARNING!



MEANING: Failure to understand and obey this warning may result in injury to you or others. Whenever this symbol is used, please pay very close attention to the information presented, and make sure you fully understand. If you do not, contact your dealer or Harper Industries for clarification.



SAFETY WARNING!



ALL SHIELDS AND GUARDS MUST BE IN PLACE FOR PROPER AND SAFE OPERATION OF THIS EQUIPMENT. WHERE THEY ARE SHOWN REMOVED IN THIS MANUAL, IT IS FOR PURPOSES OF ILLUSTRATION AND INSTRUCTION ONLY. DO NOT OPERATE THIS EQUIPMENT UNLESS ALL SHIELDS AND GUARDS ARE IN PLACE.

///HARPER INDUSTRIES, INC.

151 E. HWY. 160 Harper, KS 67058
(620) 896-7381 • Fax (620) 896-7129

Toll Free 800-835-1042

Email info@deweze.com

Website www.deweze.com

© 2026 Harper Industries, Inc.

The Harper and DewEze names and the ATM logo are registered trademarks of Harper Industries, Inc. All other brand and product names are trademarks or registered trademarks of their respective companies.

Statement of Warranty 1/11/2025

Harper Industries, Inc. (HII) warrants to each purchaser of new DewEze Truck Bodies from an authorized dealer or representative, that such equipment is free of manufacturer's defects in workmanship and materials which appear while in normal service for a period of TWO YEARS commencing with delivery to the original user. The Flatbed hydraulic and electrical systems are warranted for a period of ONE YEAR.

The obligation of HII under this warranty is expressly limited, at our option, to replacement or repair at a service facility designated by Harper Industries or at the manufacturing plant in Harper, KS. A part will be replaced after inspection discloses it to have been defective. This warranty does not apply to defects caused by damage or unreasonable use (including failure to provide reasonable and necessary maintenance, or by performing functions without genuine DewEze Flatbed accessories) while in the possession of the consumer.

Warranty is limited to parts, labor and ground freight delivery of replacement parts. HII shall not be liable for the consequential damages of any kind, including but not limited to consequential labor costs or transportation charges in connection with replacement or repair of defective parts.

This warranty does not apply to parts subjected to misuse, abuse, alteration, improper or inadequate maintenance, or normal wear (including belts, battery, chains, filters).

ANY IMPLIED OR STATUTORY WARRANTIES, INCLUDING ANY WARRANTY OR MERCHANTABILITY OR FITNESS FOR A PARTICULAR PURPOSE, ARE EXPRESSLY LIMITED TO THE DURATION OF THIS WRITTEN WARRANTY. HII makes no other express warranty, nor is anyone authorized to make any on behalf of HII.

For further information please contact your nearest DewEze dealer.

RECORDS

Date of Purchase _____ / _____ / _____

Dealer's Name _____

Dealer's Phone _____

Serial Number Bed _____

Serial Number Pump _____

Table of Contents

OPERATOR SECTION

To the Owner or Operator.....	1
Warranty Statement.....	2
Table of Contents.....	3
Specifications.....	4
Feature Identification.....	5
Safety Guidelines	
General Equipment Safety.....	6
Flatbed Operation Safety.....	6
Hydraulic Safety.....	7
Safety Symbols.....	7
Operating Instructions	
Getting Started.....	7
Arbor & Riser Attachment.....	8
Beginning Operation.....	8
Loading.....	8
Unloading.....	8
Pay-out.....	8
Spool Diameters & Lifting Capacity.....	9
Reel Power Attachment.....	10
Storing the arms.....	11
Turning System Off.....	11
Transport.....	12
Maintenance	
Check Daily or Before Use.....	13
Lubrication.....	13
Hydraulic Oil.....	13
Hydraulic System.....	13
GatorHyde Protective Coating.....	14
Remote Control.....	14
Power Unit.....	14
Troubleshooting.....	15

PARTS SECTION

Standard Parts

RT Common Parts.....	18
XRT60 & 84 Common Parts.....	19
RT Dummy Arms.....	20
XRT 60 & 84 Dummy Arms.....	21
RT Parallel Squeeze Crosstube & Arms.....	22
XRT Crosstube & Arms.....	23

Hydraulics

RT Hydraulics Overview.....	24
RT Hydraulic Schematic.....	25
RT Lift Hydraulics and Hose Chart.....	26
RT Reservoir and Filter.....	27
XRT Hydraulics Overview.....	28
XRT Hydraulic Schematic.....	29
XRT Lift & Squeeze Hydraulic Assembly.....	30
XRT Lift Cylinder Valve & Squeeze Cylinder..	31
XRT Reservoir Assembly.....	32
Valve and Filter - Gen 3 Double Poppet.....	33
Valve Service Parts.....	34

Controls and Lights

RF Control and Manual Switches.....	35
Clutch Control Switch.....	36
Lights and Harness.....	37
Harness Adapters: OEM to DewEze.....	38

Decals

RT Decals-Safety/Operation.....	39
RT 600/700 Series Decals.....	40
XRT Decals.....	41

Accessories

Swingout Lights.....	42
Cargo Lights.....	43
Toolboxes and Skirts.....	44-50
Rear View Camera Mounting Kit.....	51
Bed Mounting Kits.....	52
XRT Winder.....	53-55
RT Winder.....	56-62
RT & XRT Winder Assemblies.....	63-69
RT Spinners and Risers.....	70-72
XRT Spinners and Risers.....	73-74
Cradle Risers, Arbors, and Locks.....	75
XRT Cradle Riser, Arbor, and Locks.....	76
XRT Drop Cradle.....	77
Dump Box.....	78

Appendices

I		
	GatorHyde Repair.....	79
II		
	Remote Control.....	80-81
	2-Bank - Gen 3 w/ Remote.....	82-83
	3-Bank - Gen 3 w/ Remote.....	84-85
III		
	HD E/H - Install Instructions.....	86-87
	HD E/H Power Kit.....	88-93

Specifications

RT Model Specifications

MODEL	676	684	688	776	784	788
WIDTH	7'1"	7'9"	7'9"	8'	8'	8'
LENGTH	8'11"	9'8"	11'10"	8'11"	9'8"	11'10"
WEIGHT	2175#	2420#	2670#	2240#	2420#	2670#

XRT Model Specifications

MODEL	XRT60	XRT84
WIDTH	8'5"	8'5"
LENGTH	9'11"	12'1"
WEIGHT	2900#	3150#

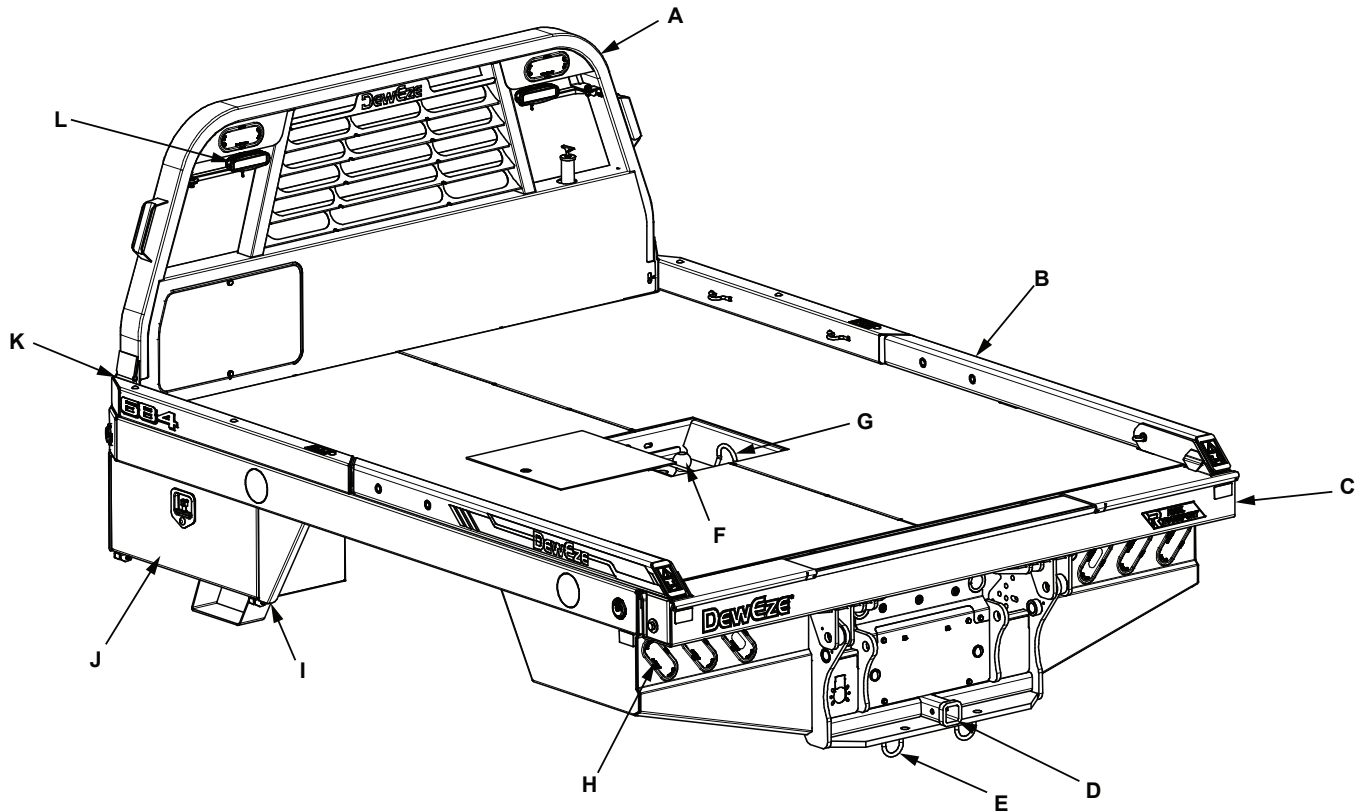
Hydraulic System Specification

HYDRAULIC SYSTEM	Powered by engine driven pump or self-contained batter-powered electric/hydraulic unit.
SYSTEM PRESSURE	2750 psi
OIL RESERVOIR CAPACITY	10 gallons
OIL FILTER	DewEze 720043, WIX 51551 (10 micron)
CYLINDER, LIFT (2)	RT - 3.50" x 16.62" XRT - 4.00" x 15.31"
CYLINDER, SQUEEZE	2.00" x 39.25"

Protective Coating Specifications

PAINT	Heat-treated, polyurethane based paint
GATORHYDE	Long-lasting, textured polyurea surface

Feature Identification



A. Headache Rack – protects the rear pickup window. The hydraulic oil tank and valve are located in the headache rack.

B. Hugger Arms – squeeze together to grip the reel and lift it onto the flatbed. When the arms are stored they serve as side rails for the flatbed.

C. Crosstube – houses the squeeze cylinder and guides the hugger arms.

D. Hitch Plate – allows for a 2” square receiver hitch and has holes for hitch pins.

E. Safety Chain Loops – always use safety chains when towing.

F. Gooseneck Hitch – located under a cover plate in the middle of the bed.

G. Safety Chain Loops – always use safety chains when towing.

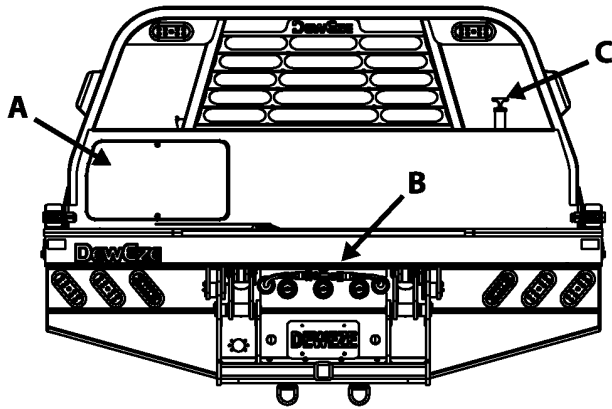
H. Lights – LED lighting for stop-tail-turn has long life and low current draw.

I & J. Skirts & Toolboxes (optional) – mount under front of bed on both sides. If equipped, the Electric/Hydraulic Power unit mounts inside the right toolbox.

K. Dummy Arms – serve as side rail along with hugger arms.

L. Swing Lights (optional) – lights can be pivoted out wider than the truck when working at night.

Safety Guidelines



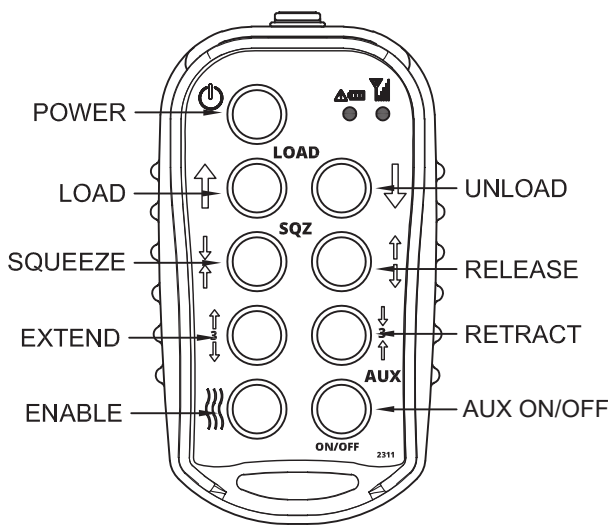
A. Valve Compartment – houses the hydraulic control valve and hydraulic oil filter.

B. Pioneer Couplers – connect hydraulic hoses to the squeeze cylinder – may also be used to connect to implements/tools.

*Leaking squeeze couplers may be replaced with Squeeze Hose Retrofit Kit (205474)

C. Hydraulic Oil Fill & Dipstick – check hydraulic oil level with dipstick – fill here when necessary.

Remote Control Transmitter – operates all functions of the flatbed



SAFETY WARNING!

Do not stand under the hugger arms when operating the reel transport unit, even when arms are empty.

Operator safety is of utmost concern when designing and developing a new piece of equipment. Designers and manufacturers build in as many safety features as possible. However, every year many accidents occur which could have been avoided by a few seconds of thought and a more careful approach to handling equipment. Most accidents can be avoided by observing the precautions in this section. To avoid personal injury, study the safety warnings and cautions listed in this manual and follow them.

General Equipment Safety

- This equipment can be dangerous to children and persons unfamiliar with its operation. The operator should be a responsible adult familiar with this machinery and trained for this unit.
- Do not attempt to operate equipment under the influence of drugs or alcohol.
- Do not allow persons to operate or assemble this unit until they have read this manual and have developed a thorough understanding of the safety precautions and how the unit works.
- Review the safety warnings and cautions with all users annually.

If you have any questions not answered in this manual or require additional copies, contact your dealer or Harper Industries.

Flatbed Operation Safety

- Replace any CAUTION, WARNING, DANGER or instruction decal that is not readable or is missing.
- Make sure all safety pins are in place and flatbed mounting bolts are secure to the truck frame.
- Make sure hinges, joints, and sliding parts are well greased, especially during off season to prevent rusting and binding.

- Check with truck dealer for any load limits, additional suspension or tire requirements. **The flatbed's lifting capability may exceed the truck's load capacity in some instances.**

Hydraulic Safety

- Do not operate the hydraulic system with the hood open.
- Do not activate the electric clutch unless the truck engine is at idle. Operating the clutch at road speeds can damage the hydraulic system.

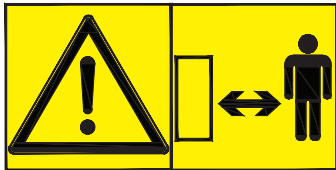


Hydraulic system operates under high pressure and escaping fluid can penetrate the skin.

Safety Symbols



- Do not open or remove safety shields while vehicle/unit is running.



- Stay a safe distance from machine when in use.

Operating Instructions

IMPORTANT: In cold weather, allow the engine to idle for 5-10 minutes with the pump on before operating the arms. This will allow the oil to warm up and flow more freely. Neglecting to do this may cause hydraulic pump failure.

Your DewEze Reel Transport bed is operated by hydraulics that are powered from a belt driven hydraulic pump (CPK), a transmission mounted pump (PTO), or an electric over hydraulic system. DewEze is the manufacturer/provider of the CPK or E/H system. For operation use of a PTO, please refer to your PTO provider.

For E/H systems information see page 11 under DewEze E/H Option.

Getting Started

The hydraulic flow is made available via the upfitter switches located in the cab of the truck. One switch is to provide power to the valve, the other switch is used to turn on the pump. Both switches must be in the ON position for any bed functions to be performed. The operator can control the functions of the arms (load/unload, and arms squeeze in and out) via the switches located on the front side of the headache rack, located on the driver's side. These functions can also be controlled via a wireless remote.

Arbor and Riser Attachment

Beginning Operation

- Place 12" cradles on hugger arms where desired and secure with 4" pins.
- Slide arbor into reel and secure with one of the L-shaped pins.
- Turn pump switch on the dash to the "ON" position. (Red light will indicate the pump is on).

Loading

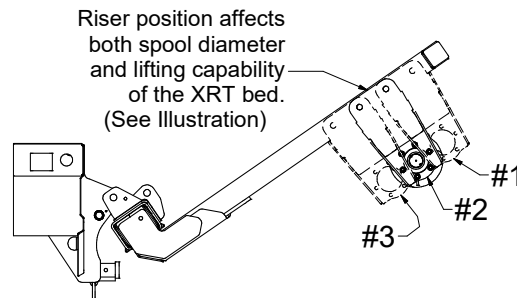
- Back the truck towards the reel with the arms spread apart.
- Position the cradles over the shaft and lower until they are fully seated.
- Secure the shaft in the cradles with the L-shaped pins.
- Lift the reel onto the truck.

Unloading

- To unload, do the reverse of the loading operation.

Pay-out

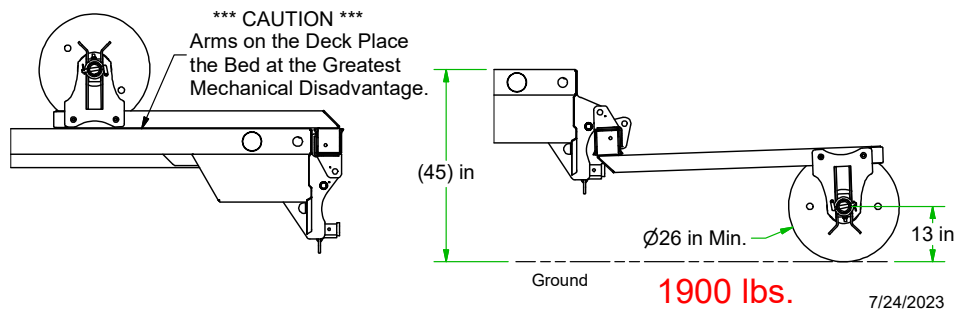
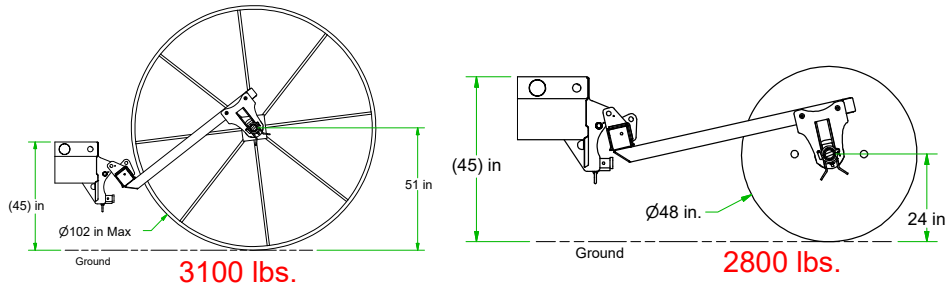
- Position the truck on as level terrain as possible and parallel to the direction the cable will be pulled, then set the parking brake.
- Pick the reel up a few inches off the flatbed so it will turn freely.
- The pump may be turned off during the unrolling operation.
- Take precautions necessary to ensure that the reel unrolls smoothly.
- Begin pay-out.



Lifting Capacities

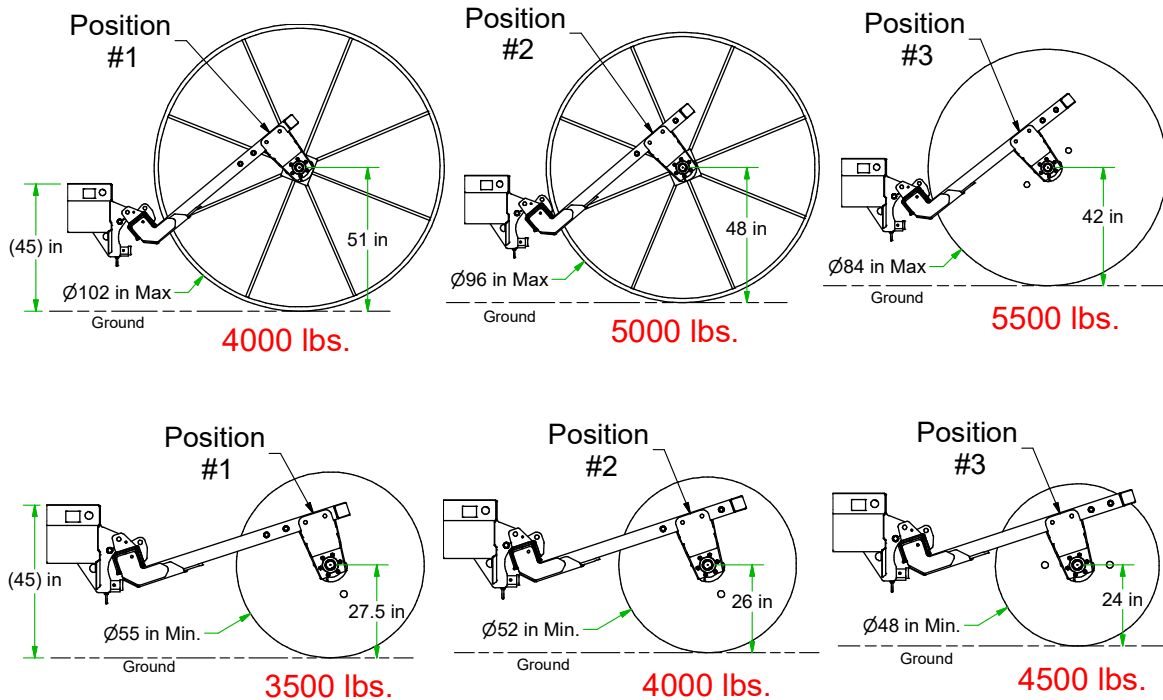
RT, Reel/Spool Diameters & Lifting Capacities

The diagrams below show the largest and smallest spools and how each affects relative lifting capacity.



XRT Riser Position, Reel/Spool Diameters & Lifting Capacities

The diagrams below shows the largest and smallest spools corresponding with each riser position. Also how each riser position affects relative lifting capacity.



11/22/2022

Reel Power Attachment

In order to use the hydraulic winder attachment, a third bank valve must be installed.

For best performance, the Deweze CPK system is recommended. The Reel Power attachment requires a hydraulic system capable of providing 4-5 gpm. Reduced flow will result in diminished speed. **Do not exceed 8 gpm.**

- The hydraulic winder attachment is stored in the passenger side, under-body toolbox. This attachment should be placed in the rear stake pocket of the bed. Note: you must raise the arms off the bed in order to access the stake pocket. **DO NOT DRIVE ON PUBLIC ROADS WITH WINDER VALVE ASSEMBLY IN THE STAKE POCKET.**
- Clean hydraulic fittings prior to connecting the valve to the hydraulic motor and the couplers on the rear of the body. Tailboard couplers are a push/pull operation, motor couplers slide the sleeve forward or backward to insert or remove.

Note: It may be necessary to reverse the tailboard couplers if the flow is in the wrong direction.

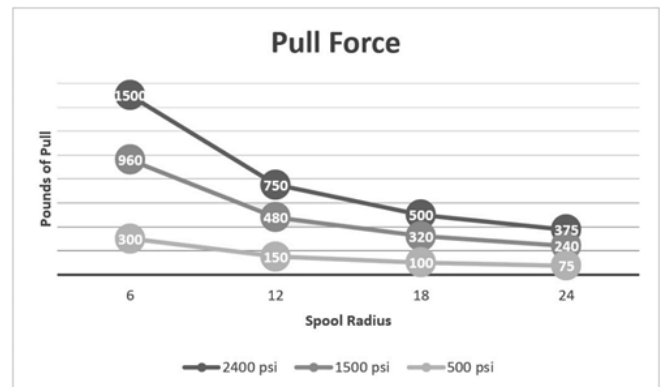
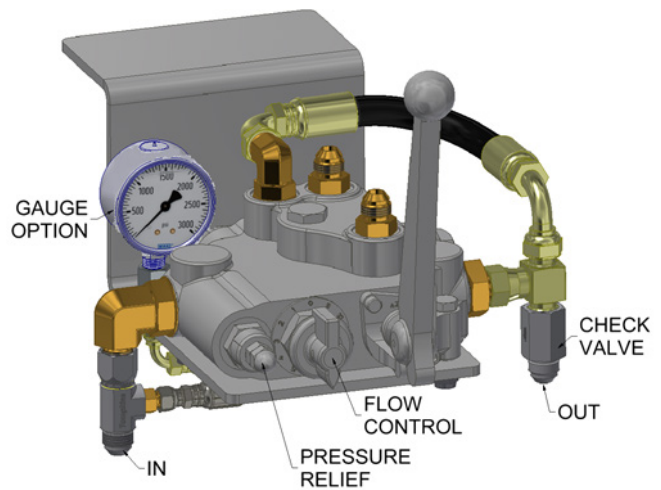
- To operate the winder, the third bank latching switch must be turned on, this is located on the front side of the headache rack on the driver's side or the AUX button on the remote. This provides oil flow to the winder valve.

Note: The load/unload and squeeze/un-squeeze functions should not be operated when third bank latching function is ON.

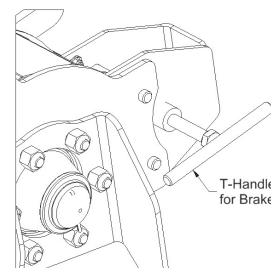
The hydraulic winder valve is a manual valve that can be used to pay out or take up. There is also a flow control that will allow the operator to adjust the speed of rotation based upon the situation.

Note: always start out with the flow control in the lowest setting.

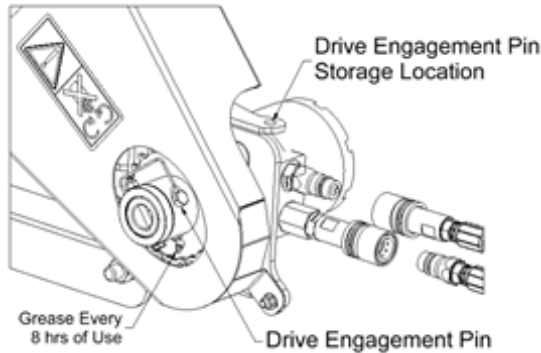
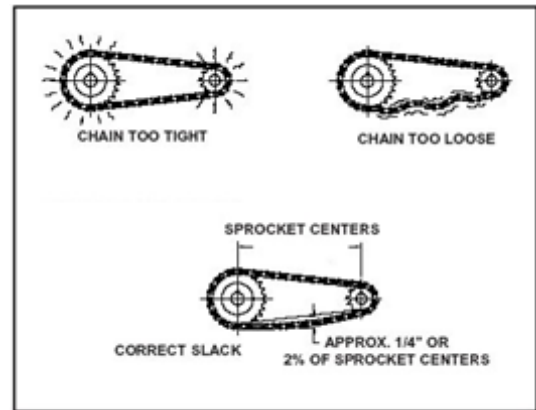
- There is an optional pressure gauge that can be installed to monitor pressure applied to the material being pulled.



Your winder attachment comes with a brake system that can be manually adjusted to reduce the amount of backlash.



- For take up the drive engagement pin must be installed.
- If you are free spooling material off the reel, the drive engagement pin that couples the hydraulic motor to the reel, must be removed. This will allow the reel to spin freely, not fighting the hydraulics of the system.
- The drive engagement pin should be stored when not in use or during transport..



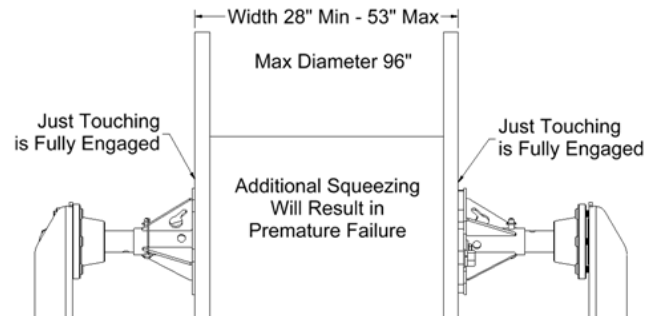
When the take up/pay out operation is complete, the pressure must be relieved from the valve before disconnecting.

To relieve pressure, follow this procedure:

- Turn off the upfitter switch for the pump, leave the upfitter switch that provides power to the valve ON.
- Move the take up valve both directions to relieve any pressure. Turn off the third bank and operate the load/unload and squeeze/unsqueeze functions to remove all system pressure.
- At this point in time the hydraulic lines can be disconnected from the hydraulic motor and the tailboard.

NOTE: Inspect drive chain prior to operation. Please refer to picture to ensure proper tension.

NOTE: When engaging spindles with the reels, adjust pins on anti-spin bar to align with drive holes on spool, **do not over squeeze. Only penetrate the reels to the point that you are resting against the flat face of the spindle. Over squeezing the reel will result in premature arm failure.**



NOTE: Do not lift reels that will exceed the vehicles GVRW.

Storing the Arms

- Close the arms partially and lay them on the flatbed.
- Open arms until they are flush with the side of the bed. They now function with the dummy arms as the bed's side rails.

Turn System Off

- Turn the pump off when it is not in use.

CAUTION: Operating the truck at road speeds, or above 2,000 RPM, with the pump engaged, may cause hydraulic pump failure.

Transport



When hauling a reel, make sure it is resting on the flatbed and is tightly secured. Carrying a reel behind the bed, places excessive stress on the lift cylinder, linkage, pins and shaft. Dislocation of a reel could result in serious injury or death to passengers of vehicles following behind.

When transporting reels on public roads, it is recommended to secure the arms such that, in the event of a hydraulic failure, the reel cannot come loose from the bed.

NOTE: Check with local DOT for required load securement practices.

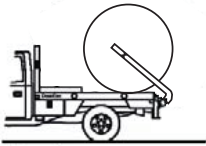


Fig. 1



Fig. 2

CAUTION: Do not exceed GVRW rating of truck when loading.

DewEze E/H Option (RT and XRT)

Deweze Heavy Duty EH is an option with the RT and power winder options with the following conditions/limitations:

1. The pull force is limited to 500 Lbs.
2. The winder is not used more than 30 Minutes out of an hour.
3. The truck chassis needs an alternator of at least 175A, the larger the alternator (or dual alternators) the better.

The Deweze Hybrid EH is **NOT** an option for the power winder but is a higher speed option for non-winder units. Following conditions will offer best performance for non-winder units:

1. Truck chassis should have a large capacity charging system (large alternator or dual alternators)
2. The secondary battery installed should be of highest capacity possible.

Note: The Hybrid EH is not suitable for power winder equipped units as the system will not be able to maintain an even battery charge to the secondary battery when used for long durations i.e., running the winder motor.

Maintenance

Check Daily or Before Use

- Check the hydraulic oil level. Keep the level to “FULL” on the dipstick.
- Check the belt, belt tensioner and idler pulleys on engine clutch pump system.
- Examine the hydraulic hoses for leaks with an object such as cardboard.



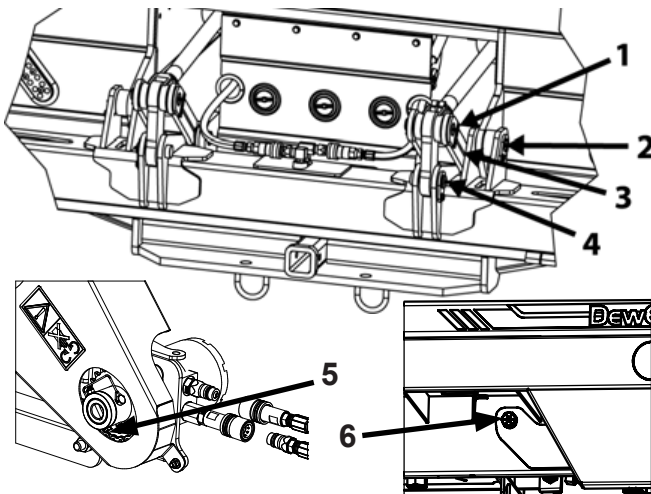
SAFETY WARNING!

Hydraulic fluid escaping under pressure can penetrate the skin and may cause death if not treated immediately.

Lubrication

Grease the locations indicated in the illustrations below once per week while the unit is in use and at the end of each season (same locations on right and left).

1. Lift cylinder – rod end
2. Cross-tube hinge
3. Idler arm base
4. Idler link pin
5. Winder Drive Couple
6. Lift cylinder – base end

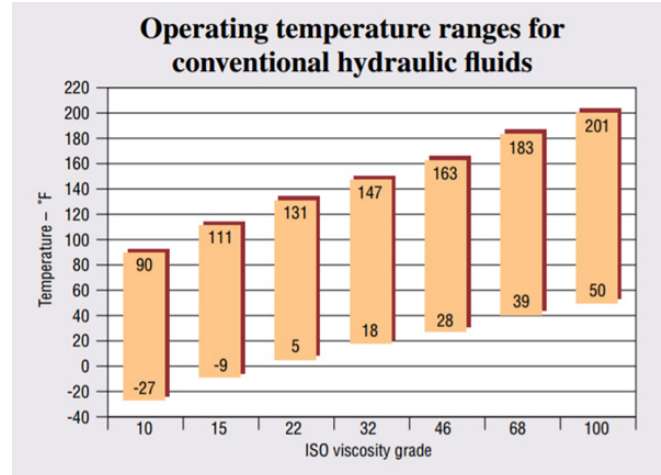


SAFETY WARNING!

Use extreme caution when greasing the flatbed. Completely lower arms to expose rear zerks and turn off ignition.

Hydraulic Oil

- Hydraulic fluid selection will affect the performance of the hydraulic system.



- Consult your local oil supplier for help in selection of a hydraulic fluid appropriate for your area. Consideration will also need to be given as to whether the system is a clutch pump or electric over hydraulic.
- Change the hydraulic oil filter after the first 40 hours of use and then every 250 hours, or annually thereafter.
- Change the hydraulic oil if it becomes contaminated or turns milky in appearance.
- In cold weather (below 10°F), use hydraulic oil that is specifically rated for cold weather.
- If other hydraulic equipment is attached to the bed, the oil will intermix and cold weather viscosity may be lost.

Hydraulic System

- If the quick-couplers leak, the o-rings may need to be replaced.
- High heat, 190° or greater, can be damaging to the hydraulic system. Feel various parts of the system to make sure there are no “hot spots” which may indicate a problem.
- In the off season, run the bed at least twice a month to prevent valve condensation.

- For easy hookup of the couplers, turn the pump switch off and activate the control valve switches with the ignition on. This will release pressure in the lines.

GatorHyde Protective Coating

- In the event that damage should occur to the GatorHyde protective coating, repair materials are available from your DewEze dealer to fix small areas. Follow the instructions provided in Appendix I.

Remote Control

- The remote control transmitter has two LED indicators, the green TRANSMIT indicator and the red BATTERY / DIAGNOSTIC indicator.
- The green TRANSMIT indicator flashes rapidly whenever there is communication between the transmitter and the receiver.
- The red BATTERY / DIAGNOSTIC indicator starts blinking once every second when the battery voltage is low and requires replacement. It also blinks when there is a problem with the system in the form of an error code. Refer to the ERROR CODE CHART in Appendix II.
- To synchronize a new transmitter and receiver together, refer to the TEACH ID CODE instructions in Appendix II.

Power Unit

- If the flatbed is powered with a DewEze Under-the-Hood hydraulic system, refer to the following chart when troubleshooting.
- See Appendix III if the flatbed is powered with the Electric/Hydraulic power unit.

Troubleshooting

Problem	Symptom	Possible Solution
Hydraulic Pump	No Oil Flow	<ul style="list-style-type: none"> • CHECK OIL LEVEL IN RESERVOIR. If oil level is low, check for leaks in system. Then, refill to FULL. • CHECK BELT TENSION. Replace tensioner or tighten idlers if needed. Replace belt if it is worn. • CHECK FOR SHEARED KEY ON PUMP SHAFT. Replace key. • CHECK IF SUCTION HOSE COLLAPSES IN SUCTION. Locate and remove the obstruction. • CLUTCH NOT FUNCTIONING. See possible clutch solutions. • INTERNAL PUMP DAMAGED. Seek assistance from a dealer.
Hydraulic Pump	No Oil Pressure	<ul style="list-style-type: none"> • HYDRAULIC OIL LEAKS IN SYSTEM. Take safety precautions and check for leaks. Tighten fittings and replace damaged hoses. • CHECK FOR MALFUNCTIONING SWITCH. Replace switches. • BELT OR CLUTCH MAY BE SLIPPING. Replace tensioner or tighten idlers if needed. Replace belt if it is worn. • VALVE NOT FUNCTIONING. Check for disconnected wires at the solenoid or for rusted ground wires. Seek assistance from a dealer if the valve continues to be unresponsive. • PUMP IS WORN OR DAMAGED. Seek assistance form dealer.
Clutch	Does Not Engage	<ul style="list-style-type: none"> • CHECK FOR BLOWN FUSE. Replace fuse. CAUTION: FUSE SHOULD NOT EXCEED 30 AMPS. • CHECK WIRE TO CLUTCH. Insure there are not breaks or shorts. • CHECK FOR BAD SWITCHES IN SYSTEM. Replace switches. • CLUTCH IS WORN OUT. Seek assistance form dealer.
Belt(s)	Jumps Off Pulley	<ul style="list-style-type: none"> • BELT(S) TOO LOOSE. Replace tensioner or tighten idler pulleys. • CHECK FOR EXCESSIVE BELT WEAR. Replace worn belt(s). • CHECK FOR LOOSE PUMP BRACKET. Tighten loose bolts. Replace broken bolts. • CHECK CRANKSHAFT PULLEY FOR LOOSE OR BROKEN BOLTS. Tighten loose bolts. Replace broken bolts. • CHECK ALIGNMENT OF IDLER PULLEYS AND CONDITION OF BEARINGS. Re-align idler pulleys or replace worn idler pulleys. • CHECK ALIGNMENT OF CLUTCH AND CRANKSHAFT PULLEY. If misalignment is visible, seek assistance from dealer.

 **SAFETY WARNING!** 
Use extreme caution when inspecting an engine. Serious injury or death could result from getting too close! Remove key from ignition when servicing.

DewEze®

RT & XRT FLATBED

PARTS

Table of Contents

PARTS SECTION

Standard Parts

RT Common Parts.....	18
XRT60 & 84 Common Parts.....	19
RT Dummy Arms.....	20
RT Parallel Squeeze Crosstube & Arms.....	21
XRT Crosstube & Arm Assembly.....	22-23
XRT Right Squeeze Arm.....	24
XRT Left Squeeze Arm.....	25
XRT 60 & 84 Dummy Arms.....	26

Hydraulics

RT Dual Lift Hydraulics.....	27-28
Hydraulic Assembly Reservoir.....	29
XRT Dual Lift Hydraulics.....	30-31
XRT Lift Cylinder Valve & Squeeze Cylinder...	32
XRT Reservoir Assembly.....	33
Valve and Filter - Gen 3 Double Poppet.....	34
Valve Service Parts.....	35
XRT Hydraulic Schematic.....	36

Controls and Lights

RF Control and Manual Switches.....	37
Clutch Control Switch.....	38
Lights and Harness.....	39
Harness Adapters: OEM to DewEze.....	40

Decals

Decals-Safety/Operation.....	41
600/700 Series Decals.....	42
XRT Decals.....	43

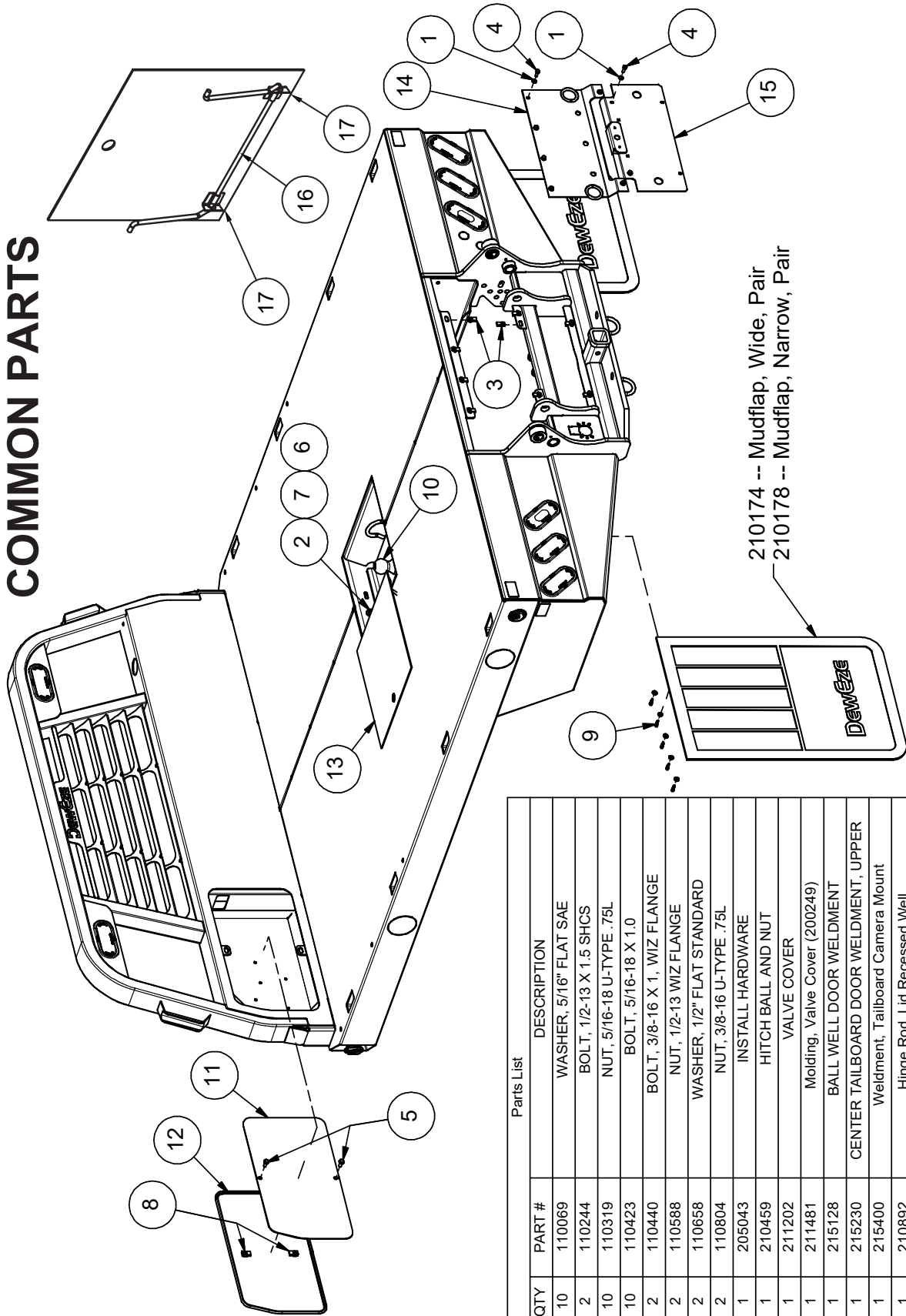
Accessories

Swingout Lights.....	44
Cargo Lights.....	45
30" Toolbox & Fender Skirts.....	46
Across the Bed Toolbox.....	47
Front Skirt Toolbox Replacement.....	48
Rear View Camera Mounting Kit.....	49
Bed Mounting Kits.....	50
RT Winder Complete.....	51
3rd Bank Rear Couplers.....	52-53
RT Spinner and Riser Assy.....	54-56
RT Winder Option.....	57-62
RT Option Permanent Valve Retrofit.....	63-65
RT Overspin Brake Option.....	66-69
Pressure Gauge Option.....	70
Cradle Risers, Arbor, and Locks.....	71
RT Dump Box.....	72
XRT Spinner & Riser Assembly.....	73
XRT Cradle Riser, Arbor, & Locks Assy.....	74
XRT Riser Assembly.....	75
XRT Drop Cradle for Small Reels.....	76

Appendices

I	
	GatorHyde Repair..... 77
II	
	Remote Control..... 78-79
	2-Bank - Gen 3 w/ Remote..... 80-81
	3-Bank - Gen 3 w/ Remote..... 82-83
III	
	HD E/H - Install Instructions..... 84-85
	HD E/H Power Kit..... 86-91

RT 600/700 COMMON PARTS



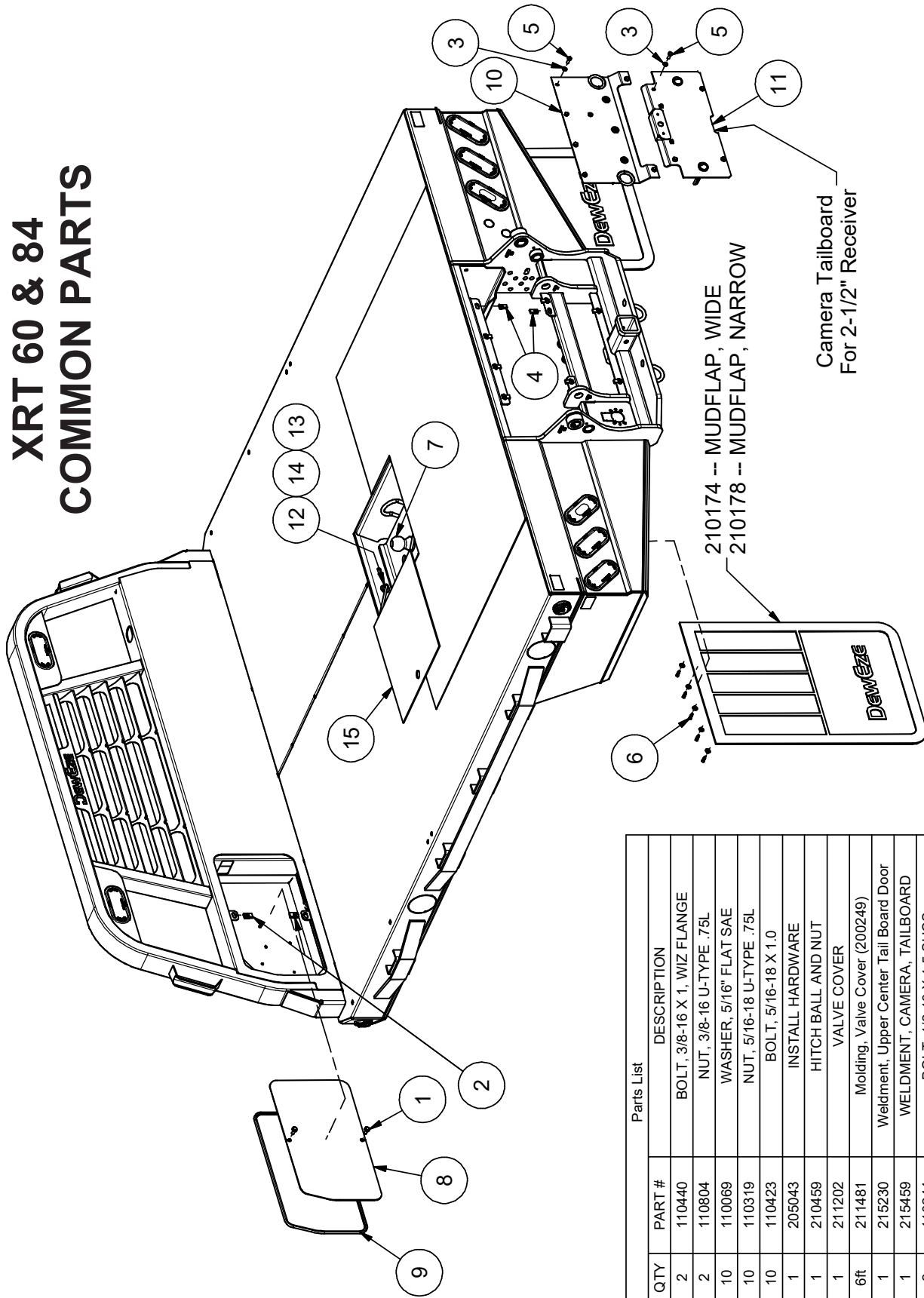
210174 -- Mudflap, Wide, Pair
210178 -- Mudflap, Narrow, Pair

Parts List

ITEM	QTY	PART #	DESCRIPTION
1	10	110069	WASHER, 5/16" FLAT SAE
2	2	110244	BOLT, 1/2-13 X 1.5 SHCS
3	10	110319	NUT, 5/16-18 U-TYPE .75L
4	10	110423	BOLT, 5/16-18 X 1.0
5	2	110440	BOLT, 3/8-16 X 1, WIZ FLANGE
6	2	110588	NUT, 1/2-13 WIZ FLANGE
7	2	110658	WASHER, 1/2" FLAT STANDARD
8	2	110804	NUT, 3/8-16 U-TYPE .75L
9	1	205043	INSTALL HARDWARE
10	1	210459	HITCH BALL AND NUT
11	1	211202	VALVE COVER
12	1	211481	Molding, Valve Cover (200249)
13	1	215128	BALL WELL DOOR WELDMENT
14	1	215230	CENTER TAILBOARD DOOR WELDMENT, UPPER
15	1	215400	Weldment, Tailboard Camera Mount
16	1	210892	Hinge Rod, Lid Recessed Well
17	2	210920	Hinge Clip

6/30/2021

XRT 60 & 84 COMMON PARTS



Parts List

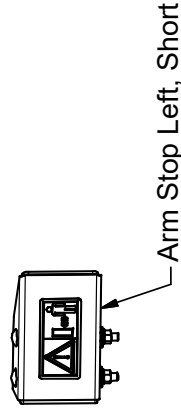
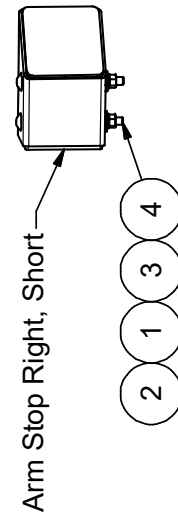
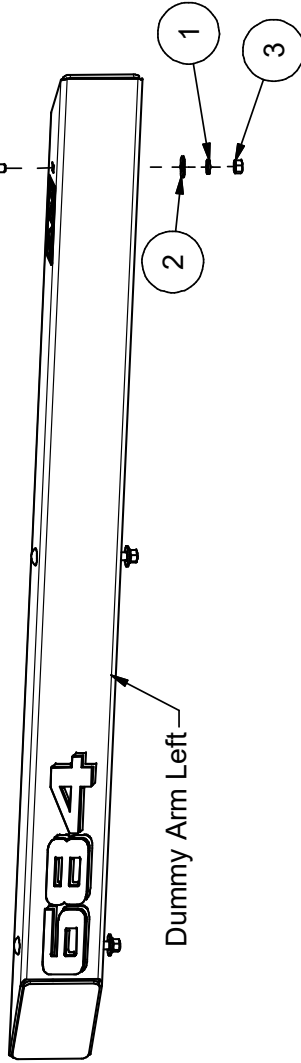
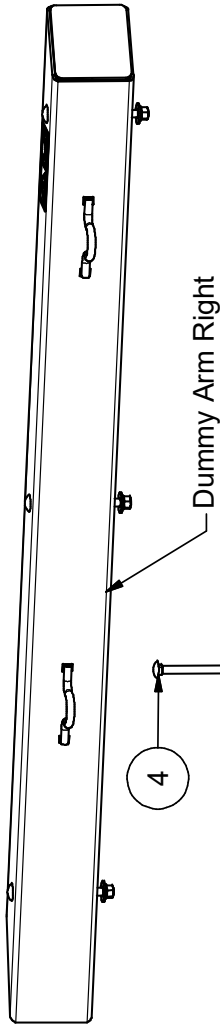
ITEM	QTY	PART #	DESCRIPTION
1	2	110440	BOLT, 3/8-16 X 1, WIZ FLANGE
2	2	110804	NUT, 3/8-16 U-TYPE .75L
3	10	110069	WASHER, 5/16" FLAT SAE
4	10	110319	NUT, 5/16-18 U-TYPE .75L
5	10	110423	BOLT, 5/16-18 X 1.0
6	1	205043	INSTALL HARDWARE
7	1	210459	HITCH BALL AND NUT
8	1	211202	VALVE COVER
9	6ft	211481	Molding, Valve Cover (200249)
10	1	215230	Weldment, Upper Center Tail Board Door
11	1	215459	WELDMENT, CAMERA, TAILBOARD
12	2	110244	BOLT, 1/2-13 X 1.5 SHCS
13	2	110588	NUT, 1/2-13 WIZ FLANGE
14	2	110658	WASHER, 1/2" FLAT STANDARD
15	1	215128	BALL WELL DOOR WELDMENT

RT 600/700 DUMMY ARMS & STOPS

Parts List	
ITEM	DESCRIPTION
1	WASHER, 3/8" LOCK
2	WASHER, 3/8" FLAT STANDARD
3	NUT, 3/8-16 GR 5
4	Bolt, 3/8-16 X 5 in Carriage

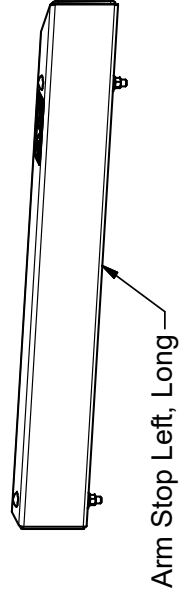
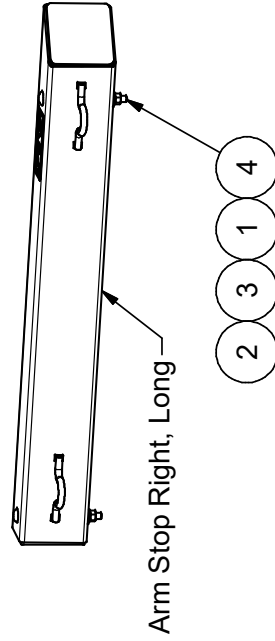
Dummy Arms	
Left or Right	Part #
	205331
	205332
	205316
	205327
	205328
	205329
	205330

* Model # Decals Must be Ordered Separately



Arm Stops for Beds
With 40" Top Side Boxes

- 60 CA
Left Short -- 205421
Right Short -- 205422
- 84 CA
Left & Right Long -- 205419

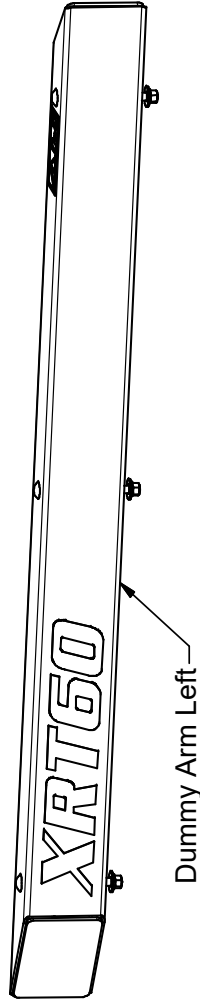
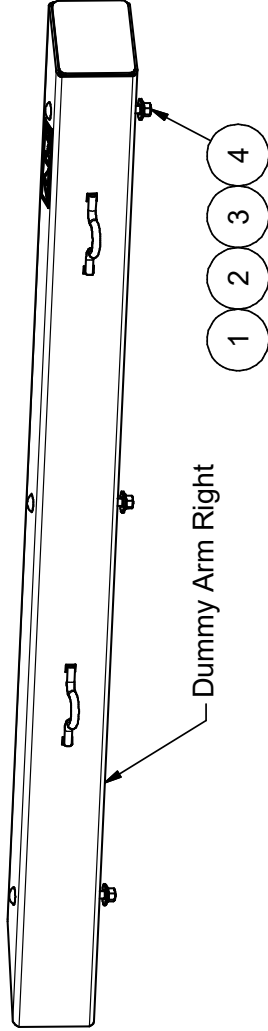


XRT 60 & 84 DUMMY ARMS & STOPS

Parts List	
ITEM	DESCRIPTION
1	WASHER, 3/8" LOCK
2	WASHER, 3/8" FLAT STANDARD
3	NUT, 3/8-16 GR 5
4	Bolt, 3/8-16 X 5 in Carriage

* Model # Decals Must be Ordered Separately

Dummy Arms		
Left or Right	Part #	Decal #
XRT60	205316	202176
XRT84	205327	202177



Arm Stops for Beds
With 40" Top Side Boxes

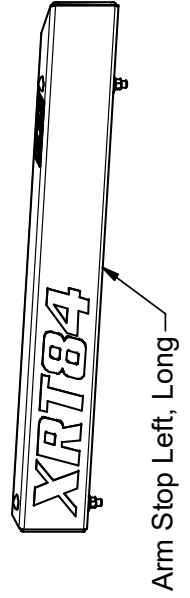
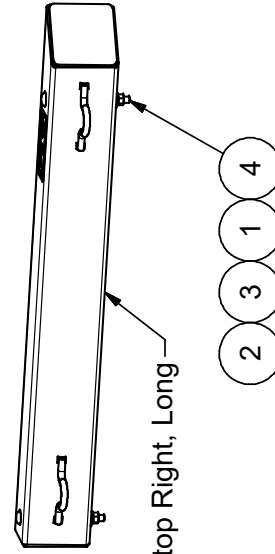
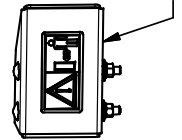
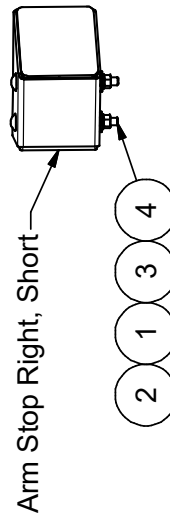
60 CA

Left Short -- 205421

Right Short -- 205422

84 CA

Left & Right Long -- 205419

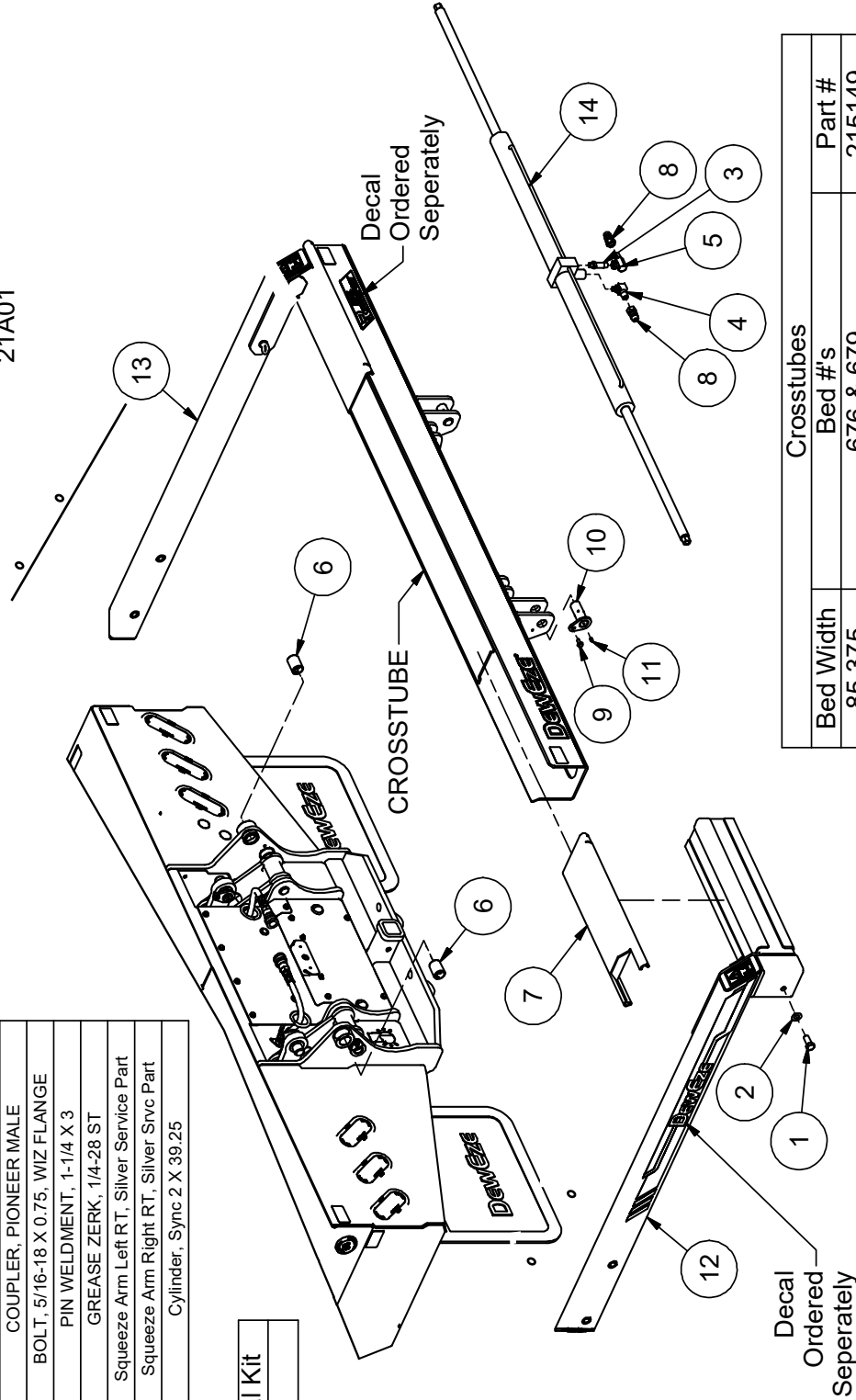


RT 600/700 PARALLEL CROSSTUBE & ARMS

Starting S/N
21A01

Parts List		DESCRIPTION
ITEM	QTY	PART #
1	2	110365
2	2	110663
3	1	120078
4	1	120147
5	1	120311
6	2	202023
7	2	211292
8	2	420005
9	10	110444
10	2	215140
11	8	510174
12	1	211993
13	1	211994
14	1	223026

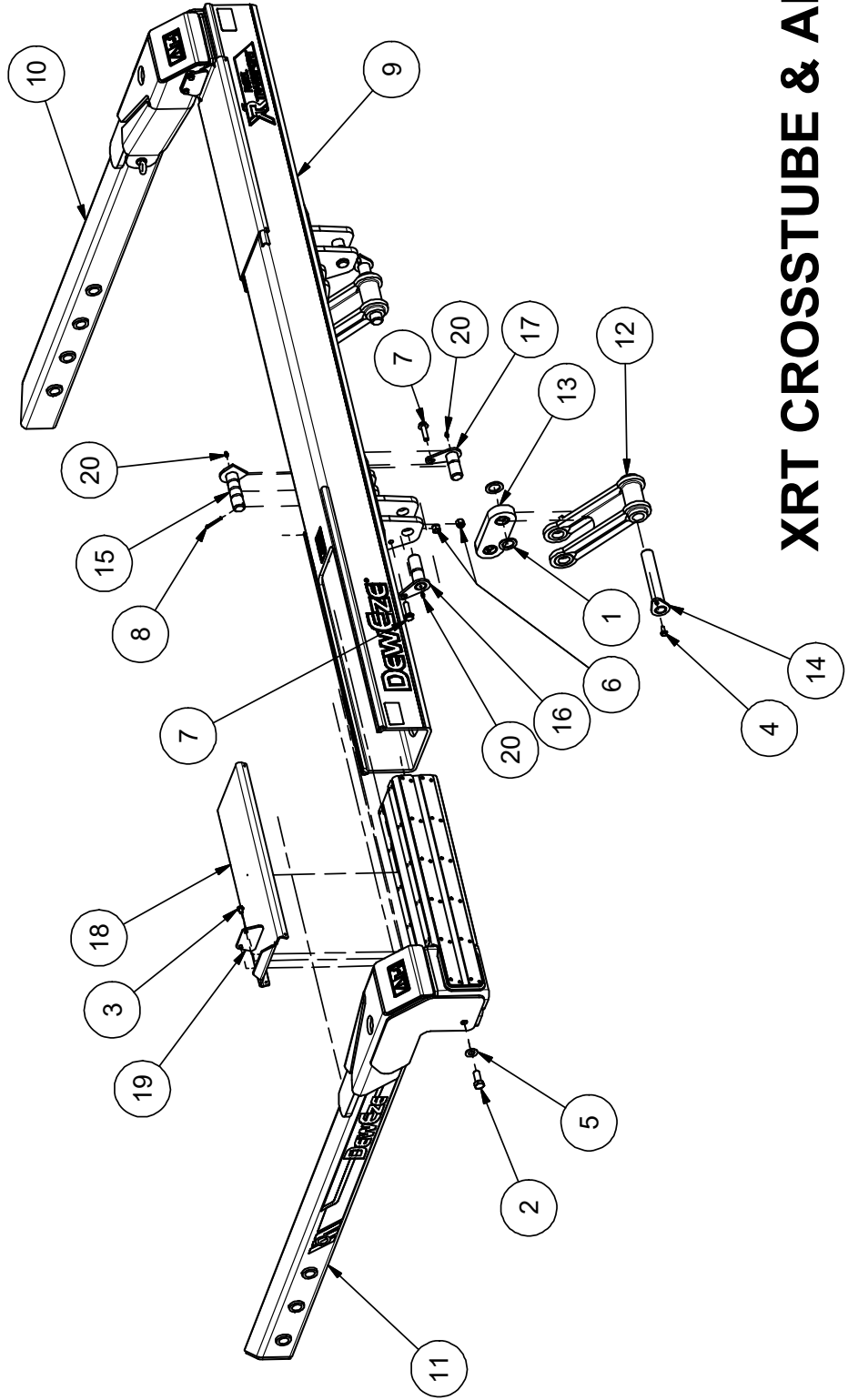
Squeeze Cyl Seal Kit
Part# 220056



Crosstubes		
Bed Width	Bed #'s	Part #
85.375	676 & 679	215149
93.0	684 & 688	215162
96.5	776, 784 & 788	215138

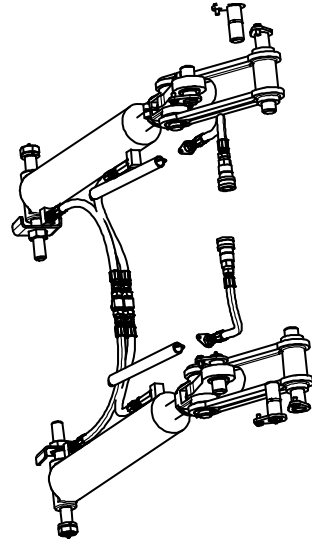
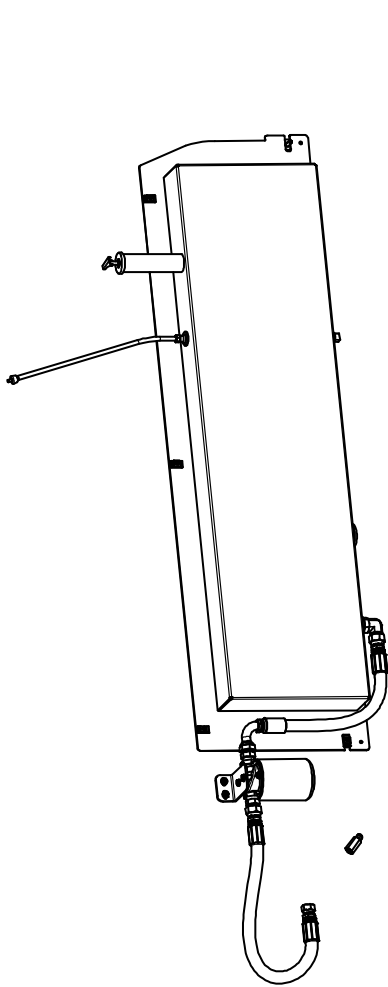
3/21/2022

Parts List				Parts List				Parts List			
ITEM	QTY	PART #	DESCRIPTION	ITEM	QTY	PART #	DESCRIPTION	ITEM	QTY	PART #	DESCRIPTION
1	4	110336	WASHER, 1-1/4" FLAT MACHINE	8	2	200150	ROLL PIN, 1/4 X 2	15	2	215142	PIN WELDMENT, 1-1/4 X 4
2	2	110365	BOLT, 5/8-18 X 1.5 GR 5	9	1	205405	Crosstube XRT, Service Part	16	2	215427	Weldment, Crosstube Hinge Pin, 1-1/4
3	4	110426	BOLT, 5/16-18 X 0.5, WIZ FLANGE	10	1	205406	Squeeze Arm Right, XRT	17	2	215428	Weldment, Crosstube Link Pin, 1-1/4
4	2	110444	BOLT, 5/16-18 X 0.75, WIZ FLANGE	11	1	205407	Squeeze Arm Left, XRT	18	2	270102	Shield, XRT
5	2	110663	WASHER, 5/8" FLAT SAE	12	2	210935	Idler Arm, Machined	19	2	270105	Shield Bracket
6	4	111034	NUT, 1/2-13 LOCK NYLON	13	2	214012	Push Arm Assy, XRT	20	6	510174	GREASE ZERK, 1/4-28 ST
7	4	111209	BOLT, 1/2-13 X 1.75, WIZ FLANGE, Gr 8	14	2	215141	PIN WELDMENT, 1-1/4 X 7				



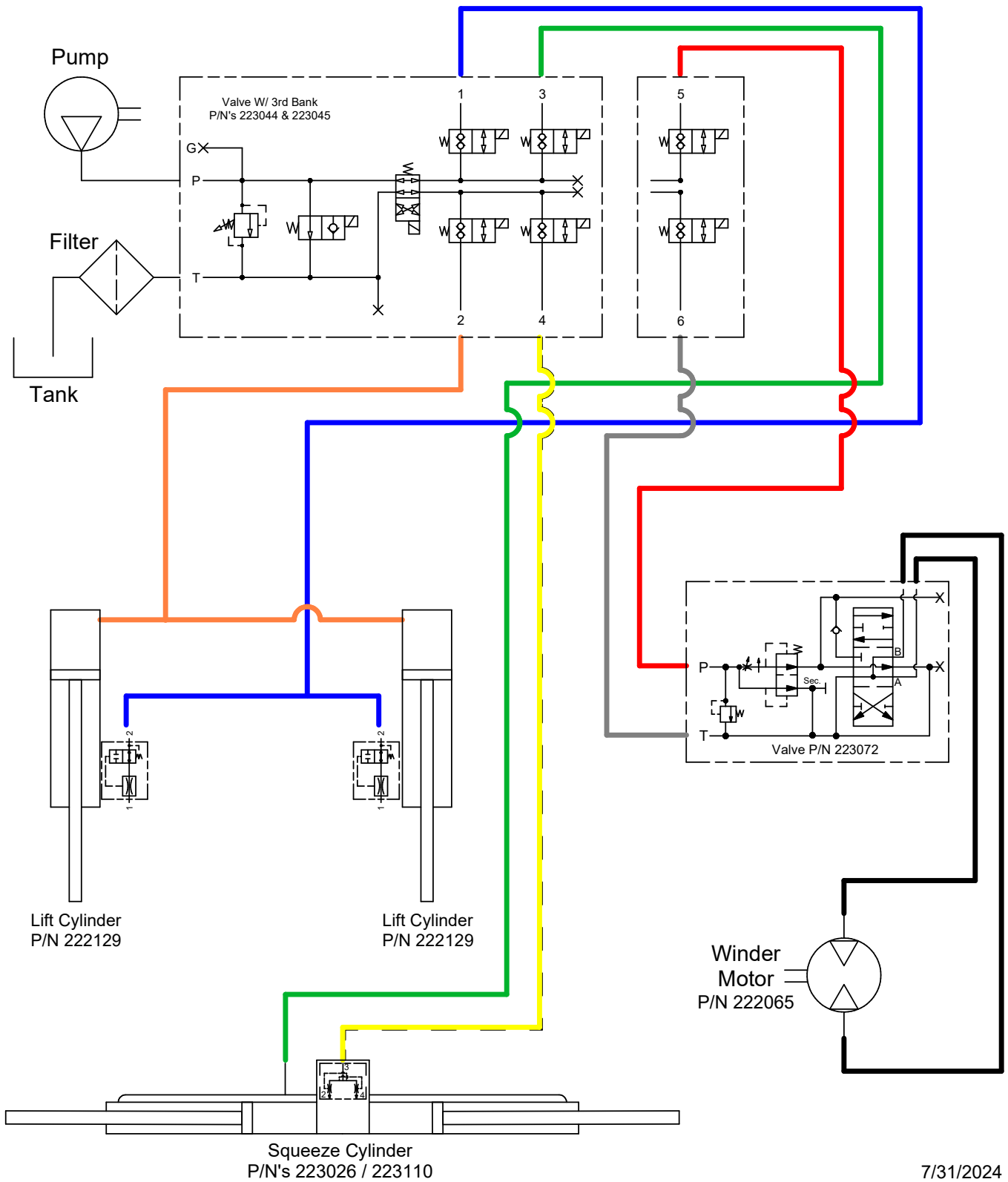
XRT CROSSTUBE & ARMS

Parts List		Parts List		Parts List		Parts List	
ITEM	QTY	PART #	DESCRIPTION	ITEM	QTY	PART #	DESCRIPTION
1	2	110290	NUT, 1/4-20 WIZ FLANGE	6	4	110616	NUT, 5/16", J-TYPE, CAGE, .5C
2	4	110336	WASHER, 1-1/4" FLAT MACHINE	7	2	110649	WASHER, 1" LOCK
3	4	110434	BOLT, 1/4-20 X 0.5, WIZ FLANGE	8	2	110676	WASHER, 3/8" FLAT STANDARD
4	10	110444	BOLT, 5/16-18 X 0.75, WIZ FLANGE	9	1	120237	ADAPTER, 4BH-4MP
5	1	110459	BOLT, 5/16-18 X 1, WIZ FLANGE	10	2	120242	ADAPTER, 8MJ-8MJ-8MJ
				11	2	120244	ADAPTER, 12MJ-12MP
				12	1	120257	ADAPTER, 12MJ-12MB90
				13	2	120319	ADAPTER, 6MJ-6MB
				14	2	122038	Adapter, 6mb-6mb
				15	2	122040	Adapter, Velocity 10gpm, 6mj-6fb
				16	2	200150	ROLL PIN, 1/4 X 2
				17	2	202022	SPRING, 1" O.D. X 12" L X .105 WIRE
				18	2	210935	Idleer Arm, Machined
				19	2	214002	PUSH ARM ASSY, DUAL LIFT
				20	2	215140	PIN WELDMENT, 1-1/4 X 3
				21	2	215141	PIN WELDMENT, 1-1/4 X 7
				22	2	215142	PIN WELDMENT, 1-1/4 X 4
				23	2	215144	KEEPER, 1 IN NUT, WELDMENT
				24	2	215148	PIN WELDMENT, CROSSTUBE LINK
				25	1	220566	Dipstick Cap, Reservoir Flatbed
				26	1	220587	VENT HOSE
				27	1	222039	Valve, Check With .075 Orifice
				28	2	222129	LIFT CYLINDER 3.50 X 16.6
				29	1	223051	Hydraulic Hose Kit, Common
				30	1	225012	Reservoir, Flatbed, Remote Filter
				31	2	260111	MOUNT, HOSE SPRING
				32	1	260265	MOUNTING BRACKET, FILTER
				33	2	260760	Bolt, 1-8 x 10, Greasable
				34	8	510174	GREASE ZERK, 1/4-28 ST
				35	1	540031	FUEL FILTER
				36	1	720041	FILTER HEAD
				37	1	720043	FILTER, 10 MICRON



RT 600/700 HYDRAULICS

RT Hydraulic Schematic

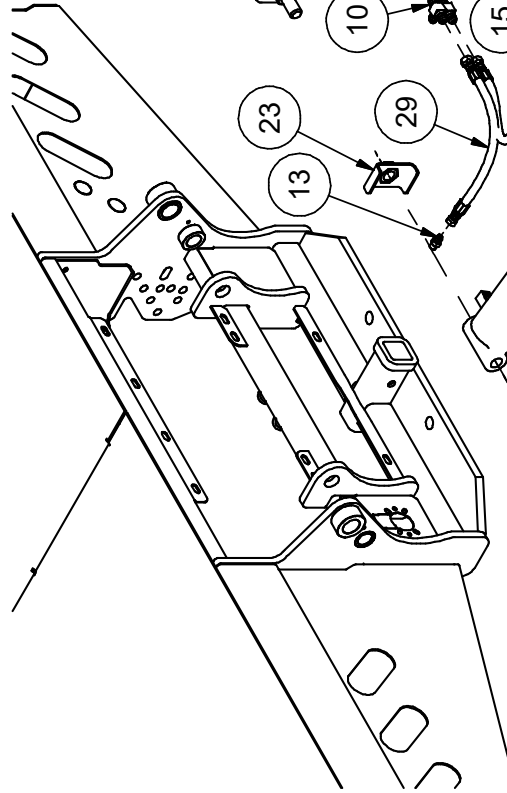


7/31/2024

RT 600/700 LIFT HYDRAULICS

600 - 700 WITH GENERATION 3 VALVES

COMMON HOSES	SQUEEZE HOSES SHORT 6MTF3 - 8FJX / 8MP	LIFT HOSES SHORT 8M3K - 6FJX / 8FJX	RESERVOIR RETURN 12-10FJX / 12-12FJX	HYDRAULIC HOSE KIT #
	2 ea.	4 ea.	1 ea.	
	220682 (17 in.)	220681 (17 in.)	220723 (25 in.)	223051
FLATBED LENGTH	SQUEEZE HOSES 8M3K - 8FJX / 8MJ	LIFT HOSES 8M3K - 6FJX / 8FJX		
101 in.	2 ea.	2 ea.		
	220685 (132 in.)	220689 (111 in.)		223036
110 in.	220685 (132 in.)	220689 (111 in.)		223036
136 in.	220686 (158 in.)	220690 (137 in.)		223037

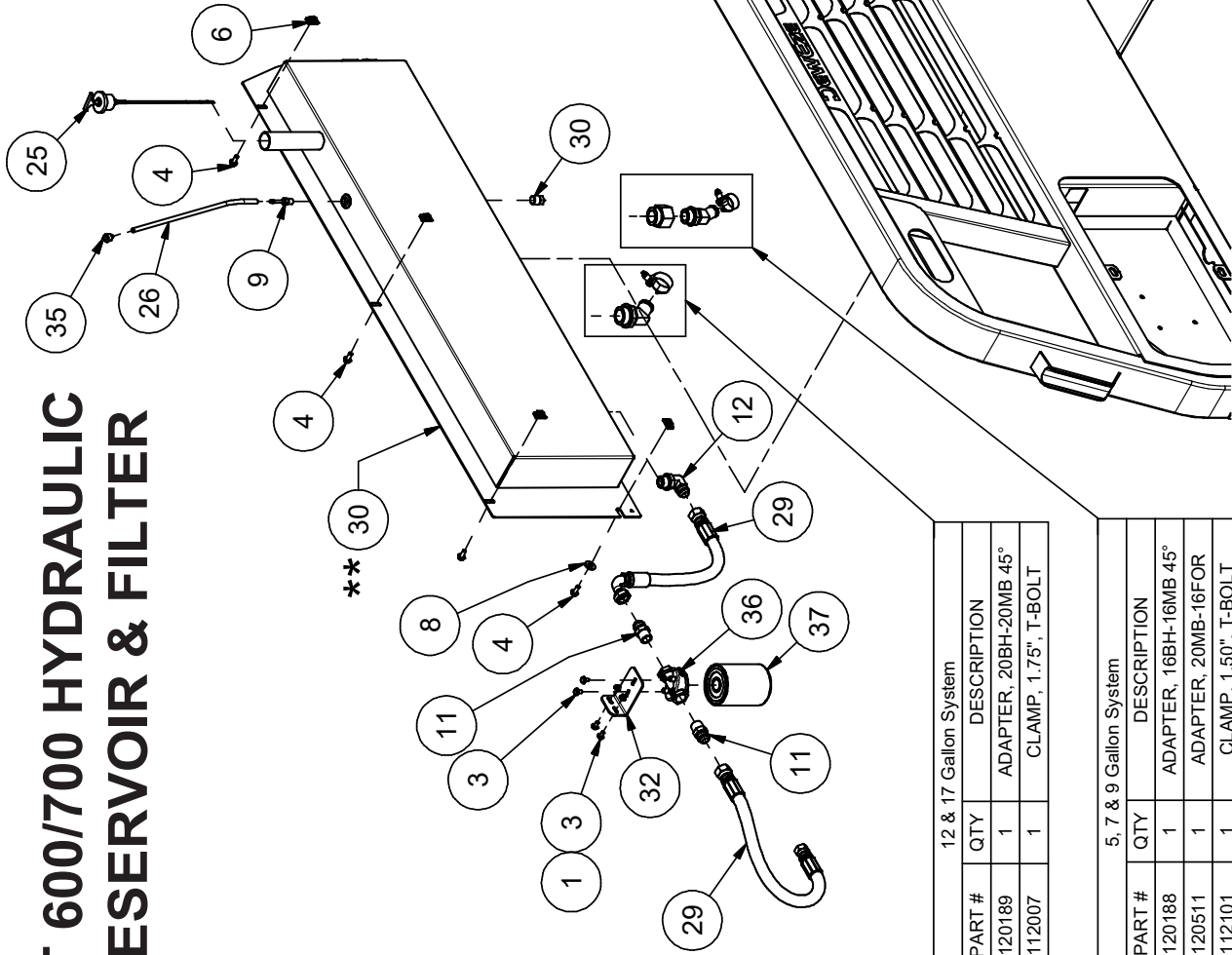


Dual Lift Cylinders
 Production Part# 222129
 Seal Kit Part# 212012

Parts List

ITEM	QTY	PART #	DESCRIPTION
2	4	110336	WASHER, 1-1/4" FLAT MACHINE
4	4	110444	BOLT, 5/16-18 X 0.75, WIZ FLANGE
7	2	110649	WASHER, 1" LOCK
10	2	120242	ADAPTER, 8MJ-8MJ-8MJ
13	2	120319	ADAPTER, 6MJ-6MB
14	2	122038	Adapter, 6mb-6mb
15	2	122040	Adapter, Velocity 10gpm, 6mj-6fb
16	2	200150	ROLL PIN, 1/4 X 2
17	2	202022	SPRING, 1" O.D. X 12" L X .105 WIRE
18	2	210935	Idler Arm, Machined
19	2	214002	PUSH ARM ASSY, DUAL LIFT
21	2	215141	PIN WELDMENT, 1-1/4 X 7
22	2	215142	PIN WELDMENT, 1-1/4 X 4
23	2	215144	KEEPER, 1 IN NUT, WELDMENT
24	2	215148	PIN WELDMENT, CROSSTUBE LINK
28	2	222129	LIFT CYLINDER 3.50 X 16.6
29	1	223051	Hydraulic Hose Kit, Common
31	2	260111	MOUNT, HOSE SPRING
33	2	260760	Bolt, 1-8 x 10, Greasable
34	6	510174	GREASE ZERK, 1/4-28 ST

RT 600/700 HYDRAULIC RESERVOIR & FILTER



** For Medium-Tall Headache Rack
Reservoir Part # -- 255033
Dipstick Cap Part # -- 220803

Parts List		
ITEM	QTY	DESCRIPTION
1	2	NUT, 1/4-20 WIZ FLANGE
3	4	BOLT, 1/4-20 X 0.5, WIZ FLANGE
4	4	BOLT, 5/16-18 X 0.75, WIZ FLANGE
5	1	BOLT, 5/16-18 X 1, WIZ FLANGE
6	4	NUT, 5/16", J-TYPE, CAGE, .5C
8	2	WASHER, 3/8" FLAT STANDARD
9	1	ADAPTER, 4BH-4MP
11	2	ADAPTER, 12MJ-12MP
12	1	ADAPTER, 12MJ-12MB90
25	1	Dipstick Cap, Reservoir Flatbed
26	1	VENT HOSE
29	1	Hydraulic Hose Kit, Common
30	1	Reservoir, Flatbed, Remote Filter
32	1	MOUNTING BRACKET, FILTER
35	1	FUEL FILTER
36	1	FILTER HEAD
37	1	FILTER, 10 MICRON

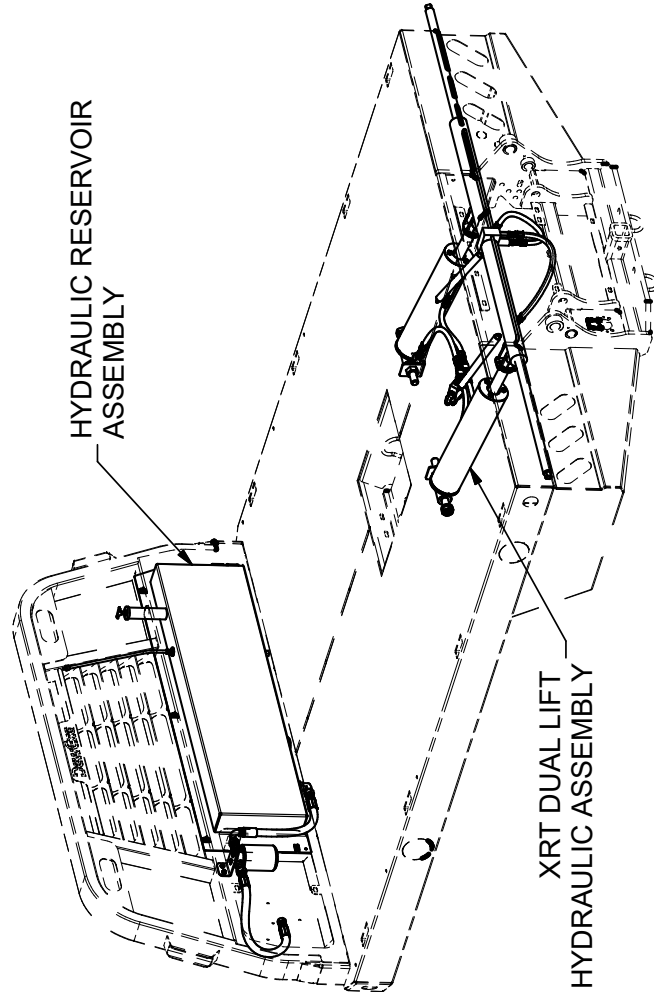
12 & 17 Gallon System	
PART #	DESCRIPTION
120189	ADAPTER, 20BH-20MB 45°
112007	CLAMP, 1.75", T-BOLT

5, 7 & 9 Gallon System	
PART #	DESCRIPTION
120188	ADAPTER, 16BH-16MB 45°
120511	ADAPTER, 20MB-16FOR
112101	CLAMP, 1.50", T-BOLT

Parts List		Parts List	
ITEM	QTY	PART #	DESCRIPTION
1	2	110290	NUT, 1/4-20 WIZ FLANGE
2	4	110434	BOLT, 1/4-20 X 0.5, WIZ FLANGE
3	4	110444	BOLT, 5/16-18 X 0.75, WIZ FLANGE
4	1	110459	BOLT, 5/16-18 X 1, WIZ FLANGE
5	4	110616	NUT, 5/16", J-TYPE, CAGE, .5C
6	2	110649	WASHER, 1" LOCK
7	2	110676	WASHER, 3/8" FLAT STANDARD

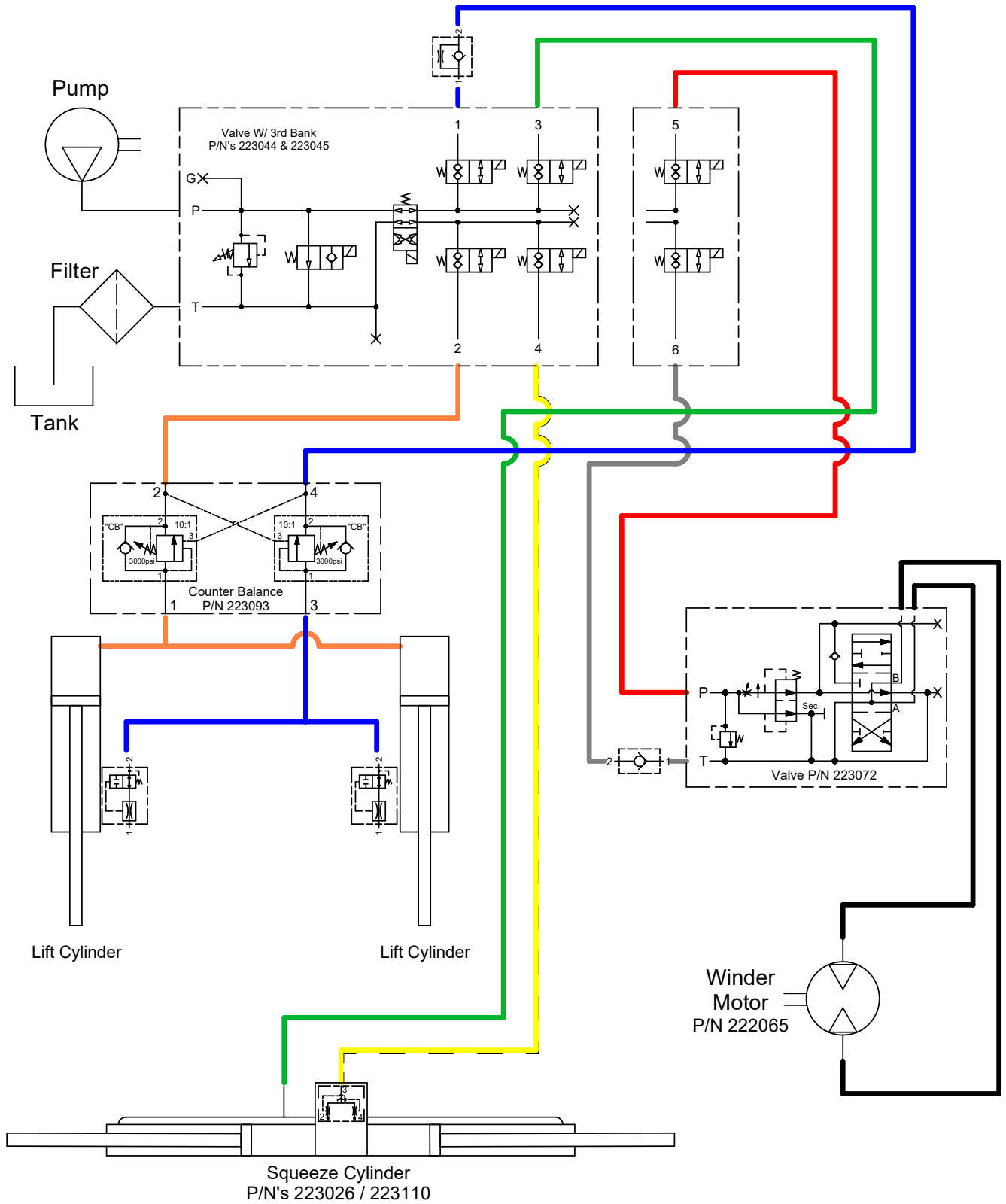
ITEM	QTY	PART #	DESCRIPTION
8	1	120237	ADAPTER, 4BH-4MP
9	2	120242	ADAPTER, 8MJ-8MJ-8MJ
10	2	120244	ADAPTER, 12MJ-12MP
11	1	120257	ADAPTER, 12MJ-12MB90
12	2	120288	ADAPTER, 8MJ-8MB90
13	3	120319	ADAPTER, 6MJ-6MB
14	2	120601	ADAPTER, 8MB-8FJX
16	2	122038	Adapter, 6mb-6mb
17	2	122040	Adapter, Velocity 10gpm, 6mj-6fb
18	2	202022	SPRING, 1" O.D. X 12" L X .105 WIRE
19	2	215430	Weldment, Keeper 1" Nut
20	1	220566	Dipstick Cap, Reservoir Flatbed
21	1	220587	VENT HOSE
22	1	223093	Valve, Counter Balance, Cross Pilot
23	2	223094	Cylinder, Lift, 4.0 X 15.31
24	1	223095	Hydraulic Hose Kit, Common
25	1	223026	Cylinder, Sync 2 X 39.25
26	1	225012	Reservoir, Flatbed, Remote Filter
27	2	260111	MOUNT, HOSE SPRING
28	1	260265	MOUNTING BRACKET, FILTER
29	2	260760	Bolt, 1-8 x 10, Greasable
30	2	510174	GREASE ZERK, 1/4-28 ST
31	1	540031	FUEL FILTER
32	1	720041	FILTER HEAD
33	1	720043	FILTER, 10 MICRON
34	1	120484	ADAPTER, 6MJ-6MB-LONG

ITEM	QTY	PART #	Medium Tall XRT 205416 Rev B
35	1	220803	Dipstick Cap, Medium Tall
36	1	225033	Reservoir, Extended Filler, Remote Filler



XRT HYDRAULICS

6-700 Series XRT Hydraulic Schematic

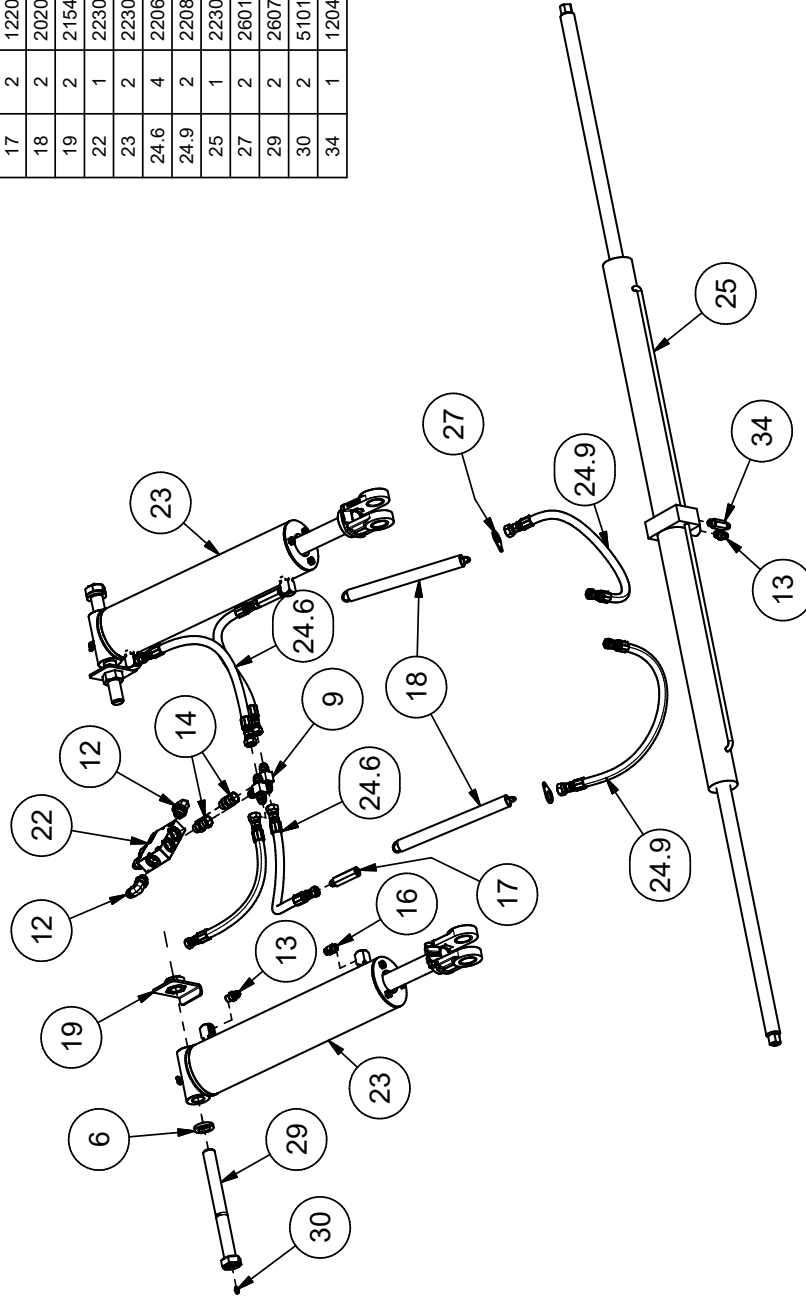


4/10/2026

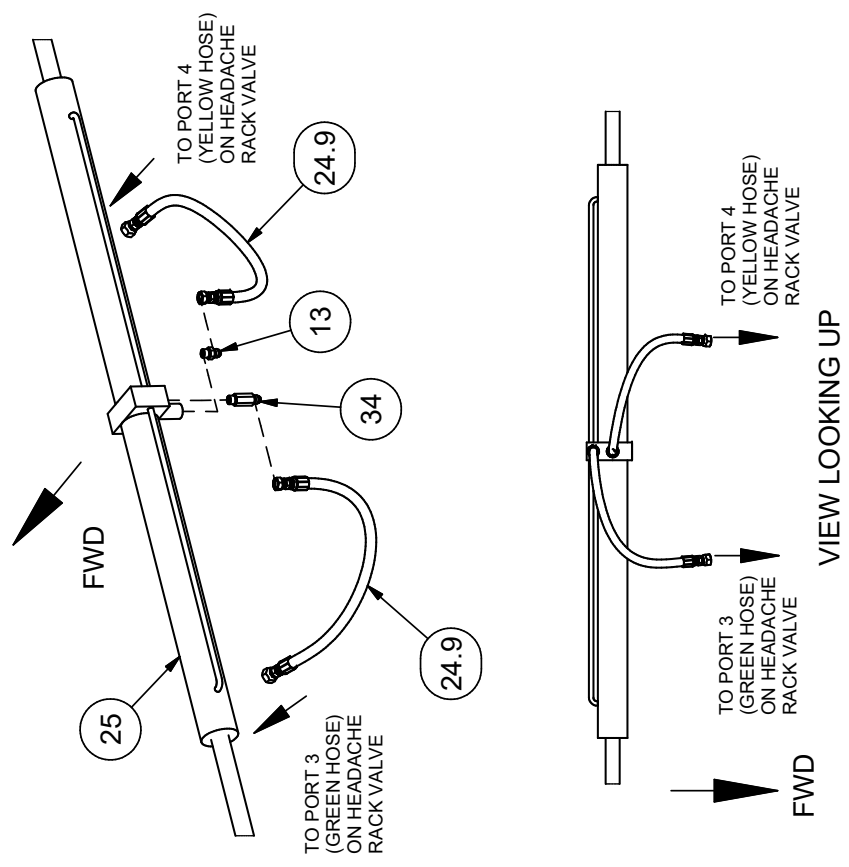
XRT HYDRAULIC ASSEMBLY

Parts List

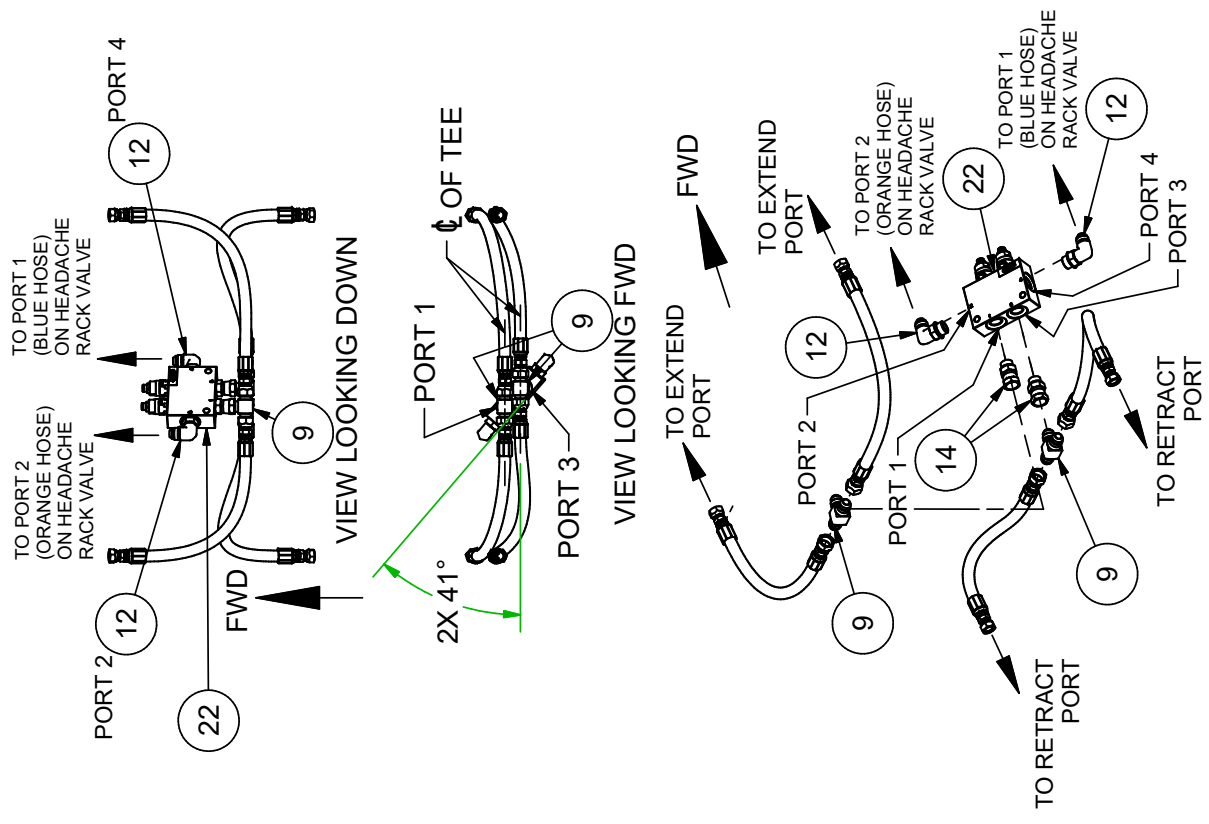
ITEM	QTY	PART #	DESCRIPTION
6	2	110649	WASHER, 1" LOCK
9	2	120242	ADAPTER, 8MJ-8MJ-8MJ
12	2	120288	ADAPTER, 8MJ-8MB90
13	3	120319	ADAPTER, 6MJ-6MB
14	2	120601	ADAPTER, 8MB-8FIX
16	2	122038	Adapter, 6mb-6mb
17	2	122040	Adapter, Velocity 10gpm, 6mj-6fb
18	2	202022	SPRING, 1" O.D. X 12" L X .105 WIRE
19	2	215430	Weldment, Keeper 1" Nut
22	1	223093	Valve, Counter Balance, Cross Pilot
23	2	223094	Cylinder, Lift, 4.0 X 15.31
24.6	4	220681	HOSE ASSY, FLATBED DUAL LIFT
24.9	2	220853	HOSE ASSY, FLATBED SQUEEZE SHORT
25	1	223026	Cylinder, Sync 2 X 39.25
27	2	260111	MOUNT, HOSE SPRING
29	2	260760	Bolt, 1-8 x 10, Greasable
30	2	510174	GREASE ZERK, 1/4-28 ST
34	1	120484	ADAPTER, 6MJ-6MB-LONG



XRT SQUEEZE CYLINDER



XRT LIFT CYLINDER VALVE



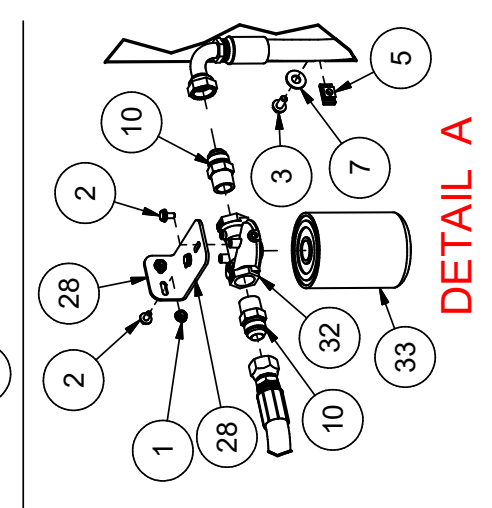
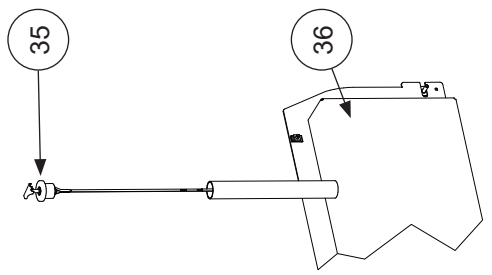
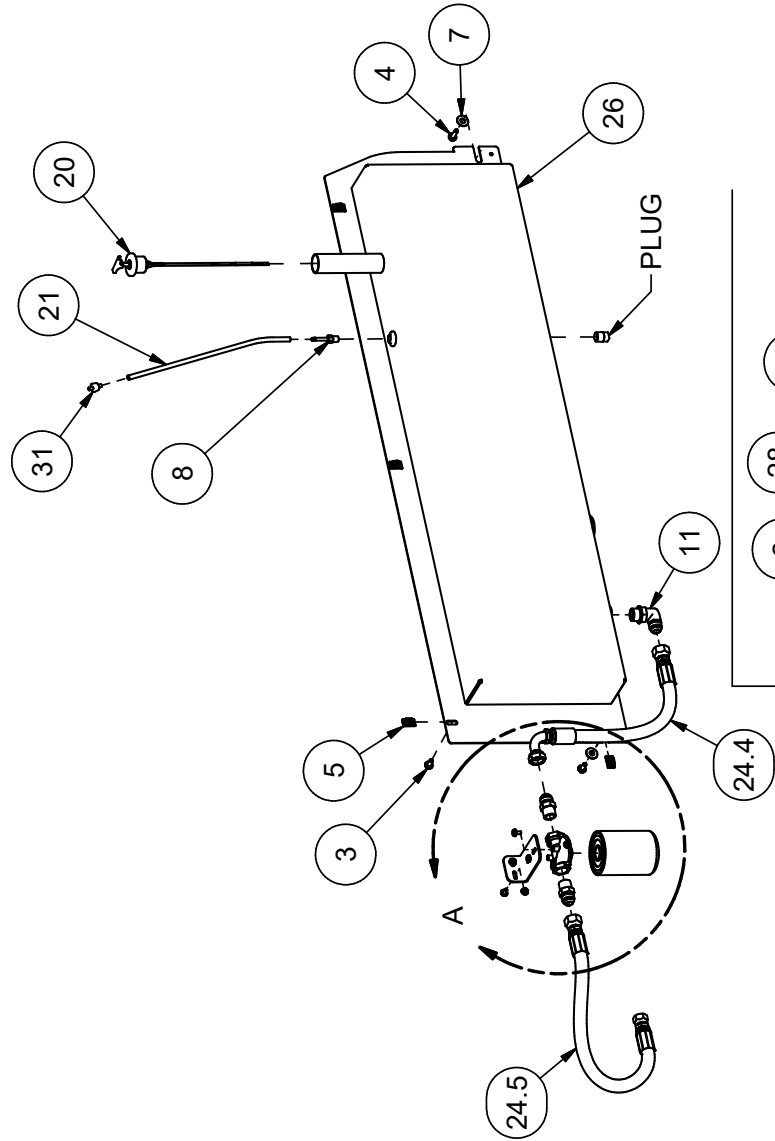
205404 REV. C

XRT RESERVOIR ASSEMBLY

Parts List

ITEM	QTY	PART #	DESCRIPTION
1	2	110290	NUT, 1/4-20 WIZ FLANGE
2	4	110434	BOLT, 1/4-20 X 0.5, WIZ FLANGE
3	4	110444	BOLT, 5/16-18 X 0.75, WIZ FLANGE
4	1	110459	BOLT, 5/16-18 X 1, WIZ FLANGE
5	4	110616	NUT, 5/16", J-TYPE, CAGE, .5C
7	2	110676	WASHER, 3/8" FLAT STANDARD
8	1	120237	ADAPTER, 4BH-4MP
10	2	120244	ADAPTER, 12MJ-12MP
11	1	120257	ADAPTER, 12MJ-12MB90
20	1	220566	Dipstick Cap, Reservoir Flatbed
21	1	220587	VENT HOSE
24.4	1	220700	FILTER TO RESERVOIR HOSE
24.5	1	220723	HOSE, VALVE TO FILTER
26	1	225012	Reservoir, Flatbed, Remote Filter
28	1	260265	MOUNTING BRACKET, FILTER
31	1	540031	FUEL FILTER
32	1	720041	FILTER HEAD
33	1	720043	FILTER, 10 MICRON

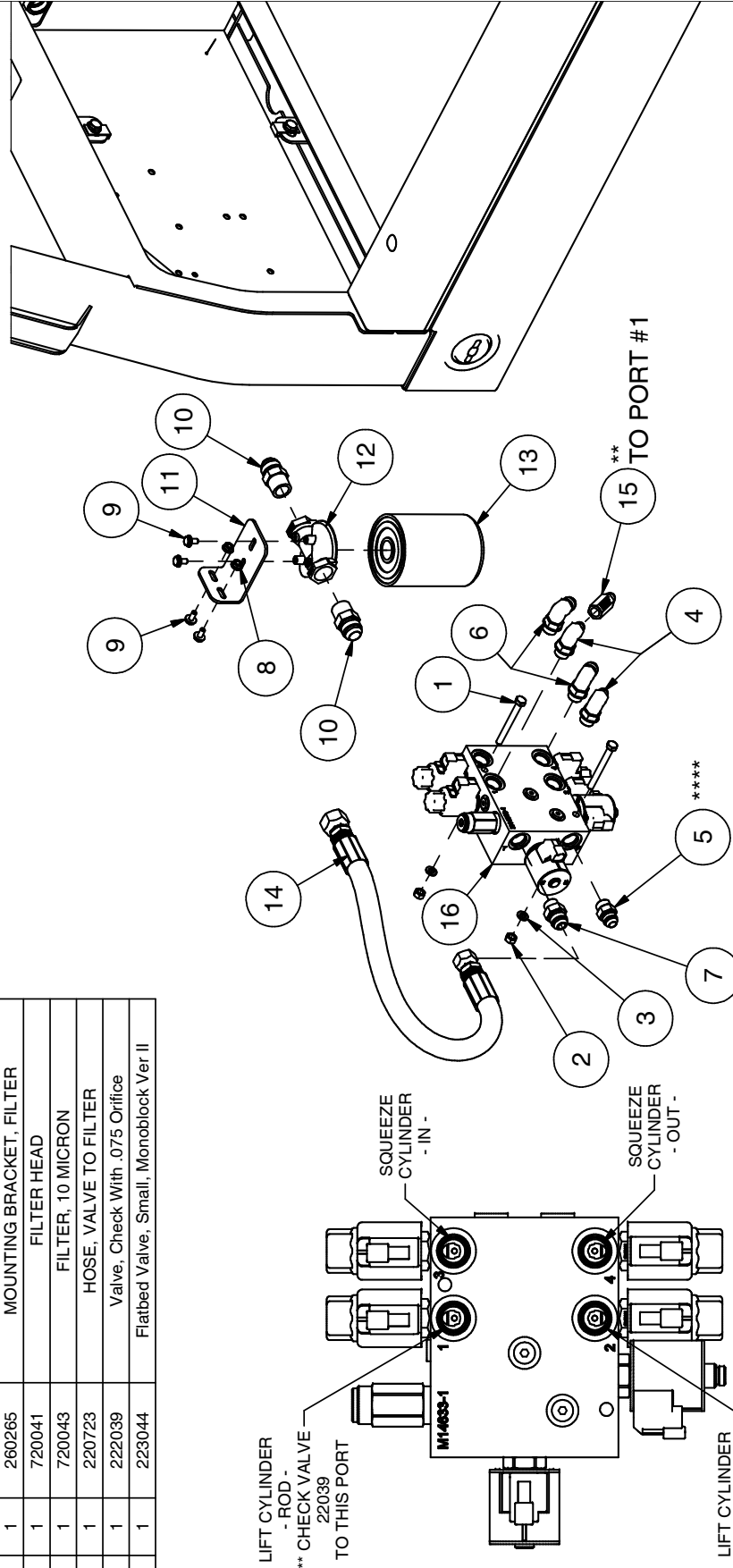
ITEM	QTY	PART #	DESCRIPTION
			Medium Tall XRT 205416 Rev B
35	1	220803	Dipstick Cap, Medium Tall
36	1	225033	Reservoir, Extended Filler, Remote Filter



DETAIL A

Valve & Filter Gen 3 Double Poppet

Parts List		
ITEM	QTY	PART # DESCRIPTION
1	2	110538 BOLT, 5/16-18 X 3.0
2	2	110608 NUT, 5/16-18
3	2	110674 WASHER, 5/16" LOCK
4	2	120134 ADAPTER, 6MJ-8MB90
5	1	120277 ADAPTER, 8MJ-8MB
6	2	120288 ADAPTER, 8MJ-8MB90
7	1	120493 ADAPTER, 10MJ-8MB
8	2	110290 NUT, 1/4-20 WIZ FLANGE
9	4	110434 BOLT, 1/4-20 X 0.5, WIZ FLANGE
10	2	120244 ADAPTER, 12MJ-12MP
11	1	260265 MOUNTING BRACKET, FILTER
12	1	720041 FILTER HEAD
13	1	720043 FILTER, 10 MICRON
14	1	220723 HOSE, VALVE TO FILTER
15	1	222039 Valve, Check With .075 Orifice
16	1	223044 Flatbed Valve, Small, Monoblock Ver II

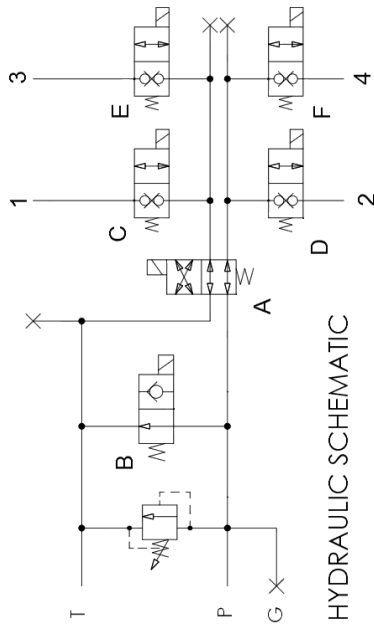
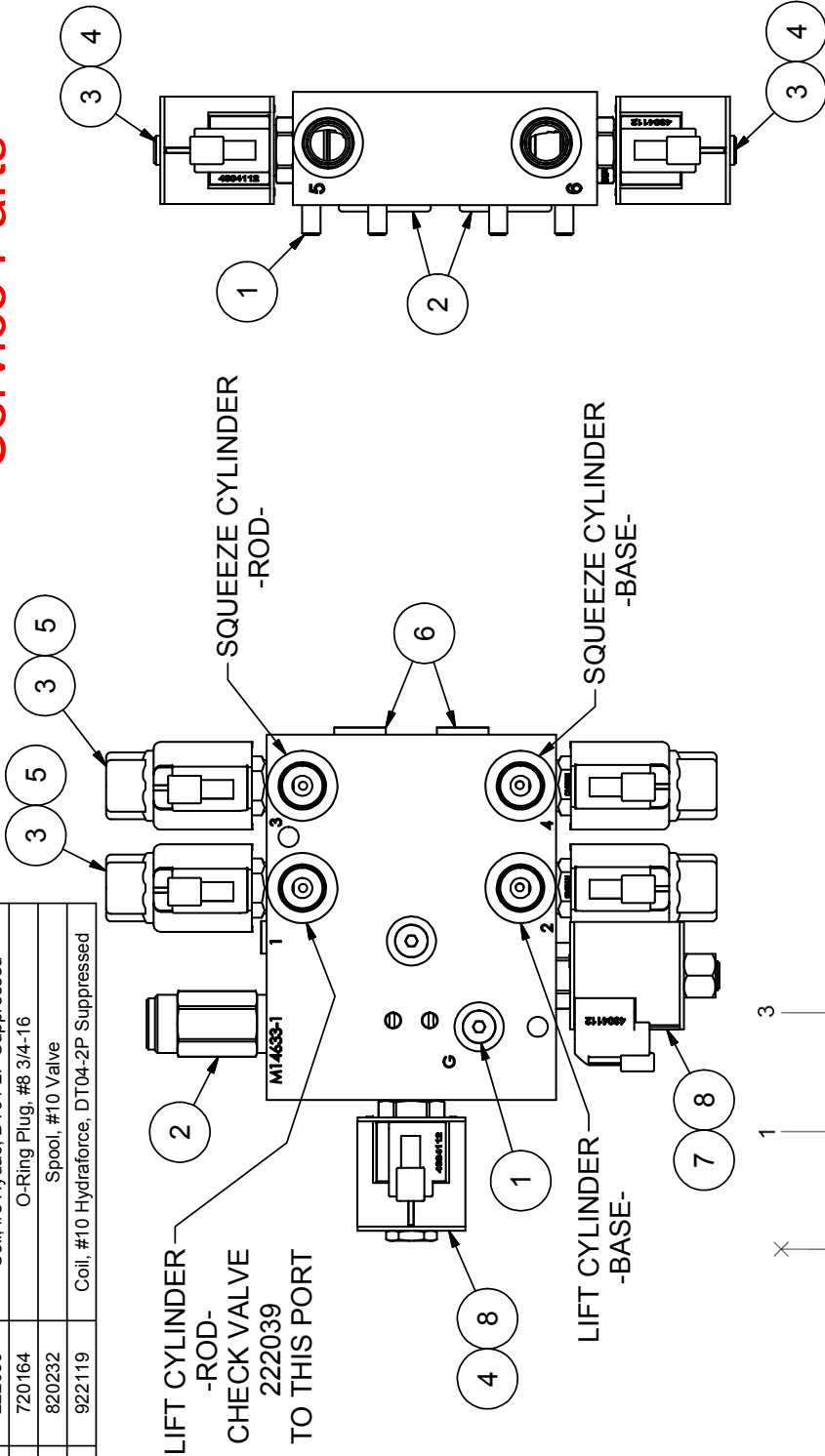


Also As Required
 120368 -- Adapter 8mj-8fjx90
 120267 -- Adapter 12mj-12fjx90

12 & 17 Gallon System
 120250 -- Adapter 12MJ-8MB

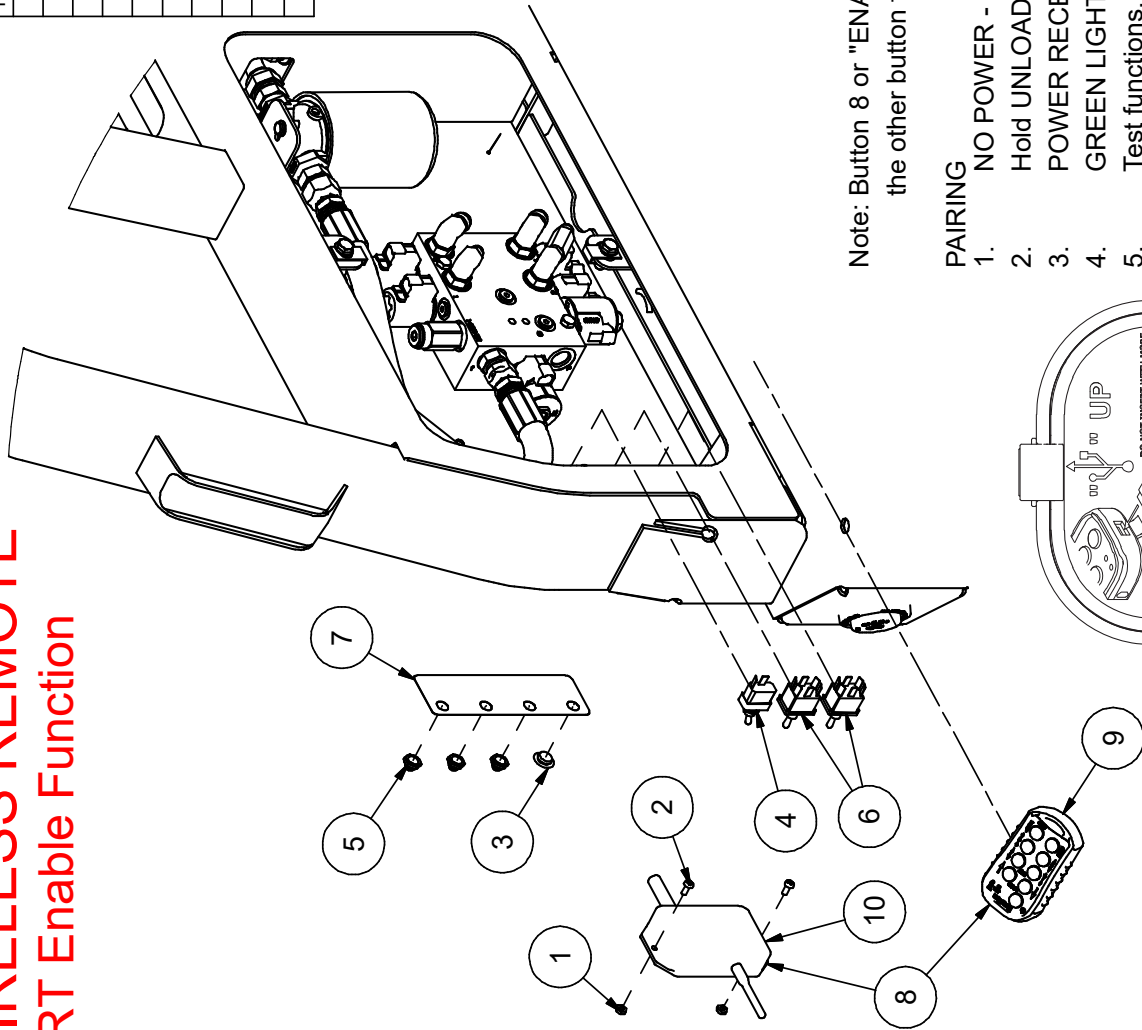
**Flatbed Valve
-08 Hydac Deutsch
Service Parts**

Flatbed Valve, Small, Hydac Deutsch P/N 223044			
ITEM	QTY	PART #	DESCRIPTION
1	3	120062	O-Ring Plug, #4 7/16-20
2	1	222004	Valve, Pressure Relief
3	4	222010	Cartridge, #8 HYDAC Double Poppet
4	1	222045	#10 SOLENOID, 2 POSITION 4 WAY
5	4	222059	Coil, #8 Hydac, DT04-2P Suppressed
6	2	720164	O-Ring Plug, #8 3/4-16
7	1	820232	Spool, #10 Valve
8	2	922119	Coil, #10 Hydratorce, DT04-2P Suppressed



Valve, 3rd Bank add on P/N 223045			
ITEM	QTY	PART #	DESCRIPTION
1	4	110168	BOLT, 5/16-18 X 2.0 SHCS
2	2	120376	O-RING, -219, 90 DURO
3	2	222003	Valve, Poppet N.C. SOL VALVE
4	2	922119	Coil, #10 Hydratorce, DT04-2P Suppressed

WIRELESS REMOTE RT Enable Function



Parts List

ITEM	QTY	PART #	DESCRIPTION
1	3	110119	NUT, 10-24 LOCK
2	3	110264	BOLT, 10-24 X .5 STAINLESS, PHILLIPS
3	2	110753	PLUG, 1/2" BUTTON PLASTIC
4	1	132027	Switch, Spst, Toggle .250 Tab
5	3	132035	SWITCH BOOT
6	2	132127	Switch, Toggle, DPDT, (On)-OFF-(ON)
7	1	202003	DECAL, SWITCH IDENTIFICATION
8	1	233012	Transmitter & Receiver, Macro, Kar-Tech
9		233011	Transmitter, Kar-Tech
10		232197	Receiver, W/Enable Function
Not Shown			
		232182	Harness, Reel Transport, 2 Bank
		232183	Harness, Reel Transport, 3rd Bank
		232245	Charging Cable, USB 2.0 A to Micro B, 3'

Part # 132134



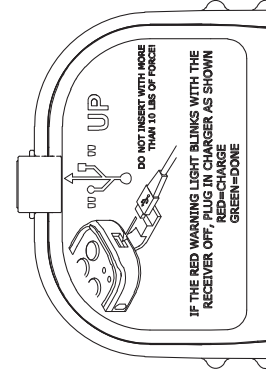
Note: Optional Latching Switch On-Off-On is Available

Note: Button 8 or "ENABLE" has to be pressed before the other button functions work.

PAIRING

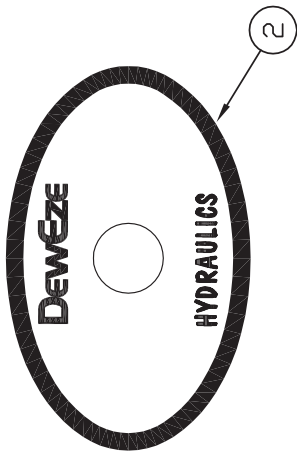
1. NO POWER - Receiver or Transmitter
2. Hold UNLOAD & ENABLE then PWR - RED & GREEN should blink.
3. POWER RECEIVER immediately (only 8 seconds or may time out)
4. GREEN LIGHT on transmitter should blink. MAY TAKE A FEW TRIES.
5. Test functions.

Note: RED KAR-TECH remotes will work with this system as long as the XRT program is set. Refer to the Programming Guide.

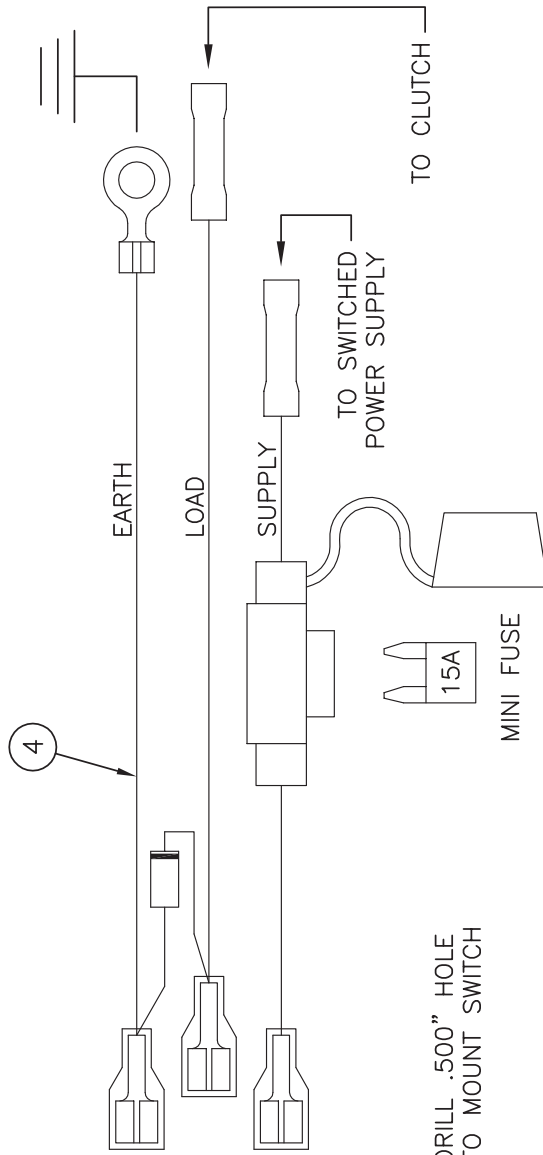
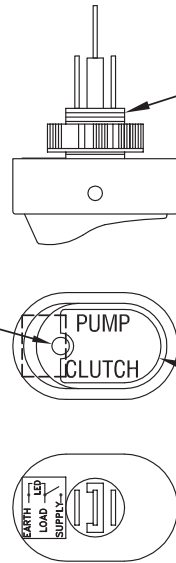


USB RECHARGEABLE

ITEM	QUAN	PART #	NAME
1	1	132044	SWITCH, SPST ROCKER LED
2	1	702002	DECAL, DEWEZE HYDRAULICS
3	1	702061	DECAL, PUMP CLUTCH
4	1	732002	HARNESS, CLUTCH CONTROL



DECAL ORIENTED TO LED
ON SWITCH AS SHOWN

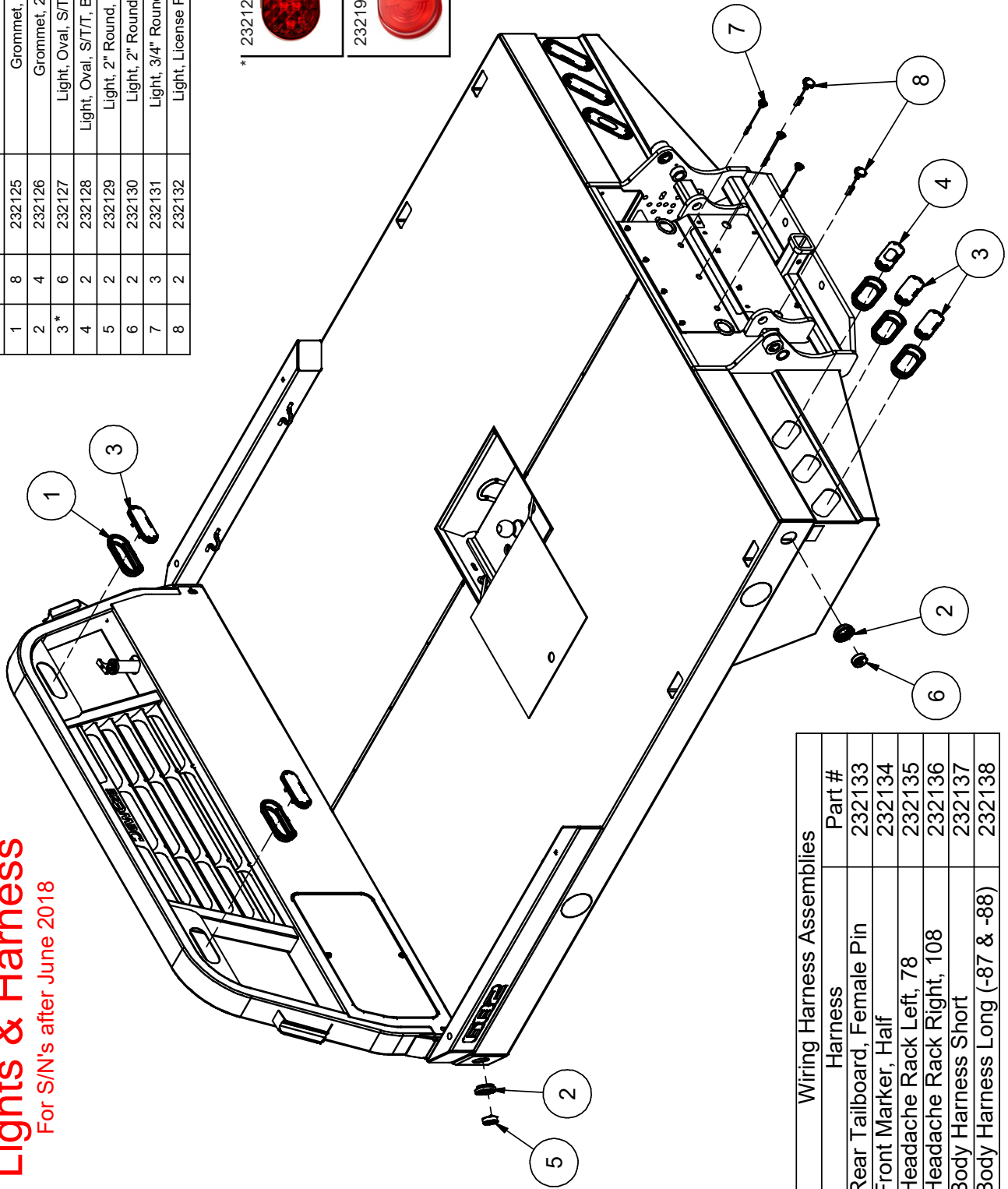


SWITCH, CLUTCH CONTROL ASSY 735001

Lights & Harness
For S/N's after June 2018

Parts List

ITEM	QTY	PART #	DESCRIPTION
1	8	232125	Grommet, 6" Oval, Grote
2	4	232126	Grommet, 2" Round, Grote
3*	6	232127	Light, Oval, S/T/T, Male Pin, Grote
4	2	232128	Light, Oval, S/T/T, BackUp, Male Pin, Grote
5	2	232129	Light, 2" Round, Amber, Grote 47113
6	2	232130	Light, 2" Round, Red, Grote 47112
7	3	232131	Light, 3/4" Round, Red, Grote 49332
8	2	232132	Light, License Plate, w/Plug, Grote



Wiring Harness Assemblies	
Harness	Part #
Rear Tailboard, Female Pin	232133
Front Marker, Half	232134
Headache Rack Left, 78	232135
Headache Rack Right, 108	232136
Body Harness Short	232137
Body Harness Long (-87 & -88)	232138

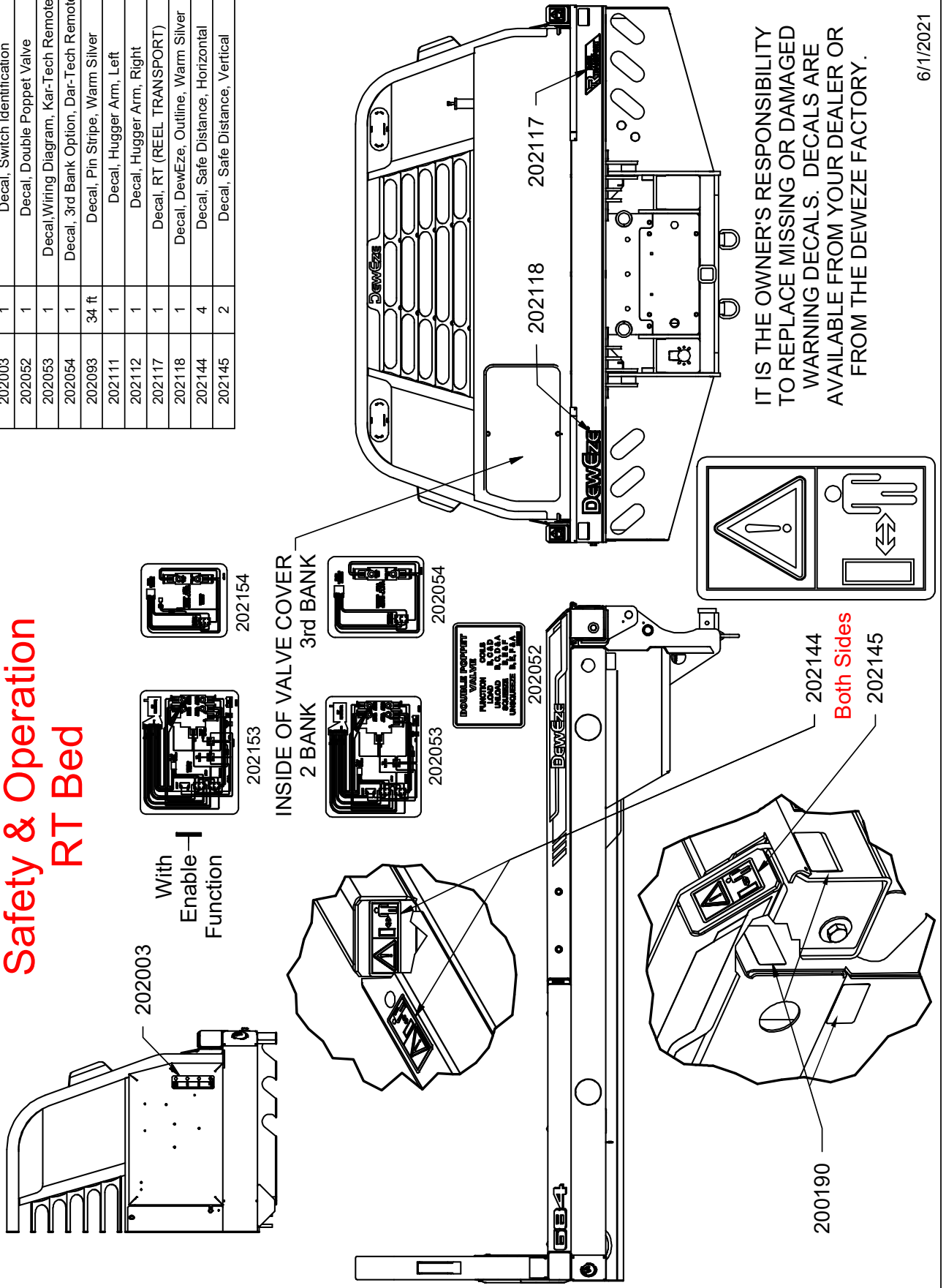
HARNES ADAPTERS: OEM TO DEWEZE

ITEM		DESCRIPTION	YEAR
232235	FORD	Harness Adapter Ford BTO	2023 +
232184		Harness Adapter Ford BTO	2020 - 2022
232192		BLIS add on to 232184 (Cut and cap the two red wires from existing splice. Crimp the main red wire into 232192)	-
232119		Harness Adapter Ford BTO	2017 - 2019
232118		Harness Adapter Ford BTO	2011 - 2016
232046		Harness Adapter Ford BTO	2000 - 2010
232047		Harness Adapter Ford CC	2000 - 2024
232237		CHEVY	Harness Adapter Chevy / GMC BTO
232181	Harness Adapter Chevy / GMC BTO		2020 - 2023
232117	Harness Adapter Chevy / GMC CC & BTO		2016 - 2019
232116	Harness Adapter Chevy / GMC CC & BTO		2015
232050	Harness Adapter Chevy / GMC BTO		2002 - 2014
232050	Harness Adapter Chevy / GMC CC		2002 - 2014
232186	Harness Adapter Chevy / GMC CC		2020 - 2023
232194	DODGE		Harness Adapter Dodge / Ram BTO Incandescent
232233		Harness Adapter Dodge / Ram BTO LED Add (x2) to the 232194	2000 - 2023
232059		Harness Adapter Dodge / Ram CC	2007 - 2024
232049		Harness Generic, Flatbed to Blunt Cut	-
232079		LED Load Equalizer (Maxxima)(PL3 Connector)(Yellow Male/Black Female)	-
232143		LED Load Equalizer (Grote Connector) (Round)(Blue Male/Blue Female)	-

Decals Safety & Operation RT Bed

Parts List

PART #	QTY	DESCRIPTION
200190	6	Decal, Red Reflector, Rectangle
202003	1	Decal, Switch Identification
202052	1	Decal, Double Poppet Valve
202053	1	Decal, Wiring Diagram, Kar-Tech Remote
202054	1	Decal, 3rd Bank Option, Dar-Tech Remote
202093	34 ft	Decal, Pin Stripe, Warm Silver
202111	1	Decal, Hugger Arm, Left
202112	1	Decal, Hugger Arm, Right
202117	1	Decal, RT (REEL TRANSPORT)
202118	1	Decal, DewEze, Outline, Warm Silver
202144	4	Decal, Safe Distance, Horizontal
202145	2	Decal, Safe Distance, Vertical

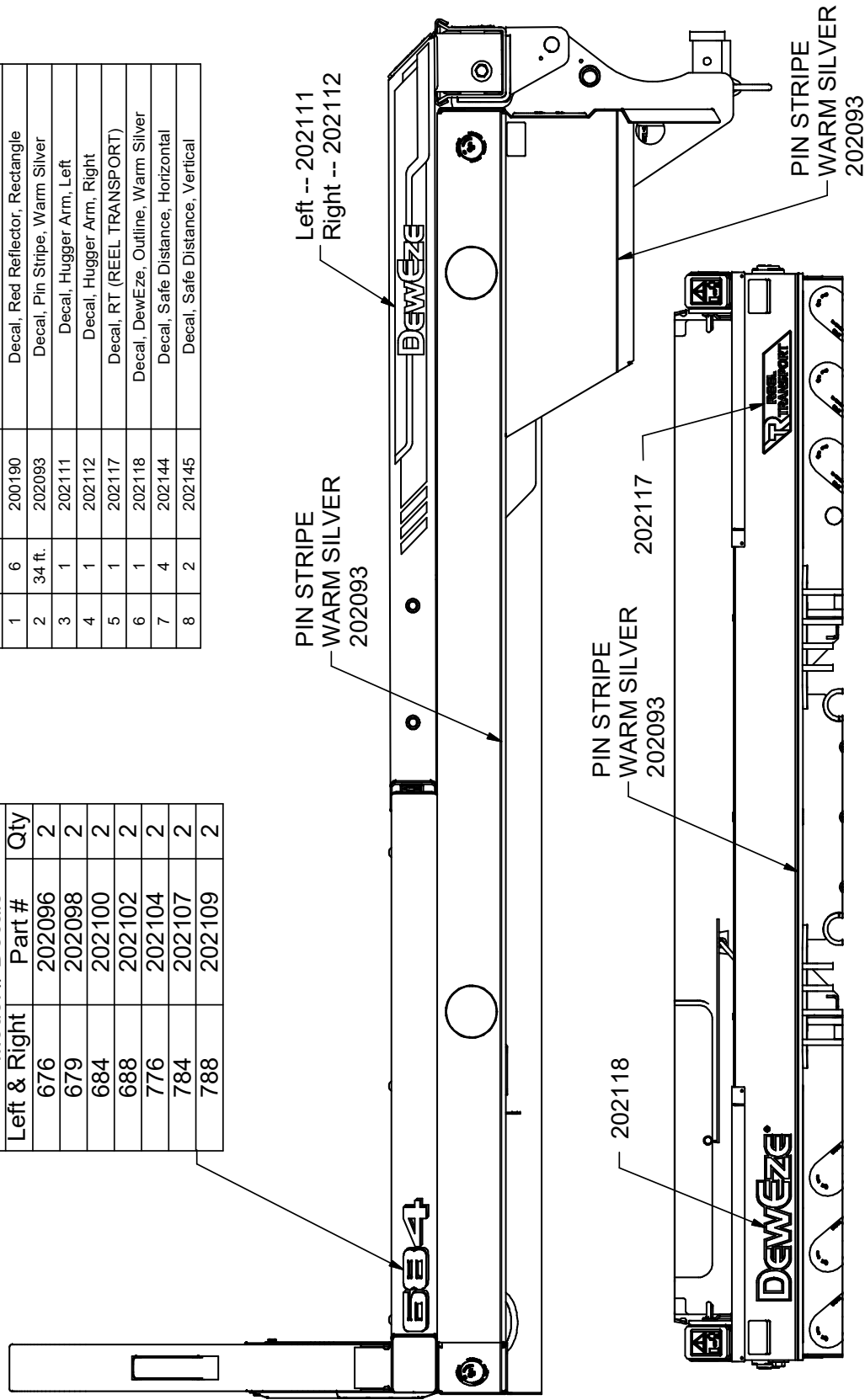


600 & 700 RT Series Decals

* Model # Decals Must be Ordered Separately

Model # Decals		
Left & Right	Part #	Qty
676	202096	2
679	202098	2
684	202100	2
688	202102	2
776	202104	2
784	202107	2
788	202109	2

Decal Kit, 6-700 RT Series Part # 205294		
ITEM	QTY	DESCRIPTION
1	6	Decal, Red Reflector, Rectangle
2	34 ft.	Decal, Pin Stripe, Warm Silver
3	1	Decal, Hugger Arm, Left
4	1	Decal, Hugger Arm, Right
5	1	Decal, RT (REEL TRANSPORT)
6	1	Decal, DewEze, Outline, Warm Silver
7	4	Decal, Safe Distance, Horizontal
8	2	Decal, Safe Distance, Vertical

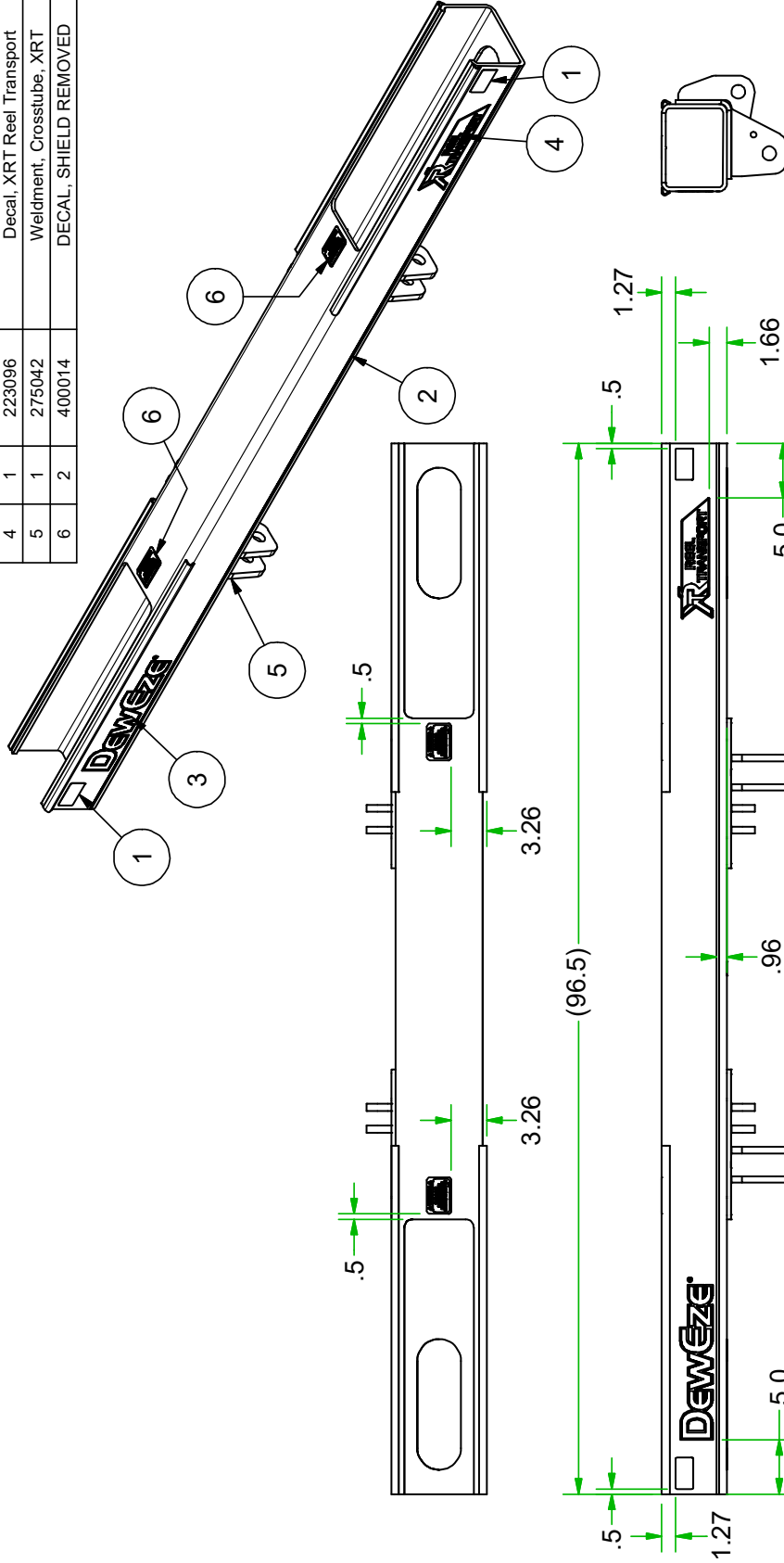


12/7/2021

205405 REV: NC

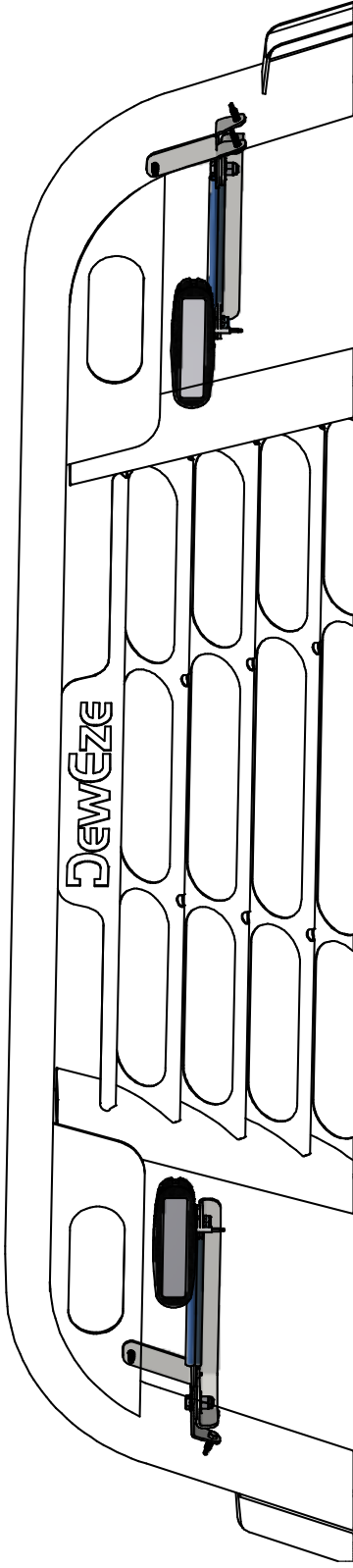
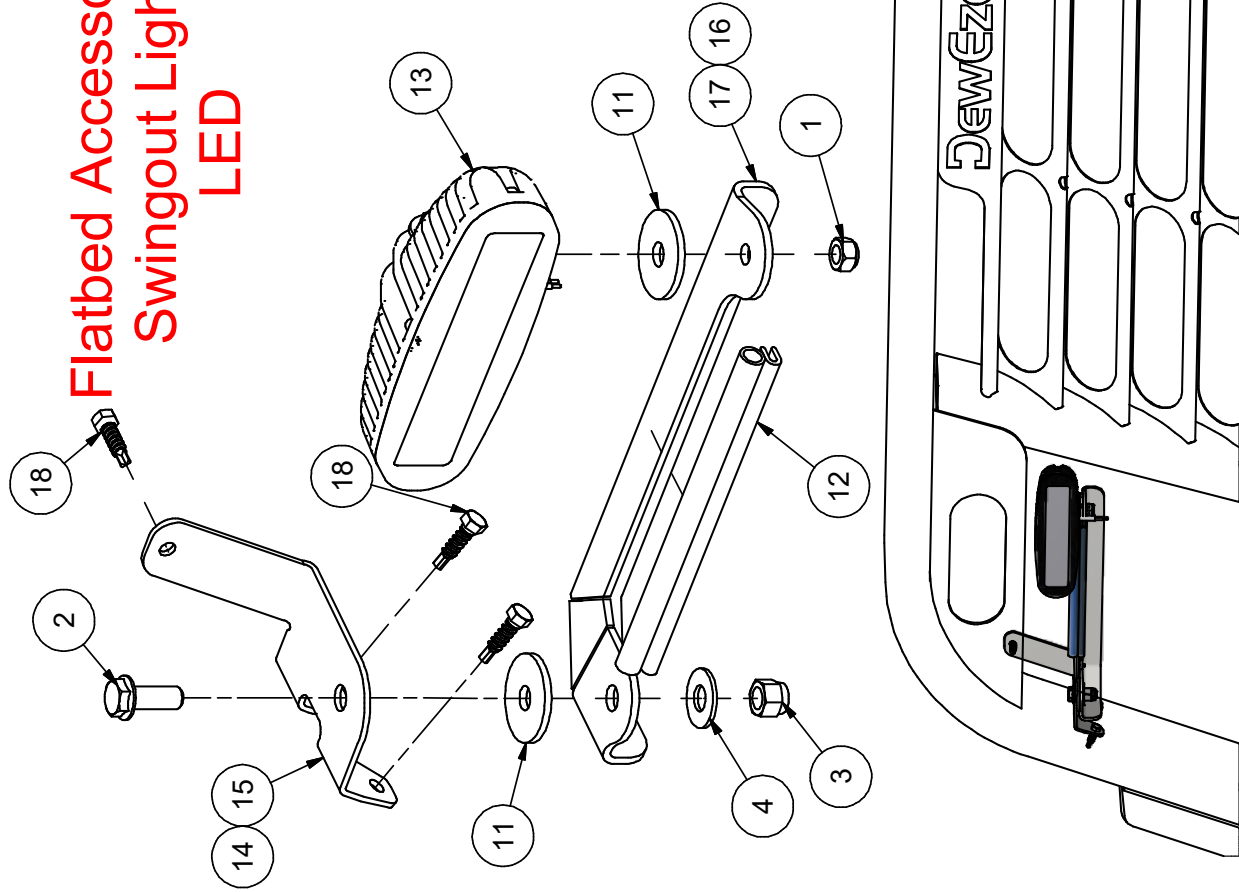
Parts List

ITEM	QTY	PART #	DESCRIPTION
1	2	200190	Decal, Red Reflector, Rectangle
2	8ft	202093	Decal, Pin Stripe, -40 Warm Silver
3	1	202118	Decal, DewEze, Outline, Warm Silver
4	1	223096	Decal, XRT Reel Transport
5	1	275042	Weldment, Crosstube, XRT
6	2	400014	DECAL, SHIELD REMOVED



XRT DECALS

Flatbed Accessories Swingout Lights LED



Swingout Light Kit, Part# 205114

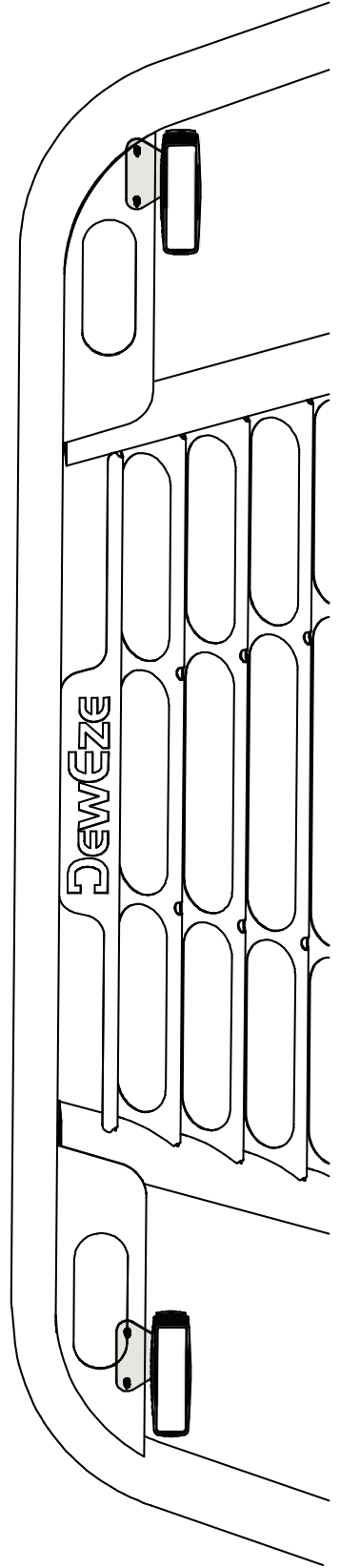
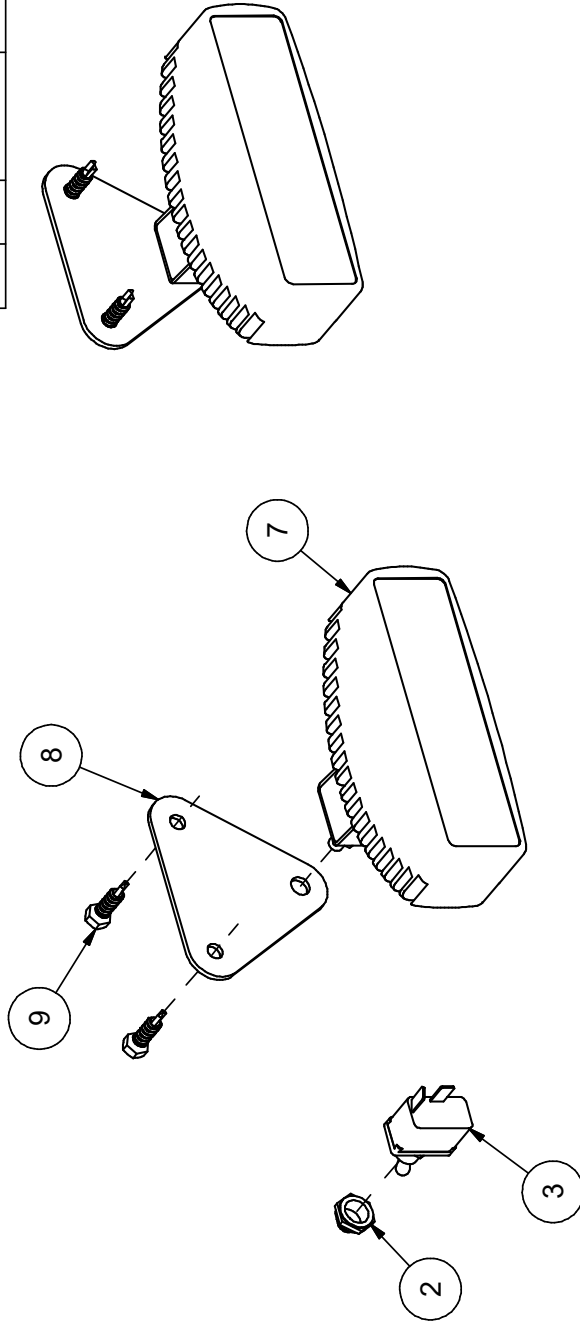
ITEM	QTY	PART #	DESCRIPTION
1	2	110230	NUT, M8 X 1.25, LOCK NYLON
2	2	110440	BOLT, 3/8-16 X 1, WIZ FLANGE
3	2	110618	NUT, 3/8-16 LOCK NYLON INSERT
4	2	110676	WASHER, 3/8" FLAT STANDARD
5	5 ft	130004	Wire, 14ga Black
6	1	132035	SWITCH BOOT
7	1	132135	Switch, Toggle, SPST, On-Off
8	3	132147	Terminal, Butt Connector, 16-14, Heat Shrink
9	2	132148	Terminal, Ring, 16-14, 1/4", Heat Shrink
10	1	132149	Terminal, Multi-Wire Butt Connector, Heat Shrink
11	4	211747	FRICITION WASHER 1.5"
12	2	211749	SWINGLIGHT EDGE TRIM
13	2	232139	Light, LED, 5" Rect, Flood, W/Connector
14	1	260622	Bracket, Swing Light, Base, Right
15	1	260623	Bracket, Swing Light, Base, Left
16	1	260624	Bracket, Swing Light, Arm, Right
17	1	260625	Bracket, Swing Light, Arm, Left
18	6	710586	SCREW, 1/4 X 1 TEK SELF-TAP

10/2/2018

Flatbed Accessories Cargo Lights LED

Cargo Light Kit, Part# 205113

ITEM	QTY	PART #	DESCRIPTION
1	5 ft	130004	Wire, 14ga Black
2	1	132035	SWITCH BOOT
3	1	132135	Switch, Toggle, SPST, On-Off
4	3	132147	Terminal, Butt Connector, 16-14, Heat Shrink
5	2	132148	Terminal, Ring, 16-14, 1/4", Heat Shrink
6	1	132149	Terminal, Multi-Wire Butt Connector, Heat Shrink
7	2	232139	Light, LED, 5" Rect, Flood, W/Connector
8	2	260626	Bracket, Cargo Light
9	4	710586	SCREW, 1/4 X 1 TEK SELF-TAP

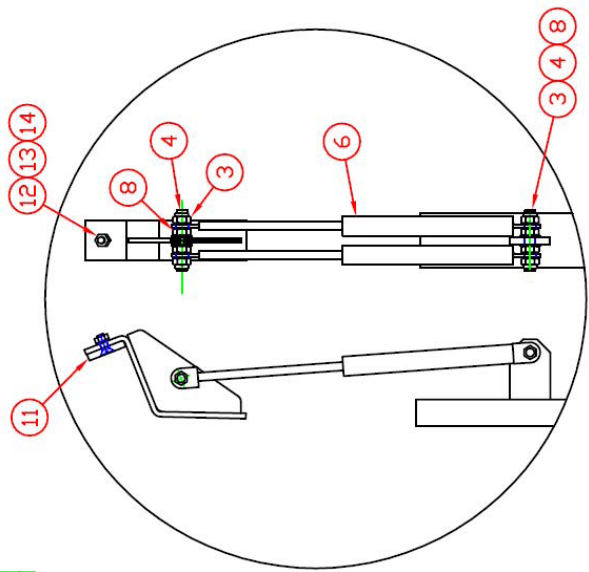
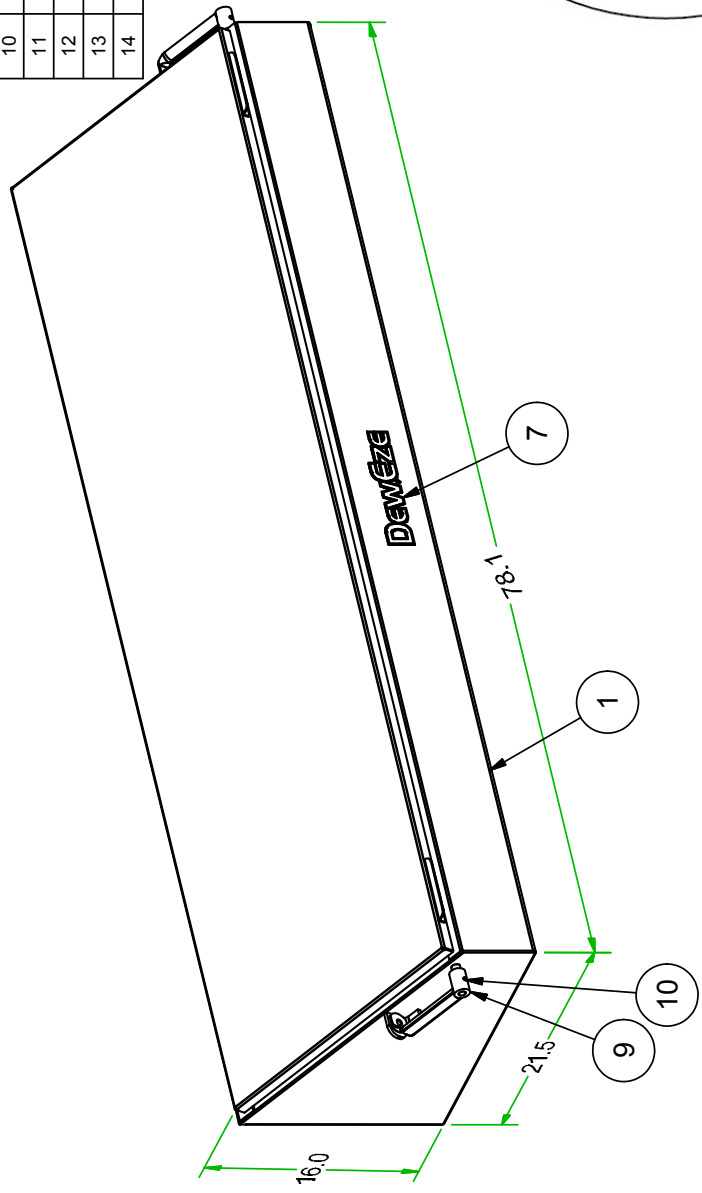


10/2/2018

Flatbed Accessories Across the Bed Toolbox

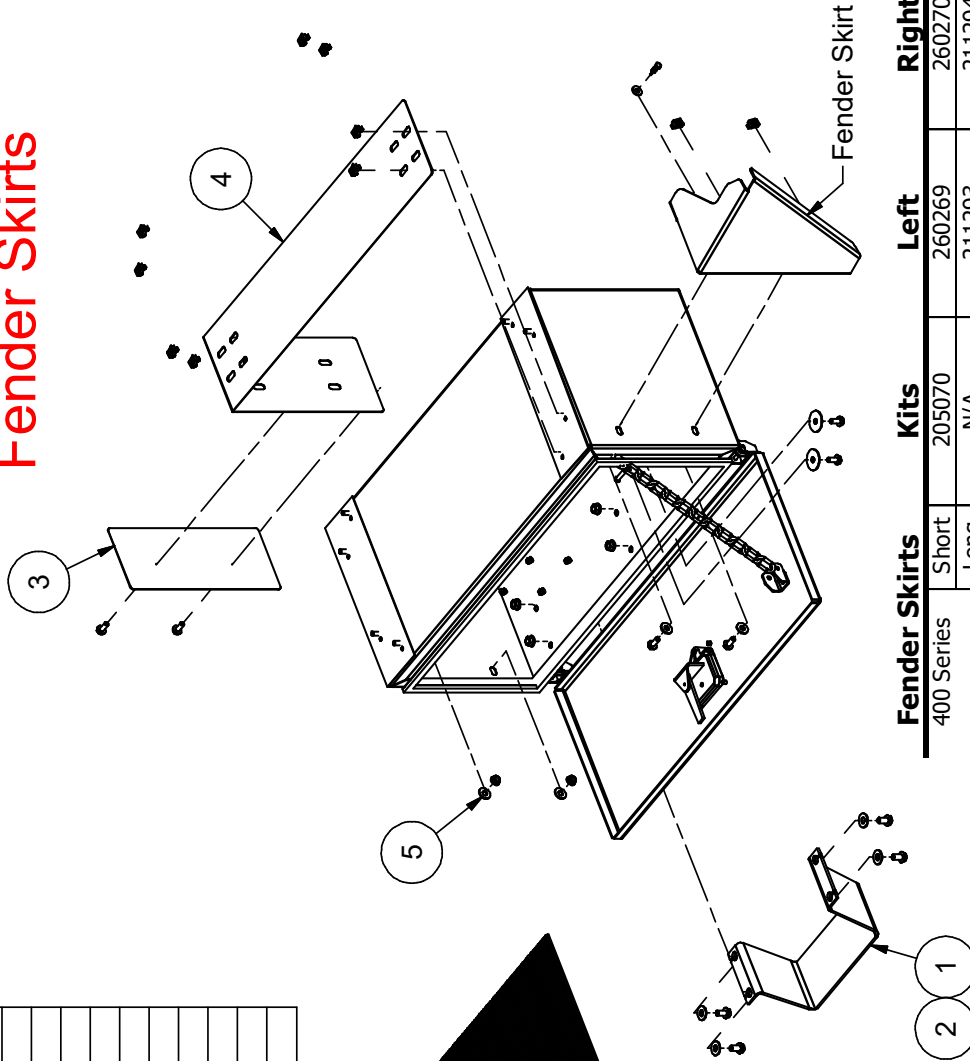
Across the Bed Toolbox, Part# 210915

ITEM	QTY	PART #	DESCRIPTION
1	1	210914	TOOLBOX WELD ASSEMBLY
2	2	211132	BUSHING, .625 X .5 X .062 FNG
3	4	110618	NUT, 3/8-16 LOCK NYLON INSERT
4	1	210908	ALL THREAD
5	2	211134	SPRING/LATCH
6	2	500078	Shock, Gas Filled
7	1	400010	DECAL, DEWEZE BLACK OUTLINE
8	4	110645	NUT, 3/8-16 WIZ FLANGE
9	1	211143	HANDLE WELD ASSY
10	2	110239	SetScrew, 5/16-18 X 0.3125
11	1	211138	WEAR PAD, PLASTIC TOOLBOX
12	1	110238	1/4-20 X .75 FLAT C'SUNK SCREW
13	1	110667	WASHER, 1/4" LOCK
14	1	110609	NUT, 1/4-20



Flatbed Accessories 30" Toolbox Fender Skirts

Toolbox Complete W/Step, Part# 205011			
ITEM	QTY	PART #	DESCRIPTION
1	1	211109	STEP, TOOLBOX
2	.7 ft	100449	Traction Pad
3	1	202001	DECAL, CHIP GUARD
4	1	211684	SHIELD, TOP & SIDE
5	1	205012	BOLT PACKAGE
	10	110258	NUT, 5/16-18, CAGE TINNERMAN
	12	110444	BOLT, 5/16-18 X 0.75, WIZ FLANGE
	4	110437	BOLT, 3/8-16 X 0.75, WIZ FLANGE
	4	110645	NUT, 3/8-16 WIZ FLANGE
	4	110676	WASHER, 3/8" FLAT STANDARD
	2	110606	NUT, 5/16-18 WIZ FLANGE
	4	110665	WASHER, 5/16" FLAT STANDARD
	8	110049	WASHER, 5/16" X 1 1/2 FENDER

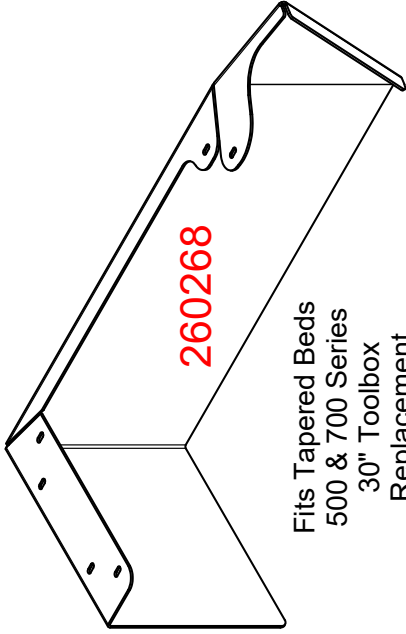


Fender Skirts	Kits	Left	Right
400 Series	Short	260269	260270
	Long	211293	211294
500 Series	Short	260271	260272
	Long	211587	211588
600 Series	Short	260269	260270
	Long	260273	260274
700 Series	Short	260271	260272
	Long	260275	260276

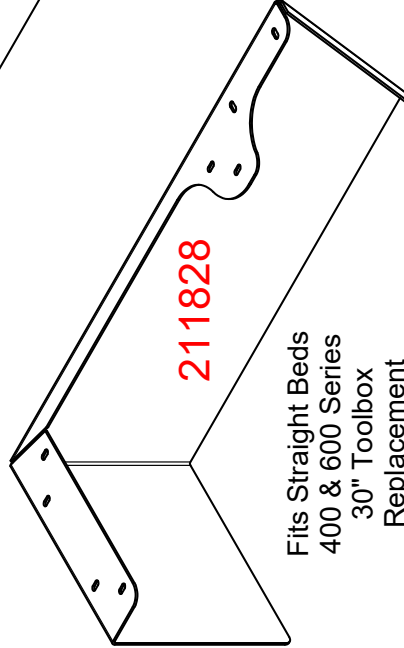
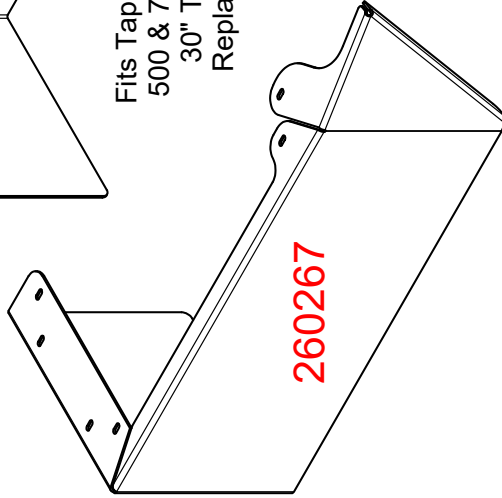
Service Parts for Toolbox		
QTY	PART #	DESCRIPTION
4	110174	NUT, 1/4-20 LOCK 2-WAY
3	112011	PUSH NUT, WASHER CAP STYLE
3	112095	CLEVIS PIN, STD ZP 1/4 X 1 5/8
1	202010	SEAL, TOOLBOX LID (TRIM-LOK X-2897)
1	211119	TOOL BOX MAT
2	212003	Gasket, Toolbox Mount use DK1111 Foam
1	212017	Latch, Toolbox w/Studs, Key & Gasket
1	212015	Gasket, Toolbox Latch
1	212016	Key, Toolbox Latch
1	205014	Door, Toolbox, Service Part

Front Skirt Toolbox Replacement

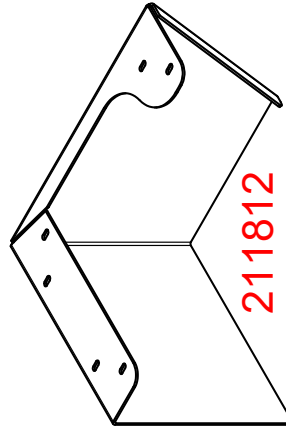
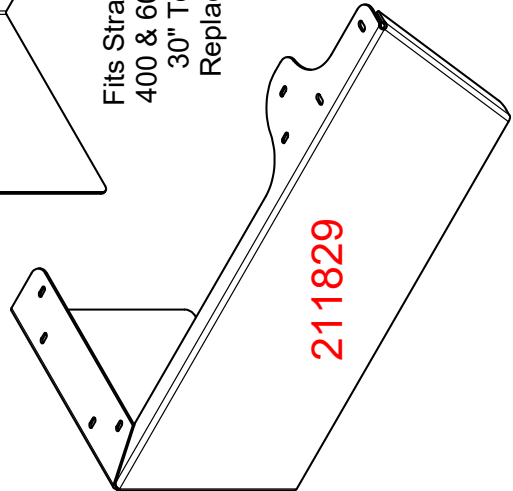

215116
 Bolt Kit
 1ea Required
 Per Fenderskirt



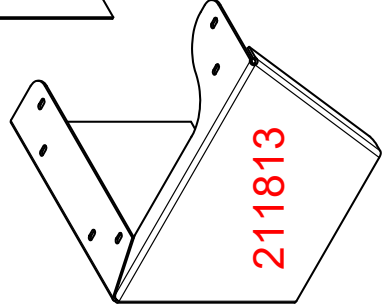
Fits Tapered Beds
 500 & 700 Series
 30" Toolbox
 Replacement



Fits Straight Beds
 400 & 600 Series
 30" Toolbox
 Replacement

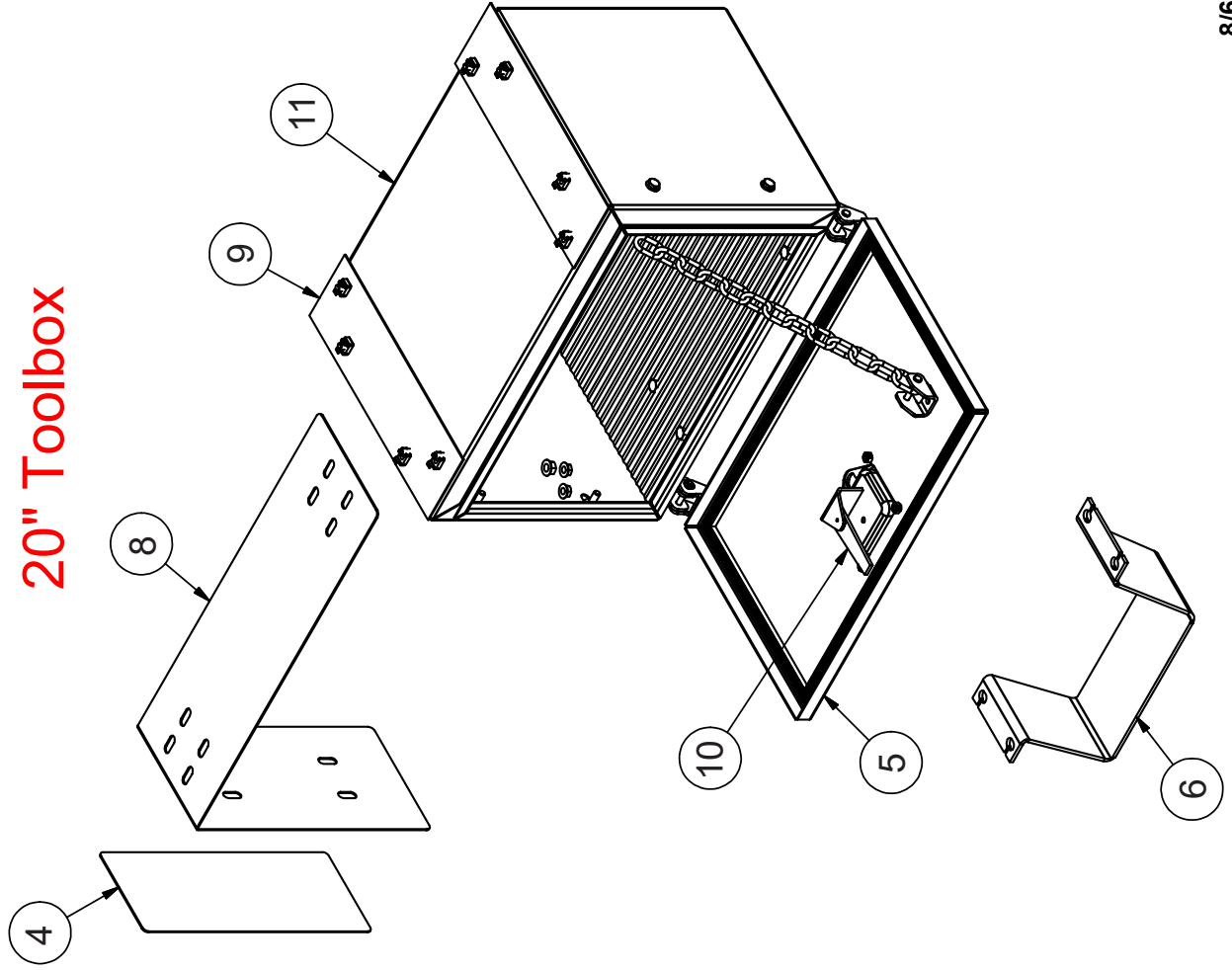


Fits Short Beds
 20" Toolbox
 Replacement

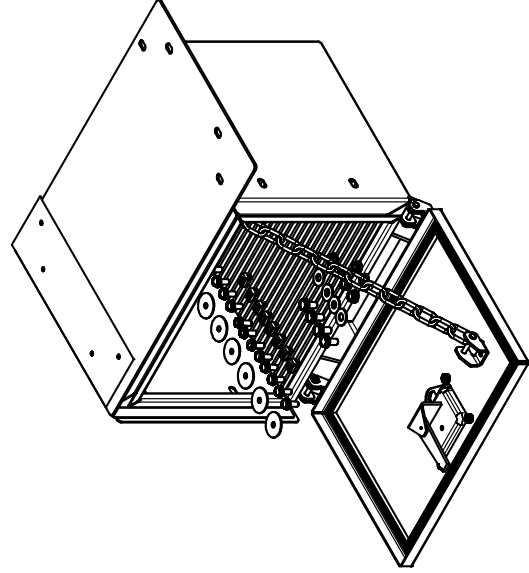
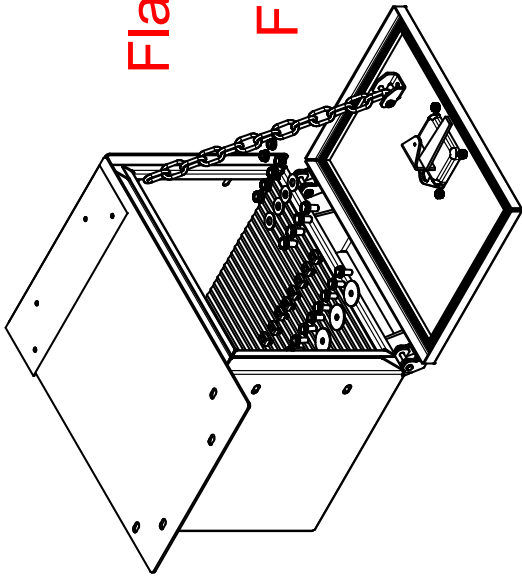


20" TOOLBOX W/STEP 205030	
ITEM	DESCRIPTION
1	100449 Traction Pad
2	4 110174 Nut, 1/4-20 Lock 2-Way
3	1 205012 Bolt Package
3.1	8 110049 Washer, 5/16 X 1.50 Fender
3.2	12 110258 Nut, 5/16-18, Cage Tinnerman
3.3	4 110437 Bolt, 3/8-16 X 0.75, Wiz Flange
3.4	14 110444 Bolt, 5/16-18 X 0.75, Wiz Flange
3.5	2 110606 Nut, 5/16-18 Wiz Flange
3.6	4 110645 Nut, 3/8-16 Wiz Flange
3.7	4 110665 Washer, 5/16" Flat Standard
3.8	4 110676 Washer, 3/8" Flat Standard
4	1 202001 Decal, Chip Guard
5	1 205489 Toolbox Lid 20"
5.1	3 112011 Push Nut, Washer Cap Style
5.2	3 112095 Clevis Pin, Std Zp 1/4 X 1 5/8
5.3	1 202010 Seal, Toolbox Lid (Trim-Lok X-2897)
5.4	1 215133 Toolbox Door & Hinge Weldment 20"
5.5	2 270139 Toolbox Door Hinge, Inner Half
6	1 211109 Step, Toolbox
7	1 211248 Toolbox Mat 20"
8	1 211593 Toolbox Chip Guard 20"
9	2 212003 Gasket, Toolbox Mount
10	1 212017 Latch, Toolbox W/Studs, Key & Gasket
10.1	1 212015 Gasket, Toolbox Latch
11	1 215131 Toolbox & Hinge Weldment 20"

Flatbed Accessories 20" Toolbox



Flatbed Accessories
17" Toolbox
Fits 20" Mounting



Toolbox Complete W/Step, 17" Left (205139)

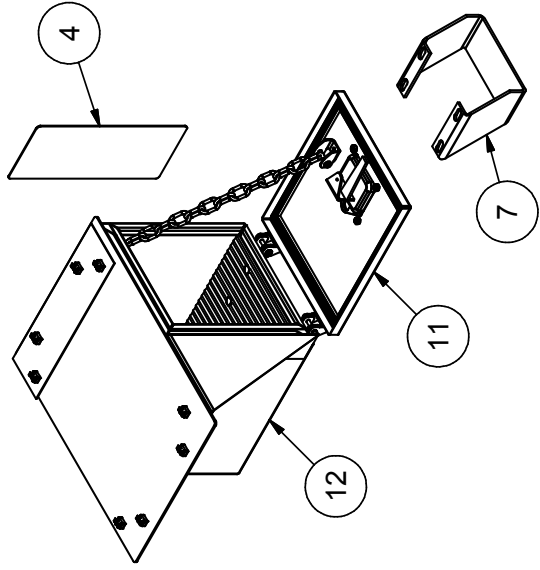
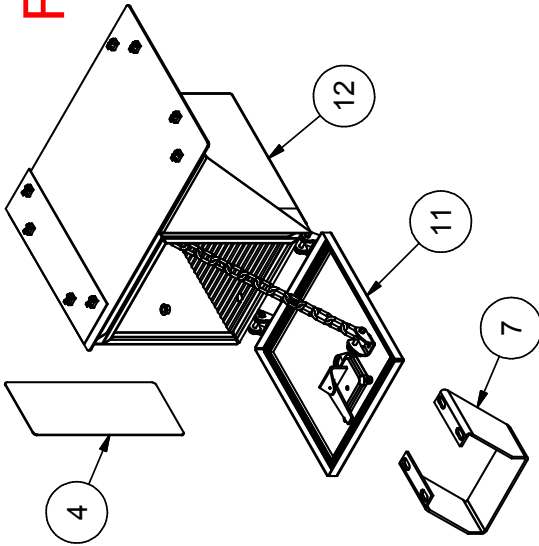
ITEM	QTY	PART #	DESCRIPTION
1	4	110174	NUT, 1/4-20 LOCK 2-WAY
2	3	112011	PUSH NUT, WASHER CAP STYLE
3	3	112095	CLEVIS PIN, STD ZP 1/4 X 1 5/8
4	1	202001	DECAL, CHIP GUARD
5	1	202010	SEAL, TOOLBOX LID (TRIM-LOK X-2897)
6	1	205012	BOLT PACKAGE
8	110049	WASHER, 5/16 X 1.50 FENDER	
12	110258	NUT, 5/16-18, CAGE TINNERMAN	
4	110437	BOLT, 3/8-16 X 0.75, WIZ FLANGE	
14	110444	BOLT, 5/16-18 X 0.75, WIZ FLANGE	
2	110606	NUT, 5/16-18 WIZ FLANGE	
4	110645	NUT, 3/8-16 WIZ FLANGE	
4	110665	WASHER, 5/16" FLAT STANDARD	
4	110676	WASHER, 3/8" FLAT STANDARD	
7	1	211109	STEP, TOOLBOX
	.7 ft	100449	Traction Pad
8	1	212003	GASKET, TOOLBOX MOUNT
9	1	212017	Latch, Toolbox w/Studs, Key & Gasket
	1	212015	Gasket, Toolbox Latch
10	1	215213	WELDMENT, TOOLBOX DOOR & HINGE, 17"
11	1	215393	Weldment, 17" Left, Toolbox & Hinge
12	1	260719	Toolbox Mat, 17"

Toolbox Complete W/Step, 17" Right (205138)

ITEM	QTY	PART #	DESCRIPTION
1	4	110174	NUT, 1/4-20 LOCK 2-WAY
2	3	112011	PUSH NUT, WASHER CAP STYLE
3	3	112095	CLEVIS PIN, STD ZP 1/4 X 1 5/8
4	1	202001	DECAL, CHIP GUARD
5	1	202010	SEAL, TOOLBOX LID (TRIM-LOK X-2897)
6	1	205012	BOLT PACKAGE
8	110049	WASHER, 5/16 X 1.50 FENDER	
12	110258	NUT, 5/16-18, CAGE TINNERMAN	
4	110437	BOLT, 3/8-16 X 0.75, WIZ FLANGE	
14	110444	BOLT, 5/16-18 X 0.75, WIZ FLANGE	
2	110606	NUT, 5/16-18 WIZ FLANGE	
4	110645	NUT, 3/8-16 WIZ FLANGE	
4	110665	WASHER, 5/16" FLAT STANDARD	
4	110676	WASHER, 3/8" FLAT STANDARD	
7	1	211109	STEP, TOOLBOX
	.7 ft	100449	Traction Pad
8	1	212003	GASKET, TOOLBOX MOUNT
9	1	212017	Latch, Toolbox w/Studs, Key & Gasket
	1	212015	Gasket, Toolbox Latch
10	1	215213	WELDMENT, TOOLBOX DOOR & HINGE, 17"
11	1	215394	Weldment, 17" Right, Toolbox & Hinge
12	1	260719	Toolbox Mat, 17"

11/7/2017

Flatbed Accessories
12" Toolbox
Fits 20" Mounting



11/7/2017

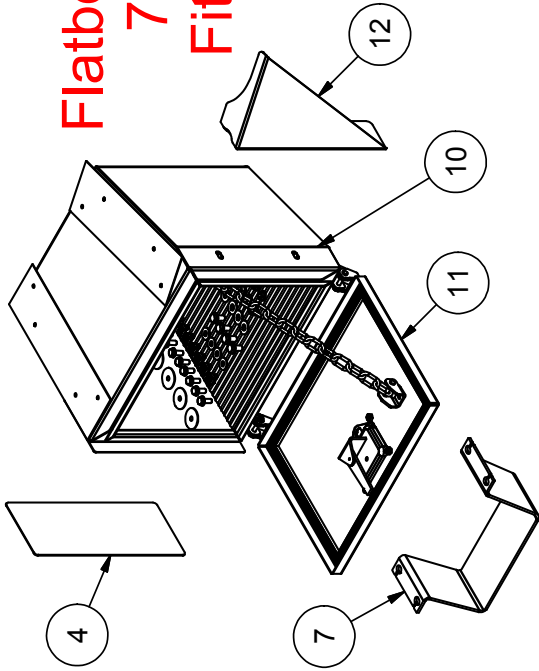
Toolbox Complete W/Step, 12" Right (205032)

ITEM	QTY	PART #	DESCRIPTION
1	4	110174	NUT, 1/4-20 LOCK 2-WAY
2	3	112011	PUSH NUT, WASHER CAP STYLE
3	3	112095	CLEVIS PIN, STD ZP 1/4 X 1 5/8
4	1	202001	DECAL, CHIP GUARD
5	1	202010	SEAL, TOOLBOX LID (TRIM-LOK X-2897)
6	1	205012	BOLT PACKAGE
8	8	110049	WASHER, 5/16 X 1.50 FENDER
12	12	110258	NUT, 5/16-18, CAGE TINNERMAN
4	4	110437	BOLT, 3/8-16 X 0.75, WIZ FLANGE
14	14	110444	BOLT, 5/16-18 X 0.75, WIZ FLANGE
2	2	110606	NUT, 5/16-18 WIZ FLANGE
4	4	110645	NUT, 3/8-16 WIZ FLANGE
4	4	110665	WASHER, 5/16" FLAT STANDARD
4	4	110676	WASHER, 3/8" FLAT STANDARD
7	1	210697	STEP TOOL BOX
	.5 ft	100449	Traction Pad
8	1	211871	TOOLBOX MAT 12"
9	1	212003	GASKET, TOOLBOX MOUNT
10	1	212017	Latch, Toolbox w/Studs, Key & Gasket
	1	212015	Gasket, Toolbox Latch
11	1	215136	TOOLBOX DOOR & HINGE WELDMENT 12"
12	1	215152	WELDMENT, TOOLBOX 12" W/SKIRT, RIGHT

Toolbox Complete W/Step, 12" Left (205033)

ITEM	QTY	PART #	DESCRIPTION
1	4	110174	NUT, 1/4-20 LOCK 2-WAY
2	3	112011	PUSH NUT, WASHER CAP STYLE
3	3	112095	CLEVIS PIN, STD ZP 1/4 X 1 5/8
4	1	202001	DECAL, CHIP GUARD
5	1	202010	SEAL, TOOLBOX LID (TRIM-LOK X-2897)
6	1	205012	BOLT PACKAGE
8	8	110049	WASHER, 5/16 X 1.50 FENDER
12	12	110258	NUT, 5/16-18, CAGE TINNERMAN
4	4	110437	BOLT, 3/8-16 X 0.75, WIZ FLANGE
14	14	110444	BOLT, 5/16-18 X 0.75, WIZ FLANGE
2	2	110606	NUT, 5/16-18 WIZ FLANGE
4	4	110645	NUT, 3/8-16 WIZ FLANGE
4	4	110665	WASHER, 5/16" FLAT STANDARD
4	4	110676	WASHER, 3/8" FLAT STANDARD
7	1	210697	STEP TOOL BOX
	.5 ft	100449	Traction Pad
8	1	211871	TOOLBOX MAT 12"
9	1	212003	GASKET, TOOLBOX MOUNT
10	1	212017	Latch, Toolbox w/Studs, Key & Gasket
	1	212015	Gasket, Toolbox Latch
11	1	215136	TOOLBOX DOOR & HINGE WELDMENT 12"
12	1	215151	WELDMENT, TOOLBOX 12" W/SKIRT, LEFT

**Flatbed Accessories
770 Toolbox
Fits "770" only**

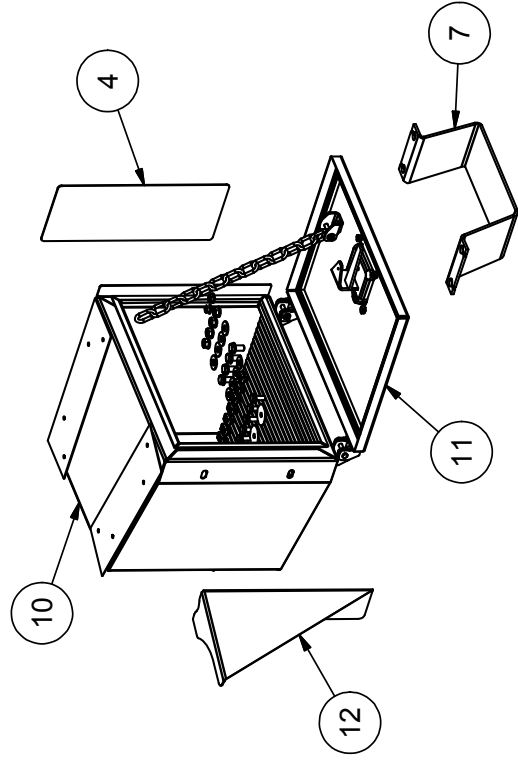


Toolbox Complete W/Step, 770 Right (205044)

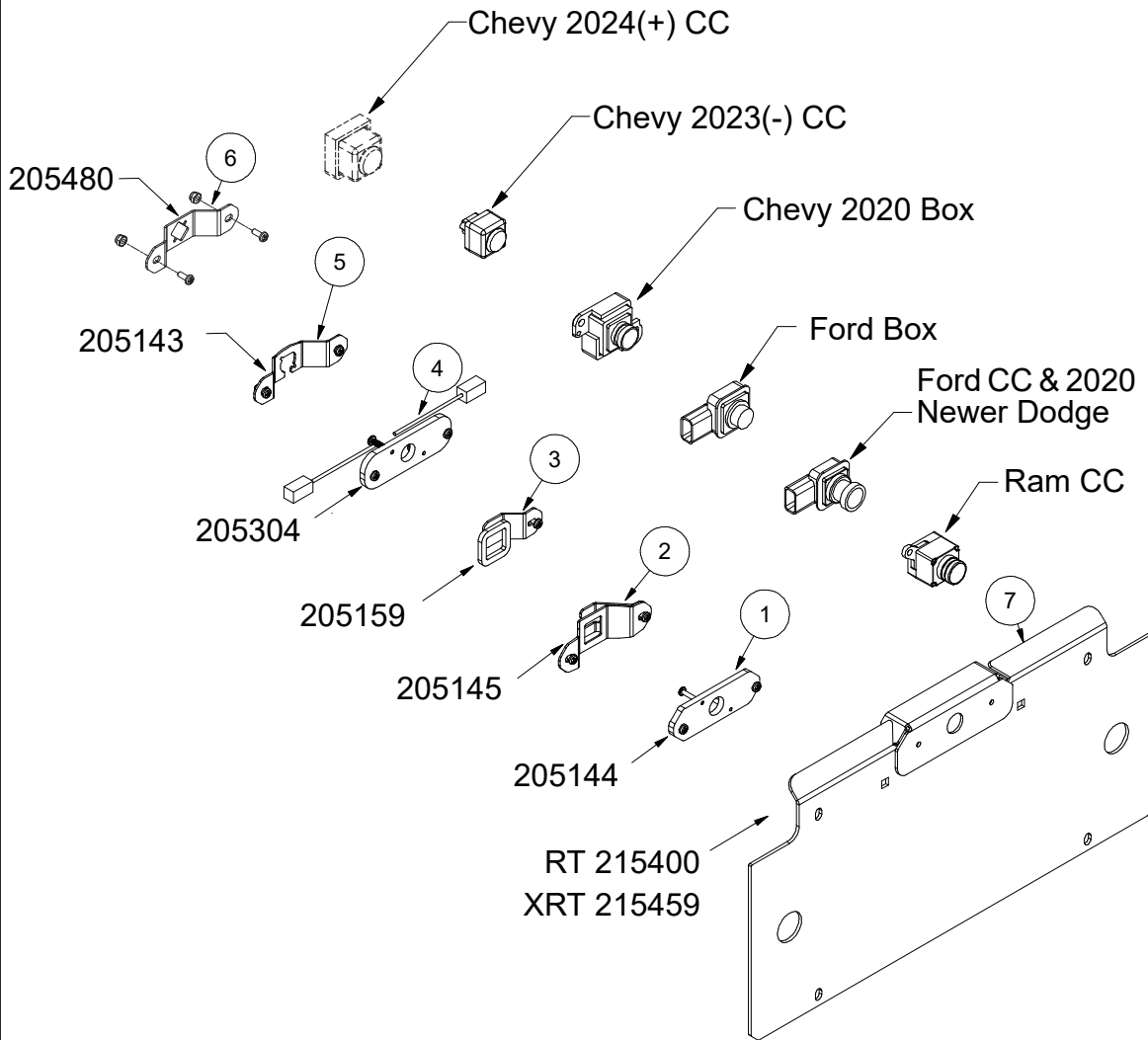
ITEM	QTY	PART #	DESCRIPTION
1	4	110174	NUT, 1/4-20 LOCK 2-WAY
2	3	112011	PUSH NUT, WASHER CAP STYLE
3	3	112095	CLEVIS PIN, STD ZP 1/4 X 1 5/8
4	1	202001	DECAL, CHIP GUARD
5	1	202010	SEAL, TOOLBOX LID (TRIM-LOK X-2897)
6	1	205012	BOLT PACKAGE
8	110049		WASHER, 5/16 X 1.50 FENDER
12	110258		NUT, 5/16-18, CAGE TINNERMAN
4	110437		BOLT, 3/8-16 X 0.75, WIZ FLANGE
14	110444		BOLT, 5/16-18 X 0.75, WIZ FLANGE
2	110606		NUT, 5/16-18 WIZ FLANGE
4	110645		NUT, 3/8-16 WIZ FLANGE
4	110665		WASHER, 5/16" FLAT STANDARD
4	110676		WASHER, 3/8" FLAT STANDARD
7	1	211109	STEP, TOOLBOX
	.7 ft	100449	Traction Pad
8	2	212003	GASKET, TOOLBOX MOUNT
9	1	212017	Latch, Toolbox w/Studs, Key & Gasket
	1	212015	Gasket, Toolbox Latch
10	1	215212	WELDMENT, TOOLBOX & HINGE, 770 RIGHT
11	1	215213	WELDMENT, TOOLBOX DOOR & HINGE, 17"
12	1	260204	TOOLBOX SKIRT, 770, RIGHT
13	1	260206	TOOLBOX MAT 770, RIGHT

Toolbox Complete W/Step, 770 Left (205045)

ITEM	QTY	PART #	DESCRIPTION
1	4	110174	NUT, 1/4-20 LOCK 2-WAY
2	3	112011	PUSH NUT, WASHER CAP STYLE
3	3	112095	CLEVIS PIN, STD ZP 1/4 X 1 5/8
4	1	202001	DECAL, CHIP GUARD
5	1	202010	SEAL, TOOLBOX LID (TRIM-LOK X-2897)
6	1	205012	BOLT PACKAGE
8	110049		WASHER, 5/16 X 1.50 FENDER
12	110258		NUT, 5/16-18, CAGE TINNERMAN
4	110437		BOLT, 3/8-16 X 0.75, WIZ FLANGE
14	110444		BOLT, 5/16-18 X 0.75, WIZ FLANGE
2	110606		NUT, 5/16-18 WIZ FLANGE
4	110645		NUT, 3/8-16 WIZ FLANGE
4	110665		WASHER, 5/16" FLAT STANDARD
4	110676		WASHER, 3/8" FLAT STANDARD
7	1	211109	STEP, TOOLBOX
	.7 ft	100449	Traction Pad
8	2	212003	GASKET, TOOLBOX MOUNT
9	1	212017	Latch, Toolbox w/Studs, Key & Gasket
	1	212015	Gasket, Toolbox Latch
10	1	215211	WELDMENT, TOOLBOX & HINGE, 770 LEFT
11	1	215213	WELDMENT, TOOLBOX DOOR & HINGE, 17"
12	1	260203	TOOLBOX SKIRT, 770, LEFT
13	1	260205	TOOLBOX MAT 770, LEFT



REAR VIEW CAMERA MOUNTING KITS *



***Mount Disclaimer:** These mounting kits were designed for the most common mounting-to-camera. Manufacturers change camera styles & mountings even within the same year. Use best practices to modify if need be.

***Installer note:** DewEze does not engineer wiring nor harnesses for the camera. It is the installers' responsibility to trace the OEM cable to re-attach.

Item	Qty	Part #	DESCRIPTION
1	1	205144	Dodge/Ram CC Camera Mount Kit
2	1	205145	Ford Camera & Dodge 2020+ Mount Kit
3	1	205159	Ford Box Take-Off Camera Mount Kit
4	1	205304	Chevy/ GM 2020 Box Take-Off Camera Mount Kit
5	1	205143	Chevy/GM CC 2023- Camera Mount Kit
6	1	205480	Chevy/GM CC 2024+ Camera Mount Kit
7	RT	215400	Camera Mount Weldment
7	XRT	215459	Camera Mount Weldment

BED MOUNTING KITS *

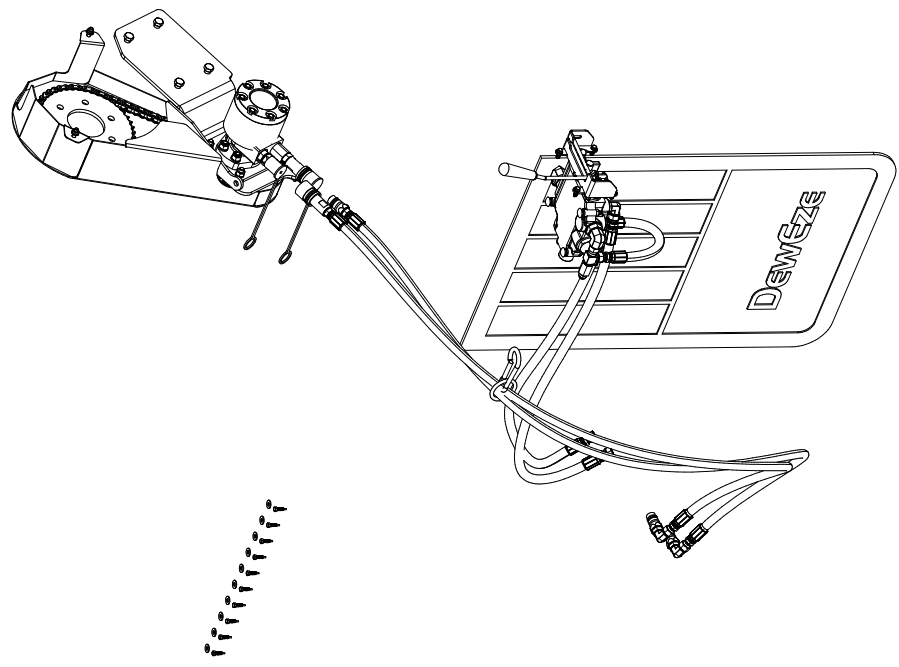
***Installer note:** Kits were designed to match specific bed styles to a model of OEM truck. Use best practices & measurements for fitment, or choose the Yellow Bag generic kit.

MAKE	PART #	YEAR	DESCRIPTION
FORD	205036	1998-2011	Ford Box Delete "Super Duty" 670, 675, 770, 778
	205041	Pre-1997	Ford Box Delete "Non Super Duty" 670, 675, 770, 778
	205064	2012-2016	Ford Box Delete 670, 675, 770, 778
	205084	1998-2016	Ford Box Delete 676, 776
	205112	2017+	Ford Box Delete 671, 676, 776
	205037	1998-2010	Ford CC 677, 682, 687, 782, 787
	205040	2011-2016	Ford CC 677, 682, 687, 782, 787
	205078	1999-2016	Ford CC 679, 684, 784
	205080	1999-2016	Ford CC 688, 788
	205081	2011+	Ford CC 687, 787
	205111	2017+	Ford CC 679, 684, 784
	205149	2017+	Ford CC 688, 788
CHEVY/GM	205038	2000-2010	Chevy Box Delete 670, 675, 770, 778
	205049	2011-2019	Chevy Box Delete 675 & 778
	205063	2011-2019	Chevy Box Delete 670 & 770
	205085	2011-2019	Chevy Box Delete 676, 776
	205086	2000-2010	Chevy Box Delete 676, 776
	205303	2020+	Chevy Box Delete, 671, 676, 776
	205046	2011+	Chevy CC 682 & 782
	205047	2011+	Chevy CC 684, 784
	205051	2000-2010	Chevy CC 682, 782
	205052	PRE 2010	Chevy CC 687 & 787
	205069	2011+	Chevy CC 688, 788
	205281	2019+	Chevy (4500-5500) CC 684, 784
205424	2019+	Chevy (4500-6500) CC 688, 788	
DODGE/ RAM	205054	1994-2002	Dodge Box Delete 670, 770
	205082	2003-2013	Dodge Box Delete 676, 776
	205087	2014+	Dodge (2500) Box Delete 676, 776
	205089	1994-2002	Dodge Box Delete 676, 776
	205093	2014-2018	Dodge Box Delete 670, 770
	205121	2014-2018	Dodge (3500) Box Delete 676, 776
	205173	2019+	Dodge (3500) Box Delete 676, 776
	205185	2019+	Dodge Box Delete 670, 770
	205469	2003-2013	Dodge Box Delete 670, 770
	205039	2007+	Dodge CC 679, 684, 784
	205059	2003-2013	Dodge CC 675 & 778
	205065	2007+	Dodge CC 688, 788
MISC.	205029	Yellow Bag & Contents (applicable to older truck models not listed above)	

Parts List

ITEM	QTY	PART #	DESCRIPTION
1	1	102128	Ring, 2"ID X .312, Zinc, Not For Lifting
2	2	110158	NUT, 5/16-18 JAM
3	1	110300	COTTER PIN, 3/32 X 0.75
4	4	110442	BOLT, 1/2-13 X 1.25
5	3	110606	NUT, 5/16-18 WIZ FLANGE
6	4	110615	NUT, 1/2-13, UNITORQUE LOCK
7	4	111220	Bolt, 1/4-20 x .75, Thread Cutting, SS
8	1	112142	Knob, Long Tapered
9	1	112146	Clevis Pin, 3/16" x 1.25", Zinc-Plated
10	2	120288	ADAPTER, 8MJ-8MB90
11	1	120581	Coupler, Pioneer Female, ORB
12	3	120582	Coupler, Pioneer Male, ORB
17	1	205043	INSTALL HARDWARE
18	1	205283	RT Chain Shield, Service Part
19	1	210174	MUD FLAP, WIDE, PAIR
20	1	214008	Drive Sprocket Assembly, RT
21	1	214011	Motor Assembly, RT Winder
22	1	214015	Valve Assembly, XRT Winder
24	2	220831	Hose, .50 x 99.0 8fjx90/8mb
25	2	220832	Hose, .50 x 41.0 8fjx8fjx
26	1	220833	Hose Assy, .50 x 15, 8fjx8fjx
28	1	240013	Chain, Drive, RT Winder
29	1	270039	Sprocket, 50A45, Reel Winder
30	1	270159	Valve Handle
31	1	275014	Weldment, RT Drive Mount
32	1	275062	Weldment, Valve Eyebrow
33	1	275063	Weldment, Valve Handle Clevis
35	1	902208	Carabiner, 3/8", Zinc

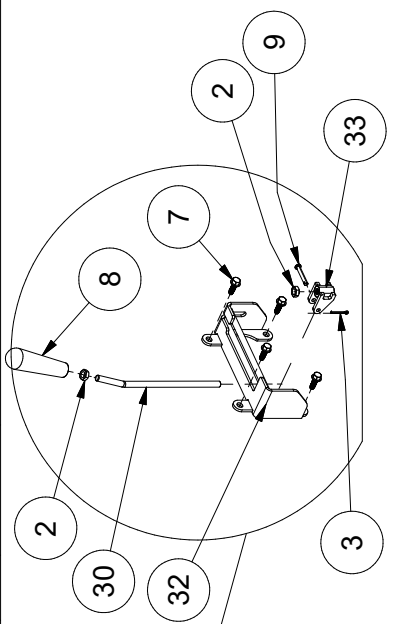
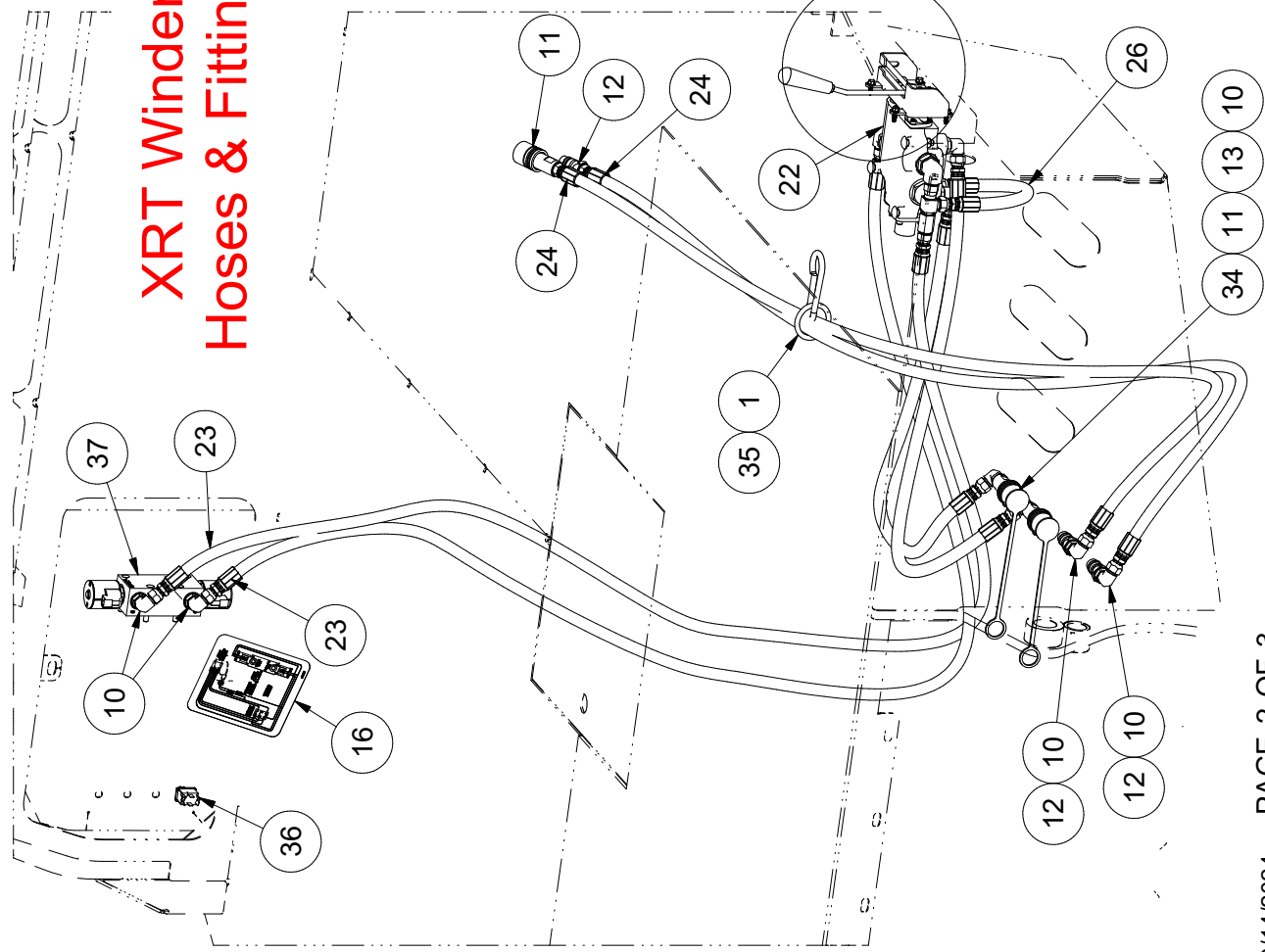
XRT Winder



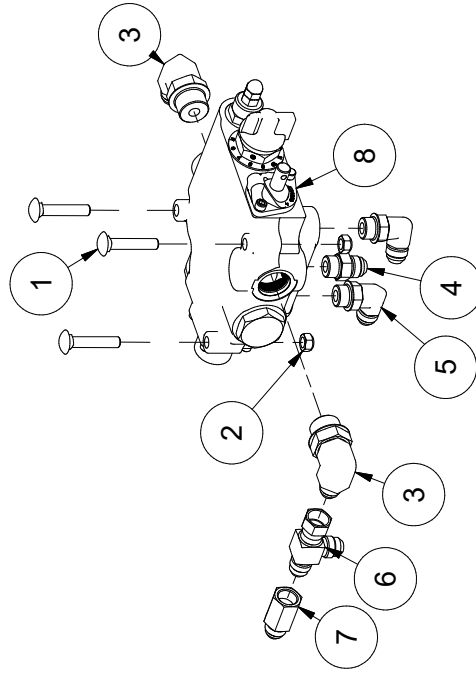
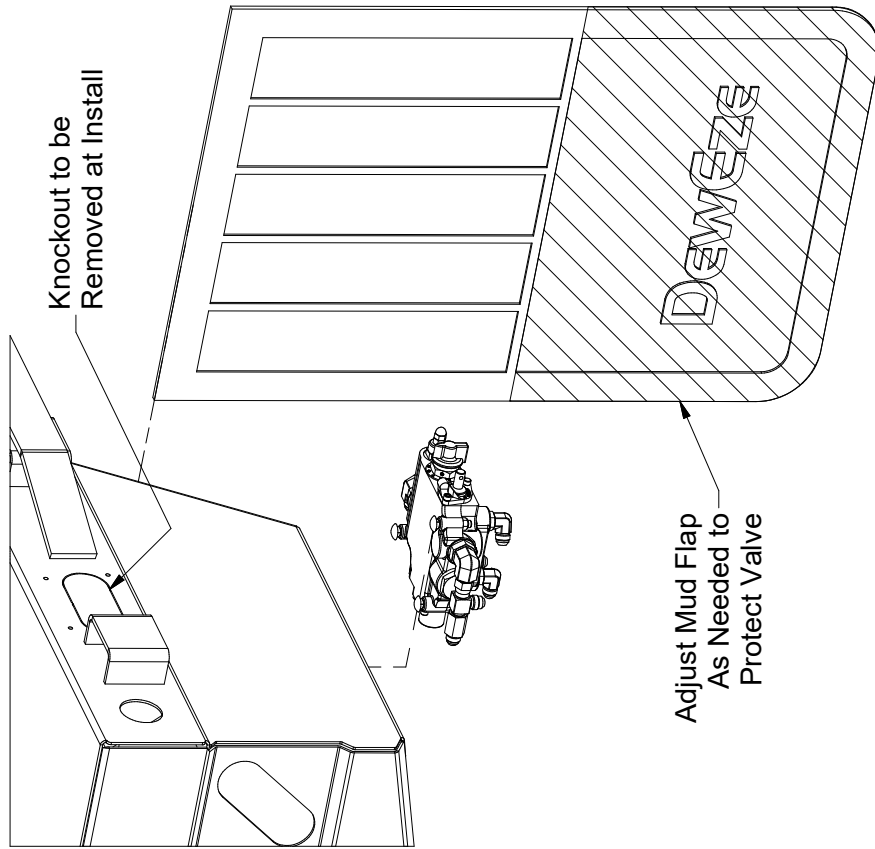
Parts List

ITEM	QTY	PART #	DESCRIPTION
1	1	102128	Ring, 2"ID X .312, Zinc, Not For Lifting
2	2	110158	NUT, 5/16-18 JAM
3	1	110300	COTTER PIN, 3/32 X 0.75
7	4	111220	Bolt, 1/4-20 x .75, Thread Cutting, SS
8	1	112142	Knob, Long Tapered
9	1	112146	Clevis Pin, 3/16" x 1.25", Zinc-Plated
10	6	120288	ADAPTER, 8MJ-8MB90
11	3	120581	Coupler, Pioneer Female, ORB
12	3	120582	Coupler, Pioneer Male, ORB
13	4	120583	Snap Ring, ORB Pioneer Coupler
16	1	202154	Decal, 3rd Bank, RT Valve
22	1	214015	Valve Assembly, XRT Winder
23	2	220697	Hose, .50 X 183.00, 8-8fjx
24	2	220631	Hose, .50 x 99.0 8fjx90/8mb
26	1	220633	Hose Assy, .50 x 15, 8fjx/8fjx
30	1	270159	Valve Handle
32	1	275062	Weldment, Valve Eyebrow
33	1	275063	Weldment, Valve Handle Clevis
34	2	420051	DUST PLUG, PIONEER COUPLER
35	1	902208	Carabiner, 3/8", Zinc
36	1	132134	Switch, Toggle, DPDT, On-Off-On
37	1	223045	Valve, 3rd Bank add on (223044)

XRT Winder Hoses & Fittings

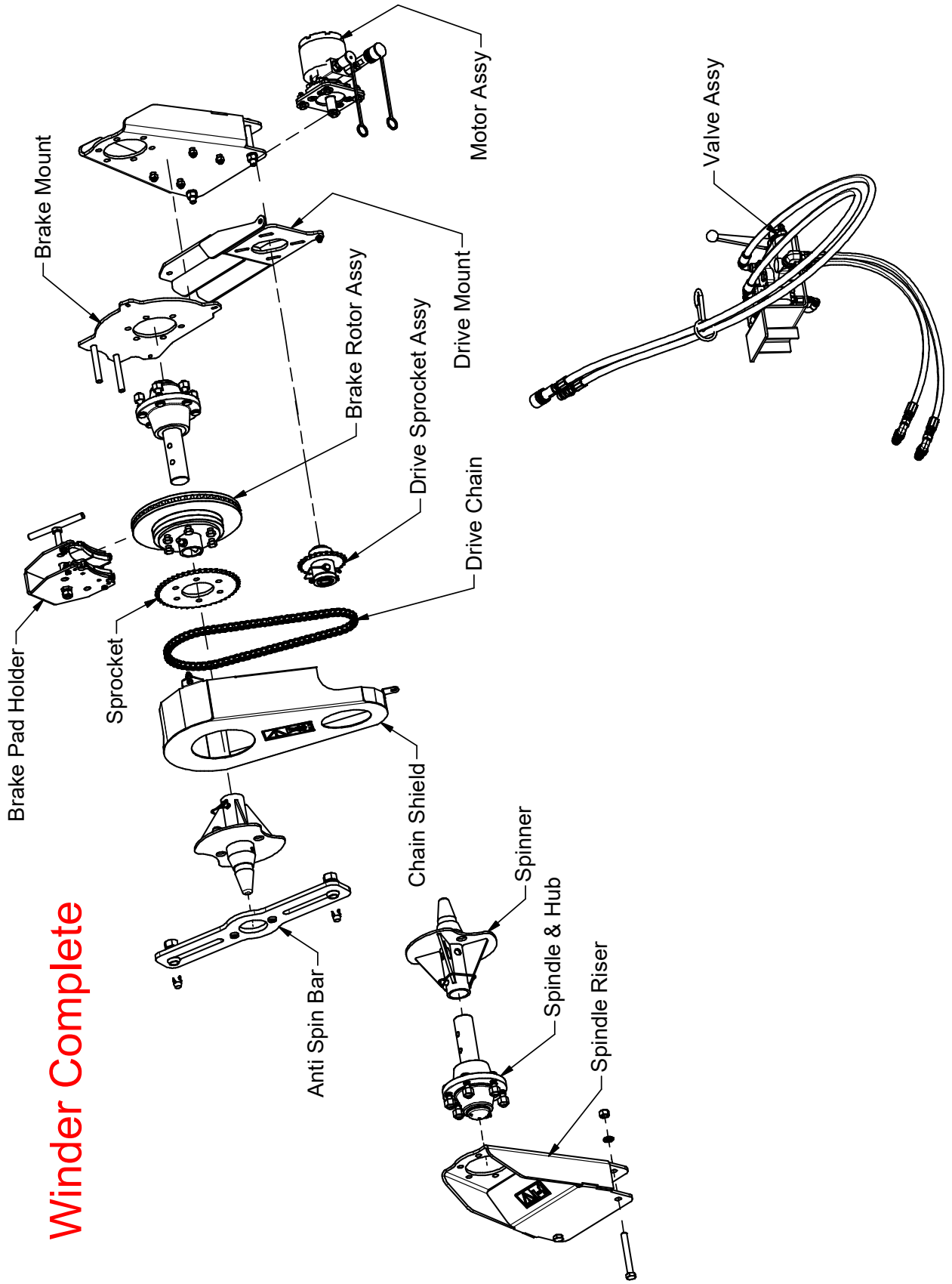


XRT Winder Valve Assembly



205426		REV: A	
Part # 214015			
ITEM	QTY	PART #	DESCRIPTION
1	3	110392	Bolt, 3/8-16 X 2 in Carriage
2	3	110621	NUT, 3/8-16, UNITORQUE LOCK
3	2	120246	ADAPTER, 8MJ-12MB90
4	1	120277	ADAPTER, 8MJ-8MB
5	2	120288	ADAPTER, 8MJ-8MB90
6	1	120427	ADAPTER, 8MJ-8FJX-8MJ
7	1	120535	Valve, Check, 8fj-8mj
8	1	223107	Valve, Spool, 1 Bank w/Flow Control, No Handle

Winder Complete

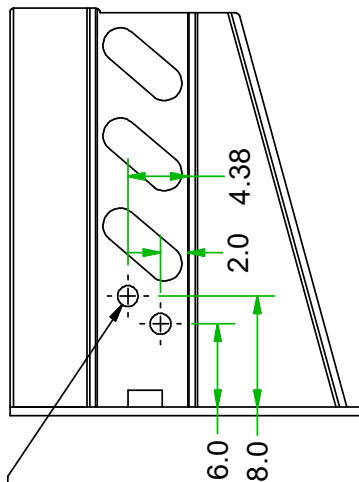


10/28/2019

Third Bank Rear Couplers Required for Winder Option



Knockouts Located
In Right Rear Tailboard
In Not Drill Two 1-1/2" Holes
in Tailboard for Couplers

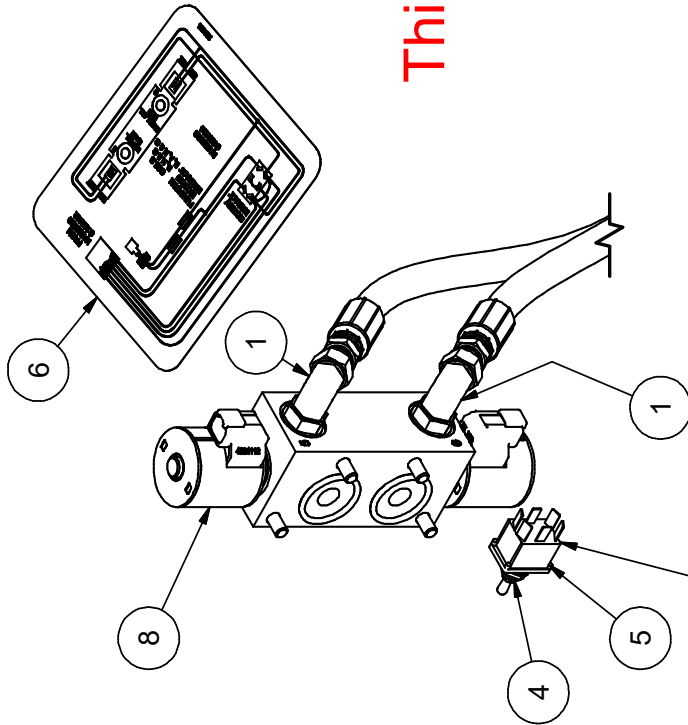


Latching Switch, Part # 132134
Optional for Operation
of the 3rd Bank Valve
Which Supplies Oil to the
Rear Couplers
Where the Reel Winder Valve
is Plugged in.

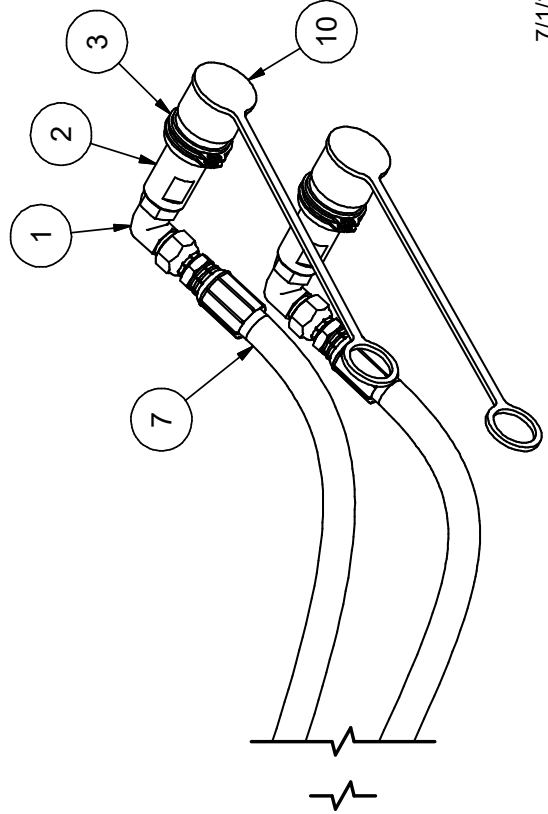
Part# 235024			DESCRIPTION
ITEM	QTY	PART #	DESCRIPTION
1	4	120288	ADAPTER, 8MJ-8MB90
2	2	120581	Coupler, Pioneer Female, ORB
3	4	120583	Snap Ring, ORB Pioneer Coupler
4	1	132035	SWITCH BOOT
5	1	132127	Switch, Toggle, DPDT, (On)-OFF-(ON)
6	1	202154	Decal, 3rd Bank, RT Valve
7	2	220697	Hose, .50 X 183.00, 8-8fx
8	1	223045	Valve, 3rd Bank add on (223044)
9	1	232183	Harness, Reel Transport, 3rd Bank
10	2	420051	DUST PLUG, PIONEER COUPLER

* Item 9 -- Not Shown

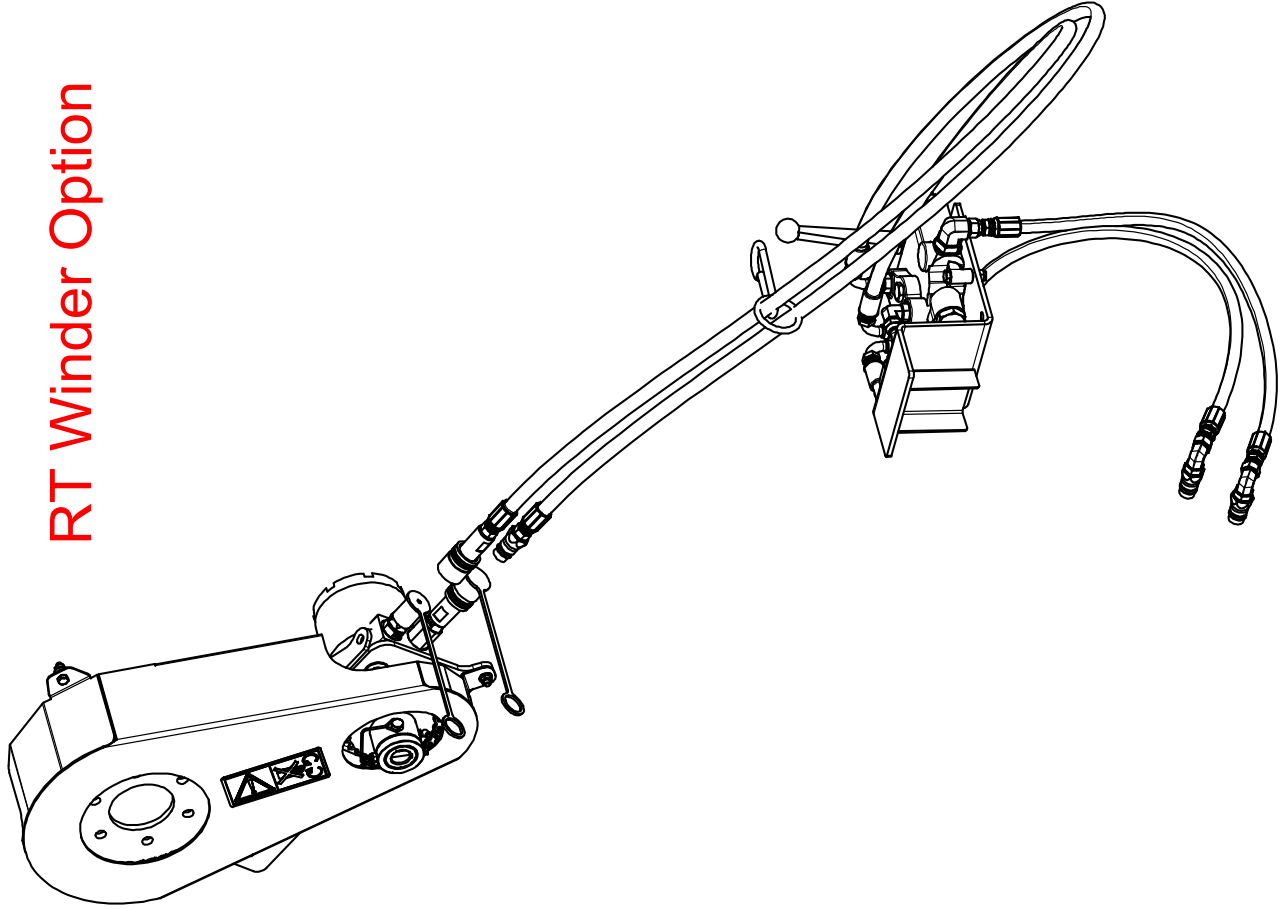
Third Bank Rear Couplers Required for Winder Option



Latching Switch, Part # 132134
Optional for Operation
of the 3rd Bank Valve
Which Supplies Oil to the
Rear Couplers
Where the Reel Winder Valve
is Plugged in.



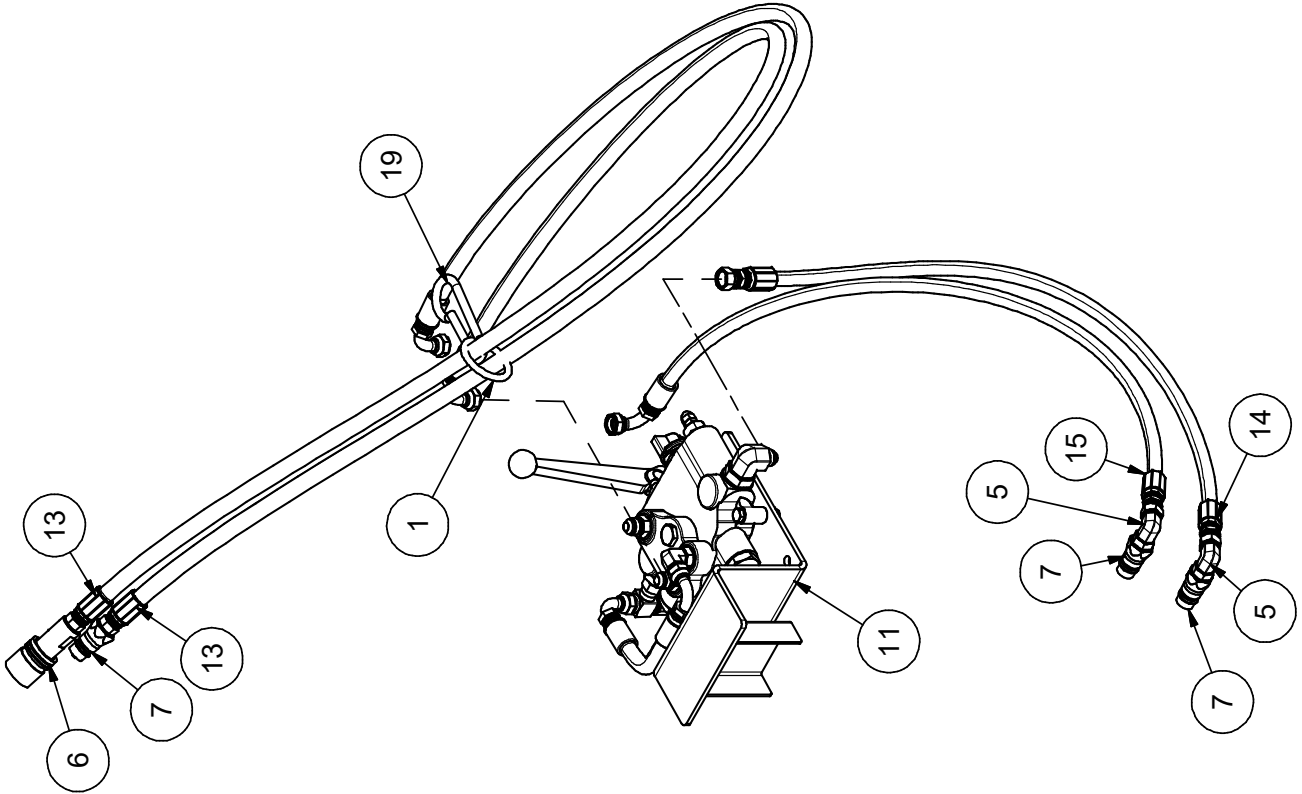
RT Winder Option



Part # 205157		DESCRIPTION
ITEM	QTY	PART #
1	1	102128
2	4	110442
3	3	110606
4	4	110615
5	2	120288
6	1	120581
7	3	120582
8	1	132134
9	1	205283
10	1	214008
11	1	214009
12	1	214011
13	2	220747
14	1	220748
15	1	220749
16	1	240013
17	1	270039
18	1	275014
19	1	902208
20	1	202146

Parts List			
ITEM	QTY	PART #	DESCRIPTION
1	1	102128	Ring, 2"ID X .312, Zinc, Not For Lifting
5	2	120288	ADAPTER, 8MJ-8MB90
6	1	120581	Coupler, Pioneer Female, ORB
7	3	120582	Coupler, Pioneer Male, ORB
11	1	214009	Valve Assembly, RT Winder
13	2	220747	Hose, .50 x 99.0 8fjx90/8mb
14	1	220748	Hose, .50 x 41.0 8fjx/8fjx
15	1	220749	Hose, .50 x 46.0 8fjx/8fjx90
19	1	902208	Carabiner, 3/8", Zinc

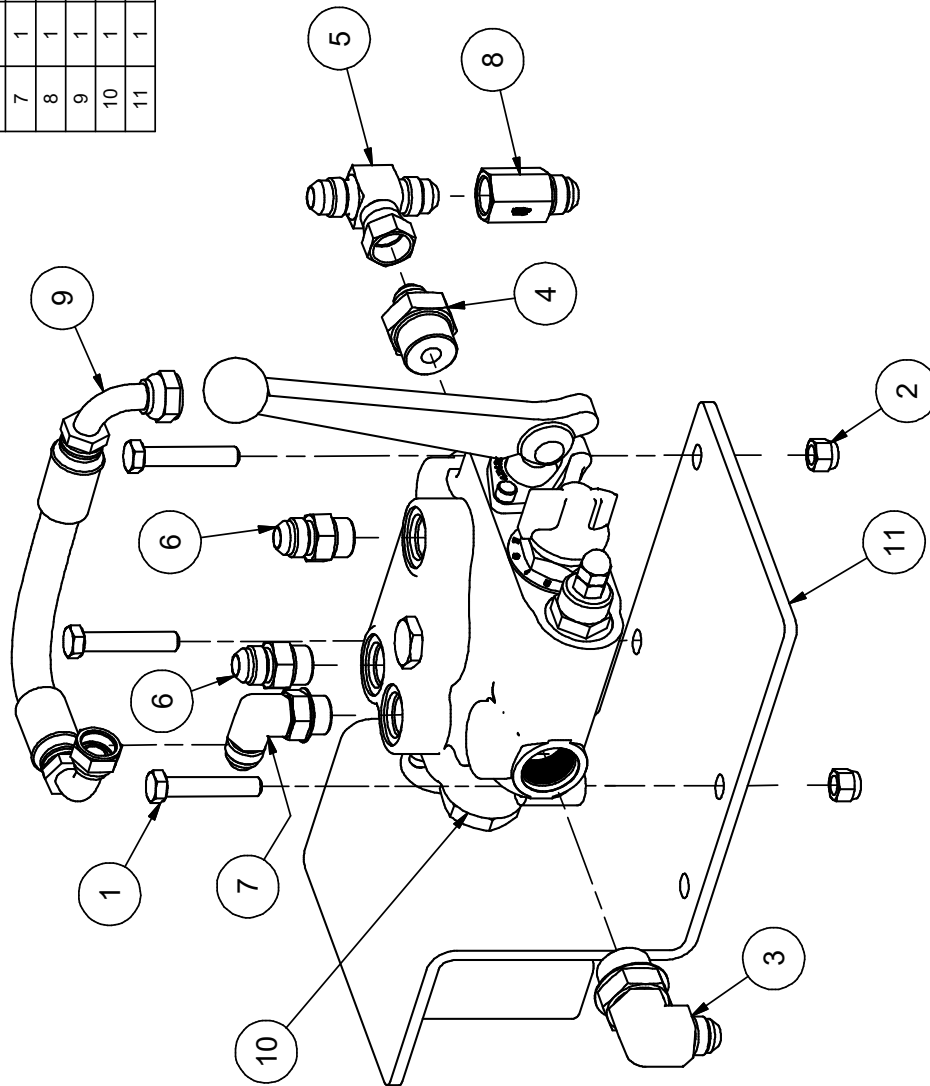
RT Winder Hoses & Fittings



RT Valve Assembly

Part # 214009

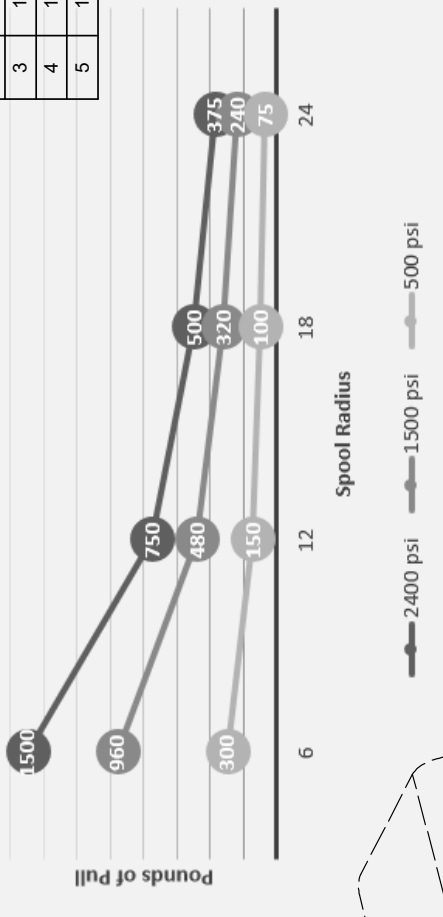
ITEM	QTY	PART #	DESCRIPTION
1	3	110400	BOLT, 3/8-16 X 2.0
2	3	110618	NUT, 3/8-16 LOCK NYLON INSERT
3	1	120246	ADAPTER, 8MJ-12MB90
4	1	120252	ADAPTER, 8MJ-12MB
5	1	120270	ADAPTER, 8MJ-8MJ-8F-JX
6	2	120277	ADAPTER, 8MJ-8MB
7	1	120288	ADAPTER, 8MJ-8MB90
8	1	120535	Valve, Check, 8fj-8mj
9	1	220746	Hose, .50 x 10.0 8fjx90/8fjx90
10	1	223072	Valve, Spool, 1 Bank w/Flow Control
11	1	275021	Weldment, RT Valve Mount, Stake Pocket



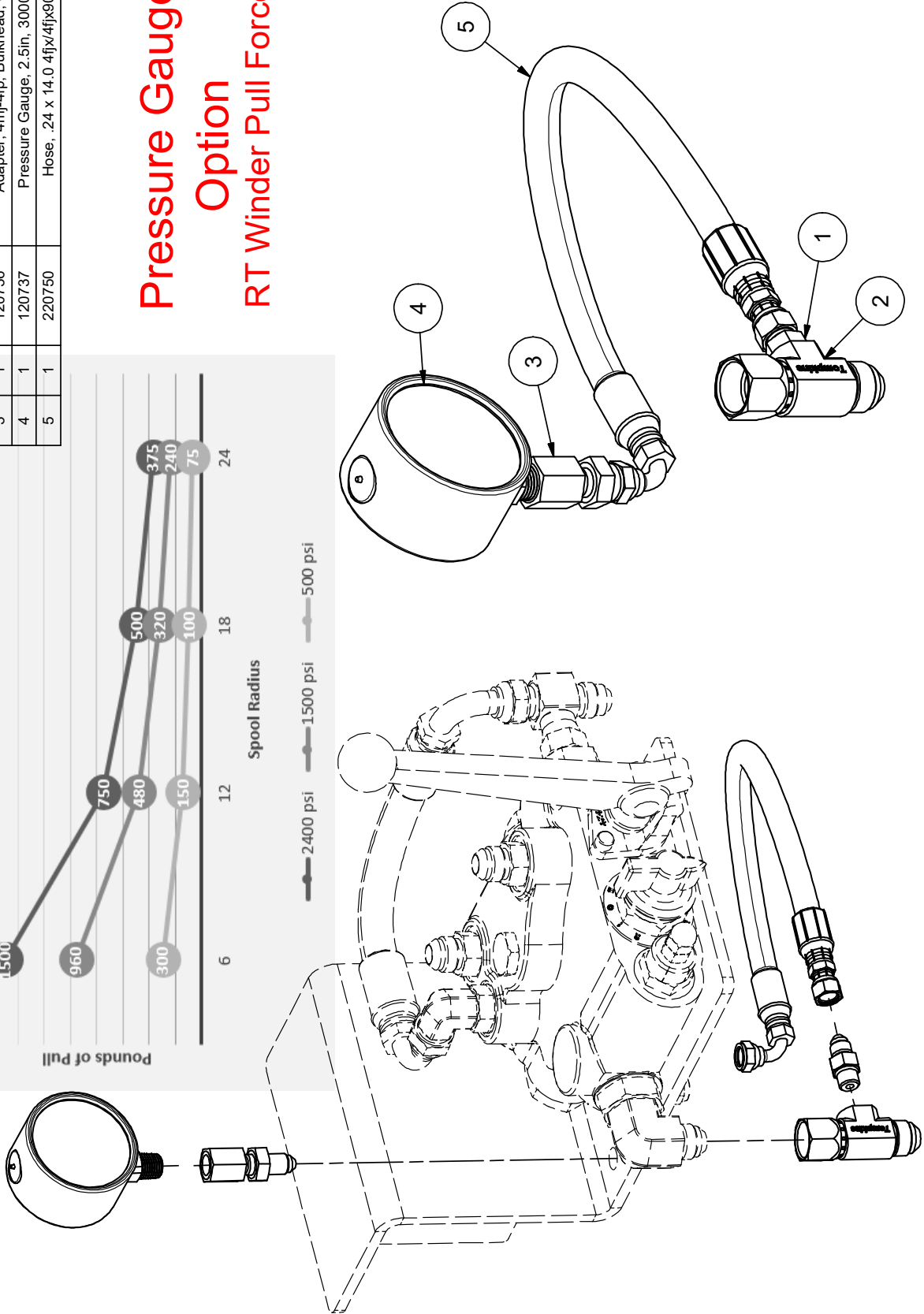
Part # 205285

ITEM	QTY	PART #	DESCRIPTION
1	1	120233	ADAPTER, 4MJ-4MB
2	1	120679	Adapter, 8FJX-8MJ-4FB
3	1	120736	Adapter, 4mj-4fp, Bulkhead, w/LN
4	1	120737	Pressure Gauge, 2.5in, 3000 psi
5	1	220750	Hose, .24 x 14.0 4fjx/4fjx90m

Pull Force



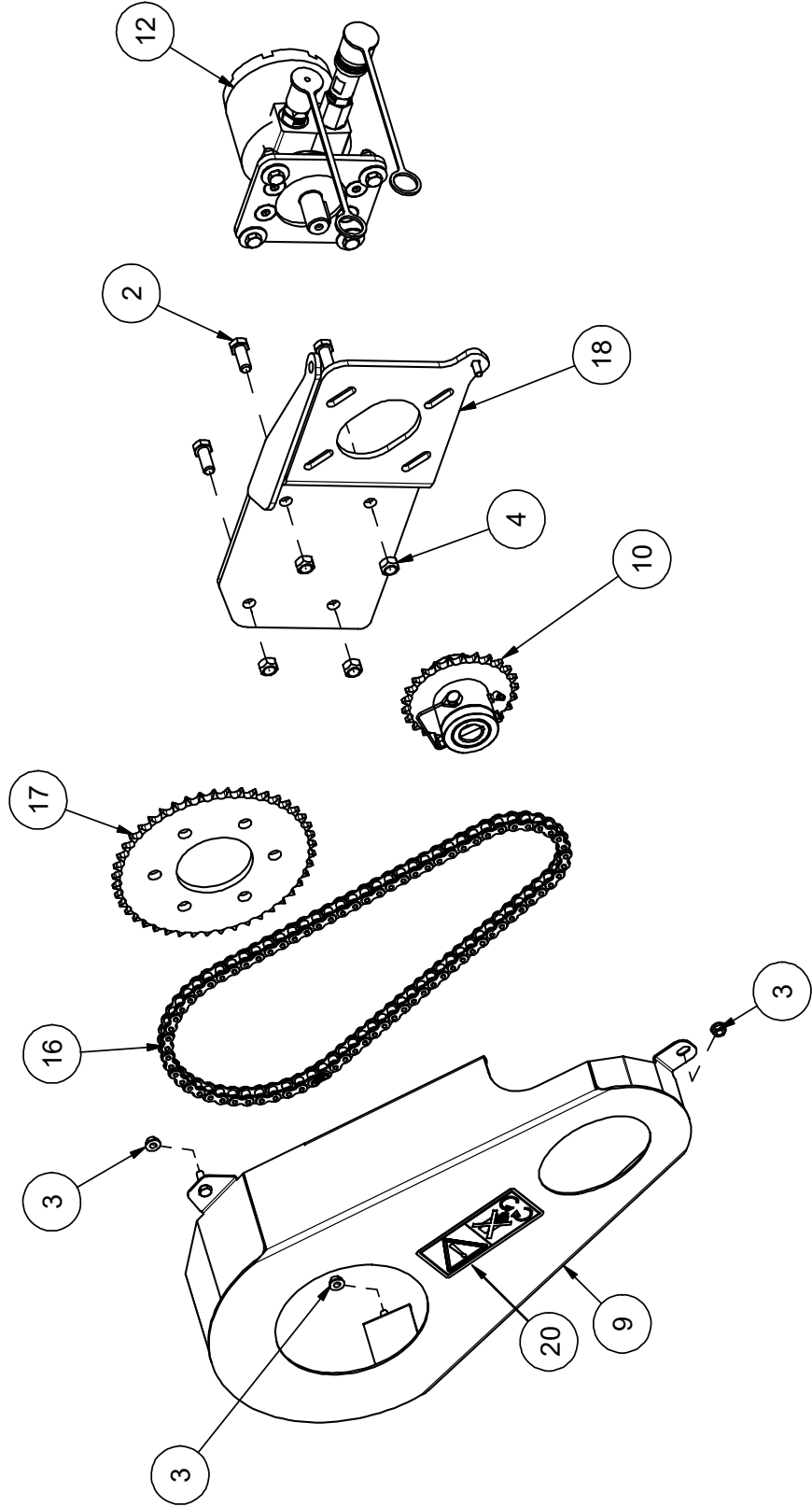
Pressure Gauge Option RT Winder Pull Force



RT & XRT Winder Mounting Bracket & Shield

Parts List

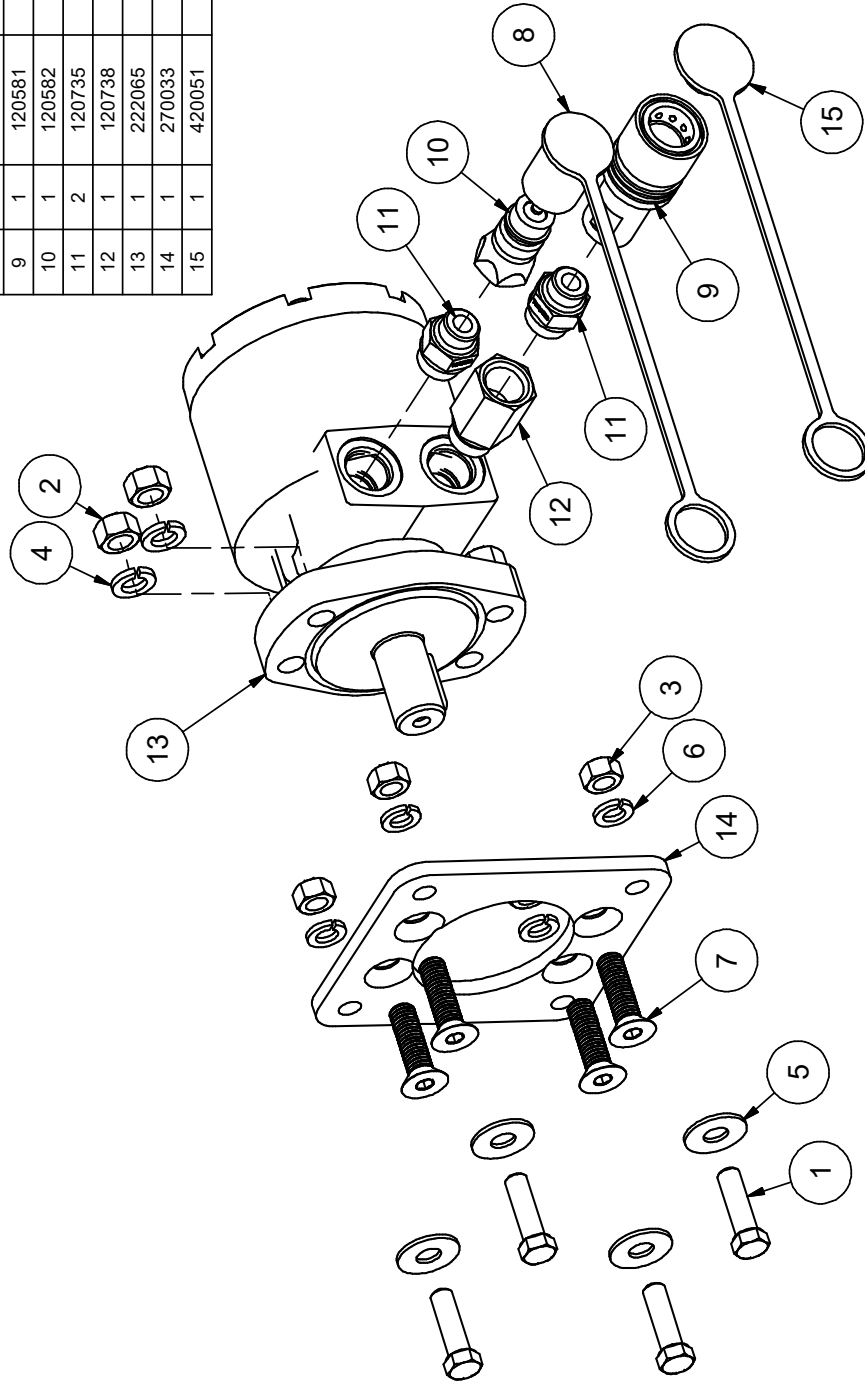
ITEM	QTY	PART #	DESCRIPTION
2	4	110442	BOLT, 1/2-13 X 1.25
3	3	110606	NUT, 5/16-18 WIZ FLANGE
4	4	110615	NUT, 1/2-13, UNITORQUE LOCK
9	1	205283	RT Chain Shield, Service Part
10	1	214008	Drive Sprocket Assembly, RT
12	1	214011	Motor Assembly, RT Winder
16	1	240013	Chain, Drive, RT Winder
17	1	270039	Sprocket, 50A45, Reel Winder
18	1	275014	Weldment, RT Drive Mount
20	1	202146	Decal, Do Not Remove Shield



RT & XRT Motor Assembly

Part # 214011

ITEM	QTY	PART #	DESCRIPTION
1	4	110535	BOLT, 7/16-14 X 1.5
2	4	110610	NUT, 1/2-13
3	4	110641	NUT, 7/16-14
4	4	110666	WASHER, 1/2" LOCK
5	4	110670	WASHER, 7/16" FLAT STANDARD
6	4	110671	WASHER, 7/16" LOCK
7	4	111045	Bolt, 1/2-13 x 1.75 FHCS
8	1	112127	Dust Cap, Male Pioneer
9	1	120581	Coupler, Pioneer Female, ORB
10	1	120582	Coupler, Pioneer Male, ORB
11	2	120735	Adapter, 10mb-8mb
12	1	120738	Adapter, 10mb-10fb, Extender
13	1	222065	Motor, Hydraulic, 15.68ci
14	1	270033	Mounting Plate, RT Motor
15	1	420051	DUST PLUG, PIONEER COUPLER

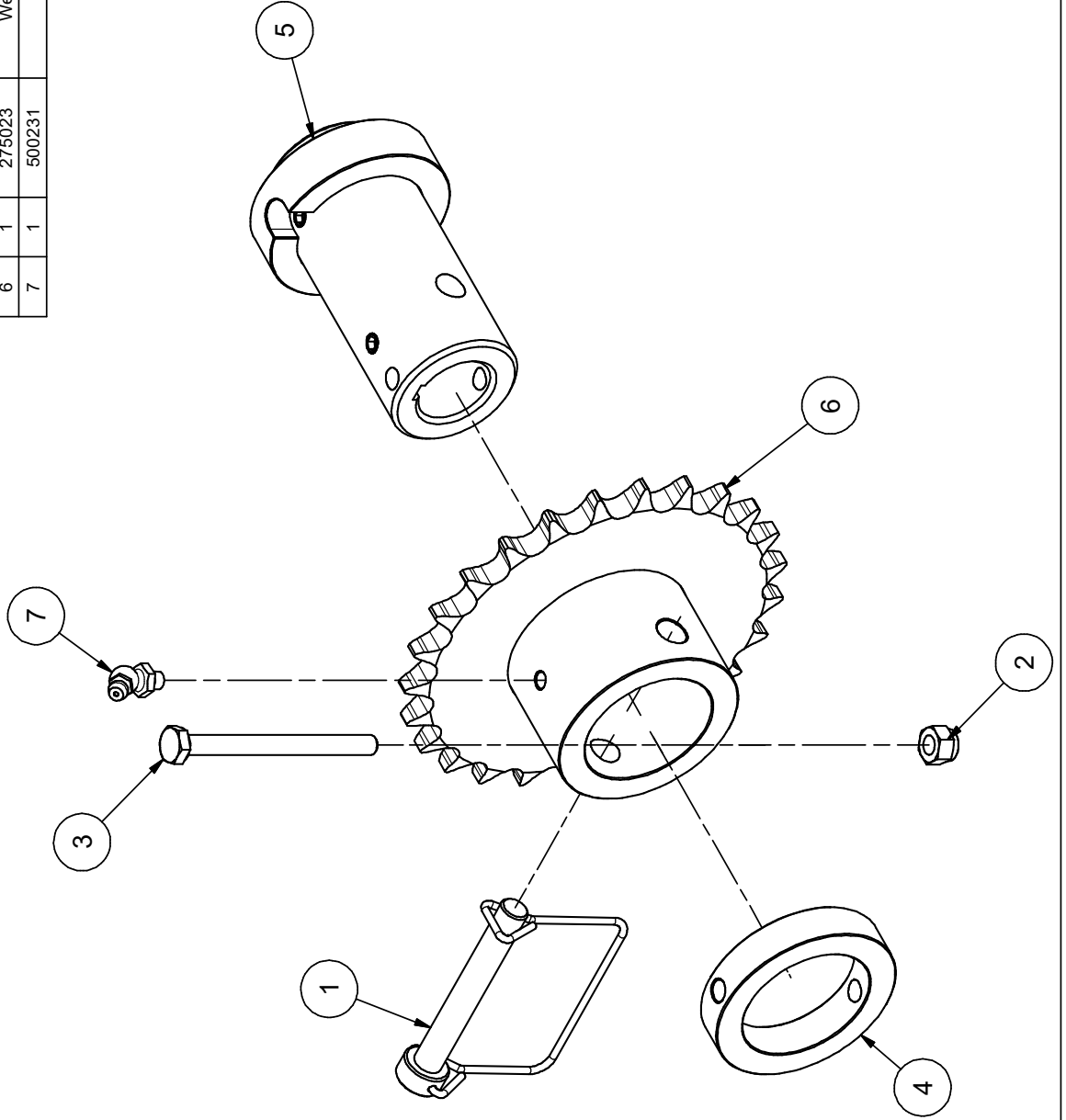


11/12/2020

RT & XRT Drive Sprocket Assembly

Part # 214008

ITEM	QTY	PART #	DESCRIPTION
1	1	102125	Pin, Lock, .375 x 2.5, Grade 8, Single Wire
2	1	110630	NUT, 1/4-20 LOCK (NYLON INSERT)
3	1	110844	BOLT, 1/4-20 X 3
4	1	270036	Stop Collar Outer, Drive Bushing, RT
5	1	275022	Weldment, RT Drive Bushing
6	1	275023	Weldment, RT Drive Sprocket, 5025
7	1	500231	GREASE ZERK, 1/4-28 45deg

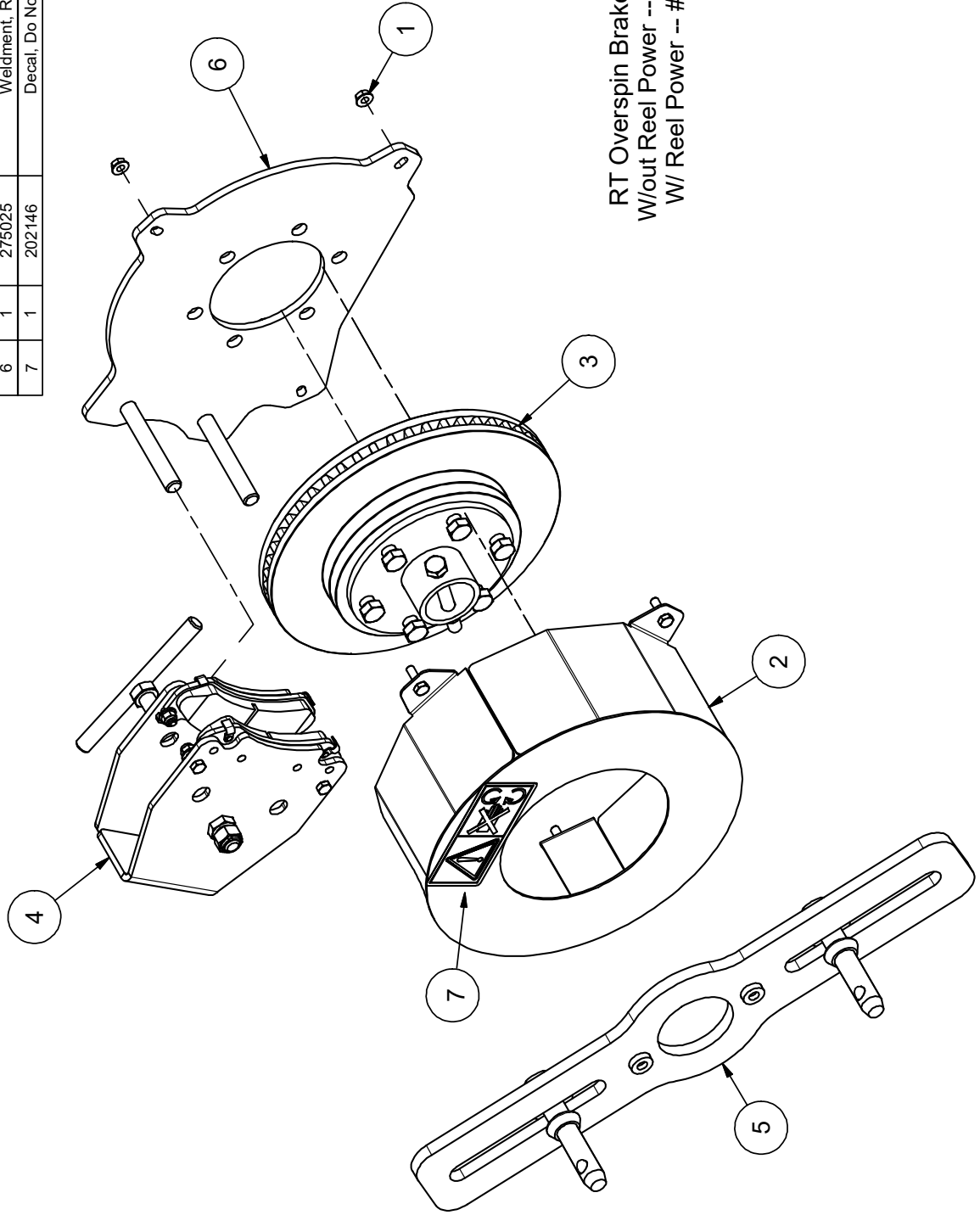


11/12/2020

RT Overspin Brake Option Assembly

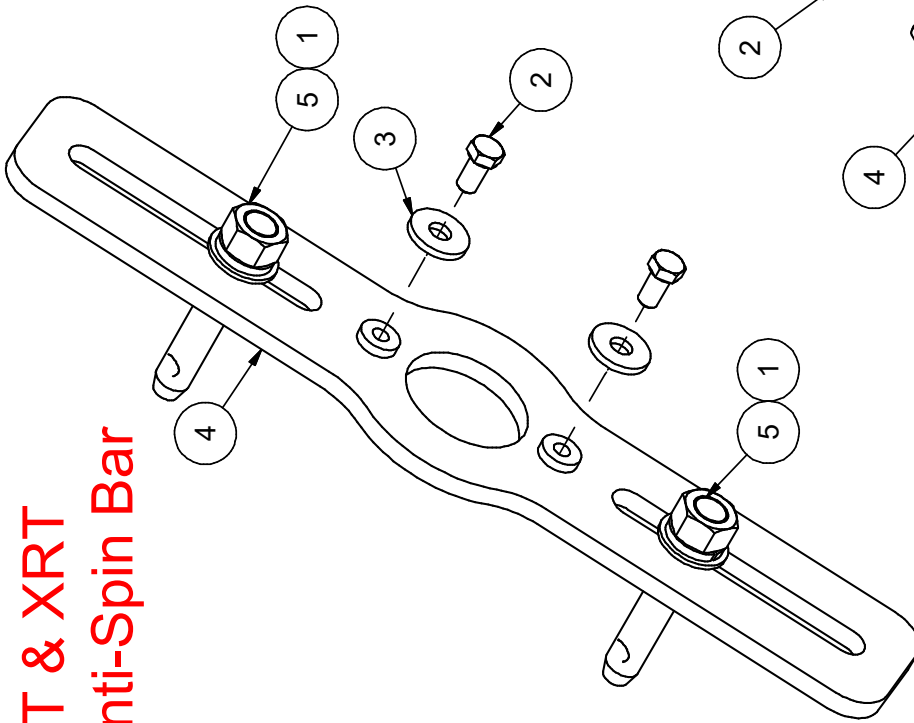
Parts List

ITEM	QTY	PART #	DESCRIPTION
1	3	110606	NUT, 5/16-18 WIZ FLANGE
2	1	205284	RT Brake Shield, Service Part
3	1	214005	Brake Rotor Assembly, RT
4	1	214006	Brake Pad Holder Assembly, RT
5	1	214007	Anti Spin Bar Assembly, RT
6	1	275025	Weldment, RT Brake Mount
7	1	202146	Decal, Do Not Remove Shield



RT Overspin Brake Option
W/out Reel Power -- # 205156
W/ Reel Power -- # 205298

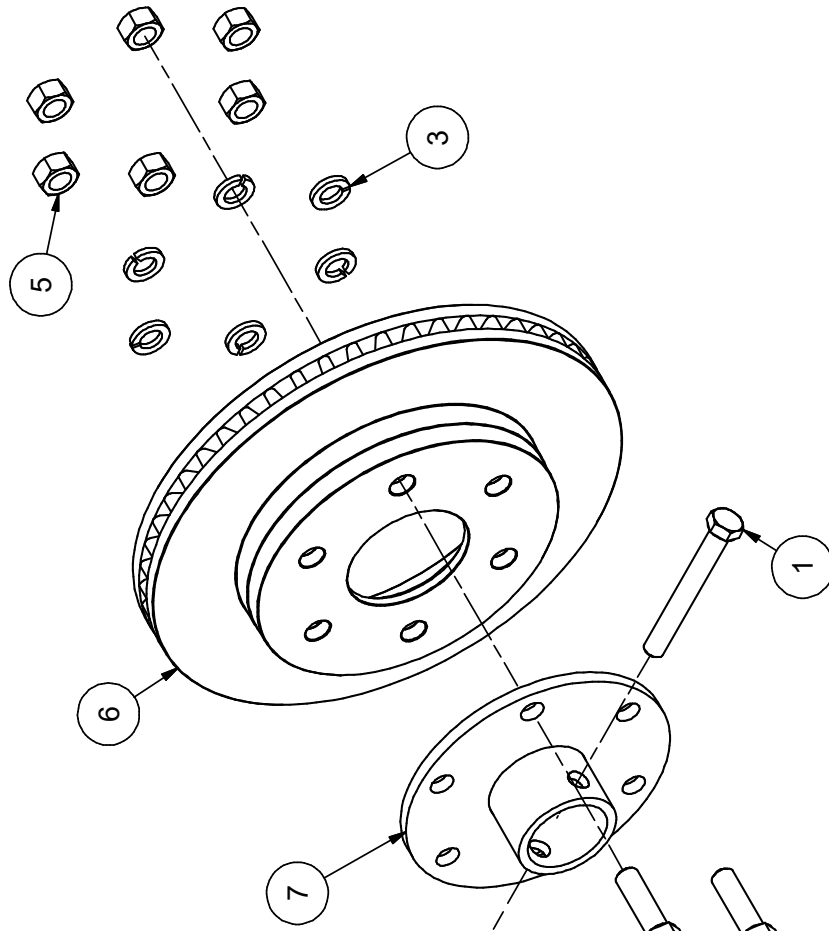
**RT & XRT
Anti-Spin Bar**



Part # 214005		DESCRIPTION
ITEM	QTY	PART #
1	1	110564
2	1	110615
3	6	110937
4	6	111177
5	6	111178
6	1	242011
7	1	275018
		Weldment, Disc Brake Rotor Mount

Part # 214007

ITEM	QTY	PART #	DESCRIPTION
1	2	110046	WASHER, 7/8" FLAT SAE
2	2	110086	BOLT, 1/2-13 X 1.0
3	2	110660	WASHER, 1/2" FLAT SPECIAL 1 1.5od
4	1	275020	Weldment, RT Anti Spin Bar
5	2	910002	3-Point Pin W/ Hardware

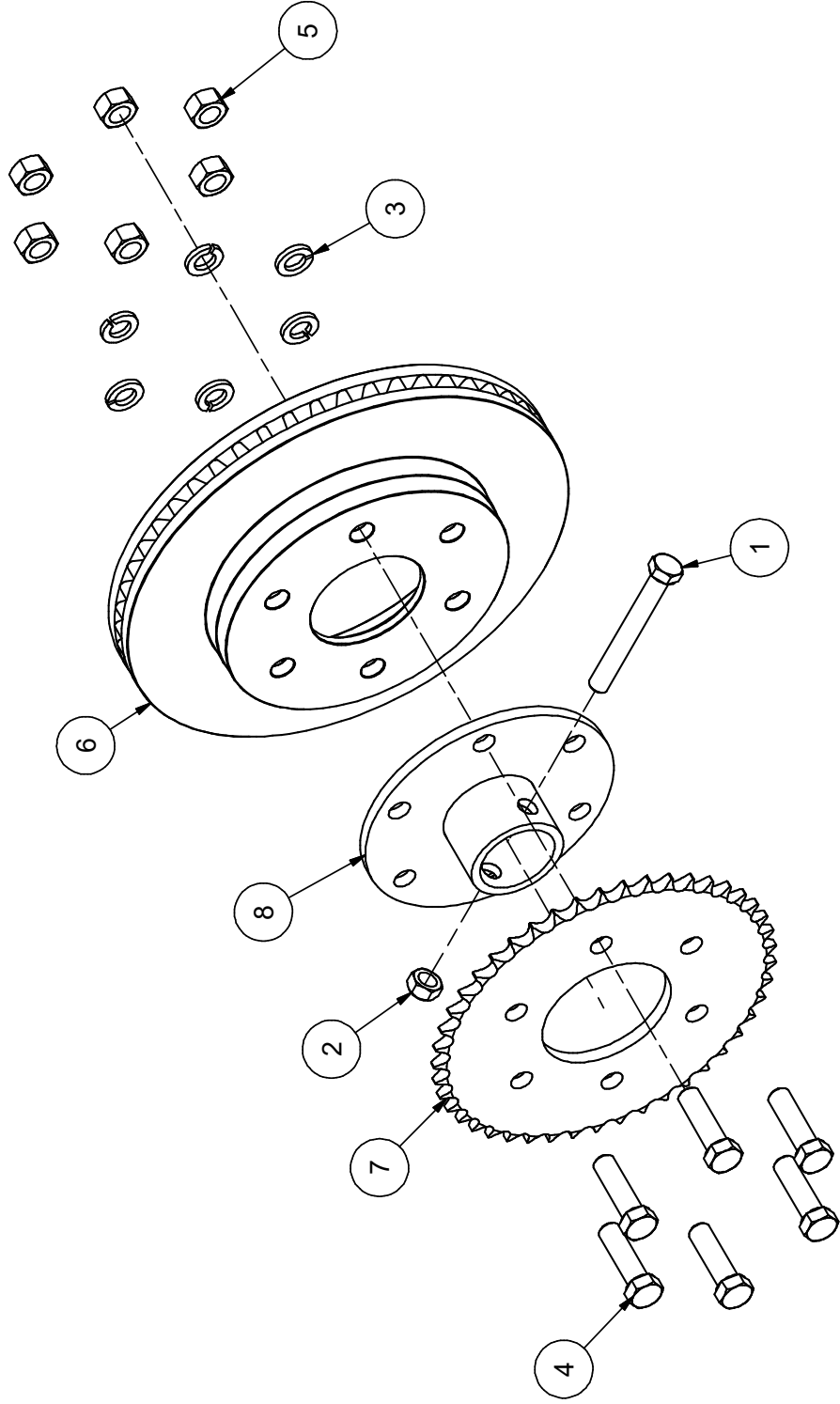


**RT & XRT Brake Rotor
Assembly**

RT & XRT Brake Rotor Assembly W/ Drive Sprocket

Parts List

ITEM	QTY	PART #	DESCRIPTION
1	1	110564	BOLT, 1/2-13 X 4, GR8
2	1	110615	NUT, 1/2-13, UNITORQUE LOCK
3	6	110937	WASHER, M14 LOCK
4	6	111177	Hex Cap 9-16x2 UNC
5	6	111178	NUT, 9/16-12, GR 5, Zinc
6	1	242011	Brake Rotor, RT
7	1	270039	Sprocket, 50A45, Reel Winder
8	1	275018	Weldment, Disc Brake Rotor Mount

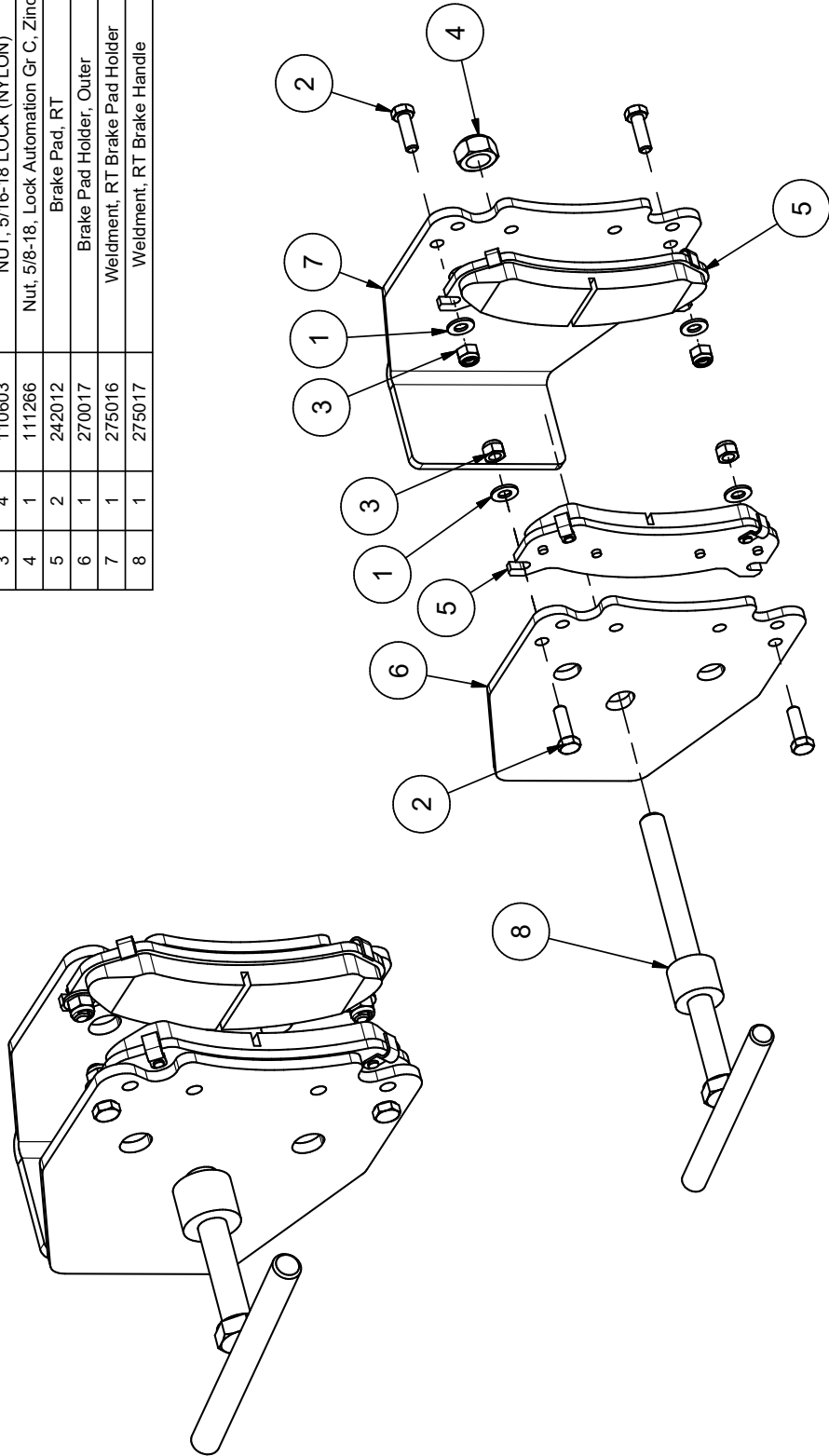


214006 REV: A

RT & XRT BRAKE PAD HOLDER ASSEMBLY

Parts List

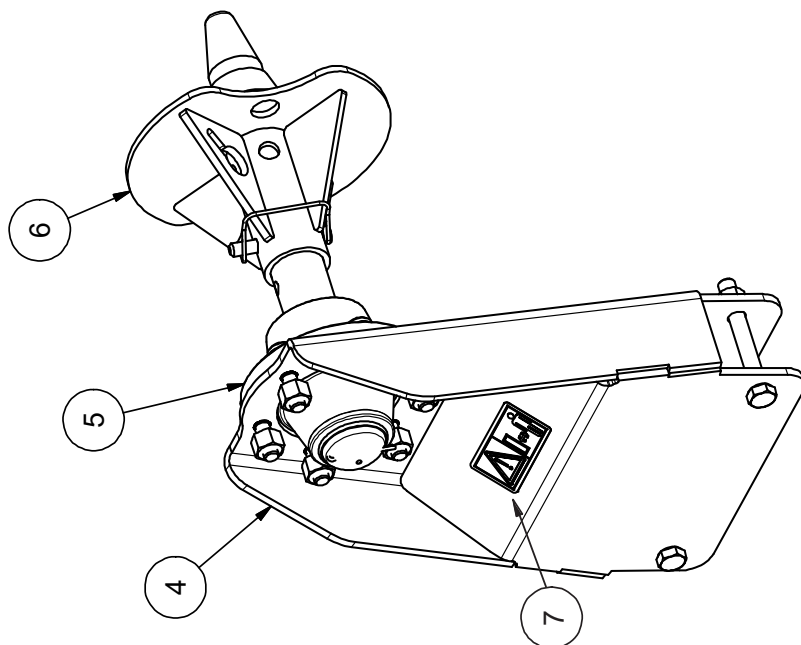
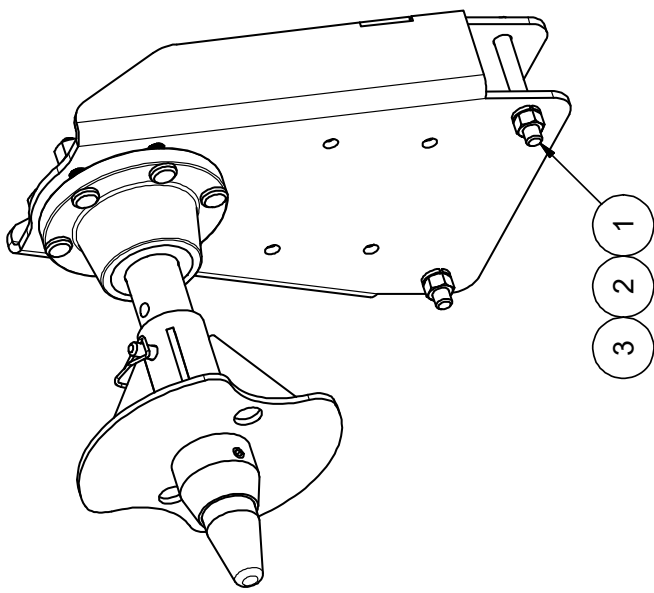
ITEM	QTY	PART #	DESCRIPTION
1	4	110069	WASHER, 5/16" FLAT SAE
2	4	110423	BOLT, 5/16-18 X 1.0
3	4	110603	NUT, 5/16-18 LOCK (NYLON)
4	1	111266	Nut, 5/8-18, Lock Automation Gr C, Zinc
5	2	242012	Brake Pad, RT
6	1	270017	Brake Pad Holder, Outer
7	1	275016	Weldment, RT Brake Pad Holder
8	1	275017	Weldment, RT Brake Handle



RT SPINNER & RISER, PAIR

Parts List

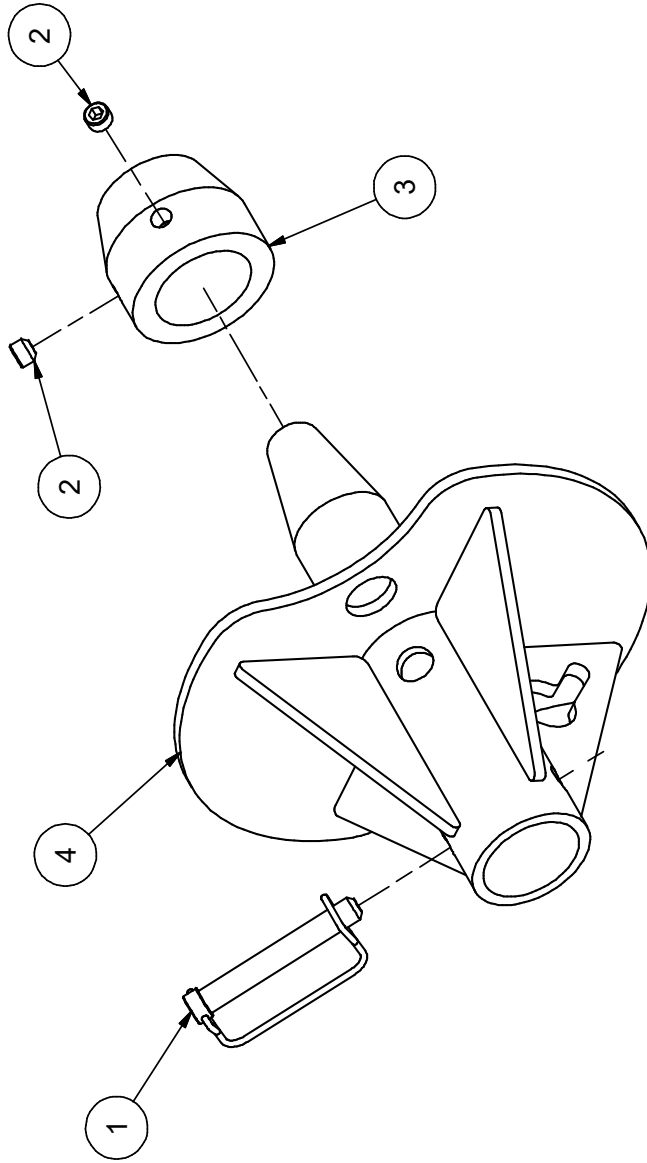
ITEM	QTY	PART #	DESCRIPTION
1	4	110407	BOLT, 5/8-11 X 5.0
2	4	110597	NUT, 5/8-11 HEX
3	4	110655	WASHER, 5/8" LOCK
4	2	205158	RT Spindle Riser, 3x4 Arm, Service Part
5	2	214004	Spindle & Hub Assembly, RT
6	2	214010	Spinner Assembly, RT
7	2	202114	Decal, Safe Distance, Horizontal



Part # 214010

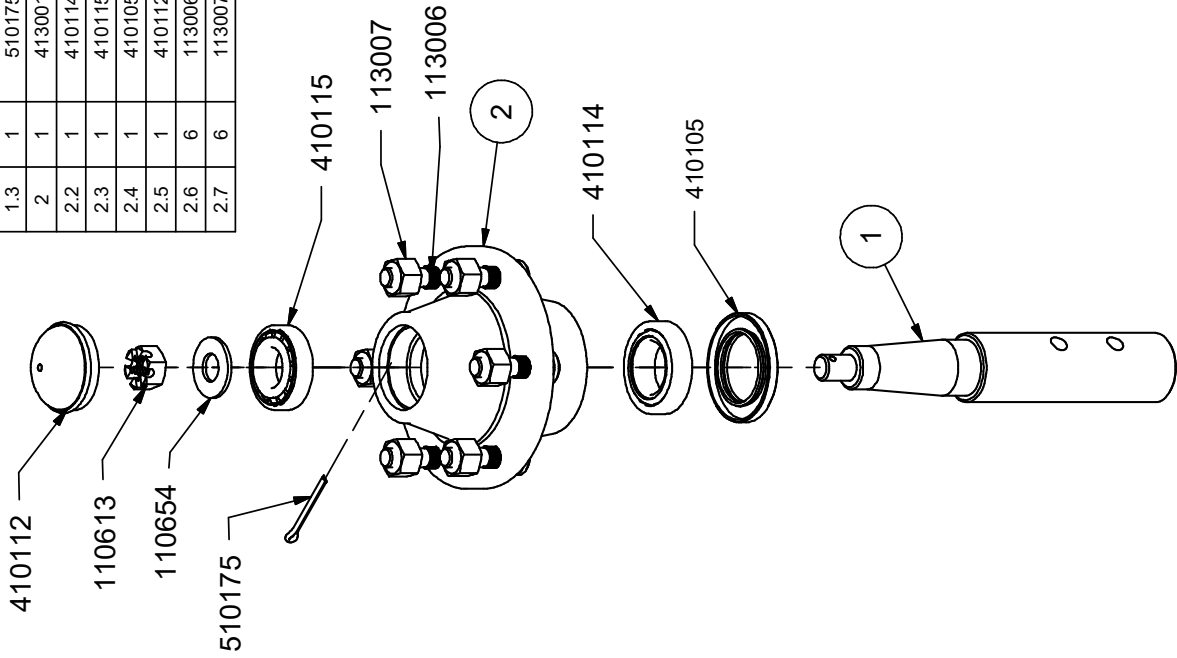
ITEM	QTY	PART #	DESCRIPTION
1	1	102124	Pin, Lock, .50 x 3, Grade 8, Single Wire
2	2	111174	SetScrew, 1/2-13 X 0.375
3	1	270032	Centering Cone
4	1	275019	Weldment, RT Reel Spinner

RT Reel Spinner



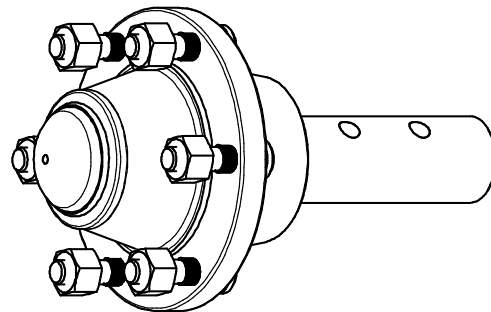
Part # 214004

ITEM	QTY	PART #	DESCRIPTION
1	1	270040	Spindle, RT Reel Spinner
1.1	1	110654	Washer, 1.75 X .815 Spindle
1.2	1	110613	NUT, CASTLE 3/4-16
1.3	1	510175	COTTER PIN, 3/16 X 2
2	1	413001	HUB COMPLETE, 35-6LM
2.2	1	410114	INNER RACE AND BEARING
2.3	1	410115	OUTER RACE AND BEARING
2.4	1	410105	SEAL
2.5	1	410112	DUST CAP
2.6	6	113006	Stud 9/16-18
2.7	6	113007	Nut 9/16-18



NOTE:
Pack bearing cones and lubricate seal lip with grease before assembly.

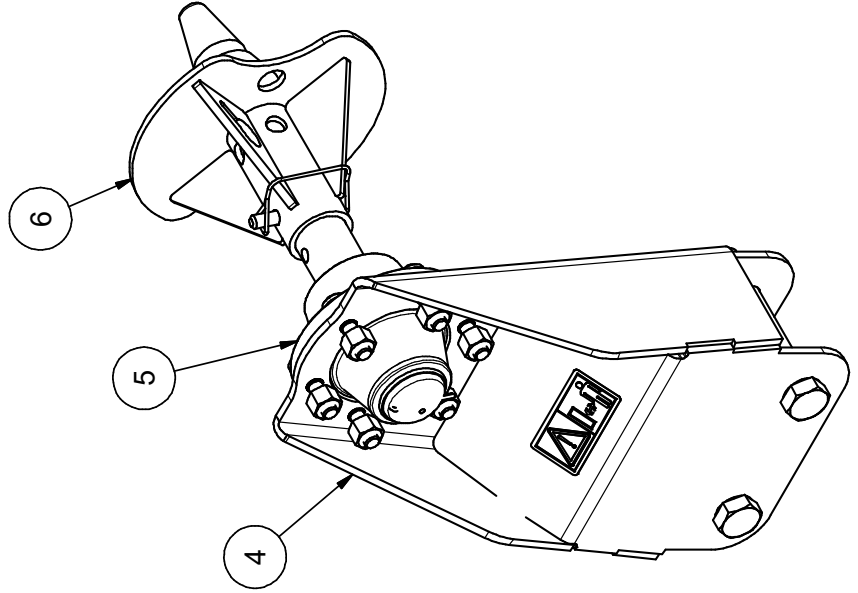
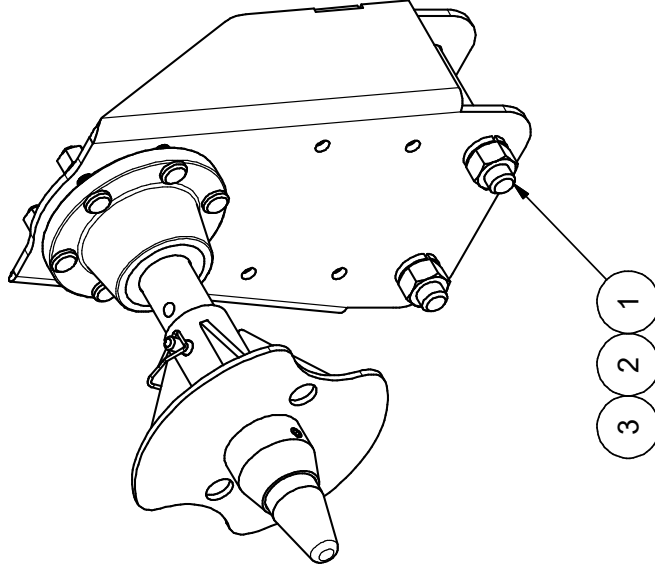
NOTE:
While rotating the rotor to ensure roper seating of the rollers, induce preload by using a torque wrench to tighten the adjusting nut to 50 foot pounds. Then loosen the adjusting nut one full turn. While continuing to rotate the rotor, re-torque the nut, this time to 10 foot pounds. Once again, loosen the adjusting nut, until the next castle opening and hole line up. Properly install and secure the cotter pin to prevent the nut from backing off.

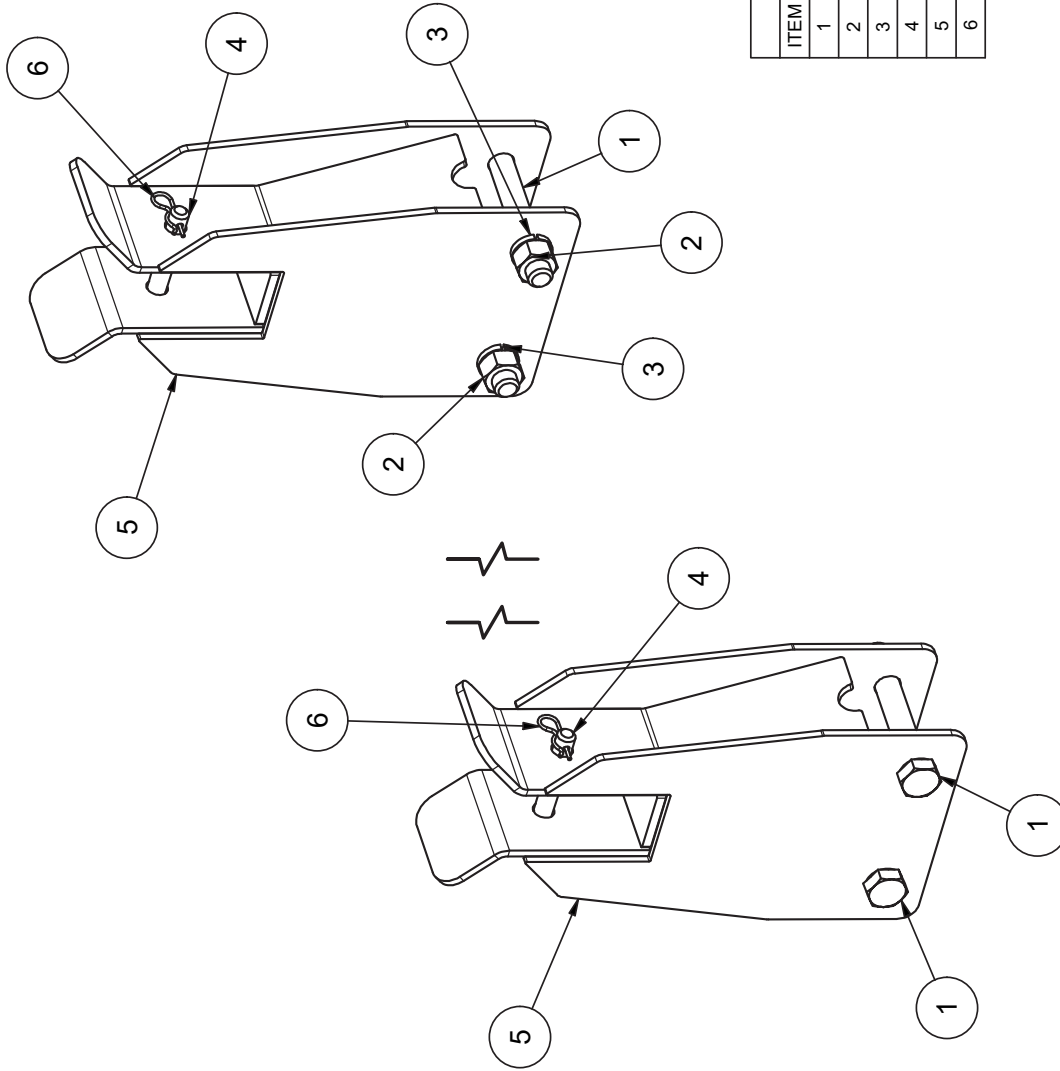


RT Spindle

Part # 205412		ITEM	QTY	PART #	DESCRIPTION
1	4	110364	BOLT, 1-8 X 7.0		
2	4	110601	NUT, 1-8		
3	4	110649	WASHER, 1" LOCK		
4	2	205413	XRT Spindle Riser, 4x4 Arm, Service Part		
5	2	214004	Spindle & Hub Assembly, RT		
6	2	214010	Spinner Assembly, RT		

XRT Spinner & Riser Assembly





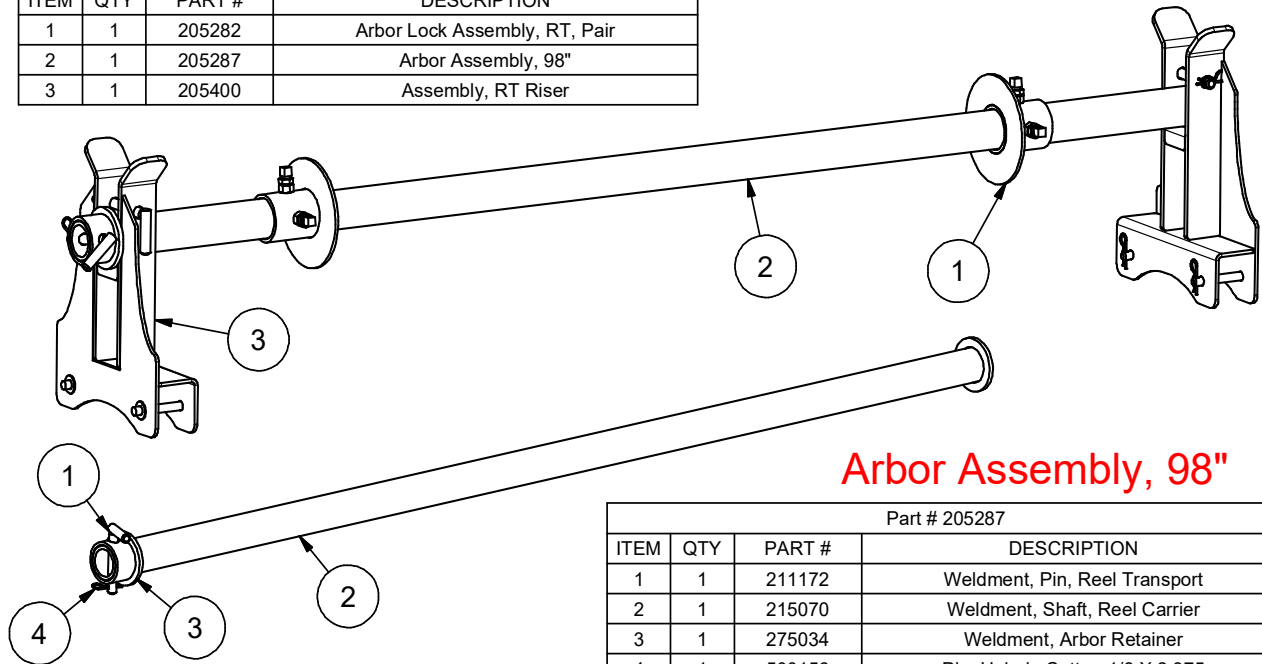
Parts List

ITEM	QTY	PART #	DESCRIPTION
1	4	110364	BOLT, 1-8 X 7.0
2	4	110601	NUT, 1-8
3	4	110649	WASHER, 1" LOCK
4	2	211172	Weldment, Pin, Reel Transport
5	2	215454	WELDMENT, XRT RISER
6	2	500156	PIN, HAIRPIN COTTER, 1/8 X 2.375

XRT Riser Assembly

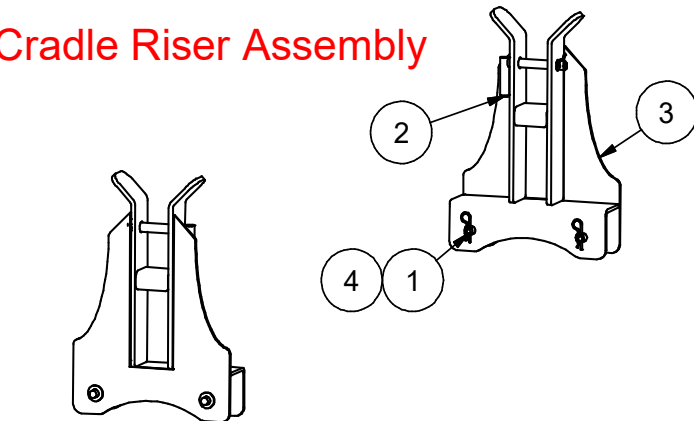
Cradle Risers, Arbor & Locks

Part # 205292			
ITEM	QTY	PART #	DESCRIPTION
1	1	205282	Arbor Lock Assembly, RT, Pair
2	1	205287	Arbor Assembly, 98"
3	1	205400	Assembly, RT Riser



Part # 205287			
ITEM	QTY	PART #	DESCRIPTION
1	1	211172	Weldment, Pin, Reel Transport
2	1	215070	Weldment, Shaft, Reel Carrier
3	1	275034	Weldment, Arbor Retainer
4	1	500156	Pin, Hairpin Cotter, 1/8 X 2.375

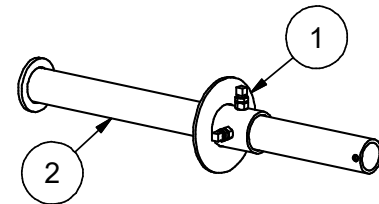
Cradle Riser Assembly



205400			
ITEM	QTY	PART #	DESCRIPTION
1	4	211171	Weldment, Pin, Reel Transport
2	2	211172	Weldment, Pin, Reel Transport
3	2	215442	WELDMENT, RT RISER
4	6	500156	Pin, Hairpin Cotter, 1/8 X 2.375

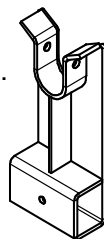
Arbor Lock Assembly

Part # 205282			
ITEM	QTY	PART #	DESCRIPTION
1	2	275024	Weldment, Arbor Lock, 3"
1.1		110039	NUT, 5/8-11 JAM
1.2		110147	Set Screw, 5/8-11 X 1 1/2 Sq Hd

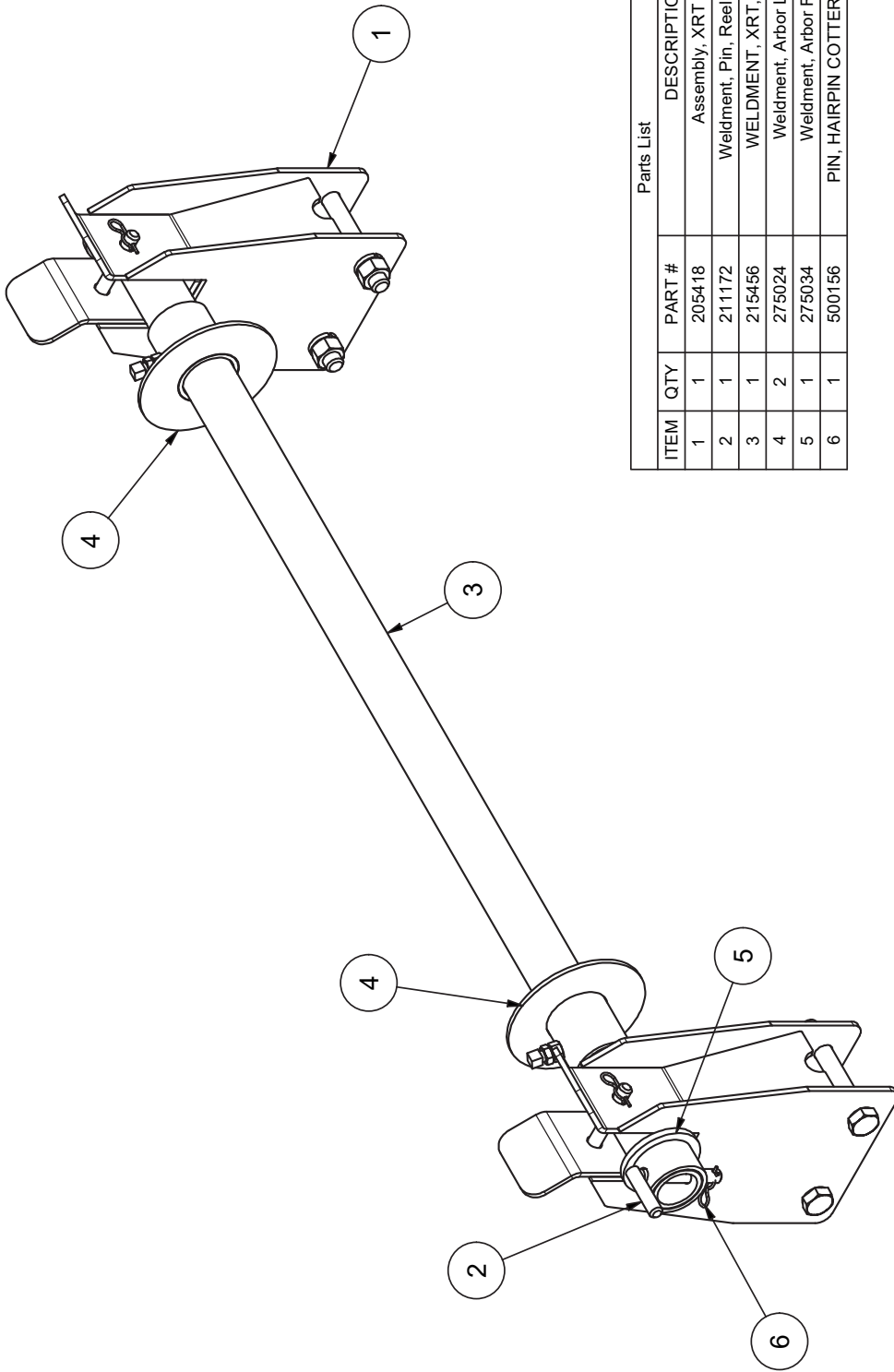


205401			
ITEM	QTY	PART #	DESCRIPTION
1	1	275024	Weldment, Arbor Lock, 3"
2	1	275047	Weldment, RT Arbor Adapter

*** Old Cradle (211229) is Obsolete.
 If Replacing Will Need
 Pair of New Style (205400).
 Pins are the same.



6/14/2022



Parts List

ITEM	QTY	PART #	DESCRIPTION
1	1	205418	Assembly, XRT Riser
2	1	211172	Weldment, Pin, Reel Transport
3	1	215456	WELDMENT, XRT, ARBOR
4	2	275024	Weldment, Arbor Lock, 3"
5	1	275034	Weldment, Arbor Retainer
6	1	500156	PIN, HAIRPIN COTTER, 1/8 X 2.375

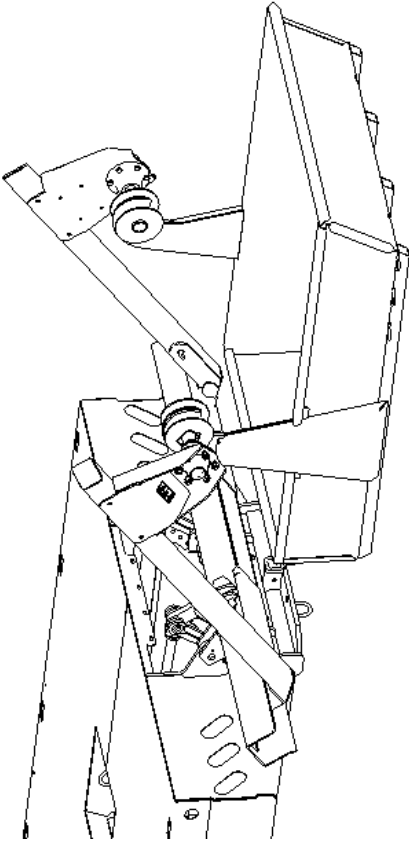
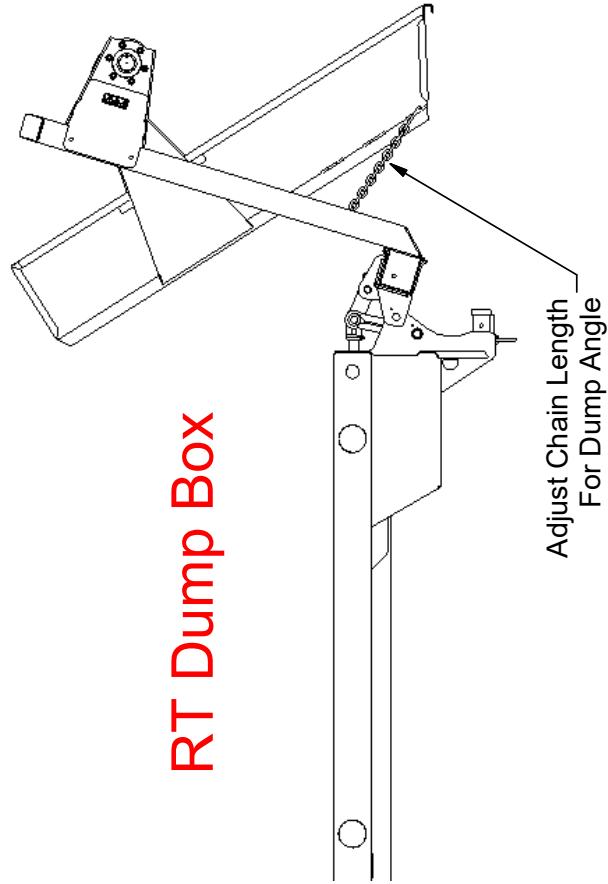
XRT Cradle Riser, Arbor, & Locks

	205497	REV: NC	
Parts List			
ITEM	QTY	PART #	DESCRIPTION
1	2	110046	WASHER, 7/8" FLAT SAE
2	2	110305	Pin, Lynch 7/16 x 1 3/4
3	3	211172	Weldment, Pin, Reel Transport
4	1	265230	Weldment, Drop Cradle Arbor
5	1	265232	Weldment, Drop Cradle Right, XRT
6	1	265233	Weldment, Drop Cradle Left, XRT
7	1	275034	Weldment, Arbor Retainer
8	3	500156	PIN, HAIRPIN COTTER, 1/8 X 2.375

XRT Drop Cradle

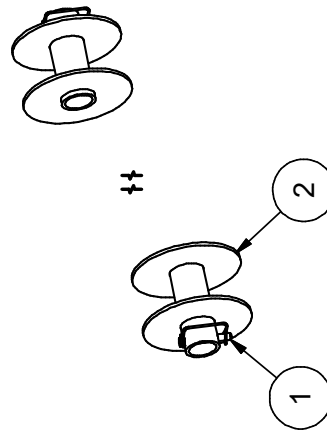
NOTE: To transfer between drop cradle and winder, reels under 32" will need to be elevated off the bed deck.

RT Dump Box



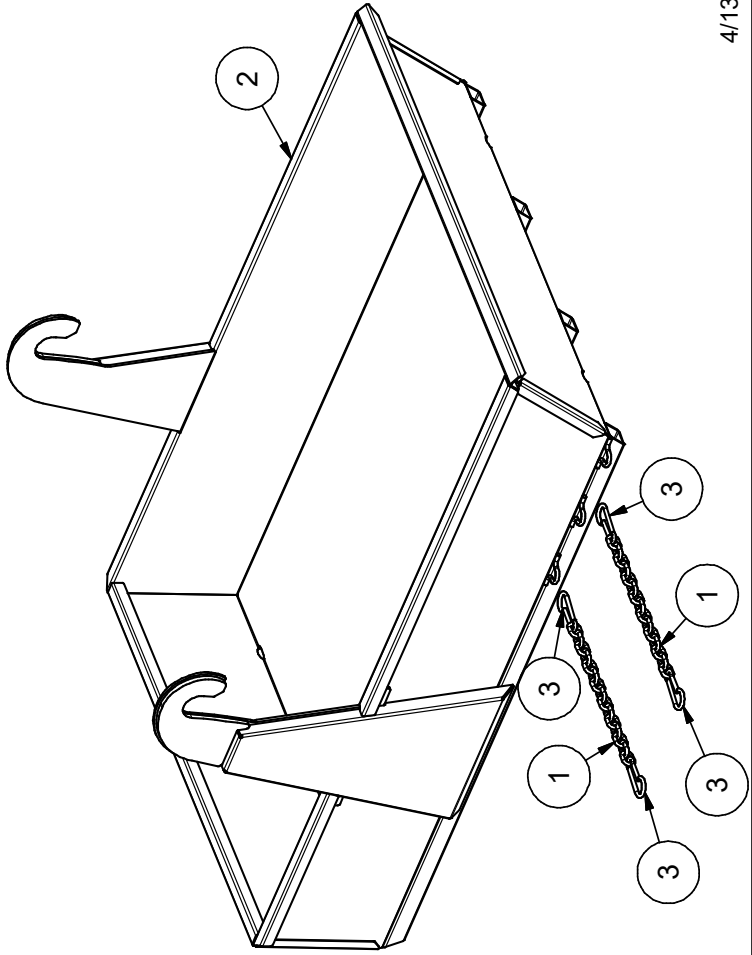
Part# 205378

ITEM	QTY	PART #	DESCRIPTION
1	2	270076	Chain, 3/8 Coil, 15 Links
2	1	275028	Weldment, RT Dump Box
3	4	902208	Carabiner, 3/8", Zinc



Part# 205383

ITEM	QTY	PART #	DESCRIPTION
1	2	102124	Pin, Lock, .50 x 3, Grade 8, Single Wire
2	2	275029	Weldment, RT Dump Box Spinner



4/13/2021

GatorHyde Repair Instructions



Required items:

- 1 – 25 x 25 ml caulking gun (202030)
- 1 – 25 x 25 ml cartridge set of GatorHyde Repair Material (202031)
- 1 – pair of rubber gloves
- 1 – wooden stick
- 1 – Instruction sheet and MSDS sheet
- 1 – MEK – methyl ethyl ketone solvent (available at most hardware stores)
- 1 – small paint brush
- 2 – plastic cups

Note:

This repair is designed to easily fix small, damaged areas fast and with limited amount of effort. However this product is fast reacting so make sure to thoroughly read this instruction sheet before proceeding with repairs.

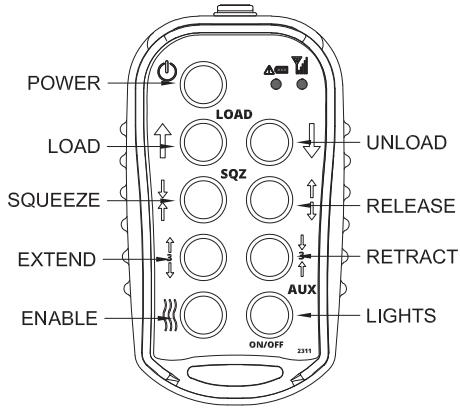
⚠ SAFETY WARNING!
Read the Master Safety Data Sheets (MSDS) on all chemicals before handling any chemical.
See: <http://www.msds.com>

Application Instruction:

- Step 1.** Before you start, put on rubber gloves and safety glasses.
 - Step 2.** Place a piece of cardboard or newspaper next to the repair area prior to opening and mixing the material.
 - Step 3.** Cut back damaged area with a razor knife to make a square.
 - Step 4.** Sand area and feather edges with 40 grit sandpaper. Blow out sanded area to get rid of dust.
 - Step 5.** Clean area well with MEK solvent and allow to dry for 30 minutes.
 - Step 6.** Attach static mixing wand to 25 x 25 ml cartridge set, twist and lock in place. Insert cartridge into caulking gun.
 - Step 7.** Hold the caulking gun in an upright position in one hand, then set the two plastic cups on a flat surface side by side. Next point the static mixing wand into a cup and squeeze the trigger of the gun two times so a small amount of material is discharged into the cup. (Note! This material is to be discarded.) Immediately move the static mixing wand over and point it into the next cup and continue to discharge the remaining amount of material into this cup.
 - Step 8.** Allow the material to set in cup and gently stir with wooden stick for a period of 1 to 1 ½ minutes or until the GatorHyde becomes thicker and will stick to either a finger or wooden stick.
 - Step 9.** Once material has begun to gel, apply enough product to finger or a stick and immediately dab onto damaged area. Use the paint brush to dab the area in a vertical manner to make a textured surface.
- Cure time.** Allow repaired area to cure for a period of 1 hour prior to heavy impact loading.
- Clean-up.** In order to clean up the area take a paper sack or plastic trash bag and place all the empty jars and remaining contents of the repair kit and dispose into a standard trash can or simply put everything back in the box and throw away.

GatorHyde Protective Coatings, Inc., 2210 South Highway 69, Wagoner, OK 74467 * (918) 485-2835 *
www.gatorhyde.com

Appendix II



Remote Control

SYNCHRONIZING TRANSMITTER AND RECEIVER

To teach the transmitter ID code to the receiver, use the following procedure:

1. Make sure the receiver and transmitter are OFF.
2. Press & hold button 1 and 8 (as shown) then press Power button until both LEDs blink. Release buttons.
3. Apply power to the receiver.
4. Wait for ~5 seconds or until the green LED on the transmitter blinks rapidly.
5. Teach complete.

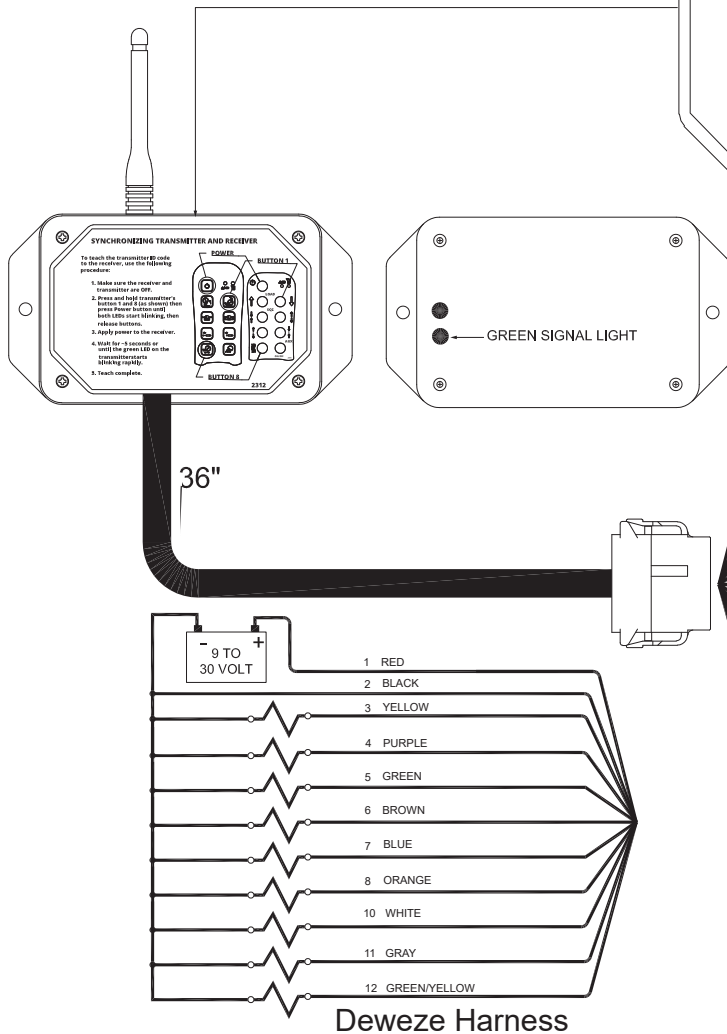
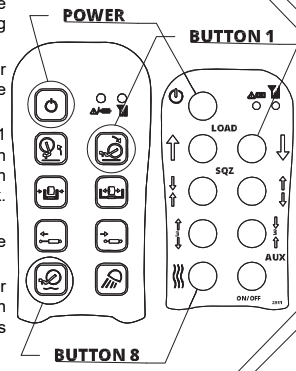
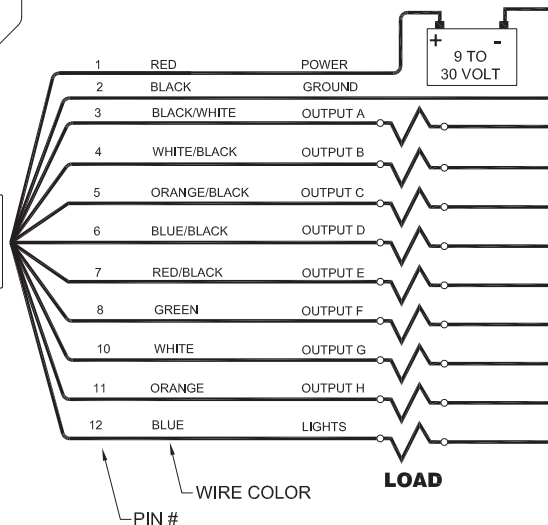
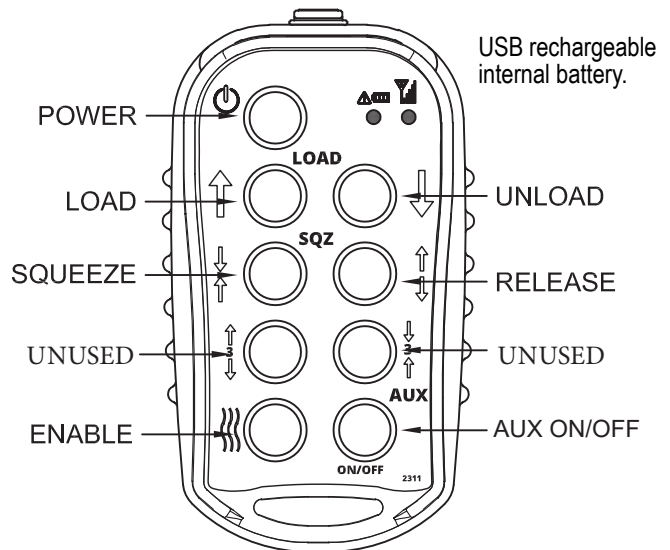
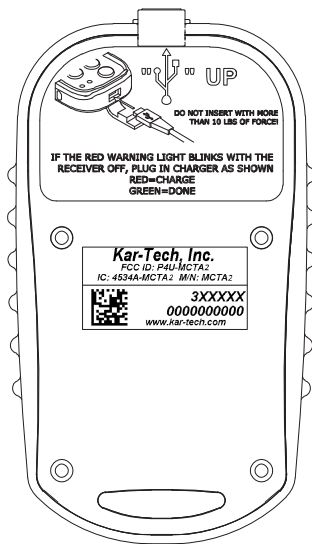


FIG. 1: RECEIVER WITH COVER REMOVED





SYSTEM OPERATION:

Press and hold the power button on the transmitter until both LEDs turn on, then release. The green LED will flash rapidly when communication has been established. When the receiver is off, the red LED will flash slowly indicating this. With the receiver on, press the corresponding buttons on the transmitter keypad to turn on and off each of the outputs.

INDICATOR LIGHTS:

The transmitter has two LED indicators, the red BATTERY/DIAGNOSTIC indicator and the green TRANSMIT indicator. The green TRANSMIT indicator flashes rapidly whenever there is communication between the transmitter and the receiver. The red BATTERY/DIAGNOSTIC indicator blinks once per second when the battery voltage is low. It also blinks when there is a problem with the system in the form of an error code. Refer to the ERROR CODE CHART tables for more information.

Note: To check for low battery, turn the receiver off and leave the transmitter on. If the transmitter red LED continues to blink, the battery is low. If the red LED blinks only when the receiver is ON, count the number of blinks and refer to the ERROR CODE CHART.

SLEEP TIME:

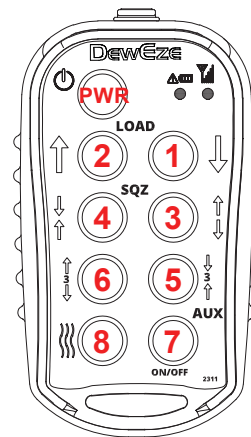
The transmitter is factory set to turn off (sleep) after 15 minutes. Use the following procedure to change the time before sleep mode.

1. Press and hold SQUEEZE, RELEASE, ENABLE & POWER (~5 sec) Both lights should blink once per second. Release the buttons.
3. Adjust SLEEP with the following buttons:
 - a. UNLOAD = 15 min
 - b. LOAD = 30 min
 - c. RELEASE = 1 hr
 - d. SQUEEZE = 2 hr
 - e. ENABLE = sleep disabled.

RT/XRT PROGRAM (set at the factory)
POWER OFF - Receiver & Transmitter
POWER ON - Transmitter
HOLD buttons 1, 4 & 8 until RED light blinks
POWER ON - Receiver
PRESS Button 8 .
PRESS transmitter PWR button to save selection and exit config mode.

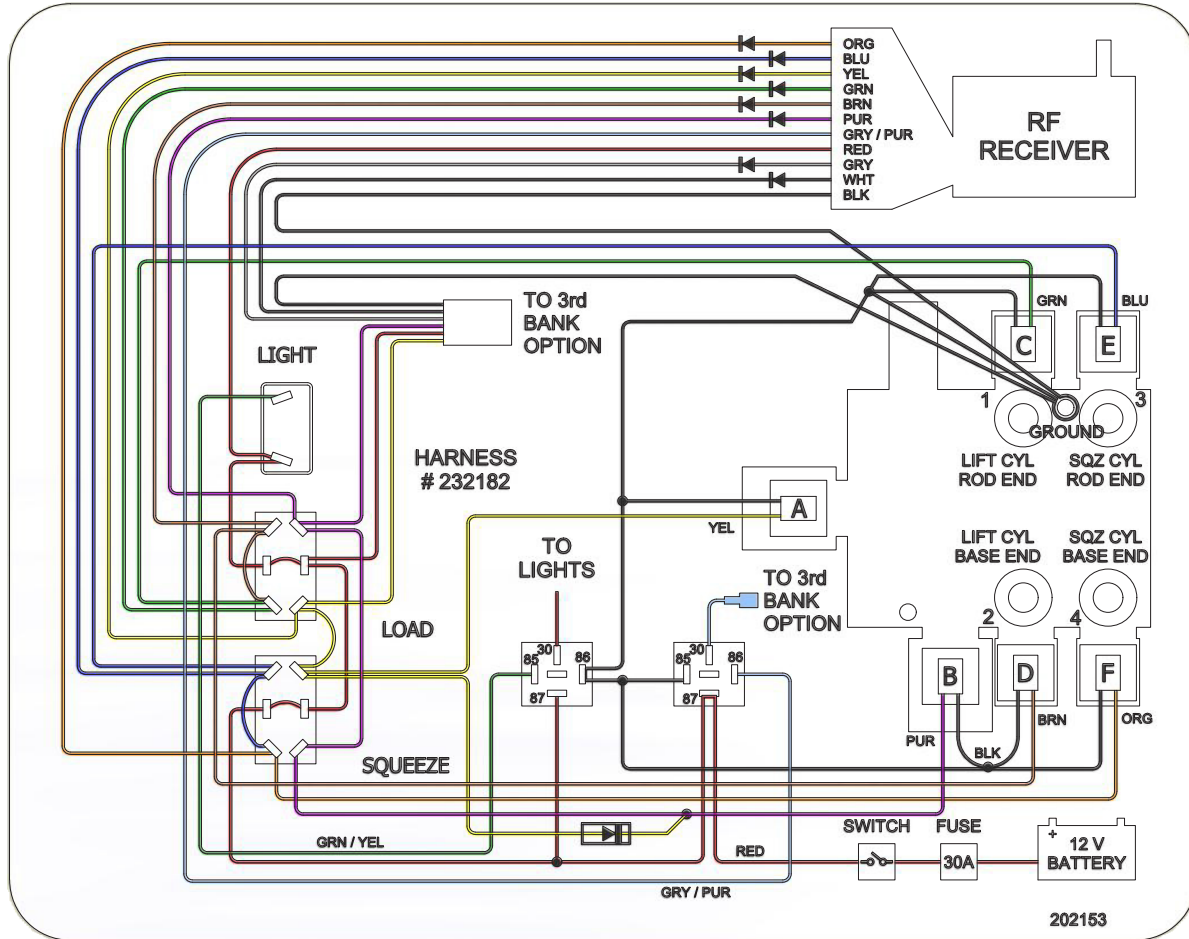
SPECIFICATIONS

- Electrical:
 - RF Transmit power (EIRP): 10 mW
 - RF Frequency: 902-928 MHz
- Transmitter:
 - Power: 3.7 Lithium battery
 - Operation time: 16 to 17 hours continuous
- Receiver:
 - Power 9 to 30 VDC
 - Outputs: 5A max each (20A system max)
- Environmental:
 - Transmitter: 0°F to 131°F Receiver: -40°F to 185°F



2 Bank Wiring, Reel Transport, Enable Function

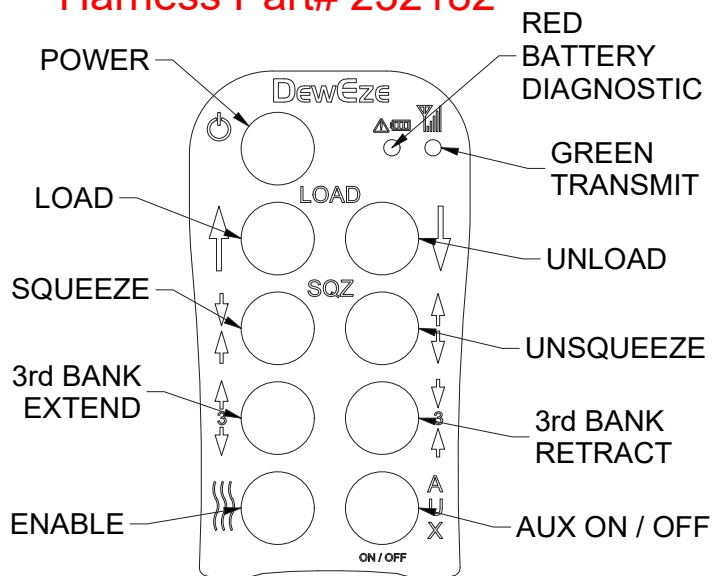
Gen 3 Double Poppet, Deutsch



Decal Part# 202153

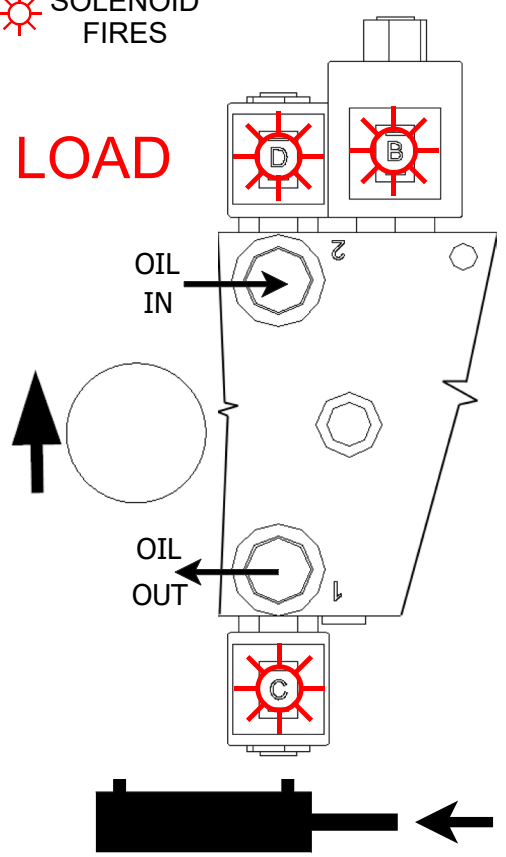
Harness Part# 232182

DOUBLE POPPET VALVE	
FUNCTION	COILS
LOAD	B, C & D
UNLOAD	B, C, D & A
SQUEEZE	B, E & F
UNSQUEEZE	B, E, F & A
202052	

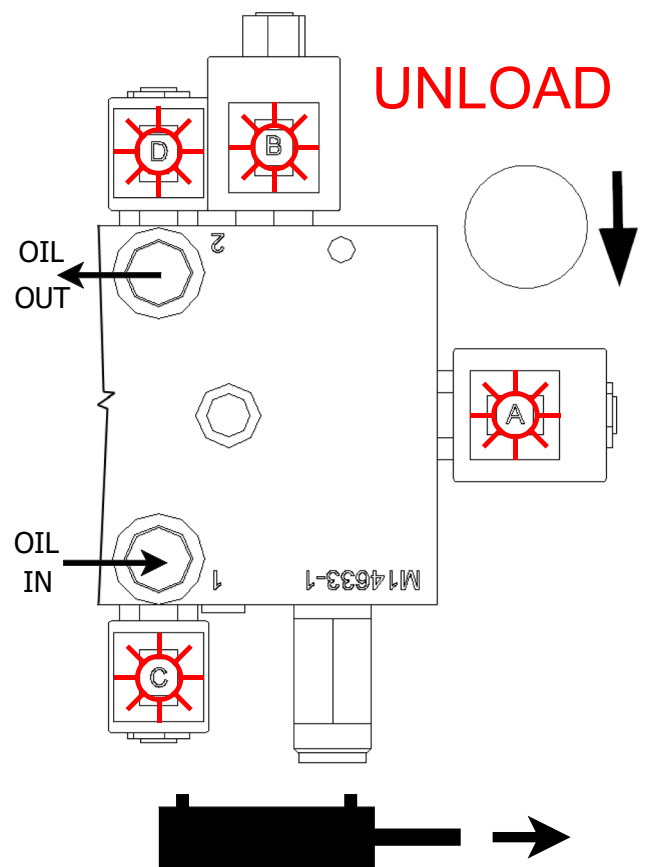


 SOLENOID FIRES

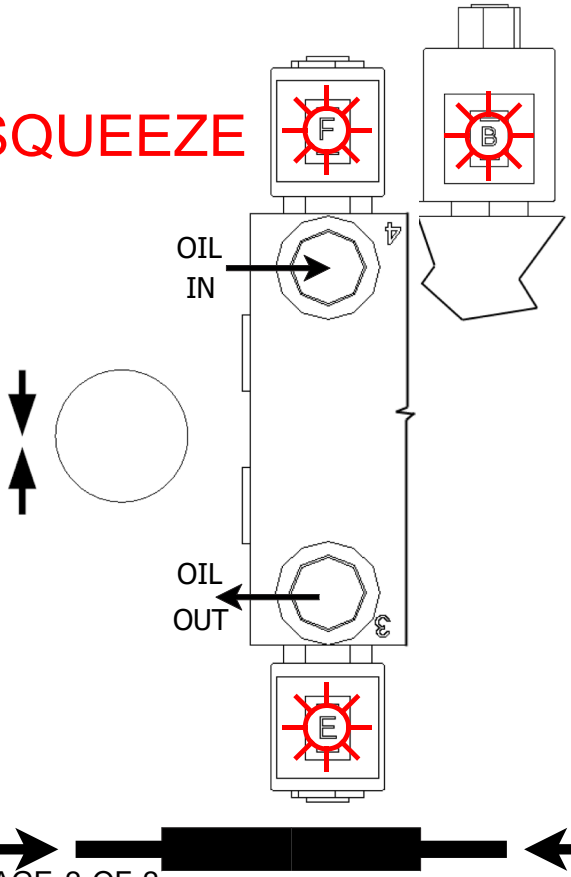
LOAD



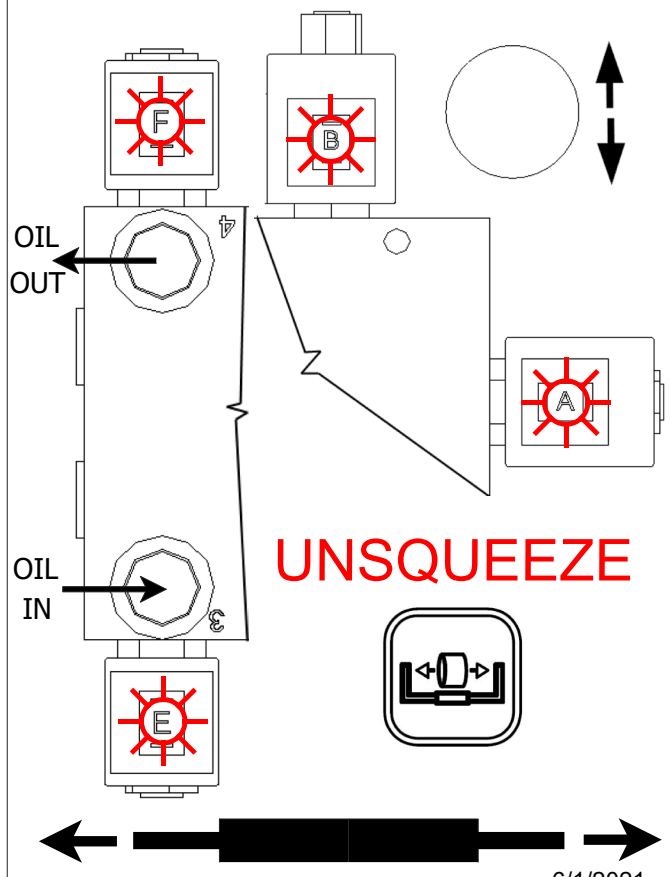
UNLOAD



SQUEEZE

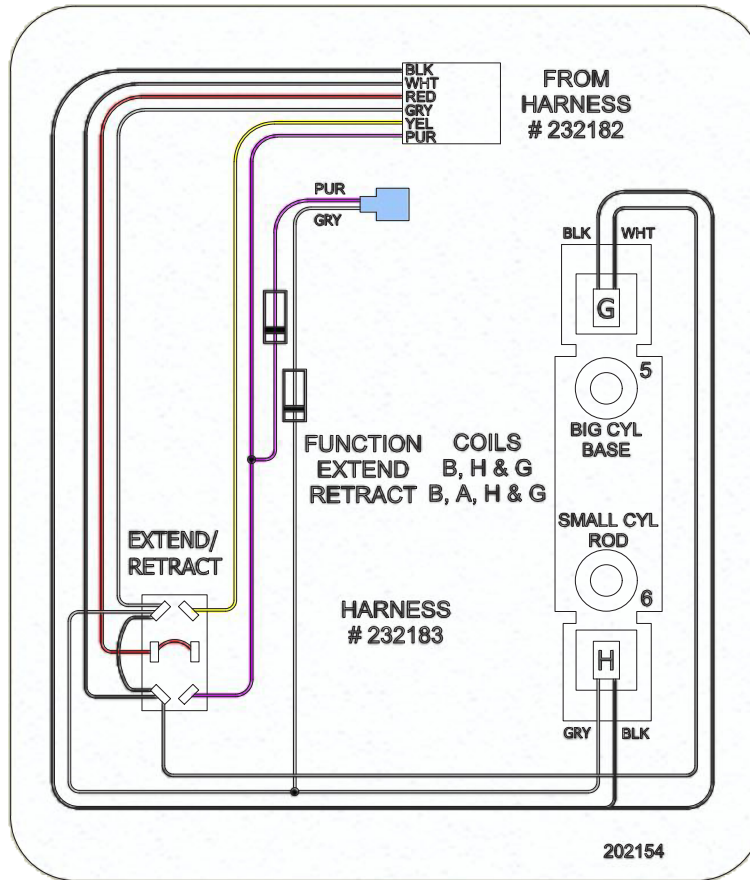


UNTSQUEEZE



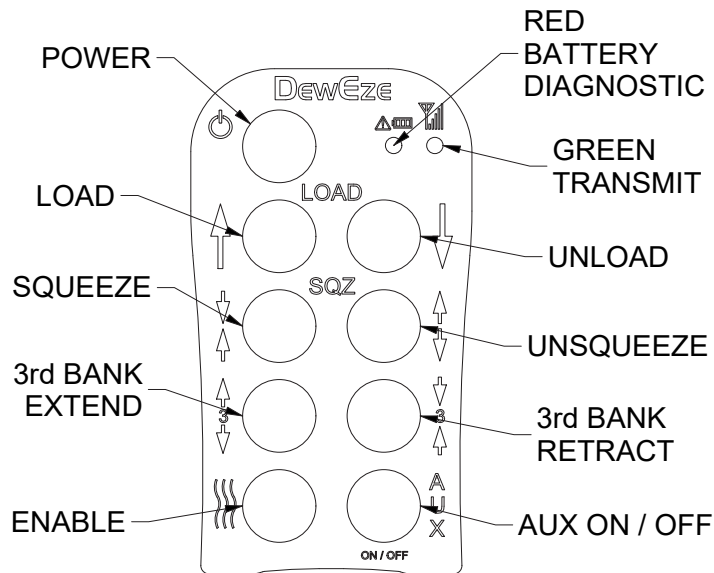
3rd Bank Wiring, Reel Transport, Enable Function

Gen 3 Double Poppet, Deutsch

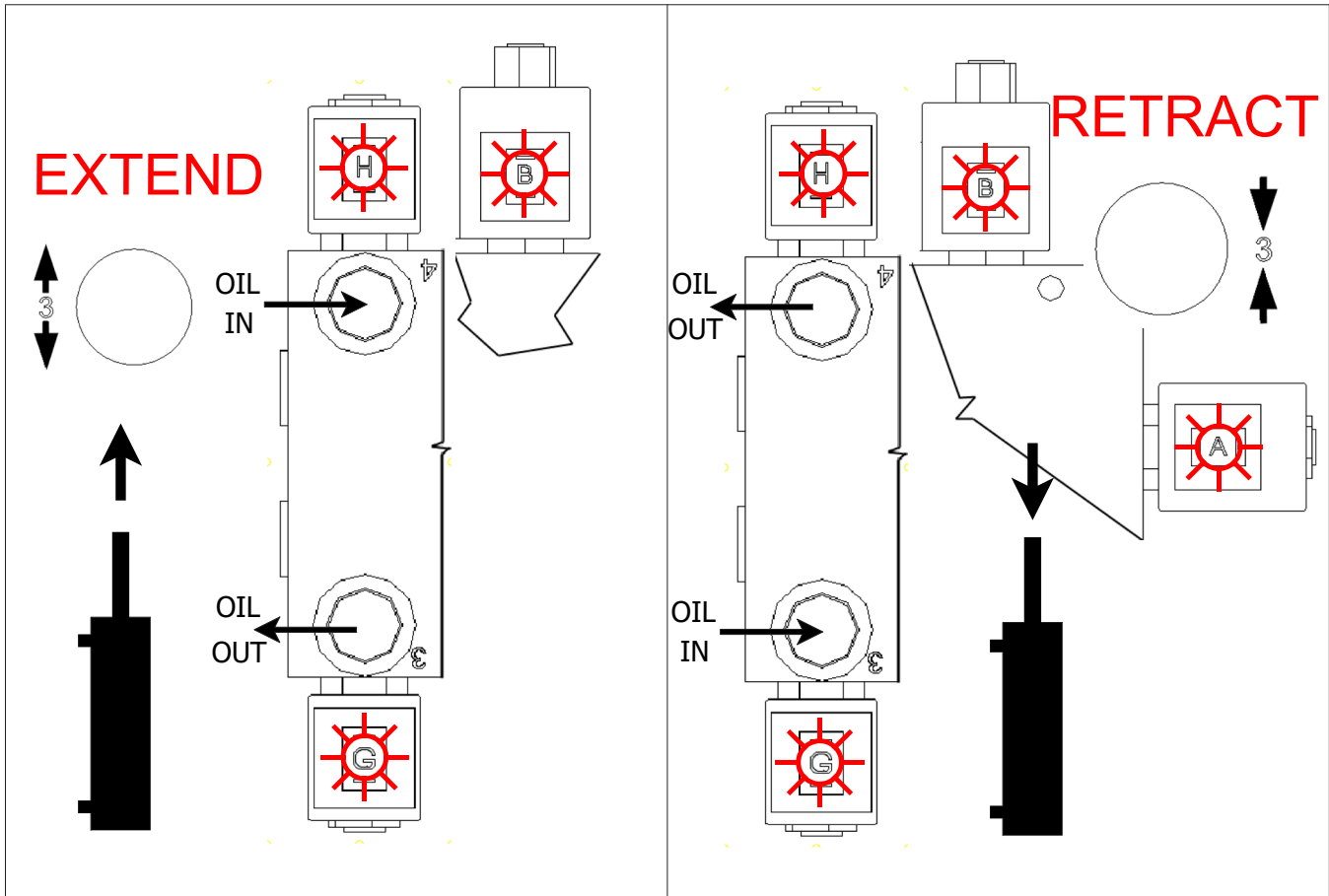


Decal Part# 202154

Harness Part# 232183



6/1/2021



ENABLE

Enables other buttons for 5 seconds to engage respective outputs

AUX ON / OFF

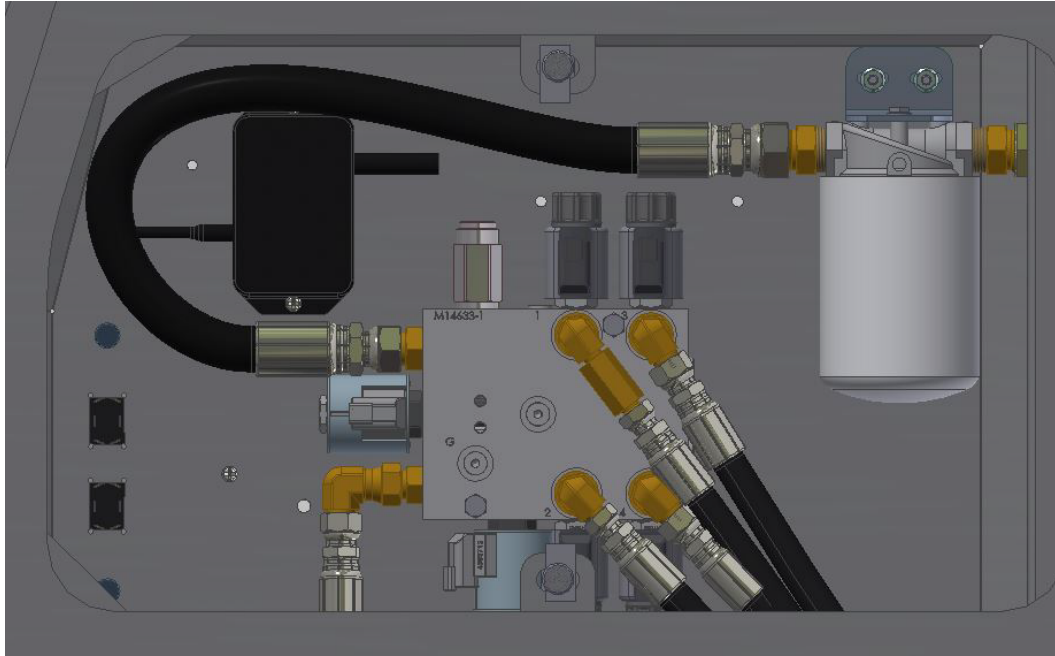
3rd Bank Latching
Latches 3rd bank in on position for operating winder function

6/1/2021

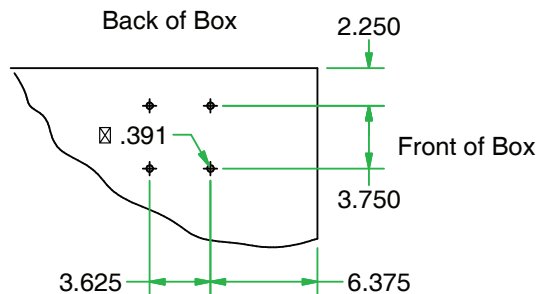
Appendix III

E / H KIT INSTALLATION INSTRUCTIONS

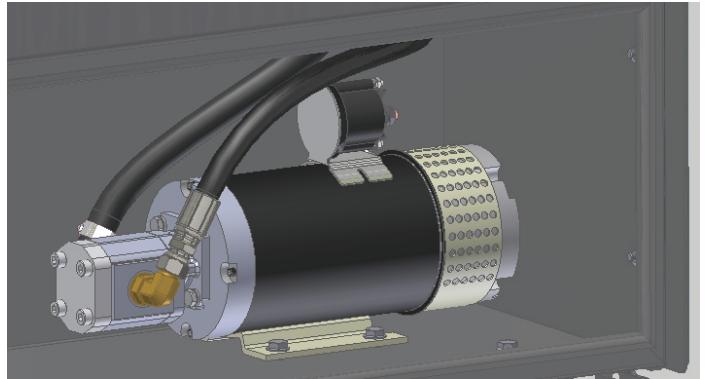
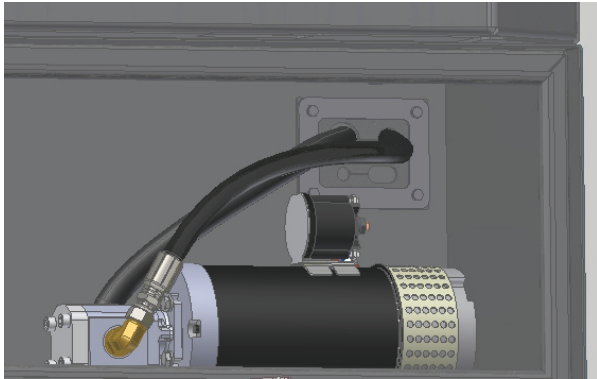
* Read all instructions first.



1. Attach adapters to valve and install inside cavity on headache rack.
2. Attach valve harness per diagram on decal.
3. Attach return hose to valve and filter housing. Attach pressure hose from pump.
4. Attach 1/2" hoses from squeeze cylinder to valve ports #3 & #4.
5. Attach 3/8" hoses from lift cylinder to valve ports #1 & #2.
6. Use cover plate to locate cutout in right side toolbox.
7. Use access cover or edge molding to protect hoses.
8. Drill holes for 3/8" bolts as indicated and bolt pump to inside of toolbox.



9. Attach purple switch wire from valve harness.
10. Attach 30-amp fuse holder to positive terminal on battery, run wire through switch on dash and then to the red wire on the harness.



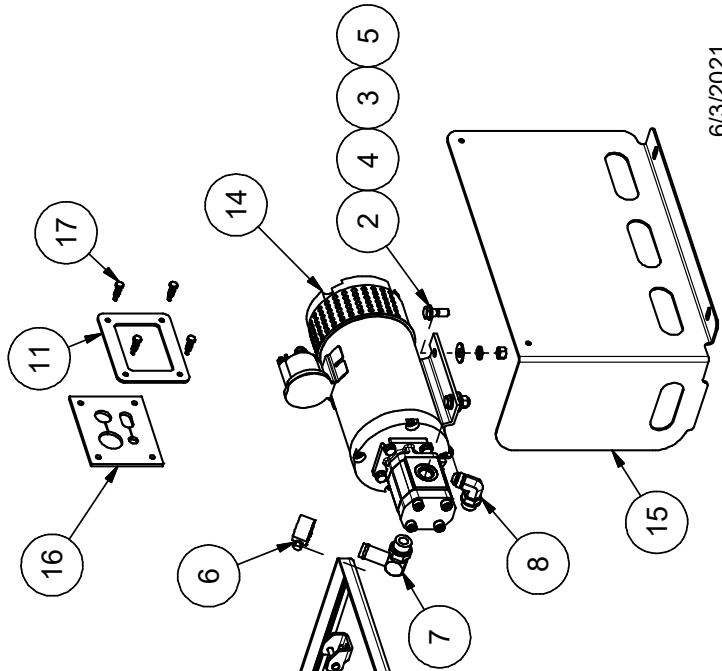
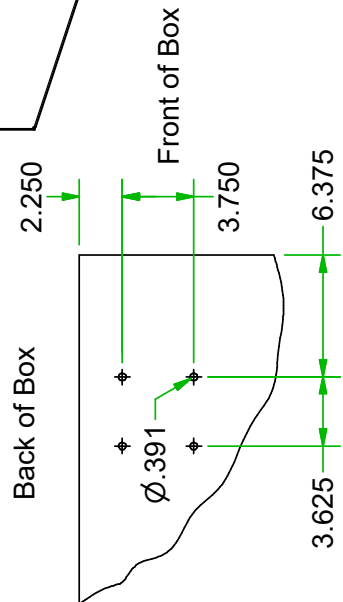
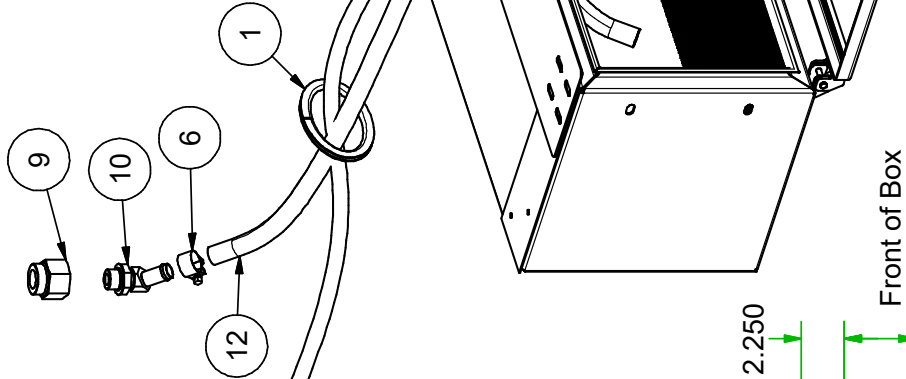
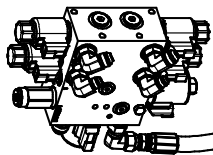
11. Attach suction hose and pressure hose to pump with adapters provided.
12. Attach suction hose to bottom of reservoir.
13. Run battery cables through hole in toolbox and attach to E/H motor as indicated.
14. Run battery cables along frame rail and attach black cable to negative terminal on battery.
15. Attach 200-amp fuse holder to positive battery terminal.
16. Insert 200-amp fuse.
17. Attach red cable from E/H on top of “ice cube” fuse. Install rubber cap.

If installing the 735021 Switch Unit — Read the E/H Hybrid specific instructions first.

Heavy Duty E/H

Parts List

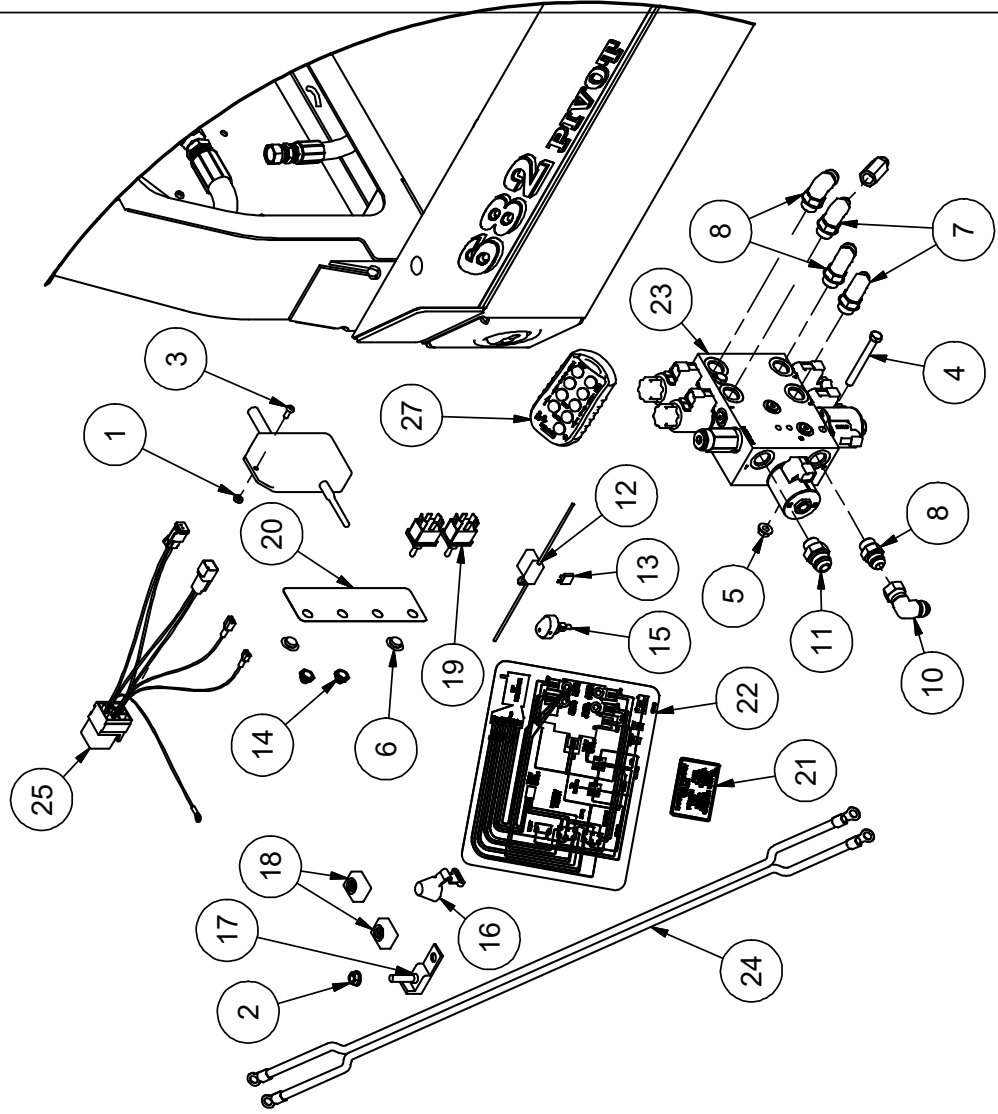
ITEM	QTY	PART #	DESCRIPTION
1	21 in	100365	EDGE TRIM
2	4	110440	BOLT, 3/8-16 X 1, W/Z FLANGE
3	4	110672	WASHER, 3/8" LOCK
4	4	110676	WASHER, 3/8" FLAT STANDARD
5	4	110826	NUT, 3/8-16 GR 5
6	2	112136	Clamp, 3/4" T-Bolt, Supra W/2-120
7	1	120184	ADAPTER, 12BH-10MB90
8	1	120288	ADAPTER, 8MJ-8MB90
9	1	120544	ADAPTER, 20MB-12FOR
10	1	120545	ADAPTER, 12BH-12MB 45°
11	1	211849	ACCESS COVER FRAME
12	1	220603	HOSE, SUCTION, .75 X 54
13	1	220738	Hose, Pressure HD E/H
14	1	230159	E/h Motor Pump/unit, Heavy Duty 12V
	1	232102	Strap, Motor-Solenoid Connecting
	1	232103	Solenoid, 4 Post, 12VDC Contactor
15	1	260400	Shield, HD, E/H
16	1	260401	Access Cover, HD E/H
17	4	710586	SCREW, 1/4 X 1 TEK SELF-TAP



6/3/2021

RT Heavy Duty E/H, W/Remote Part # 205384		
ITEM	QTY	PART # DESCRIPTION
1	3	110119 NUT, 10-24 LOCK
2	1	110141 NUT, M8 X 1.25 WIZFLANGE
3	3	110264 BOLT, 10-24 X .5 STAINLESS, PHILLIPS
4	2	110538 BOLT, 5/16-18 X 3.0
5	2	110606 NUT, 5/16-18 WIZ FLANGE
6	2	120753 PLUG, 1/2" BUTTON PLASTIC
7	2	120134 ADAPTER, 6MJ-8MB90
8	1	120277 ADAPTER, 8MJ-8MB
8	1	120288 ADAPTER, 8MJ-8MB90
10	1	120368 ADAPTER, 8MJ-8FJX90
11	1	120493 ADAPTER, 10MJ-8MB
12	1	132001 FUSE HOLDER, ATC, 14 GA., MINI
13	1	132002 FUSE, MINI 30 AMP
14	3	132035 SWITCH BOOT
15	1	132044 Switch, Spst, Rocker Led
16	1	132092 FUSE COVER, BUSS CFCOVER-1R
17	1	132093 FUSE HOLDER, BUSS CFBAR1-M8XSP
18	2	132094 FUSE 200 AMP, BUSS MRBF-200
19	2	132127 Switch, Toggle, DPDT, (On)-OFF-(ON)
20	1	202003 DECAL, SWITCH IDENTIFICATION
21	1	202052 Decal, Double Poppet Valve
22	1	202153 Decal, Wiring Diagram, RT Valve
23	1	223044 Flatbed Valve, Small, Monoblock Ver II
24	1	230155 BATTERY CABLE, 2GA TWIN LEAD, 186"
25	1	232115 Harness, Flatbed Valve, E/H Control
26	1	232182 Harness, Reel Transport, 2 Bank
27	1	233012 Transmitter & Receiver, Macro, Kar-Tech
	1	232245 Charging Cable, USB 2.0 A to Micro B, 3'

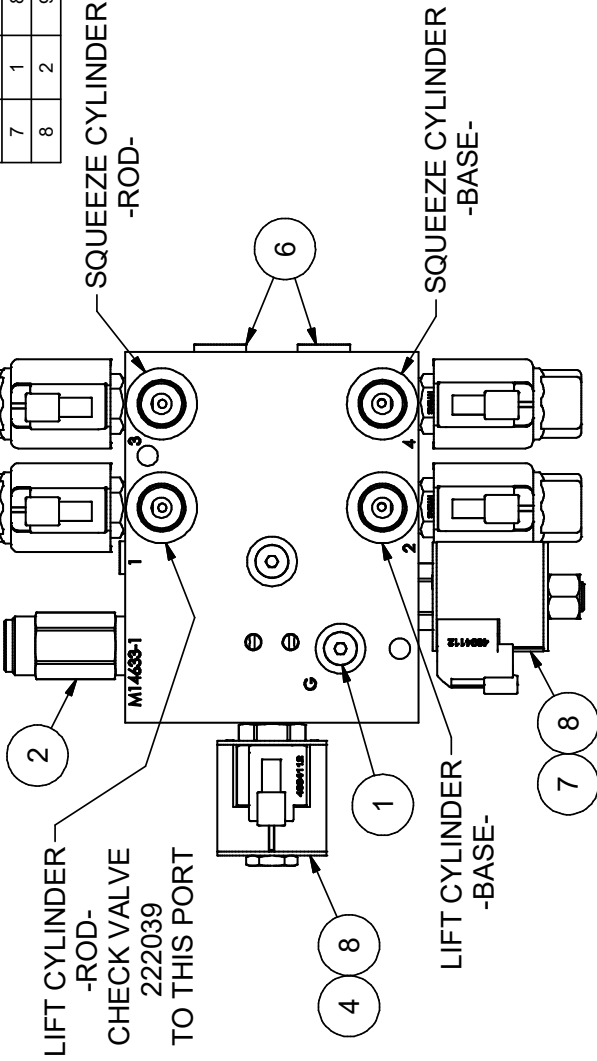
**Heavy Duty E/H Kit
W/ Remote
W/ Enable Function**



**Flatbed Valve
-08 Hydac Deutsch
Service Parts**

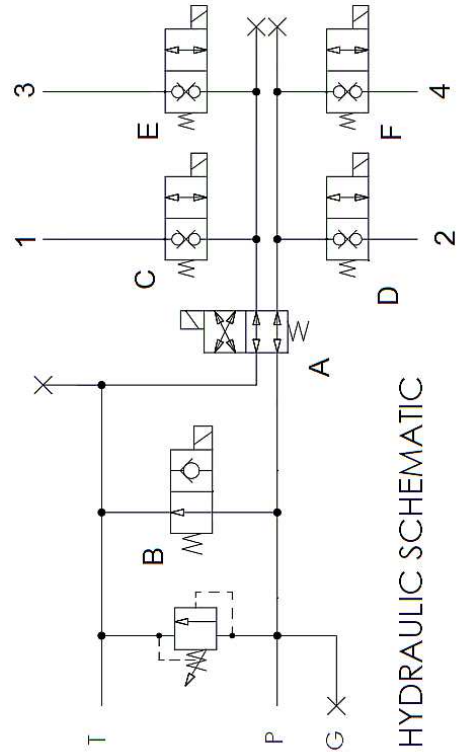
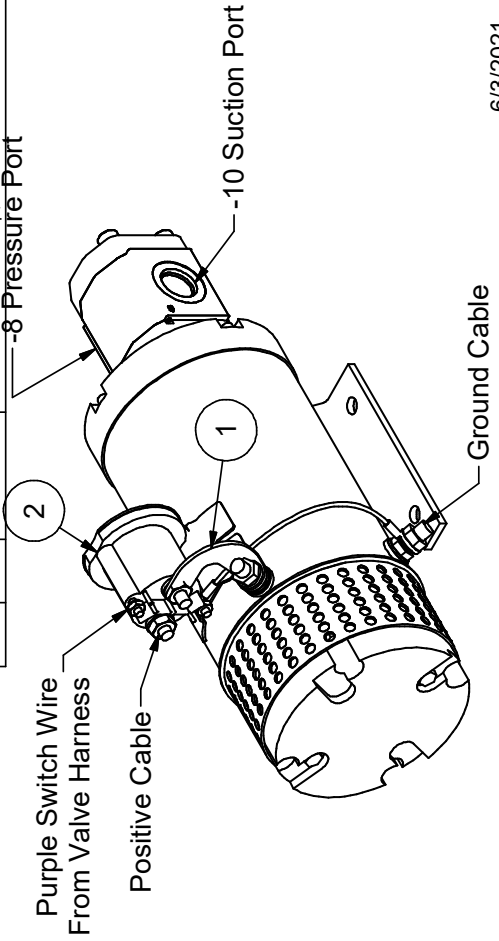
Flatbed Valve, Small, Hydac Deutsch P/N 223044

ITEM	QTY	PART #	DESCRIPTION
1	3	120062	O-Ring Plug, #4 7/16-20
2	1	222004	Valve, Pressure Relief
3	4	222010	Cartridge, #8 HYDAC Double Poppet
4	1	222045	#10 SOLENOID, 2 POSITION 4 WAY
5	4	222059	Coil, #8 Hydac, DT04-2P Suppressed
6	2	720164	O-Ring Plug, #8 3/4-16
7	1	820232	Spool, #10 Valve
8	2	922119	Coil, #10 Hydratorce, DT04-2P Suppressed



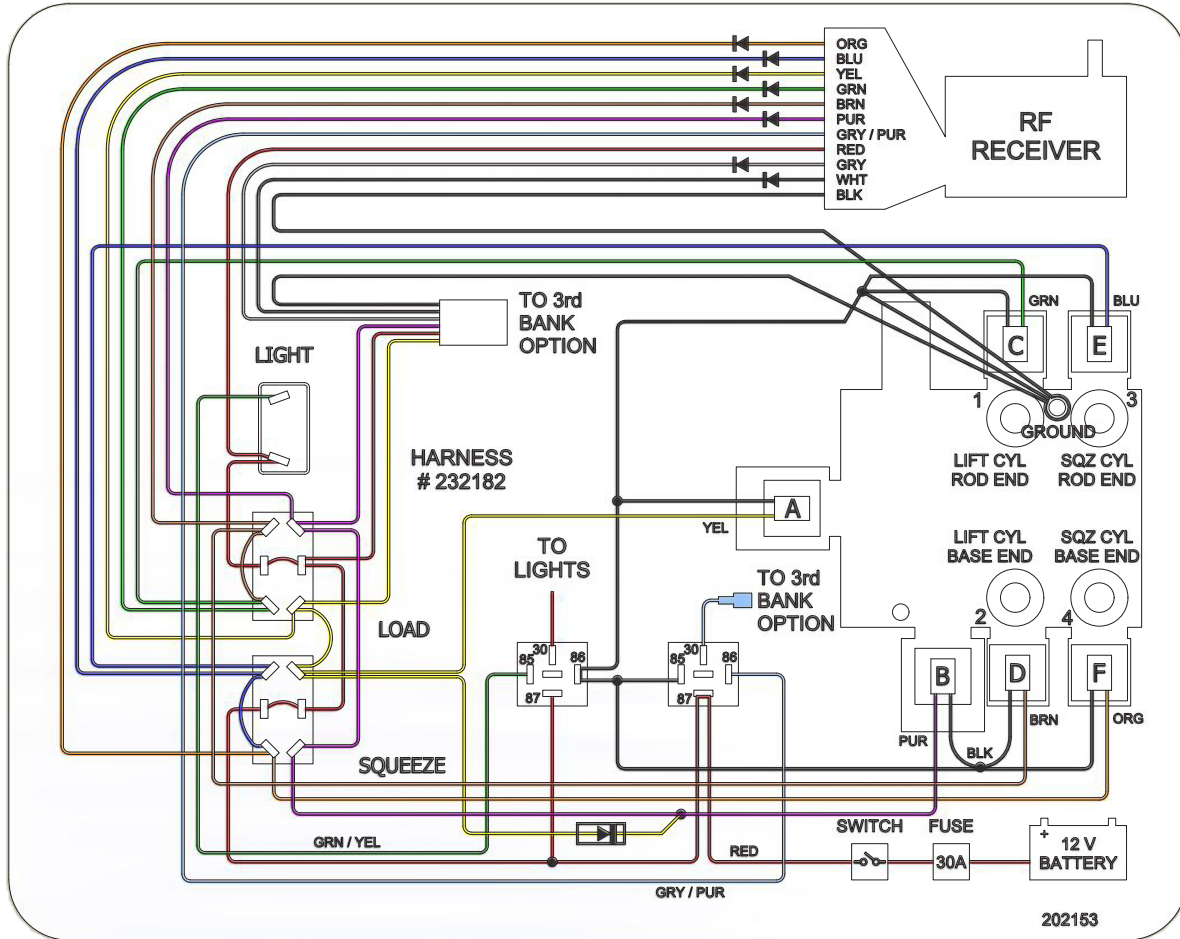
**Heavy Duty E/H
Motor & Pump**

ITEM	QTY	PART #	DESCRIPTION
1	1	232102	Strap, Motor-Solenoid Connecting
2	1	232103	Solenoid, 4 Post, 12VDC Contactor
3	1	222103	Pump, HD EH



2 Bank Wiring, Reel Transport, Enable Function

Gen 3 Double Poppet, Deutsch

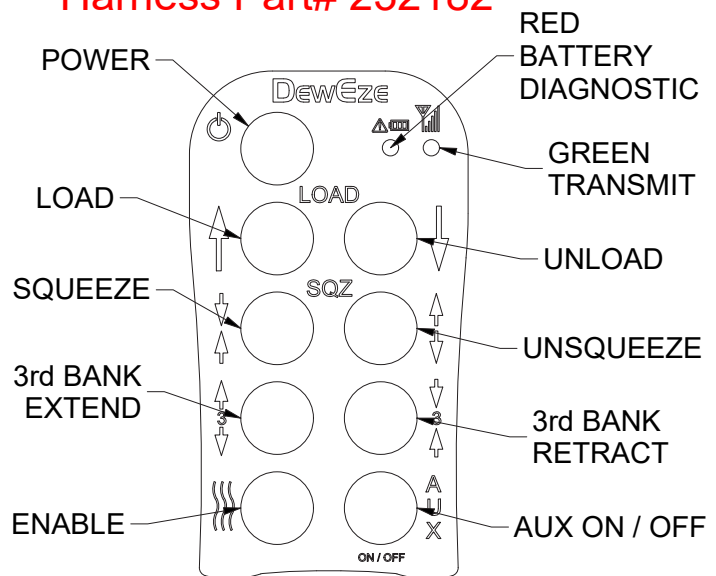


Decal Part# 202153

Harness Part# 232182

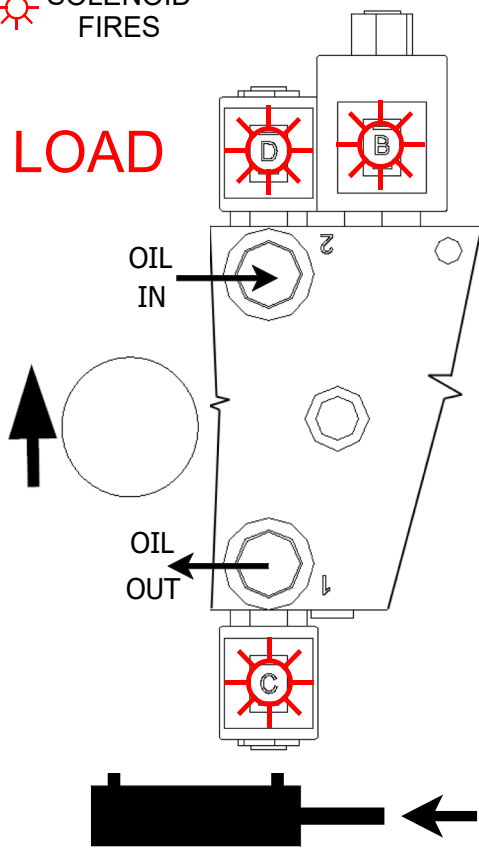
DOUBLE POPPET VALVE	
FUNCTION	COILS
LOAD	B, C & D
UNLOAD	B, C, D & A
SQUEEZE	B, E & F
UNSQUEEZE	B, E, F & A

202052

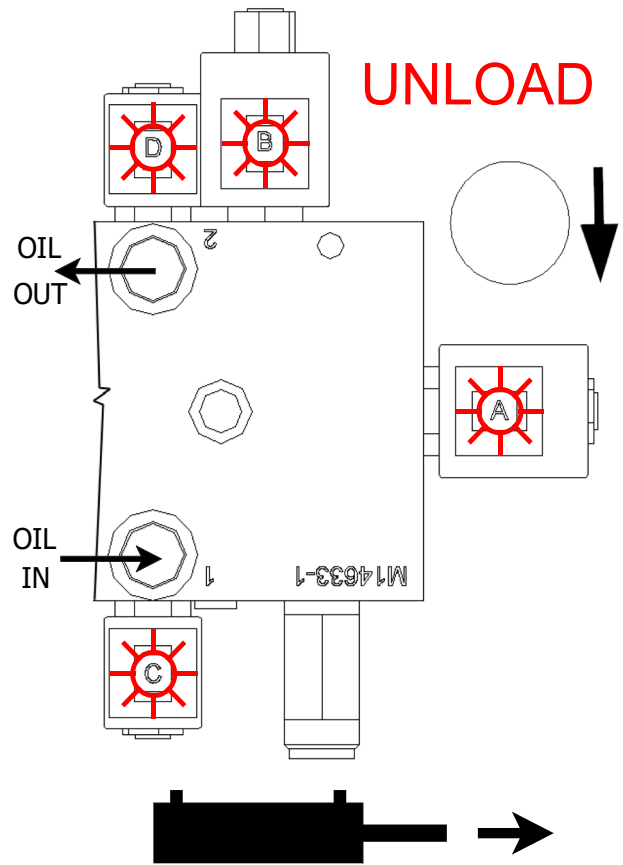


 SOLENOID FIRES

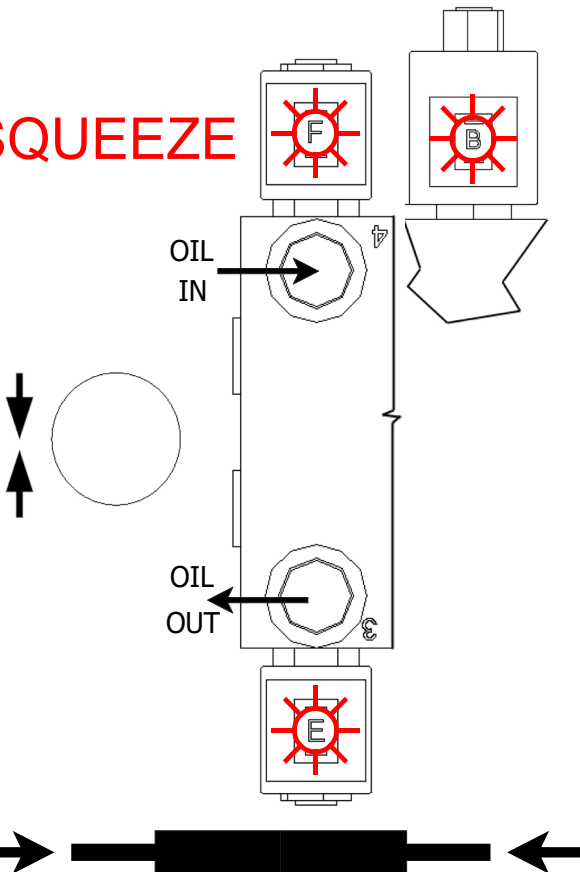
LOAD



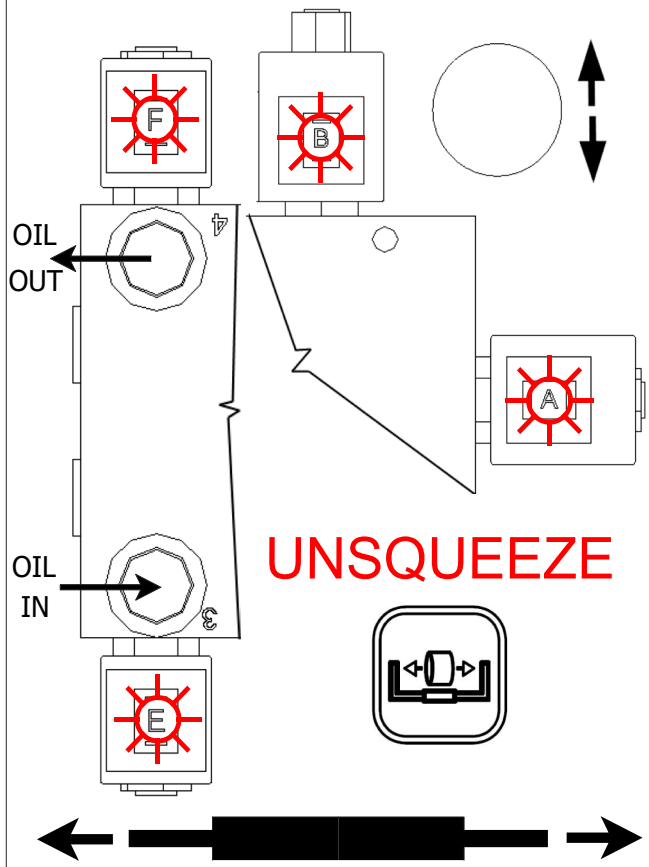
UNLOAD



SQUEEZE



UNSQUEEZE



NOTES

Harper Industries, Inc.
151 E. Highway 160
Harper, KS 67058

Telephone: 620-896-7381
Toll-Free: 800-835-1042
Fax: 620-896-7129

Website: www.harperindustries.com

E-mail: info@harperindustries.com