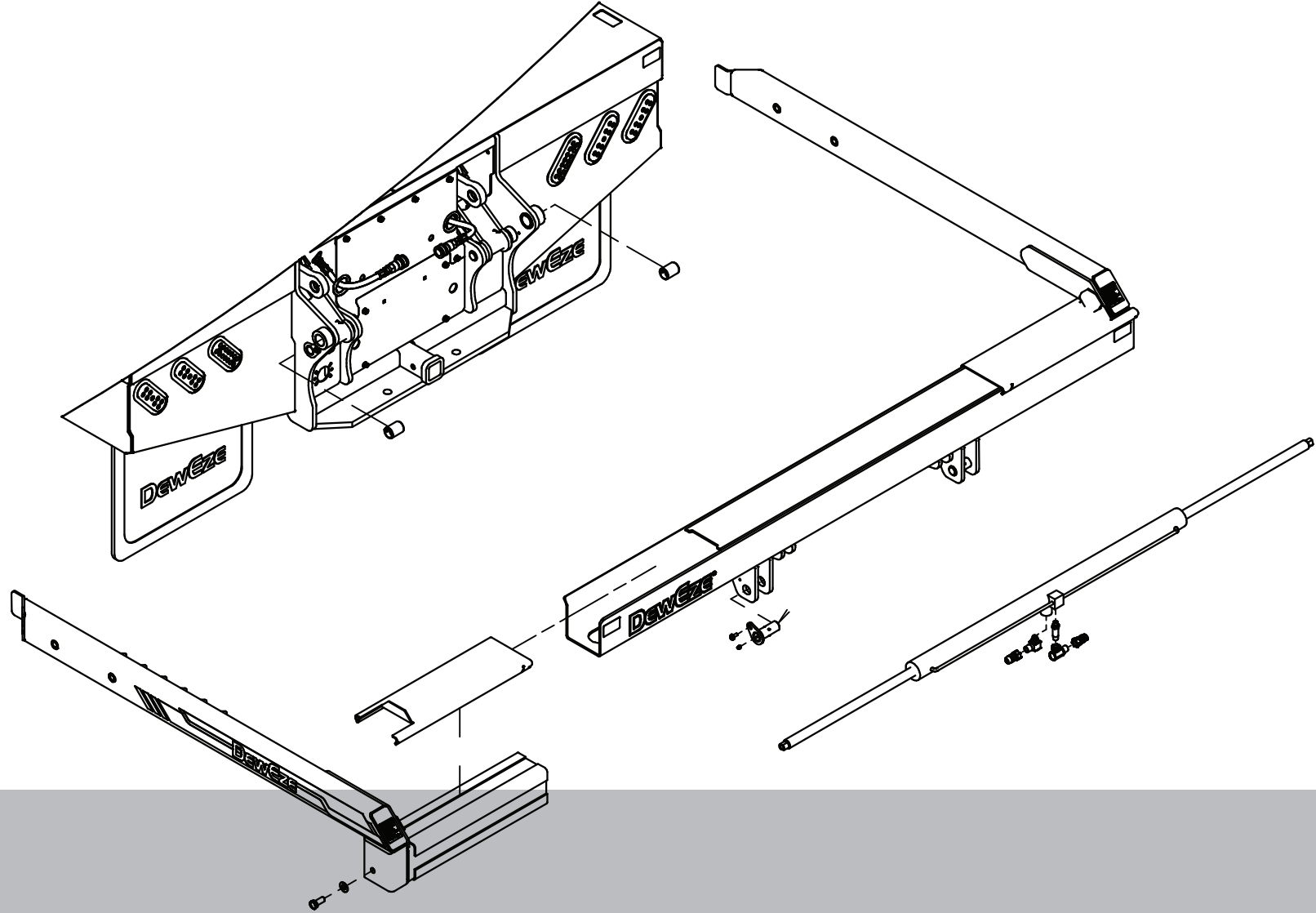


RT & XRT FLATBED

Serial # 21A01+

Enable Function



DewEze®

Thank you for purchasing a DewEze Flatbed.

TO THE OWNER OR OPERATOR:

As with all Harper products, the 600 and 700 Series Flatbeds have been thoroughly tested and built to provide a sturdy, dependable product. The Flatbed is equipped with live hydraulics, which allows it to be used for a wide range of lifting and hauling tasks. This manual is written as an aid to operating and maintaining the DewEze Flatbed. Read and understand the manual thoroughly before operation to avoid damage to the unit or injury to the operator or bystanders.

A Flatbed can present hazards to an operator who follows unsafe procedures in either the operation or maintenance of the unit. Therefore, **SAFETY WARNINGS** are present at certain locations in the text. Harper Industries is not responsible for accidents or injuries that result from the misuse or lack of maintenance of the Flatbed.

SYMBOL:



SAFETY WARNING!



MEANING: Failure to understand and obey this warning may result in injury to you or others. Whenever this symbol is used, please pay very close attention to the information presented, and make sure you fully understand. If you do not, contact your dealer or Harper Industries for clarification.



SAFETY WARNING!



ALL SHIELDS AND GUARDS MUST BE IN PLACE FOR PROPER AND SAFE OPERATION OF THIS EQUIPMENT. WHERE THEY ARE SHOWN REMOVED IN THIS MANUAL, IT IS FOR PURPOSES OF ILLUSTRATION AND INSTRUCTION ONLY. DO NOT OPERATE THIS EQUIPMENT UNLESS ALL SHIELDS AND GUARDS ARE IN PLACE.

///HARPER INDUSTRIES, INC.

151 E. HWY. 160 Harper, KS 67058
(620) 896-7381 • Fax (620) 896-7129

Toll Free 800-835-1042

Email info@deweze.com

Website www.deweze.com

© 2026 Harper Industries, Inc.

The Harper and DewEze names and the ATM logo are registered trademarks of Harper Industries, Inc. All other brand and product names are trademarks or registered trademarks of their respective companies.

Statement of Warranty 1/11/2025

Harper Industries, Inc. (HII) warrants to each purchaser of new DewEze Truck Bodies from an authorized dealer or representative, that such equipment is free of manufacturer's defects in workmanship and materials which appear while in normal service for a period of TWO YEARS commencing with delivery to the original user. The Flatbed hydraulic and electrical systems are warranted for a period of ONE YEAR.

The obligation of HII under this warranty is expressly limited, at our option, to replacement or repair at a service facility designated by Harper Industries or at the manufacturing plant in Harper, KS. A part will be replaced after inspection discloses it to have been defective. This warranty does not apply to defects caused by damage or unreasonable use (including failure to provide reasonable and necessary maintenance, or by performing functions without genuine DewEze Flatbed accessories) while in the possession of the consumer.

Warranty is limited to parts, labor and ground freight delivery of replacement parts. HII shall not be liable for the consequential damages of any kind, including but not limited to consequential labor costs or transportation charges in connection with replacement or repair of defective parts.

This warranty does not apply to parts subjected to misuse, abuse, alteration, improper or inadequate maintenance, or normal wear (including belts, battery, chains, filters).

ANY IMPLIED OR STATUTORY WARRANTIES, INCLUDING ANY WARRANTY OR MERCHANTABILITY OR FITNESS FOR A PARTICULAR PURPOSE, ARE EXPRESSLY LIMITED TO THE DURATION OF THIS WRITTEN WARRANTY. HII makes no other express warranty, nor is anyone authorized to make any on behalf of HII.

For further information please contact your nearest DewEze dealer.

RECORDS

Date of Purchase _____ / _____ / _____

Dealer's Name _____

Dealer's Phone _____

Serial Number Bed _____

Serial Number Pump _____

Table of Contents

OPERATOR SECTION

| | |
|---|----|
| To the Owner or Operator..... | 1 |
| Warranty Statement..... | 2 |
| Table of Contents..... | 3 |
| Specifications..... | 4 |
| Feature Identification..... | 5 |
| Safety Guidelines | |
| General Equipment Safety..... | 6 |
| Flatbed Operation Safety..... | 6 |
| Hydraulic Safety..... | 7 |
| Safety Symbols..... | 7 |
| Operating Instructions | |
| Getting Started..... | 7 |
| Arbor & Riser Attachment..... | 8 |
| Beginning Operation..... | 8 |
| Loading..... | 8 |
| Unloading..... | 8 |
| Pay-out..... | 8 |
| Spool Diameters & Lifting Capacity..... | 9 |
| Reel Power Attachment..... | 10 |
| Storing the arms..... | 11 |
| Turning System Off..... | 11 |
| Transport..... | 12 |
| Maintenance | |
| Check Daily or Before Use..... | 13 |
| Lubrication..... | 13 |
| Hydraulic Oil..... | 13 |
| Hydraulic System..... | 13 |
| GatorHyde Protective Coating..... | 14 |
| Remote Control..... | 14 |
| Power Unit..... | 14 |
| Troubleshooting..... | 15 |

PARTS SECTION

| | |
|--|-------|
| Standard Parts | |
| RT Common Parts..... | 18 |
| XRT60 & 84 Common Parts..... | 19 |
| RT Dummy Arms..... | 20 |
| XRT 60 & 84 Dummy Arms..... | 21 |
| RT Parallel Squeeze Crosstube & Arms..... | 22 |
| XRT Crosstube & Arms..... | 23 |
| Hydraulics | |
| RT Hydraulics Overview..... | 24 |
| RT Hydraulic Schematic..... | 25 |
| RT Lift Hydraulics and Hose Chart..... | 26 |
| RT Reservoir and Filter..... | 27 |
| XRT Hydraulics Overview..... | 28 |
| XRT Hydraulic Schematic..... | 29 |
| XRT Lift & Squeeze Hydraulic Assembly..... | 30 |
| XRT Lift Cylinder Valve & Squeeze Cylinder.. | 31 |
| XRT Reservoir Assembly..... | 32 |
| Valve and Filter - Gen 3 Double Poppet..... | 33 |
| Valve Service Parts..... | 34 |
| Controls and Lights | |
| RF Control and Manual Switches..... | 35 |
| Clutch Control Switch..... | 36 |
| Lights and Harness..... | 37 |
| Harness Adapters: OEM to DewEze..... | 38 |
| Decals | |
| RT Decals-Safety/Operation..... | 39 |
| RT 600/700 Series Decals..... | 40 |
| XRT Decals..... | 41 |
| Accessories | |
| Swingout Lights..... | 42 |
| Cargo Lights..... | 43 |
| Toolboxes and Skirts..... | 44-50 |
| Rear View Camera Mounting Kit..... | 51 |
| Bed Mounting Kits..... | 52 |
| XRT Winder..... | 53-55 |
| RT Winder..... | 56-62 |
| RT & XRT Winder Assemblies..... | 63-69 |
| RT Spinners and Risers..... | 70-72 |
| XRT Spinners and Risers..... | 73-74 |
| Cradle Risers, Arbors, and Locks..... | 75 |
| XRT Cradle Riser, Arbor, and Locks..... | 76 |
| XRT Drop Cradle..... | 77 |
| Dump Box..... | 78 |
| Appendices | |
| I | |
| GatorHyde Repair..... | 79 |
| II | |
| Remote Control..... | 80-81 |
| 2-Bank - Gen 3 w/ Remote..... | 82-83 |
| 3-Bank - Gen 3 w/ Remote..... | 84-85 |
| III | |
| HD E/H - Install Instructions..... | 86-87 |
| HD E/H Power Kit..... | 88-93 |

Specifications

RT Model Specifications

| MODEL | 676 | 684 | 688 | 776 | 784 | 788 |
|--------|-------|-------|--------|-------|-------|--------|
| WIDTH | 7'1" | 7'9" | 7'9" | 8' | 8' | 8' |
| LENGTH | 8'11" | 9'8" | 11'10" | 8'11" | 9'8" | 11'10" |
| WEIGHT | 2175# | 2420# | 2670# | 2240# | 2420# | 2670# |

XRT Model Specifications

| MODEL | XRT60 | XRT84 |
|--------|-------|-------|
| WIDTH | 8'5" | 8'5" |
| LENGTH | 9'11" | 12'1" |
| WEIGHT | 2900# | 3150# |

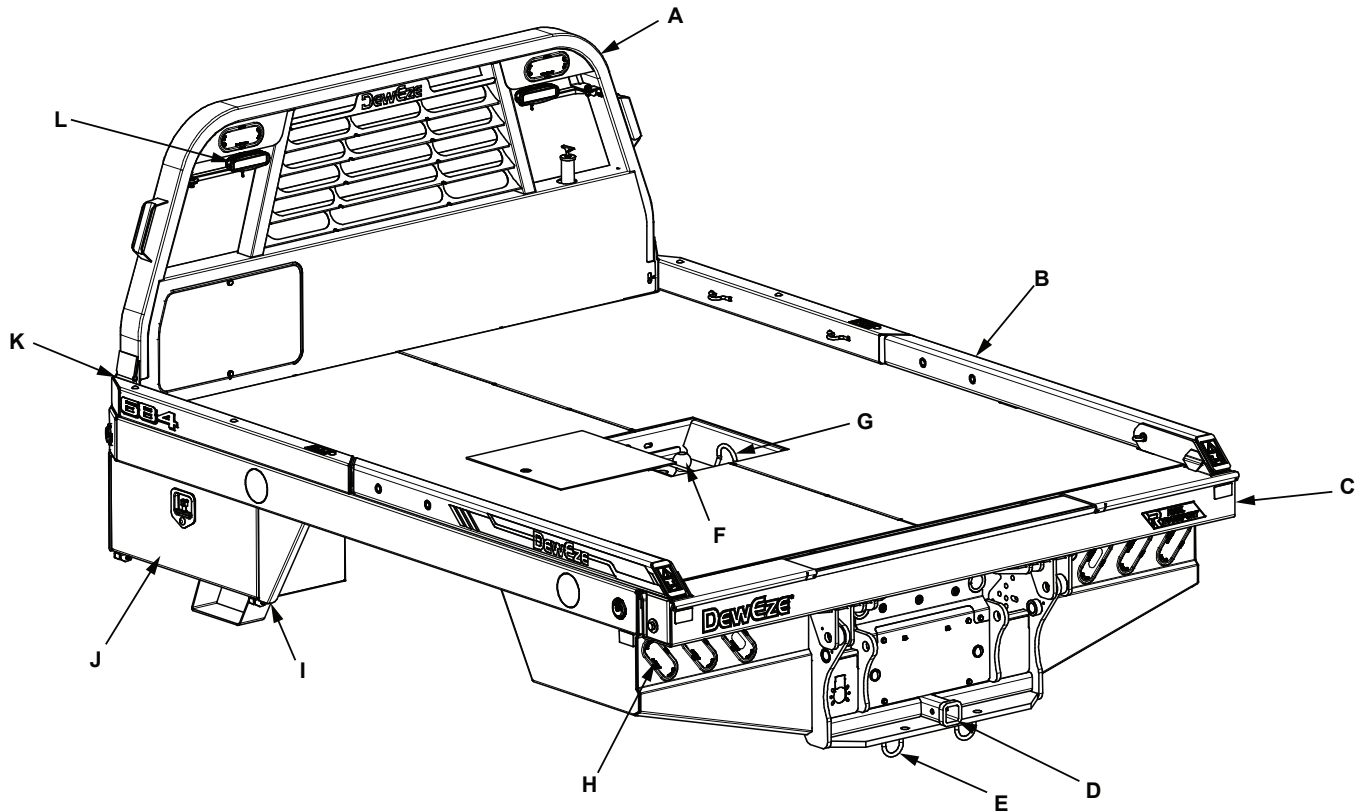
Hydraulic System Specification

| | |
|------------------------|---|
| HYDRAULIC SYSTEM | Powered by engine driven pump or self-contained batter-powered electric/hydraulic unit. |
| SYSTEM PRESSURE | 2750 psi |
| OIL RESERVOIR CAPACITY | 10 gallons |
| OIL FILTER | DewEze 720043, WIX 51551 (10 micron) |
| CYLINDER, LIFT (2) | RT - 3.50" x 16.62" XRT - 4.00" x 15.31" |
| CYLINDER, SQUEEZE | 2.00" x 39.25" |

Protective Coating Specifications

| | |
|-----------|---|
| PAINT | Heat-treated, polyurethane based paint |
| GATORHYDE | Long-lasting, textured polyurea surface |

Feature Identification



A. Headache Rack – protects the rear pickup window. The hydraulic oil tank and valve are located in the headache rack.

B. Hugger Arms – squeeze together to grip the reel and lift it onto the flatbed. When the arms are stored they serve as side rails for the flatbed.

C. Crosstube – houses the squeeze cylinder and guides the hugger arms.

D. Hitch Plate – allows for a 2” square receiver hitch and has holes for hitch pins.

E. Safety Chain Loops – always use safety chains when towing.

F. Gooseneck Hitch – located under a cover plate in the middle of the bed.

G. Safety Chain Loops – always use safety chains when towing.

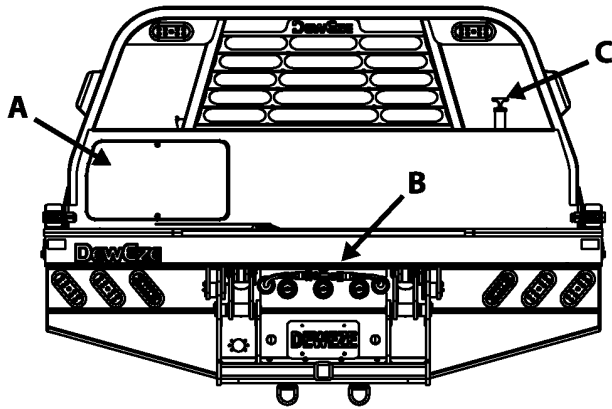
H. Lights – LED lighting for stop-tail-turn has long life and low current draw.

I & J. Skirts & Toolboxes (optional) – mount under front of bed on both sides. If equipped, the Electric/Hydraulic Power unit mounts inside the right toolbox.

K. Dummy Arms – serve as side rail along with hugger arms.

L. Swing Lights (optional) – lights can be pivoted out wider than the truck when working at night.

Safety Guidelines



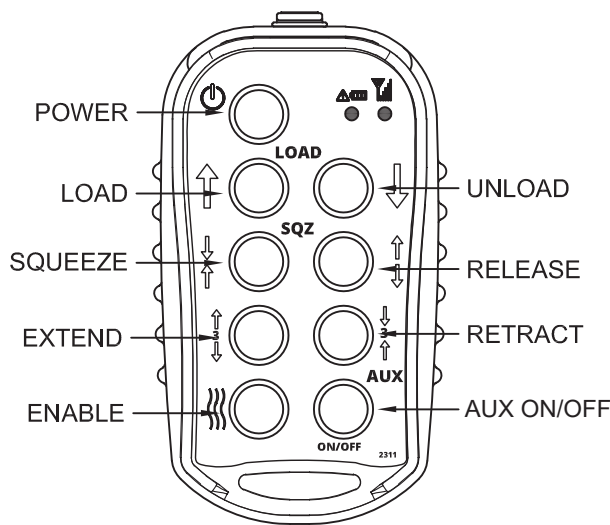
A. Valve Compartment – houses the hydraulic control valve and hydraulic oil filter.

B. Pioneer Couplers – connect hydraulic hoses to the squeeze cylinder – may also be used to connect to implements/tools.

*Leaking squeeze couplers may be replaced with Squeeze Hose Retrofit Kit (205474)

C. Hydraulic Oil Fill & Dipstick – check hydraulic oil level with dipstick – fill here when necessary.

Remote Control Transmitter – operates all functions of the flatbed



SAFETY WARNING!

Do not stand under the hugger arms when operating the reel transport unit, even when arms are empty.

Operator safety is of utmost concern when designing and developing a new piece of equipment. Designers and manufacturers build in as many safety features as possible. However, every year many accidents occur which could have been avoided by a few seconds of thought and a more careful approach to handling equipment. Most accidents can be avoided by observing the precautions in this section. To avoid personal injury, study the safety warnings and cautions listed in this manual and follow them.

General Equipment Safety

- This equipment can be dangerous to children and persons unfamiliar with its operation. The operator should be a responsible adult familiar with this machinery and trained for this unit.
- Do not attempt to operate equipment under the influence of drugs or alcohol.
- Do not allow persons to operate or assemble this unit until they have read this manual and have developed a thorough understanding of the safety precautions and how the unit works.
- Review the safety warnings and cautions with all users annually.

If you have any questions not answered in this manual or require additional copies, contact your dealer or Harper Industries.

Flatbed Operation Safety

- Replace any CAUTION, WARNING, DANGER or instruction decal that is not readable or is missing.
- Make sure all safety pins are in place and flatbed mounting bolts are secure to the truck frame.
- Make sure hinges, joints, and sliding parts are well greased, especially during off season to prevent rusting and binding.

- Check with truck dealer for any load limits, additional suspension or tire requirements. **The flatbed's lifting capability may exceed the truck's load capacity in some instances.**

Hydraulic Safety

- Do not operate the hydraulic system with the hood open.
- Do not activate the electric clutch unless the truck engine is at idle. Operating the clutch at road speeds can damage the hydraulic system.



Hydraulic system operates under high pressure and escaping fluid can penetrate the skin.

Safety Symbols



- Do not open or remove safety shields while vehicle/unit is running.



- Stay a safe distance from machine when in use.

Operating Instructions

IMPORTANT: In cold weather, allow the engine to idle for 5-10 minutes with the pump on before operating the arms. This will allow the oil to warm up and flow more freely. Neglecting to do this may cause hydraulic pump failure.

Your DewEze Reel Transport bed is operated by hydraulics that are powered from a belt driven hydraulic pump (CPK), a transmission mounted pump (PTO), or an electric over hydraulic system. DewEze is the manufacturer/provider of the CPK or E/H system. For operation use of a PTO, please refer to your PTO provider.

For E/H systems information see page 11 under DewEze E/H Option.

Getting Started

The hydraulic flow is made available via the upfitter switches located in the cab of the truck. One switch is to provide power to the valve, the other switch is used to turn on the pump. Both switches must be in the ON position for any bed functions to be performed. The operator can control the functions of the arms (load/unload, and arms squeeze in and out) via the switches located on the front side of the headache rack, located on the driver's side. These functions can also be controlled via a wireless remote.

Arbor and Riser Attachment

Beginning Operation

- Place 12" cradles on hugger arms where desired and secure with 4" pins.
- Slide arbor into reel and secure with one of the L-shaped pins.
- Turn pump switch on the dash to the "ON" position. (Red light will indicate the pump is on).

Loading

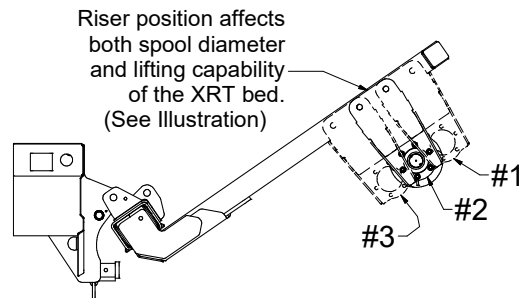
- Back the truck towards the reel with the arms spread apart.
- Position the cradles over the shaft and lower until they are fully seated.
- Secure the shaft in the cradles with the L-shaped pins.
- Lift the reel onto the truck.

Unloading

- To unload, do the reverse of the loading operation.

Pay-out

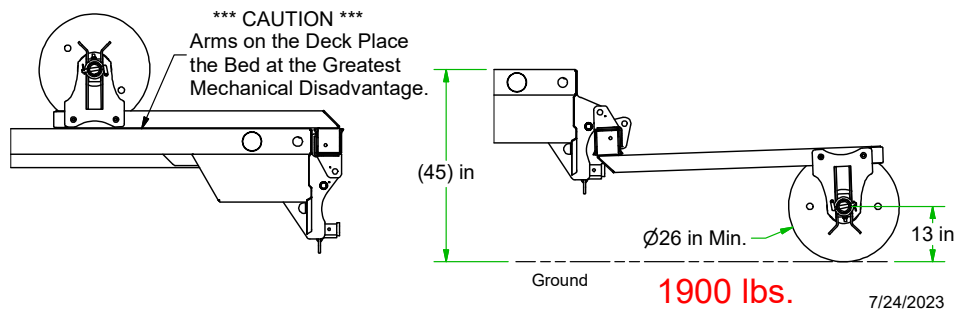
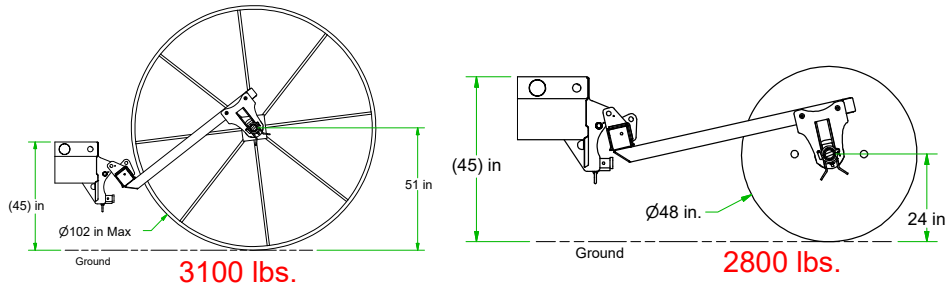
- Position the truck on as level terrain as possible and parallel to the direction the cable will be pulled, then set the parking brake.
- Pick the reel up a few inches off the flatbed so it will turn freely.
- The pump may be turned off during the unrolling operation.
- Take precautions necessary to ensure that the reel unrolls smoothly.
- Begin pay-out.



Lifting Capacities

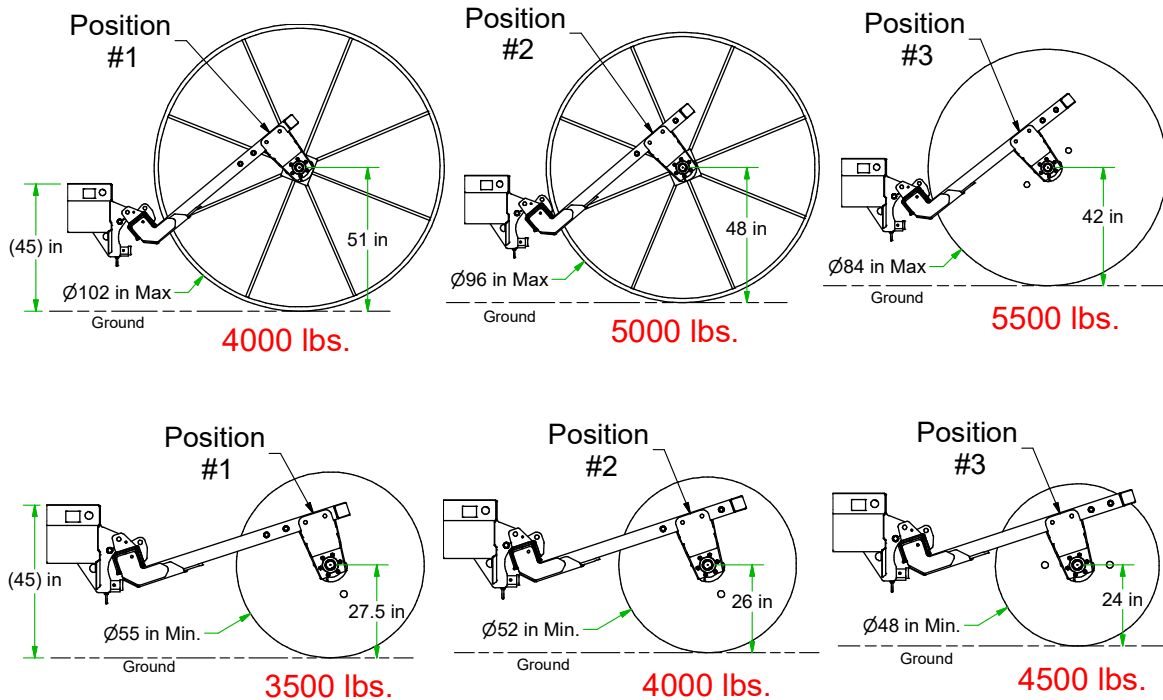
RT, Reel/Spool Diameters & Lifting Capacities

The diagrams below show the largest and smallest spools and how each affects relative lifting capacity.



XRT Riser Position, Reel/Spool Diameters & Lifting Capacities

The diagrams below shows the largest and smallest spools corresponding with each riser position. Also how each riser position affects relative lifting capacity.



11/22/2022

Reel Power Attachment

In order to use the hydraulic winder attachment, a third bank valve must be installed.

For best performance, the Deweze CPK system is recommended. The Reel Power attachment requires a hydraulic system capable of providing 4-5 gpm. Reduced flow will result in diminished speed. **Do not exceed 8 gpm.**

- The hydraulic winder attachment is stored in the passenger side, under-body toolbox. This attachment should be placed in the rear stake pocket of the bed. Note: you must raise the arms off the bed in order to access the stake pocket. **DO NOT DRIVE ON PUBLIC ROADS WITH WINDER VALVE ASSEMBLY IN THE STAKE POCKET.**
- Clean hydraulic fittings prior to connecting the valve to the hydraulic motor and the couplers on the rear of the body. Tailboard couplers are a push/pull operation, motor couplers slide the sleeve forward or backward to insert or remove.

Note: It may be necessary to reverse the tailboard couplers if the flow is in the wrong direction.

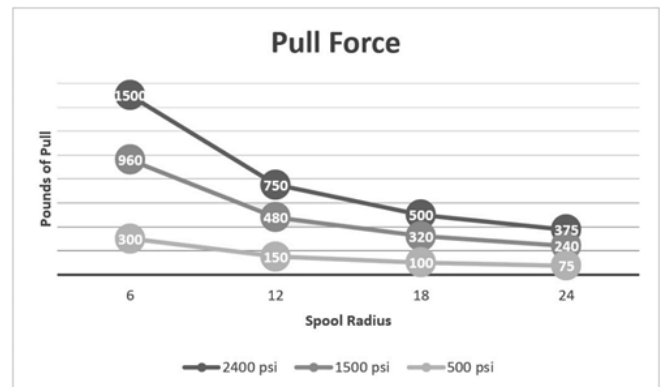
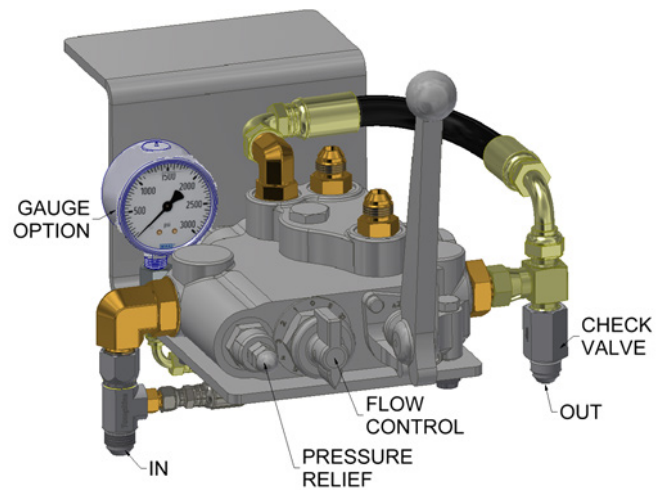
- To operate the winder, the third bank latching switch must be turned on, this is located on the front side of the headache rack on the driver's side or the AUX button on the remote. This provides oil flow to the winder valve.

Note: The load/unload and squeeze/un-squeeze functions should not be operated when third bank latching function is ON.

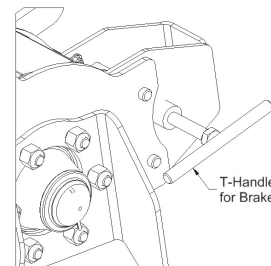
The hydraulic winder valve is a manual valve that can be used to pay out or take up. There is also a flow control that will allow the operator to adjust the speed of rotation based upon the situation.

Note: always start out with the flow control in the lowest setting.

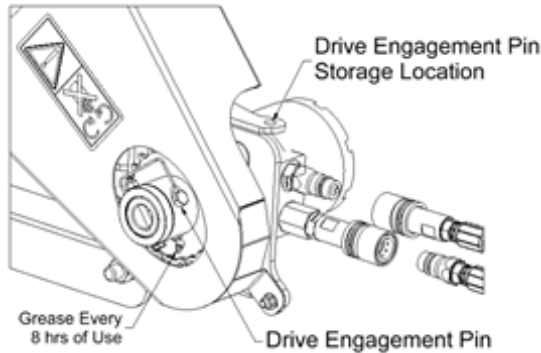
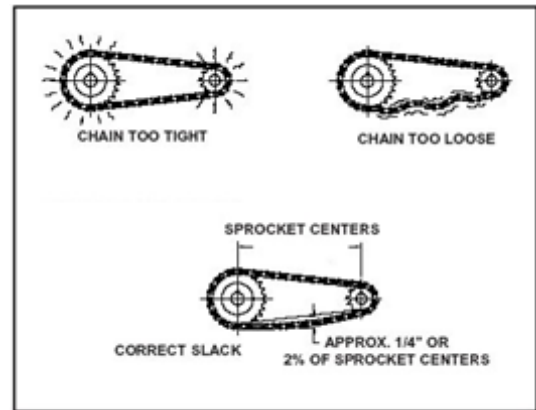
- There is an optional pressure gauge that can be installed to monitor pressure applied to the material being pulled.



Your winder attachment comes with a brake system that can be manually adjusted to reduce the amount of backlash.



- For take up the drive engagement pin must be installed.
- If you are free spooling material off the reel, the drive engagement pin that couples the hydraulic motor to the reel, must be removed. This will allow the reel to spin freely, not fighting the hydraulics of the system.
- The drive engagement pin should be stored when not in use or during transport..



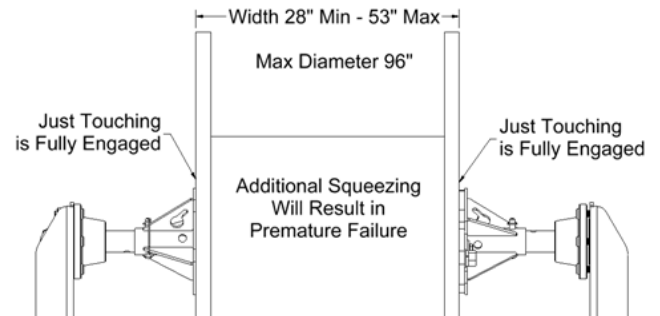
When the take up/pay out operation is complete, the pressure must be relieved from the valve before disconnecting.

To relieve pressure, follow this procedure:

- Turn off the upfitter switch for the pump, leave the upfitter switch that provides power to the valve ON.
- Move the take up valve both directions to relieve any pressure. Turn off the third bank and operate the load/unload and squeeze/unsqueeze functions to remove all system pressure.
- At this point in time the hydraulic lines can be disconnected from the hydraulic motor and the tailboard.

NOTE: Inspect drive chain prior to operation. Please refer to picture to ensure proper tension.

NOTE: When engaging spindles with the reels, adjust pins on anti-spin bar to align with drive holes on spool, **do not over squeeze. Only penetrate the reels to the point that you are resting against the flat face of the spindle. Over squeezing the reel will result in premature arm failure.**



NOTE: Do not lift reels that will exceed the vehicles GVRW.

Storing the Arms

- Close the arms partially and lay them on the flatbed.
- Open arms until they are flush with the side of the bed. They now function with the dummy arms as the bed's side rails.

Turn System Off

- Turn the pump off when it is not in use.

CAUTION: Operating the truck at road speeds, or above 2,000 RPM, with the pump engaged, may cause hydraulic pump failure.

Transport



SAFETY WARNING!



When hauling a reel, make sure it is resting on the flatbed and is tightly secured. Carrying a reel behind the bed, places excessive stress on the lift cylinder, linkage, pins and shaft. Dislocation of a reel could result in serious injury or death to passengers of vehicles following behind.

When transporting reels on public roads, it is recommended to secure the arms such that, in the event of a hydraulic failure, the reel cannot come loose from the bed.

NOTE: Check with local DOT for required load securement practices.

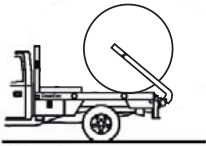


Fig. 1



Fig. 2

CAUTION: Do not exceed GVRW rating of truck when loading.

DewEze E/H Option (RT and XRT)

Deweze Heavy Duty EH is an option with the RT and power winder options with the following conditions/limitations:

1. The pull force is limited to 500 Lbs.
2. The winder is not used more than 30 Minutes out of an hour.
3. The truck chassis needs an alternator of at least 175A, the larger the alternator (or dual alternators) the better.

The Deweze Hybrid EH is **NOT** an option for the power winder but is a higher speed option for non-winder units. Following conditions will offer best performance for non-winder units:

1. Truck chassis should have a large capacity charging system (large alternator or dual alternators)
2. The secondary battery installed should be of highest capacity possible.

Note: The Hybrid EH is not suitable for power winder equipped units as the system will not be able to maintain an even battery charge to the secondary battery when used for long durations i.e., running the winder motor.

Maintenance

Check Daily or Before Use

- Check the hydraulic oil level. Keep the level to “FULL” on the dipstick.
- Check the belt, belt tensioner and idler pulleys on engine clutch pump system.
- Examine the hydraulic hoses for leaks with an object such as cardboard.



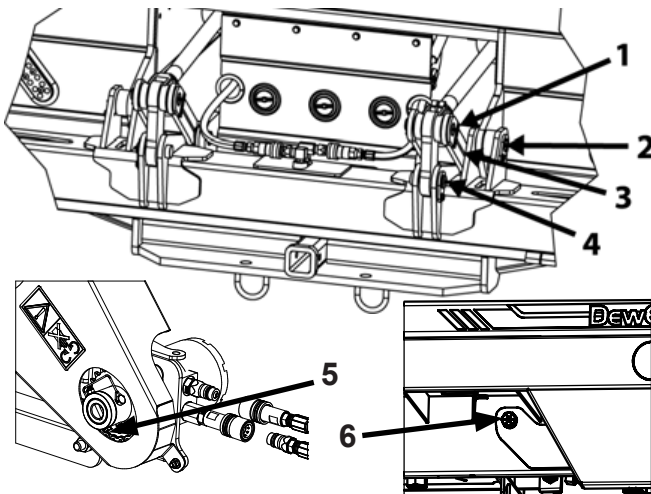
SAFETY WARNING!

Hydraulic fluid escaping under pressure can penetrate the skin and may cause death if not treated immediately.

Lubrication

Grease the locations indicated in the illustrations below once per week while the unit is in use and at the end of each season (same locations on right and left).

1. Lift cylinder – rod end
2. Cross-tube hinge
3. Idler arm base
4. Idler link pin
5. Winder Drive Couple
6. Lift cylinder – base end

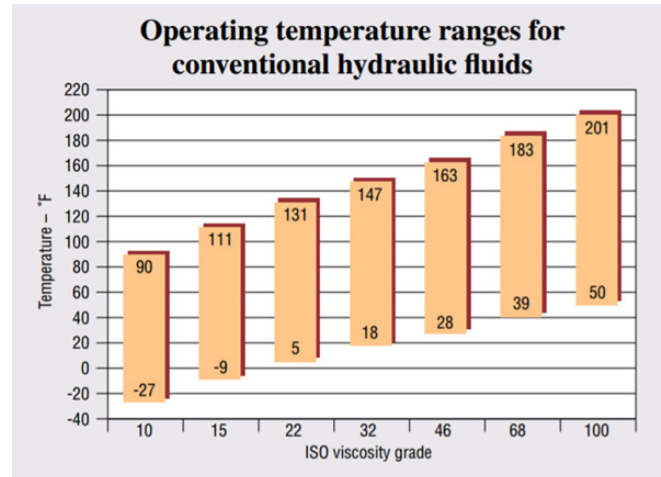


SAFETY WARNING!

Use extreme caution when greasing the flatbed. Completely lower arms to expose rear zerks and turn off ignition.

Hydraulic Oil

- Hydraulic fluid selection will affect the performance of the hydraulic system.



- Consult your local oil supplier for help in selection of a hydraulic fluid appropriate for your area. Consideration will also need to be given as to whether the system is a clutch pump or electric over hydraulic.
- Change the hydraulic oil filter after the first 40 hours of use and then every 250 hours, or annually thereafter.
- Change the hydraulic oil if it becomes contaminated or turns milky in appearance.
- In cold weather (below 10°F), use hydraulic oil that is specifically rated for cold weather.
- If other hydraulic equipment is attached to the bed, the oil will intermix and cold weather viscosity may be lost.

Hydraulic System

- If the quick-couplers leak, the o-rings may need to be replaced.
- High heat, 190° or greater, can be damaging to the hydraulic system. Feel various parts of the system to make sure there are no “hot spots” which may indicate a problem.
- In the off season, run the bed at least twice a month to prevent valve condensation.

- For easy hookup of the couplers, turn the pump switch off and activate the control valve switches with the ignition on. This will release pressure in the lines.

GatorHyde Protective Coating

- In the event that damage should occur to the GatorHyde protective coating, repair materials are available from your DewEze dealer to fix small areas. Follow the instructions provided in Appendix I.

Remote Control

- The remote control transmitter has two LED indicators, the green TRANSMIT indicator and the red BATTERY / DIAGNOSTIC indicator.
- The green TRANSMIT indicator flashes rapidly whenever there is communication between the transmitter and the receiver.
- The red BATTERY / DIAGNOSTIC indicator starts blinking once every second when the battery voltage is low and requires replacement. It also blinks when there is a problem with the system in the form of an error code. Refer to the ERROR CODE CHART in Appendix II.
- To synchronize a new transmitter and receiver together, refer to the TEACH ID CODE instructions in Appendix II.

Power Unit

- If the flatbed is powered with a DewEze Under-the-Hood hydraulic system, refer to the following chart when troubleshooting.
- See Appendix III if the flatbed is powered with the Electric/Hydraulic power unit.

Troubleshooting

| Problem | Symptom | Possible Solution |
|----------------|------------------|--|
| Hydraulic Pump | No Oil Flow | <ul style="list-style-type: none"> • CHECK OIL LEVEL IN RESERVOIR. If oil level is low, check for leaks in system. Then, refill to FULL. • CHECK BELT TENSION. Replace tensioner or tighten idlers if needed. Replace belt if it is worn. • CHECK FOR SHEARED KEY ON PUMP SHAFT. Replace key. • CHECK IF SUCTION HOSE COLLAPSES IN SUCTION. Locate and remove the obstruction. • CLUTCH NOT FUNCTIONING. See possible clutch solutions. • INTERNAL PUMP DAMAGED. Seek assistance from a dealer. |
| Hydraulic Pump | No Oil Pressure | <ul style="list-style-type: none"> • HYDRAULIC OIL LEAKS IN SYSTEM. Take safety precautions and check for leaks. Tighten fittings and replace damaged hoses. • CHECK FOR MALFUNCTIONING SWITCH. Replace switches. • BELT OR CLUTCH MAY BE SLIPPING. Replace tensioner or tighten idlers if needed. Replace belt if it is worn. • VALVE NOT FUNCTIONING. Check for disconnected wires at the solenoid or for rusted ground wires. Seek assistance from a dealer if the valve continues to be unresponsive. • PUMP IS WORN OR DAMAGED. Seek assistance form dealer. |
| Clutch | Does Not Engage | <ul style="list-style-type: none"> • CHECK FOR BLOWN FUSE. Replace fuse. CAUTION: FUSE SHOULD NOT EXCEED 30 AMPS. • CHECK WIRE TO CLUTCH. Insure there are not breaks or shorts. • CHECK FOR BAD SWITCHES IN SYSTEM. Replace switches. • CLUTCH IS WORN OUT. Seek assistance form dealer. |
| Belt(s) | Jumps Off Pulley | <ul style="list-style-type: none"> • BELT(S) TOO LOOSE. Replace tensioner or tighten idler pulleys. • CHECK FOR EXCESSIVE BELT WEAR. Replace worn belt(s). • CHECK FOR LOOSE PUMP BRACKET. Tighten loose bolts. Replace broken bolts. • CHECK CRANKSHAFT PULLEY FOR LOOSE OR BROKEN BOLTS. Tighten loose bolts. Replace broken bolts. • CHECK ALIGNMENT OF IDLER PULLEYS AND CONDITION OF BEARINGS. Re-align idler pulleys or replace worn idler pulleys. • CHECK ALIGNMENT OF CLUTCH AND CRANKSHAFT PULLEY. If misalignment is visible, seek assistance from dealer. |

 **SAFETY WARNING!** 
Use extreme caution when inspecting an engine. Serious injury or death could result from getting too close! Remove key from ignition when servicing.

DewEze®

RT & XRT FLATBED

PARTS

Table of Contents

PARTS SECTION

Standard Parts

| | |
|---|-------|
| RT Common Parts..... | 18 |
| XRT60 & 84 Common Parts..... | 19 |
| RT Dummy Arms..... | 20 |
| RT Parallel Squeeze Crosstube & Arms..... | 21 |
| XRT Crosstube & Arm Assembly..... | 22-23 |
| XRT Right Squeeze Arm..... | 24 |
| XRT Left Squeeze Arm..... | 25 |
| XRT 60 & 84 Dummy Arms..... | 26 |

Hydraulics

| | |
|---|-------|
| RT Dual Lift Hydraulics..... | 27-28 |
| Hydraulic Assembly Reservoir..... | 29 |
| XRT Dual Lift Hydraulics..... | 30-31 |
| XRT Lift Cylinder Valve & Squeeze Cylinder... | 32 |
| XRT Reservoir Assembly..... | 33 |
| Valve and Filter - Gen 3 Double Poppet..... | 34 |
| Valve Service Parts..... | 35 |
| XRT Hydraulic Schematic..... | 36 |

Controls and Lights

| | |
|--------------------------------------|----|
| RF Control and Manual Switches..... | 37 |
| Clutch Control Switch..... | 38 |
| Lights and Harness..... | 39 |
| Harness Adapters: OEM to DewEze..... | 40 |

Decals

| | |
|------------------------------|----|
| Decals-Safety/Operation..... | 41 |
| 600/700 Series Decals..... | 42 |
| XRT Decals..... | 43 |

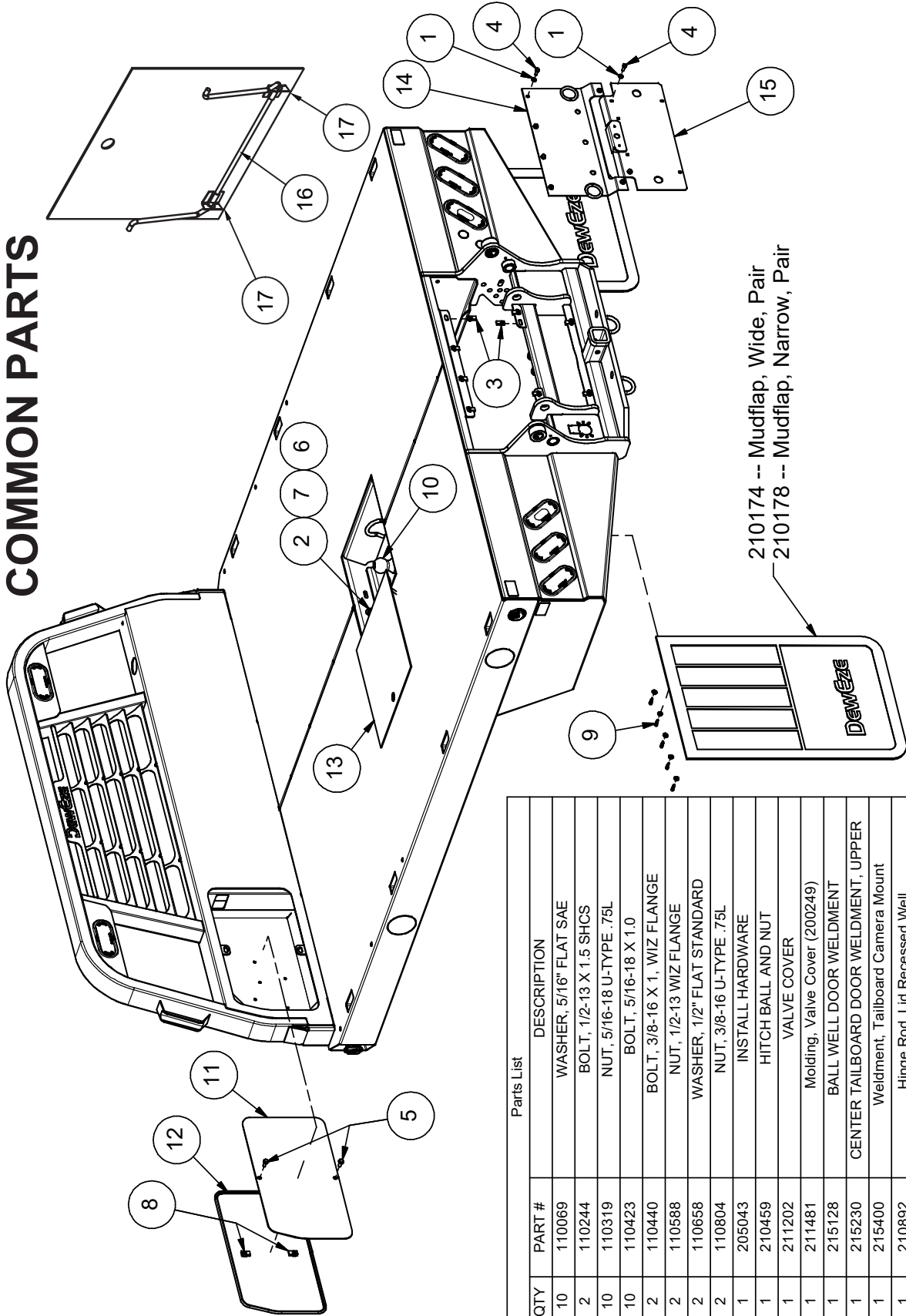
Accessories

| | |
|--|-------|
| Swingout Lights..... | 44 |
| Cargo Lights..... | 45 |
| 30" Toolbox & Fender Skirts..... | 46 |
| Across the Bed Toolbox..... | 47 |
| Front Skirt Toolbox Replacement..... | 48 |
| Rear View Camera Mounting Kit..... | 49 |
| Bed Mounting Kits..... | 50 |
| RT Winder Complete..... | 51 |
| 3rd Bank Rear Couplers..... | 52-53 |
| RT Spinner and Riser Assy..... | 54-56 |
| RT Winder Option..... | 57-62 |
| RT Option Permanent Valve Retrofit..... | 63-65 |
| RT Overspin Brake Option..... | 66-69 |
| Pressure Gauge Option..... | 70 |
| Cradle Risers, Arbor, and Locks..... | 71 |
| RT Dump Box..... | 72 |
| XRT Spinner & Riser Assembly..... | 73 |
| XRT Cradle Riser, Arbor, & Locks Assy..... | 74 |
| XRT Riser Assembly..... | 75 |
| XRT Drop Cradle for Small Reels..... | 76 |

Appendices

| | |
|-----|--|
| I | |
| | GatorHyde Repair..... 77 |
| II | |
| | Remote Control..... 78-79 |
| | 2-Bank - Gen 3 w/ Remote..... 80-81 |
| | 3-Bank - Gen 3 w/ Remote..... 82-83 |
| III | |
| | HD E/H - Install Instructions..... 84-85 |
| | HD E/H Power Kit..... 86-91 |

RT 600/700 COMMON PARTS



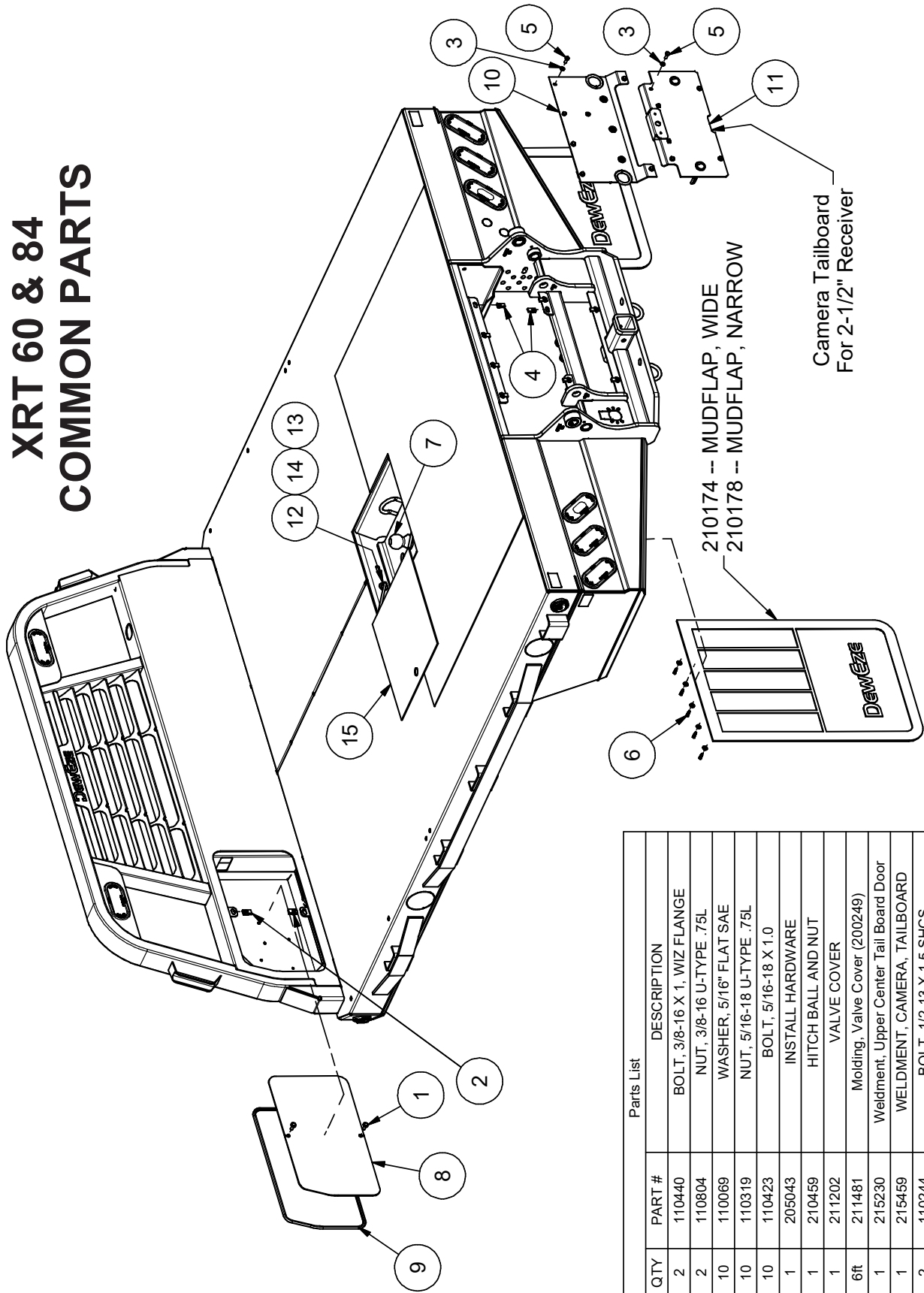
Parts List

| ITEM | QTY | PART # | DESCRIPTION |
|------|-----|--------|---------------------------------------|
| 1 | 10 | 110069 | WASHER, 5/16" FLAT SAE |
| 2 | 2 | 110244 | BOLT, 1/2-13 X 1.5 SHCS |
| 3 | 10 | 110319 | NUT, 5/16-18 U-TYPE .75L |
| 4 | 10 | 110423 | BOLT, 5/16-18 X 1.0 |
| 5 | 2 | 110440 | BOLT, 3/8-16 X 1, WIZ FLANGE |
| 6 | 2 | 110588 | NUT, 1/2-13 WIZ FLANGE |
| 7 | 2 | 110658 | WASHER, 1/2" FLAT STANDARD |
| 8 | 2 | 110804 | NUT, 3/8-16 U-TYPE .75L |
| 9 | 1 | 205043 | INSTALL HARDWARE |
| 10 | 1 | 210459 | HITCH BALL AND NUT |
| 11 | 1 | 211202 | VALVE COVER |
| 12 | 1 | 211481 | Molding, Valve Cover (200249) |
| 13 | 1 | 215128 | BALL WELL DOOR WELDMENT |
| 14 | 1 | 215230 | CENTER TAILBOARD DOOR WELDMENT, UPPER |
| 15 | 1 | 215400 | Weldment, Tailboard Camera Mount |
| 16 | 1 | 210892 | Hinge Rod, Lid Recessed Well |
| 17 | 2 | 210920 | Hinge Clip |

210174 -- Mudflap, Wide, Pair
210178 -- Mudflap, Narrow, Pair

6/30/2021

XRT 60 & 84 COMMON PARTS



Parts List

| ITEM | QTY | PART # | DESCRIPTION |
|------|-----|--------|--|
| 1 | 2 | 110440 | BOLT, 3/8-16 X 1, WIZ FLANGE |
| 2 | 2 | 110804 | NUT, 3/8-16 U-TYPE .75L |
| 3 | 10 | 110069 | WASHER, 5/16" FLAT SAE |
| 4 | 10 | 110319 | NUT, 5/16-18 U-TYPE .75L |
| 5 | 10 | 110423 | BOLT, 5/16-18 X 1.0 |
| 6 | 1 | 205043 | INSTALL HARDWARE |
| 7 | 1 | 210459 | HITCH BALL AND NUT |
| 8 | 1 | 211202 | VALVE COVER |
| 9 | 6ft | 211481 | Molding, Valve Cover (200249) |
| 10 | 1 | 215230 | Weldment, Upper Center Tail Board Door |
| 11 | 1 | 215459 | WELDMENT, CAMERA, TAILBOARD |
| 12 | 2 | 110244 | BOLT, 1/2-13 X 1.5 SHCS |
| 13 | 2 | 110588 | NUT, 1/2-13 WIZ FLANGE |
| 14 | 2 | 110658 | WASHER, 1/2" FLAT STANDARD |
| 15 | 1 | 215128 | BALL WELL DOOR WELDMENT |

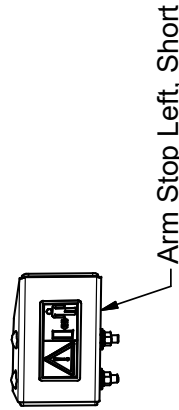
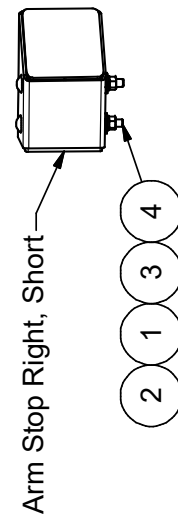
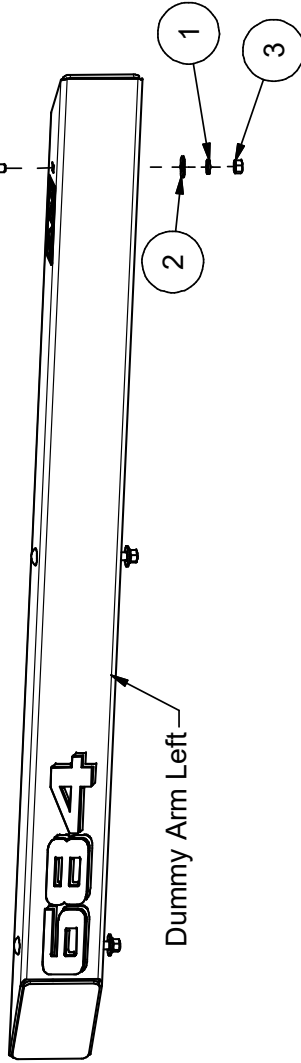
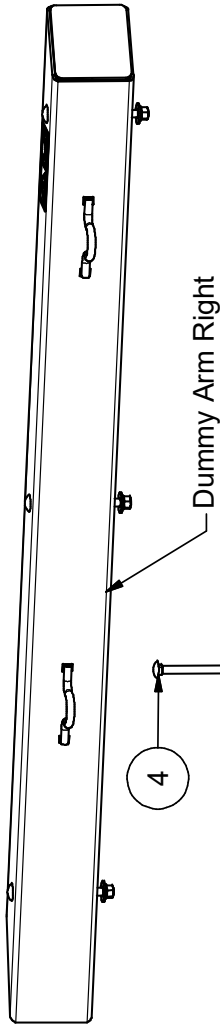
7/14/2023

RT 600/700 DUMMY ARMS & STOPS

| Parts List | |
|------------|------------------------------|
| ITEM | DESCRIPTION |
| 1 | WASHER, 3/8" LOCK |
| 2 | WASHER, 3/8" FLAT STANDARD |
| 3 | NUT, 3/8-16 GR 5 |
| 4 | Bolt, 3/8-16 X 5 in Carriage |

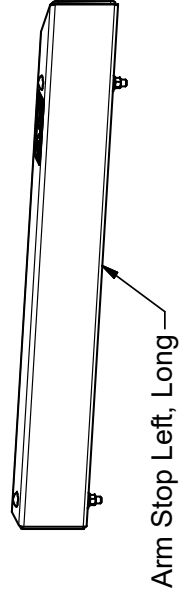
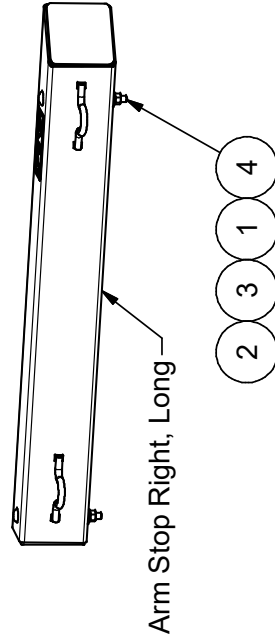
| Dummy Arms | |
|---------------|--------|
| Left or Right | Part # |
| | 205331 |
| | 205332 |
| | 205316 |
| | 205327 |
| | 205328 |
| | 205329 |
| | 205330 |

* Model # Decals Must be Ordered Separately



Arm Stops for Beds
With 40" Top Side Boxes

- 60 CA
Left Short -- 205421
Right Short -- 205422
- 84 CA
Left & Right Long -- 205419

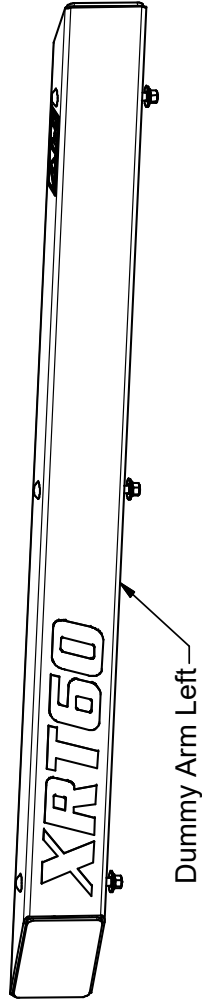
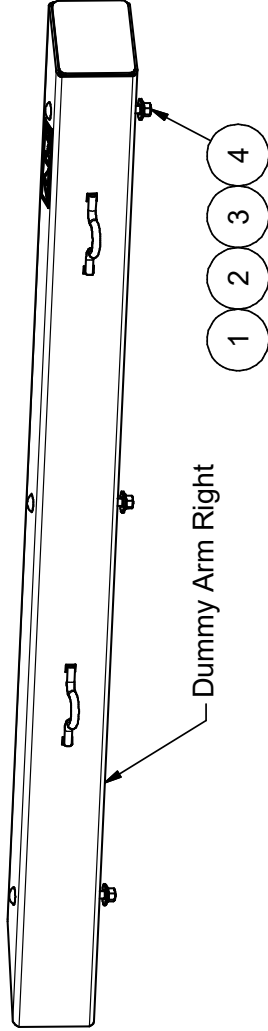


XRT 60 & 84 DUMMY ARMS & STOPS

| Parts List | |
|------------|------------------------------|
| ITEM | DESCRIPTION |
| 1 | WASHER, 3/8" LOCK |
| 2 | WASHER, 3/8" FLAT STANDARD |
| 3 | NUT, 3/8-16 GR 5 |
| 4 | Bolt, 3/8-16 X 5 in Carriage |

* Model # Decals Must be Ordered Separately

| Dummy Arms | | |
|---------------|--------|---------|
| Left or Right | Part # | Decal # |
| XRT60 | 205316 | 202176 |
| XRT84 | 205327 | 202177 |



Arm Stops for Beds
With 40" Top Side Boxes

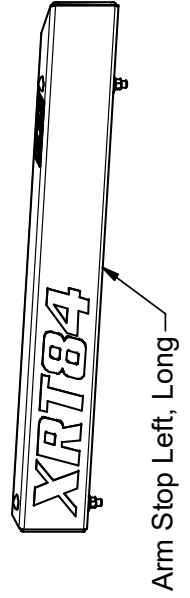
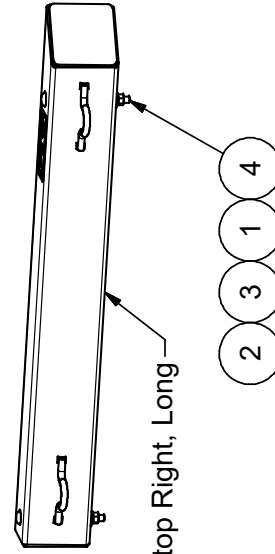
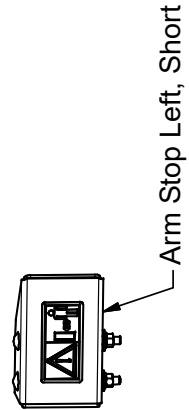
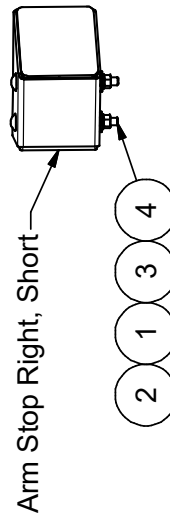
60 CA

Left Short -- 205421

Right Short -- 205422

84 CA

Left & Right Long -- 205419

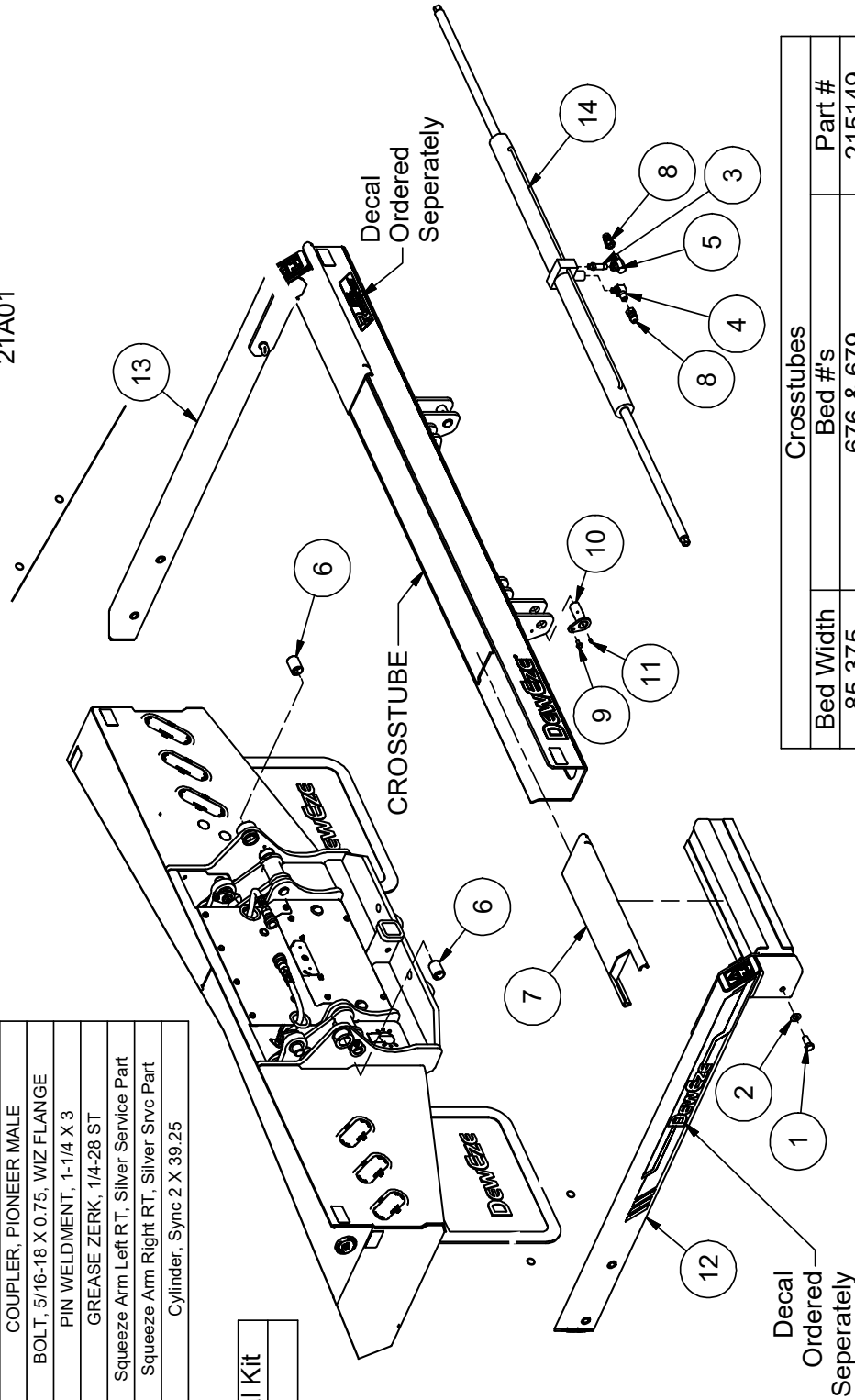


RT 600/700 PARALLEL CROSSTUBE & ARMS

Starting S/N
21A01

| Parts List | | DESCRIPTION |
|------------|--------|--|
| 1 | 110365 | BOLT, 5/8-18 X 1.5 GR 5 |
| 2 | 110663 | WASHER, 5/8" FLAT SAE |
| 3 | 120078 | ADAPTER, 6MB-6MP (3/8 X 2-1/2) |
| 4 | 120147 | ADAPTER, 6MB-8MP/90 |
| 5 | 120311 | ADAPTER, 8MP-6FPX90 |
| 6 | 202023 | BUSHING, 1.5 X 1.25 X 2.0 SPLIT CG/ID |
| 7 | 211292 | SHIELD, CROSSARM |
| 8 | 420005 | COUPLER, PIONEER MALE |
| 9 | 110444 | BOLT, 5/16-18 X 0.75, WIZ FLANGE |
| 10 | 215140 | PIN WELDMENT, 1-1/4 X 3 |
| 11 | 510174 | GREASE ZERK, 1/4-28 ST |
| 12 | 211993 | Squeeze Arm Left RT, Silver Service Part |
| 13 | 211994 | Squeeze Arm Right RT, Silver Svc. Part |
| 14 | 223026 | Cylinder, Sync 2 X 39.25 |

Squeeze Cyl Seal Kit
Part# 220056



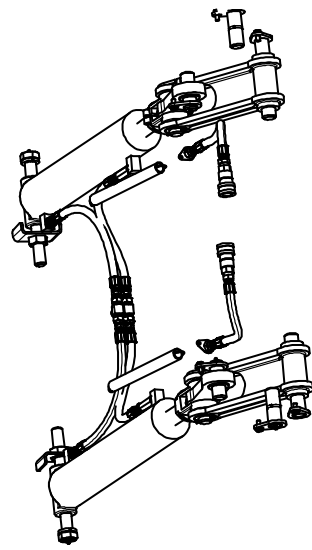
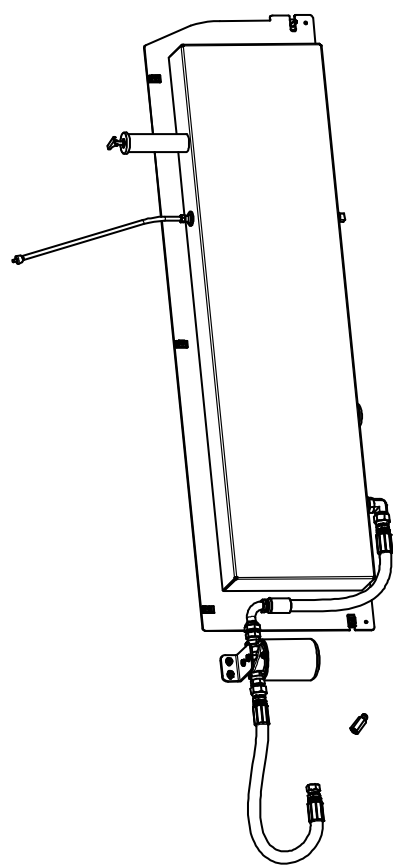
| Crosstubes | | Part # |
|------------|----------------|--------|
| Bed Width | Bed #'s | |
| 85.375 | 676 & 679 | 215149 |
| 93.0 | 684 & 688 | 215162 |
| 96.5 | 776, 784 & 788 | 215138 |

3/21/2022

| Parts List | | | | Parts List | | | | Parts List | | | |
|------------|-----|--------|---------------------------------------|------------|-----|--------|-----------------------------|------------|-----|--------|--------------------------------------|
| ITEM | QTY | PART # | DESCRIPTION | ITEM | QTY | PART # | DESCRIPTION | ITEM | QTY | PART # | DESCRIPTION |
| 1 | 4 | 110336 | WASHER, 1-1/4" FLAT MACHINE | 8 | 2 | 200150 | ROLL PIN, 1/4 X 2 | 15 | 2 | 215142 | PIN WELDMENT, 1-1/4 X 4 |
| 2 | 2 | 110365 | BOLT, 5/8-18 X 1.5 GR 5 | 9 | 1 | 205405 | Crosstube XRT, Service Part | 16 | 2 | 215427 | Weldment, Crosstube Hinge Pin, 1-1/4 |
| 3 | 4 | 110426 | BOLT, 5/16-18 X 0.5, WIZ FLANGE | 10 | 1 | 205406 | Squeeze Arm Right, XRT | 17 | 2 | 215428 | Weldment, Crosstube Link Pin, 1-1/4 |
| 4 | 2 | 110444 | BOLT, 5/16-18 X 0.75, WIZ FLANGE | 11 | 1 | 205407 | Squeeze Arm Left, XRT | 18 | 2 | 270102 | Shield, XRT |
| 5 | 2 | 110663 | WASHER, 5/8" FLAT SAE | 12 | 2 | 210935 | Idler Arm, Machined | 19 | 2 | 270105 | Shield Bracket |
| 6 | 4 | 111034 | NUT, 1/2-13 LOCK NYLON | 13 | 2 | 214012 | Push Arm Assy, XRT | 20 | 6 | 510174 | GREASE ZERK, 1/4-28 ST |
| 7 | 4 | 111209 | BOLT, 1/2-13 X 1.75, WIZ FLANGE, Gr 8 | 14 | 2 | 215141 | PIN WELDMENT, 1-1/4 X 7 | | | | |

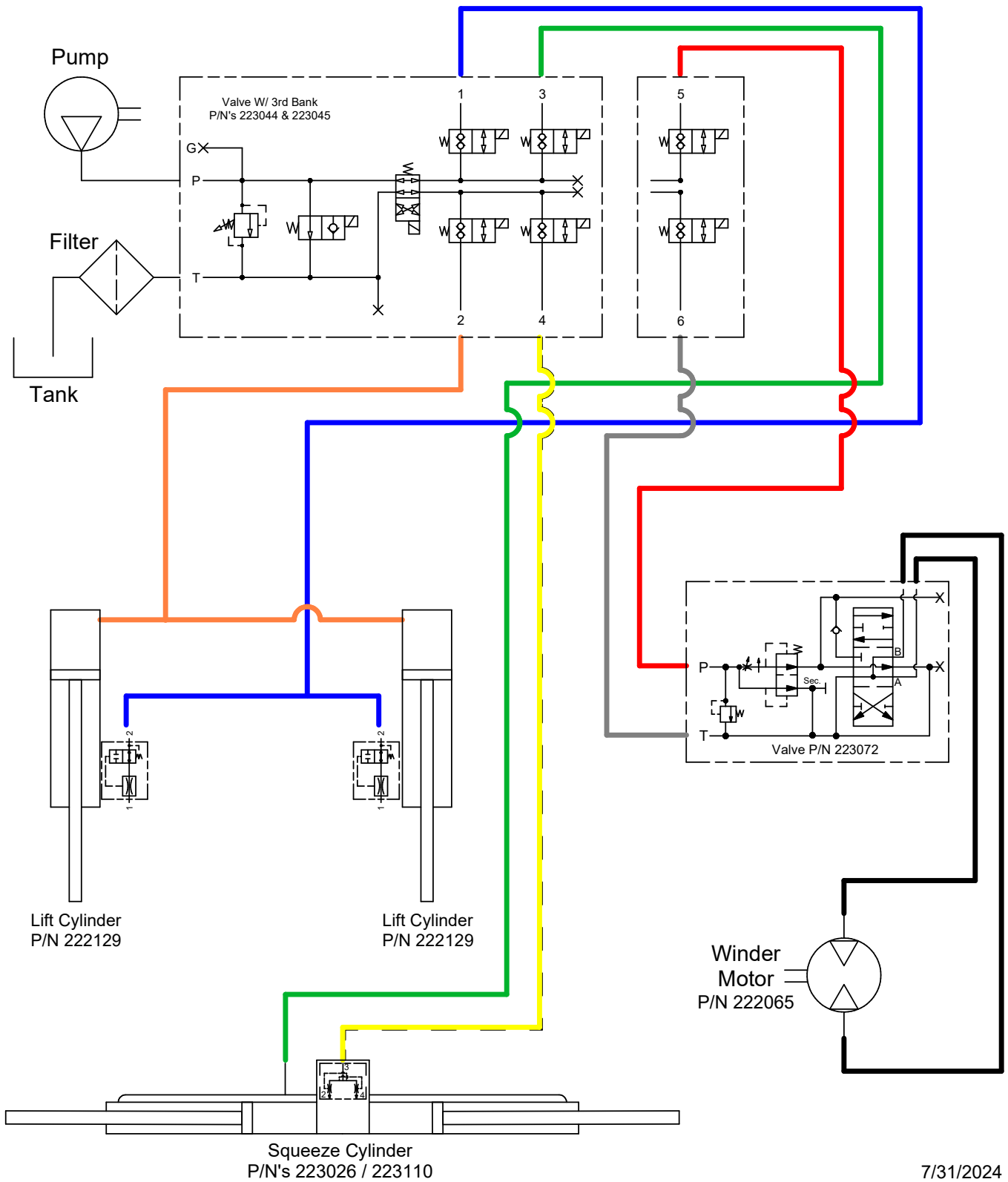
XRT CROSSTUBE & ARMS

| Parts List | | | Parts List | | | | |
|------------|-----|--------|----------------------------------|------|-----|--------|-------------------------------------|
| ITEM | QTY | PART # | DESCRIPTION | ITEM | QTY | PART # | DESCRIPTION |
| 1 | 2 | 110290 | NUT, 1/4-20 WIZ FLANGE | 6 | 4 | 110616 | NUT, 5/16", J-TYPE, CAGE, .5C |
| 2 | 4 | 110336 | WASHER, 1-1/4" FLAT MACHINE | 7 | 2 | 110649 | WASHER, 1" LOCK |
| 3 | 4 | 110434 | BOLT, 1/4-20 X 0.5, WIZ FLANGE | 8 | 2 | 110676 | WASHER, 3/8" FLAT STANDARD |
| 4 | 10 | 110444 | BOLT, 5/16-18 X 0.75, WIZ FLANGE | 9 | 1 | 120237 | ADAPTER, 4BH-4MP |
| 5 | 1 | 110459 | BOLT, 5/16-18 X 1, WIZ FLANGE | 10 | 2 | 120242 | ADAPTER, 8MJ-8MJ-8MJ |
| | | | | 11 | 2 | 120244 | ADAPTER, 12MJ-12MP |
| | | | | 12 | 1 | 120257 | ADAPTER, 12MJ-12MB90 |
| | | | | 13 | 2 | 120319 | ADAPTER, 6MJ-6MB |
| | | | | 14 | 2 | 122038 | Adapter, 6mb-6mb |
| | | | | 15 | 2 | 122040 | Adapter, Velocity 10gpm, 6mj-6fb |
| | | | | 16 | 2 | 200150 | ROLL PIN, 1/4 X 2 |
| | | | | 17 | 2 | 202022 | SPRING, 1" O.D. X 12" L X .105 WIRE |
| | | | | 18 | 2 | 210935 | Idleer Arm, Machined |
| | | | | 19 | 2 | 214002 | PUSH ARM ASSY, DUAL LIFT |
| | | | | 20 | 2 | 215140 | PIN WELDMENT, 1-1/4 X 3 |
| | | | | 21 | 2 | 215141 | PIN WELDMENT, 1-1/4 X 7 |
| | | | | 22 | 2 | 215142 | PIN WELDMENT, 1-1/4 X 4 |
| | | | | 23 | 2 | 215144 | KEEPER, 1 IN NUT, WELDMENT |
| | | | | 24 | 2 | 215148 | PIN WELDMENT, CROSSTUBE LINK |
| | | | | 25 | 1 | 220566 | Dipstick Cap, Reservoir Flatbed |
| | | | | 26 | 1 | 220587 | VENT HOSE |
| | | | | 27 | 1 | 222039 | Valve, Check With .075 Orifice |
| | | | | 28 | 2 | 222129 | LIFT CYLINDER 3.50 X 16.6 |
| | | | | 29 | 1 | 223051 | Hydraulic Hose Kit, Common |
| | | | | 30 | 1 | 225012 | Reservoir, Flatbed, Remote Filter |
| | | | | 31 | 2 | 260111 | MOUNT, HOSE SPRING |
| | | | | 32 | 1 | 260265 | MOUNTING BRACKET, FILTER |
| | | | | 33 | 2 | 260760 | Bolt, 1-8 x 10, Greasable |
| | | | | 34 | 8 | 510174 | GREASE ZERK, 1/4-28 ST |
| | | | | 35 | 1 | 540031 | FUEL FILTER |
| | | | | 36 | 1 | 720041 | FILTER HEAD |
| | | | | 37 | 1 | 720043 | FILTER, 10 MICRON |



RT 600/700 HYDRAULICS

RT Hydraulic Schematic

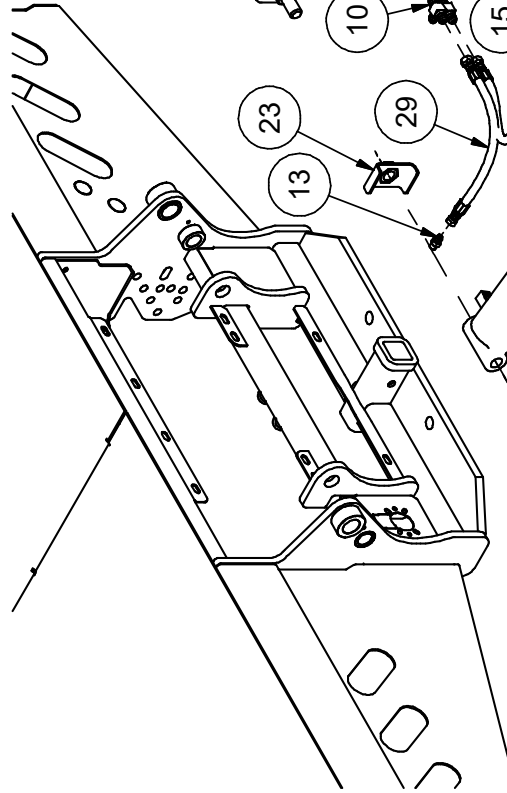


7/31/2024

RT 600/700 LIFT HYDRAULICS

600 - 700 WITH GENERATION 3 VALVES

| COMMON HOSES | SQUEEZE HOSES SHORT 6MTF3 - 8FJX / 8MP | LIFT HOSES SHORT 8M3K - 6FJX / 8FJX | RESERVOIR RETURN 12-10FJX / 12-12FJX | HYDRAULIC HOSE KIT # |
|----------------|---|--|---|-------------------------|
| | 2 ea. | 4 ea. | 1 ea. | |
| | 220682 (17 in.) | 220681 (17 in.) | 220723 (25 in.) | 223051 |
| | | | | |
| | | | | |
| FLATBED LENGTH | SQUEEZE HOSES 8M3K - 8FJX / 8MJ | LIFT HOSES 8M3K - 6FJX / 8FJX | | |
| 101 in. | 2 ea. | 2 ea. | | |
| | 220685 (132 in.) | 220689 (111 in.) | | 223036 |
| 110 in. | 220685 (132 in.) | 220689 (111 in.) | | 223036 |
| 136 in. | 220686 (158 in.) | 220690 (137 in.) | | 223037 |

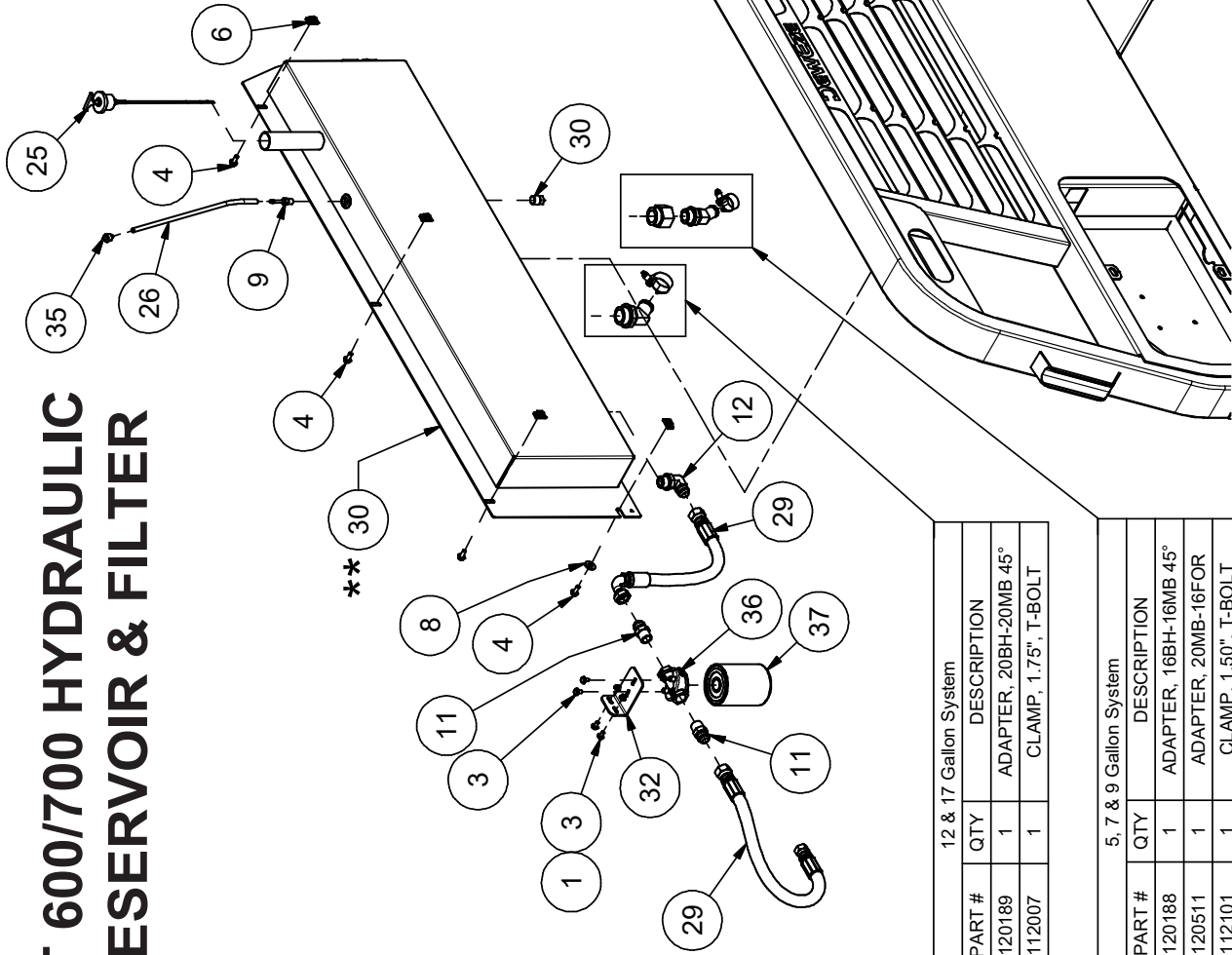


Dual Lift Cylinders
 Production Part# 222129
 Seal Kit Part# 212012

Parts List

| ITEM | QTY | PART # | DESCRIPTION |
|------|-----|--------|-------------------------------------|
| 2 | 4 | 110336 | WASHER, 1-1/4" FLAT MACHINE |
| 4 | 4 | 110444 | BOLT, 5/16-18 X 0.75, WIZ FLANGE |
| 7 | 2 | 110649 | WASHER, 1" LOCK |
| 10 | 2 | 120242 | ADAPTER, 8MJ-8MJ-8MJ |
| 13 | 2 | 120319 | ADAPTER, 6MJ-6MB |
| 14 | 2 | 122038 | Adapter, 6mb-6mb |
| 15 | 2 | 122040 | Adapter, Velocity 10gpm, 6mj-6fb |
| 16 | 2 | 200150 | ROLL PIN, 1/4 X 2 |
| 17 | 2 | 202022 | SPRING, 1" O.D. X 12" L X .105 WIRE |
| 18 | 2 | 210935 | Idler Arm, Machined |
| 19 | 2 | 214002 | PUSH ARM ASSY, DUAL LIFT |
| 21 | 2 | 215141 | PIN WELDMENT, 1-1/4 X 7 |
| 22 | 2 | 215142 | PIN WELDMENT, 1-1/4 X 4 |
| 23 | 2 | 215144 | KEEPER, 1 IN NUT, WELDMENT |
| 24 | 2 | 215148 | PIN WELDMENT, CROSSTUBE LINK |
| 28 | 2 | 222129 | LIFT CYLINDER 3.50 X 16.6 |
| 29 | 1 | 223051 | Hydraulic Hose Kit, Common |
| 31 | 2 | 260111 | MOUNT, HOSE SPRING |
| 33 | 2 | 260760 | Bolt, 1-8 x 10, Greasable |
| 34 | 6 | 510174 | GREASE ZERK, 1/4-28 ST |

RT 600/700 HYDRAULIC RESERVOIR & FILTER



** For Medium-Tall Headstache Rack
Reservoir Part # -- 255033
Dipstick Cap Part # -- 220803

Parts List

| ITEM | QTY | PART # | DESCRIPTION |
|------|-----|--------|-----------------------------------|
| 1 | 2 | 110290 | NUT, 1/4-20 WIZ FLANGE |
| 3 | 4 | 110434 | BOLT, 1/4-20 X 0.5, WIZ FLANGE |
| 4 | 4 | 110444 | BOLT, 5/16-18 X 0.75, WIZ FLANGE |
| 5 | 1 | 110459 | BOLT, 5/16-18 X 1, WIZ FLANGE |
| 6 | 4 | 110616 | NUT, 5/16", J-TYPE, CAGE, .5C |
| 8 | 2 | 110676 | WASHER, 3/8" FLAT STANDARD |
| 9 | 1 | 120237 | ADAPTER, 4BH-4MP |
| 11 | 2 | 120244 | ADAPTER, 12MJ-12MP |
| 12 | 1 | 120257 | ADAPTER, 12MJ-12MB90 |
| 25 | 1 | 220566 | Dipstick Cap, Reservoir Flatbed |
| 26 | 1 | 220587 | VENT HOSE |
| 29 | 1 | 223051 | Hydraulic Hose Kit, Common |
| 30 | 1 | 225012 | Reservoir, Flatbed, Remote Filter |
| 32 | 1 | 260265 | MOUNTING BRACKET, FILTER |
| 35 | 1 | 540031 | FUEL FILTER |
| 36 | 1 | 720041 | FILTER HEAD |
| 37 | 1 | 720043 | FILTER, 10 MICRON |

12 & 17 Gallon System

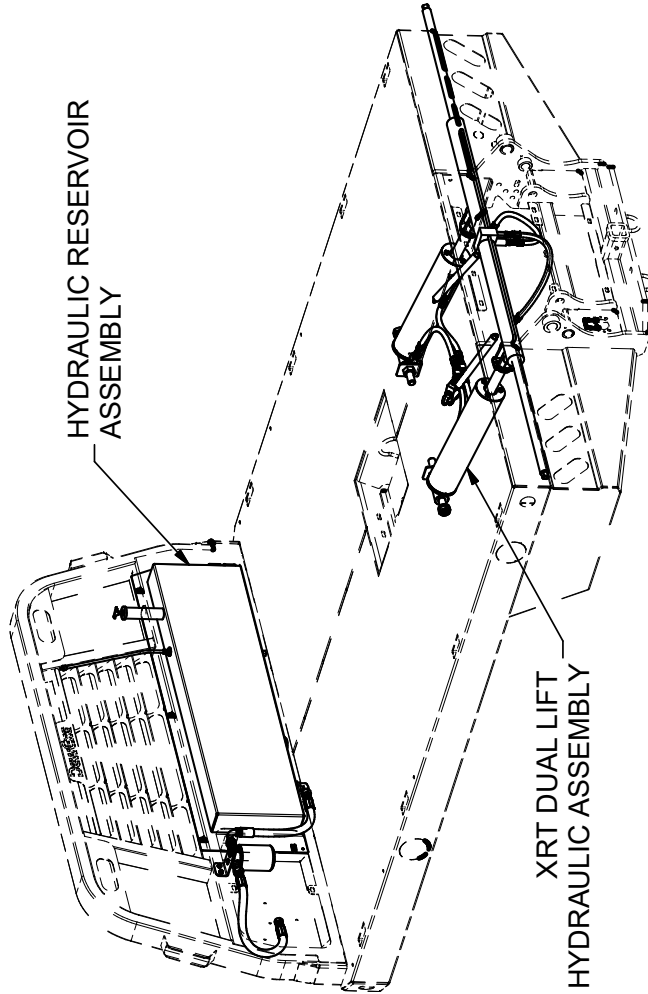
| PART # | QTY | DESCRIPTION |
|--------|-----|------------------------|
| 120189 | 1 | ADAPTER, 20BH-20MB 45° |
| 112007 | 1 | CLAMP, 1.75", T-BOLT |

5, 7 & 9 Gallon System

| PART # | QTY | DESCRIPTION |
|--------|-----|------------------------|
| 120188 | 1 | ADAPTER, 16BH-16MB 45° |
| 120511 | 1 | ADAPTER, 20MB-16FOR |
| 112101 | 1 | CLAMP, 1.50", T-BOLT |

| Parts List | | Parts List | |
|------------|-----|------------|----------------------------------|
| ITEM | QTY | PART # | DESCRIPTION |
| 1 | 2 | 110290 | NUT, 1/4-20 WIZ FLANGE |
| 2 | 4 | 110434 | BOLT, 1/4-20 X 0.5, WIZ FLANGE |
| 3 | 4 | 110444 | BOLT, 5/16-18 X 0.75, WIZ FLANGE |
| 4 | 1 | 110459 | BOLT, 5/16-18 X 1, WIZ FLANGE |
| 5 | 4 | 110616 | NUT, 5/16", J-TYPE, CAGE, .5C |
| 6 | 2 | 110649 | WASHER, 1" LOCK |
| 7 | 2 | 110676 | WASHER, 3/8" FLAT STANDARD |

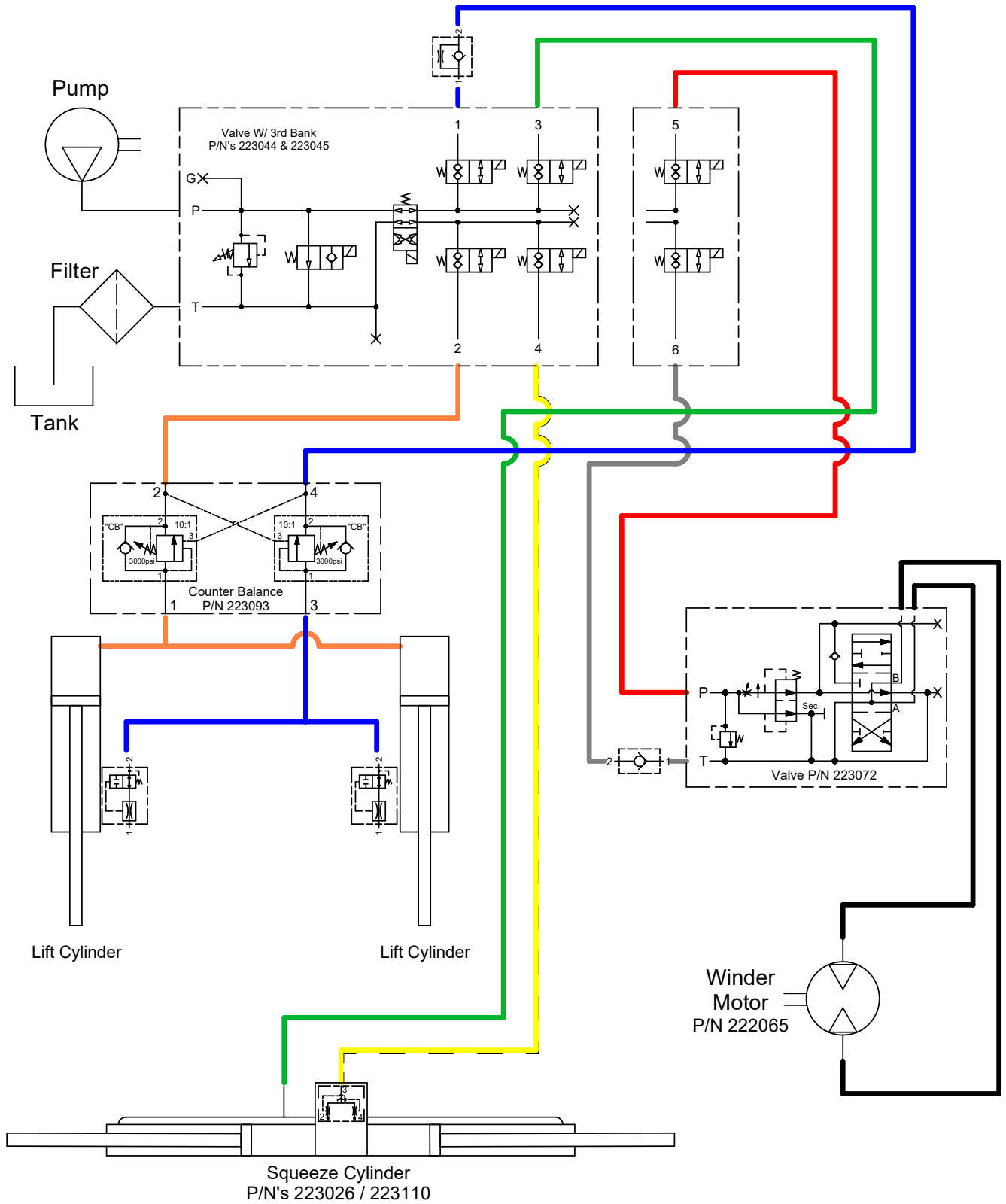
| ITEM | QTY | PART # | DESCRIPTION |
|------|-----|--------|-------------------------------------|
| 8 | 1 | 120237 | ADAPTER, 4BH-4MP |
| 9 | 2 | 120242 | ADAPTER, 8MJ-8MJ-8MJ |
| 10 | 2 | 120244 | ADAPTER, 12MJ-12MP |
| 11 | 1 | 120257 | ADAPTER, 12MJ-12MB90 |
| 12 | 2 | 120288 | ADAPTER, 8MJ-8MB90 |
| 13 | 3 | 120319 | ADAPTER, 6MJ-6MB |
| 14 | 2 | 120601 | ADAPTER, 8MB-8FJX |
| 16 | 2 | 122038 | Adapter, 6mb-6mb |
| 17 | 2 | 122040 | Adapter, Velocity 10gpm, 6mj-6fb |
| 18 | 2 | 202022 | SPRING, 1" O.D. X 12" L X .105 WIRE |
| 19 | 2 | 215430 | Weldment, Keeper 1" Nut |
| 20 | 1 | 220566 | Dipstick Cap, Reservoir Flatbed |
| 21 | 1 | 220587 | VENT HOSE |
| 22 | 1 | 223093 | Valve, Counter Balance, Cross Pilot |
| 23 | 2 | 223094 | Cylinder, Lift, 4.0 X 15.31 |
| 24 | 1 | 223095 | Hydraulic Hose Kit, Common |
| 25 | 1 | 223026 | Cylinder, Sync 2 X 39.25 |
| 26 | 1 | 225012 | Reservoir, Flatbed, Remote Filter |
| 27 | 2 | 260111 | MOUNT, HOSE SPRING |
| 28 | 1 | 260265 | MOUNTING BRACKET, FILTER |
| 29 | 2 | 260760 | Bolt, 1-8 x 10, Greasable |
| 30 | 2 | 510174 | GREASE ZERK, 1/4-28 ST |
| 31 | 1 | 540031 | FUEL FILTER |
| 32 | 1 | 720041 | FILTER HEAD |
| 33 | 1 | 720043 | FILTER, 10 MICRON |
| 34 | 1 | 120484 | ADAPTER, 6MJ-6MB-LONG |



| ITEM | QTY | PART # | Medium Tall XRT 205416 Rev B |
|------|-----|--------|---|
| 35 | 1 | 220803 | Dipstick Cap, Medium Tall |
| 36 | 1 | 225033 | Reservoir, Extended Filler, Remote Filler |

XRT HYDRAULICS

6-700 Series XRT Hydraulic Schematic

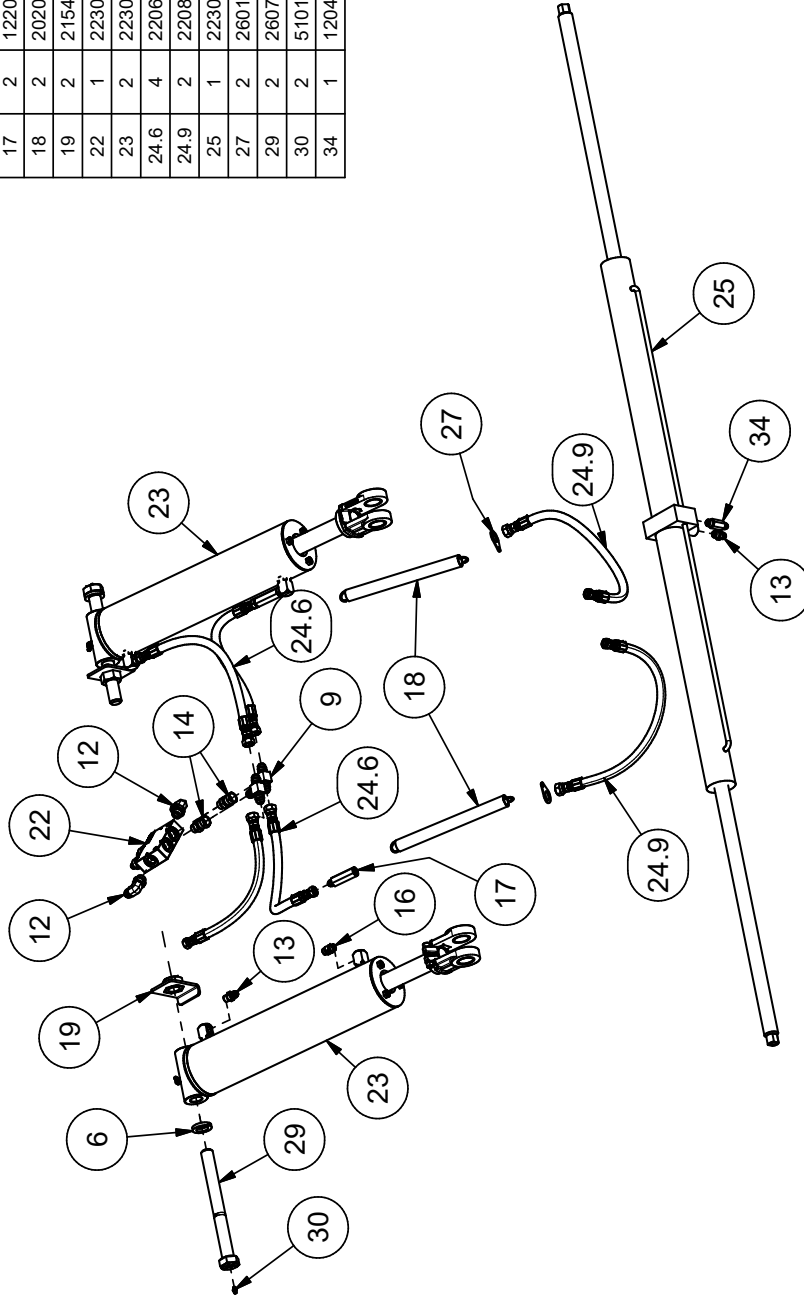


4/10/2026

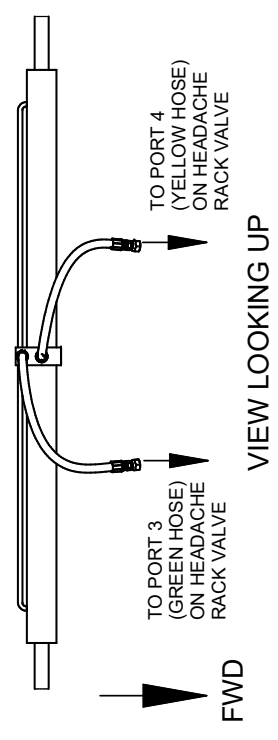
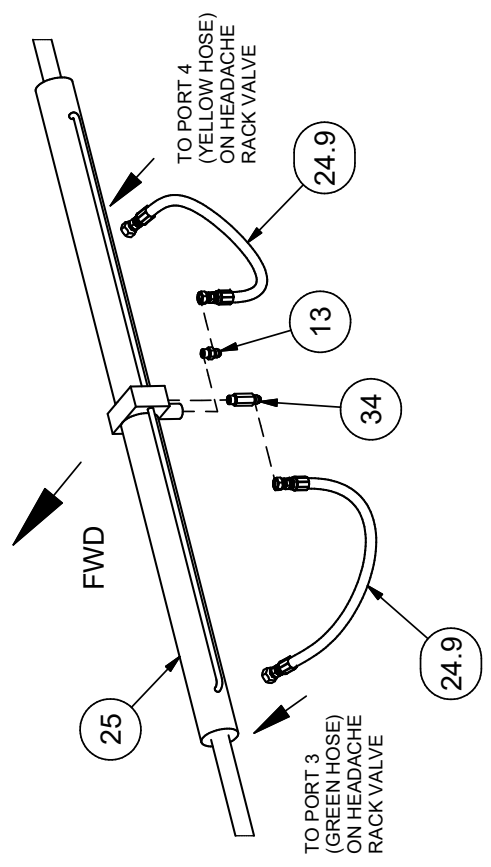
XRT HYDRAULIC ASSEMBLY

Parts List

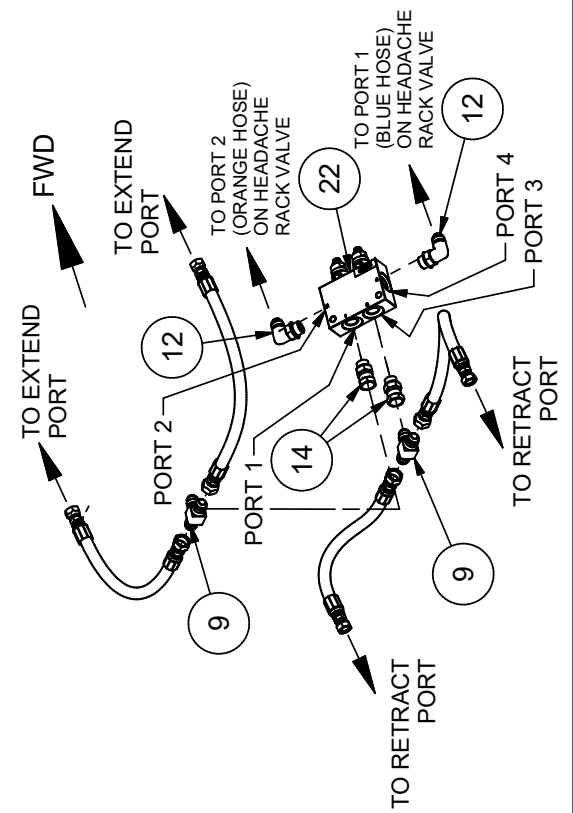
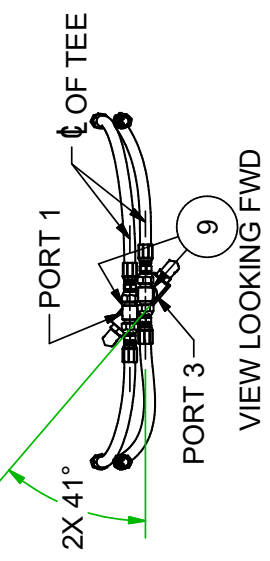
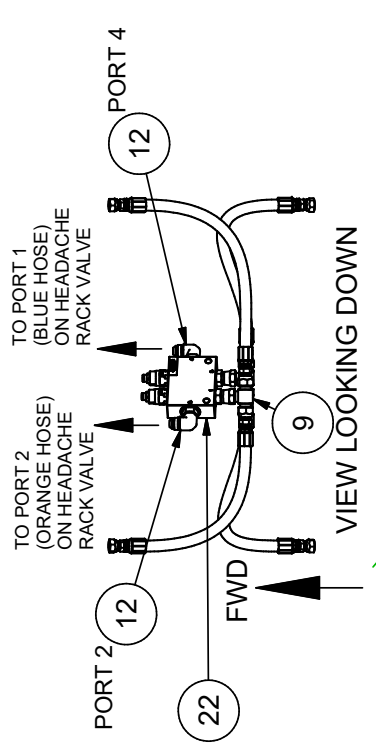
| ITEM | QTY | PART # | DESCRIPTION |
|------|-----|--------|-------------------------------------|
| 6 | 2 | 110649 | WASHER, 1" LOCK |
| 9 | 2 | 120242 | ADAPTER, 8MJ-8MJ-8MJ |
| 12 | 2 | 120288 | ADAPTER, 8MJ-8MB90 |
| 13 | 3 | 120319 | ADAPTER, 6MJ-6MB |
| 14 | 2 | 120601 | ADAPTER, 8MB-8FIX |
| 16 | 2 | 122038 | Adapter, 6mb-6mb |
| 17 | 2 | 122040 | Adapter, Velocity 10gpm, 6mj-6fb |
| 18 | 2 | 202022 | SPRING, 1" O.D. X 12" L X .105 WIRE |
| 19 | 2 | 215430 | Weldment, Keeper 1" Nut |
| 22 | 1 | 223093 | Valve, Counter Balance, Cross Pilot |
| 23 | 2 | 223094 | Cylinder, Lift, 4.0 X 15.31 |
| 24.6 | 4 | 220681 | HOSE ASSY, FLATBED DUAL LIFT |
| 24.9 | 2 | 220853 | HOSE ASSY, FLATBED SQUEEZE SHORT |
| 25 | 1 | 223026 | Cylinder, Sync 2 X 39.25 |
| 27 | 2 | 260111 | MOUNT, HOSE SPRING |
| 29 | 2 | 260760 | Bolt, 1-8 x 10, Greasable |
| 30 | 2 | 510174 | GREASE ZERK, 1/4-28 ST |
| 34 | 1 | 120484 | ADAPTER, 6MJ-6MB-LONG |



XRT SQUEEZE CYLINDER



XRT LIFT CYLINDER VALVE



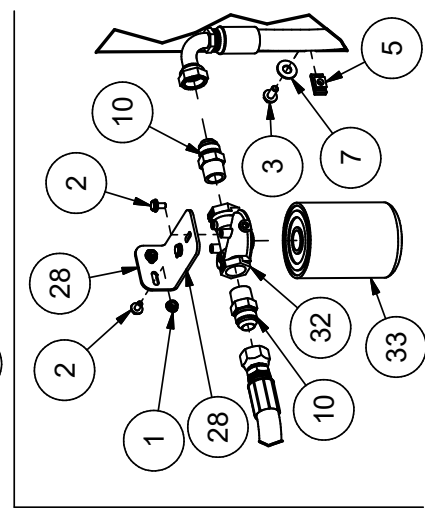
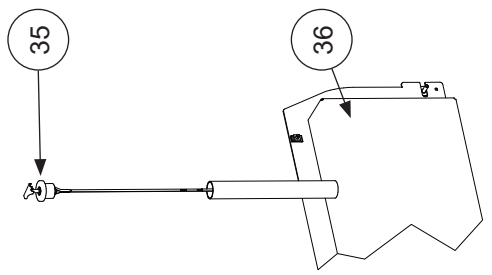
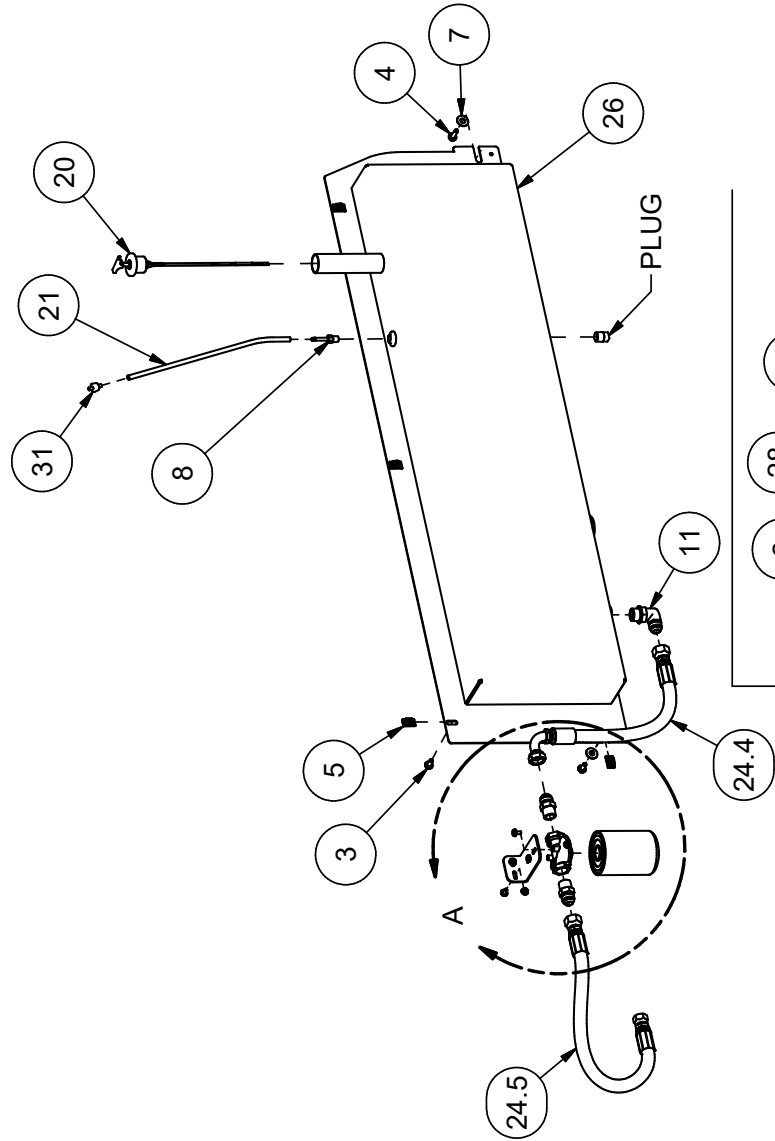
205404 REV. C

XRT RESERVOIR ASSEMBLY

Parts List

| ITEM | QTY | PART # | DESCRIPTION |
|------|-----|--------|-----------------------------------|
| 1 | 2 | 110290 | NUT, 1/4-20 WIZ FLANGE |
| 2 | 4 | 110434 | BOLT, 1/4-20 X 0.5, WIZ FLANGE |
| 3 | 4 | 110444 | BOLT, 5/16-18 X 0.75, WIZ FLANGE |
| 4 | 1 | 110459 | BOLT, 5/16-18 X 1, WIZ FLANGE |
| 5 | 4 | 110616 | NUT, 5/16", J-TYPE, CAGE, .5C |
| 7 | 2 | 110676 | WASHER, 3/8" FLAT STANDARD |
| 8 | 1 | 120237 | ADAPTER, 4BH-4MP |
| 10 | 2 | 120244 | ADAPTER, 12MJ-12MP |
| 11 | 1 | 120257 | ADAPTER, 12MJ-12MB90 |
| 20 | 1 | 220566 | Dipstick Cap, Reservoir Flatbed |
| 21 | 1 | 220587 | VENT HOSE |
| 24.4 | 1 | 220700 | FILTER TO RESERVOIR HOSE |
| 24.5 | 1 | 220723 | HOSE, VALVE TO FILTER |
| 26 | 1 | 225012 | Reservoir, Flatbed, Remote Filter |
| 28 | 1 | 260265 | MOUNTING BRACKET, FILTER |
| 31 | 1 | 540031 | FUEL FILTER |
| 32 | 1 | 720041 | FILTER HEAD |
| 33 | 1 | 720043 | FILTER, 10 MICRON |

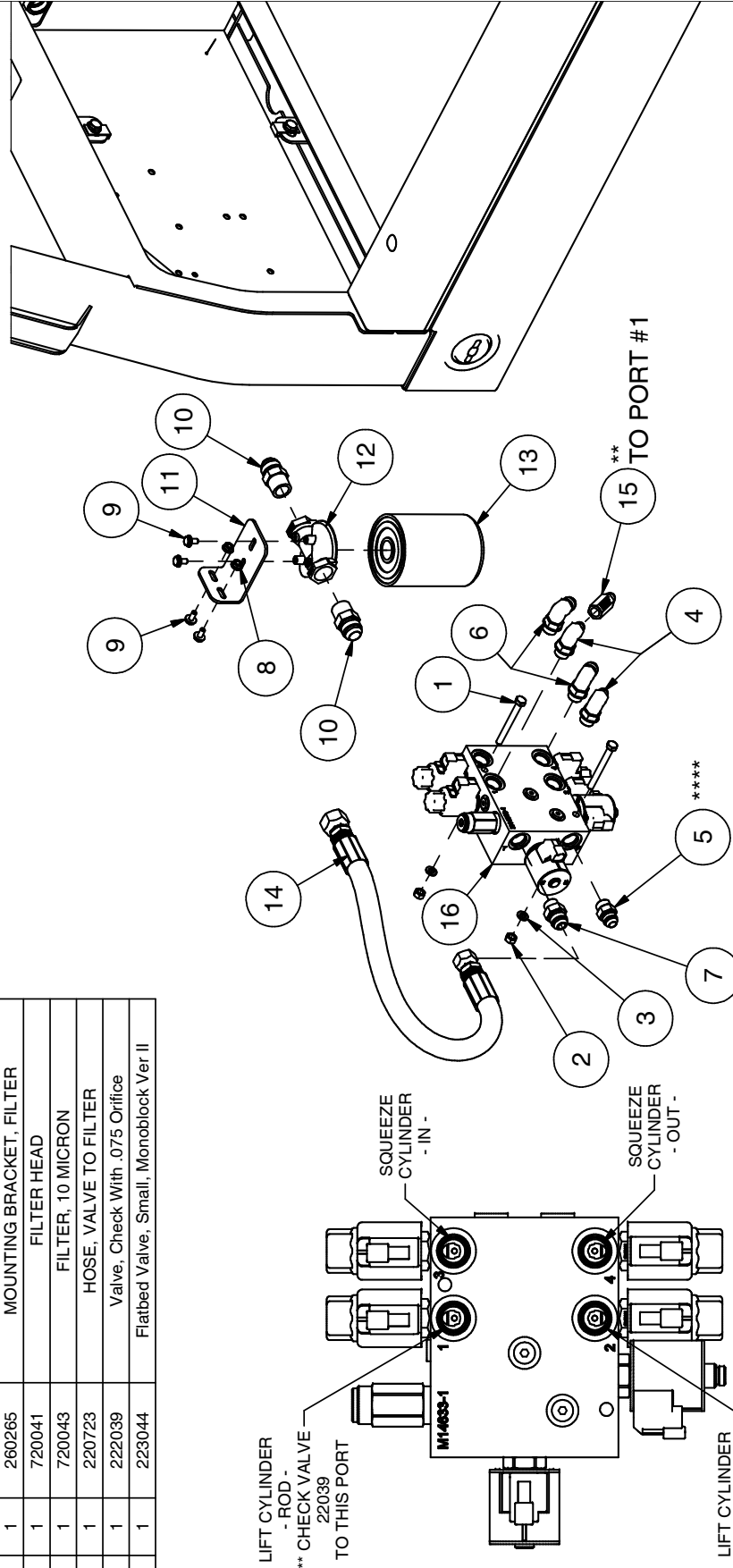
| ITEM | QTY | PART # | DESCRIPTION |
|------|-----|--------|---|
| | | | Medium Tall XRT 205416 Rev B |
| 35 | 1 | 220803 | Dipstick Cap, Medium Tall |
| 36 | 1 | 225033 | Reservoir, Extended Filler, Remote Filter |



DETAIL A

Valve & Filter Gen 3 Double Poppet

| Parts List | | |
|------------|-----|--|
| ITEM | QTY | DESCRIPTION |
| 1 | 2 | BOLT, 5/16-18 X 3.0 |
| 2 | 2 | NUT, 5/16-18 |
| 3 | 2 | WASHER, 5/16" LOCK |
| 4 | 2 | ADAPTER, 6MJ-8MB90 |
| 5 | 1 | ADAPTER, 8MJ-8MB |
| 6 | 2 | ADAPTER, 8MJ-8MB90 |
| 7 | 1 | ADAPTER, 10MJ-8MB |
| 8 | 2 | NUT, 1/4-20 WIZ FLANGE |
| 9 | 4 | BOLT, 1/4-20 X 0.5, WIZ FLANGE |
| 10 | 2 | ADAPTER, 12MJ-12MP |
| 11 | 1 | MOUNTING BRACKET, FILTER |
| 12 | 1 | FILTER HEAD |
| 13 | 1 | FILTER, 10 MICRON |
| 14 | 1 | HOSE, VALVE TO FILTER |
| 15 | 1 | Valve, Check With .075 Orifice |
| 16 | 1 | Flatbed Valve, Small, Monoblock Ver II |

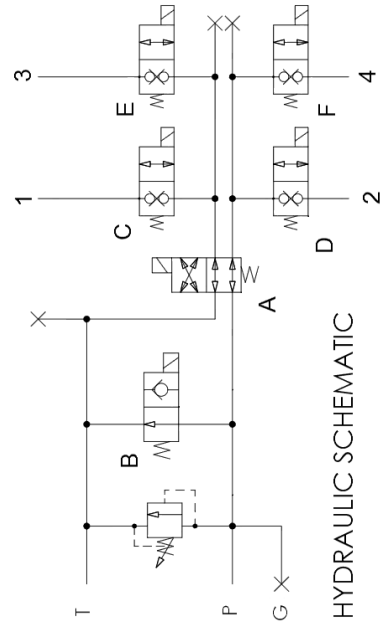
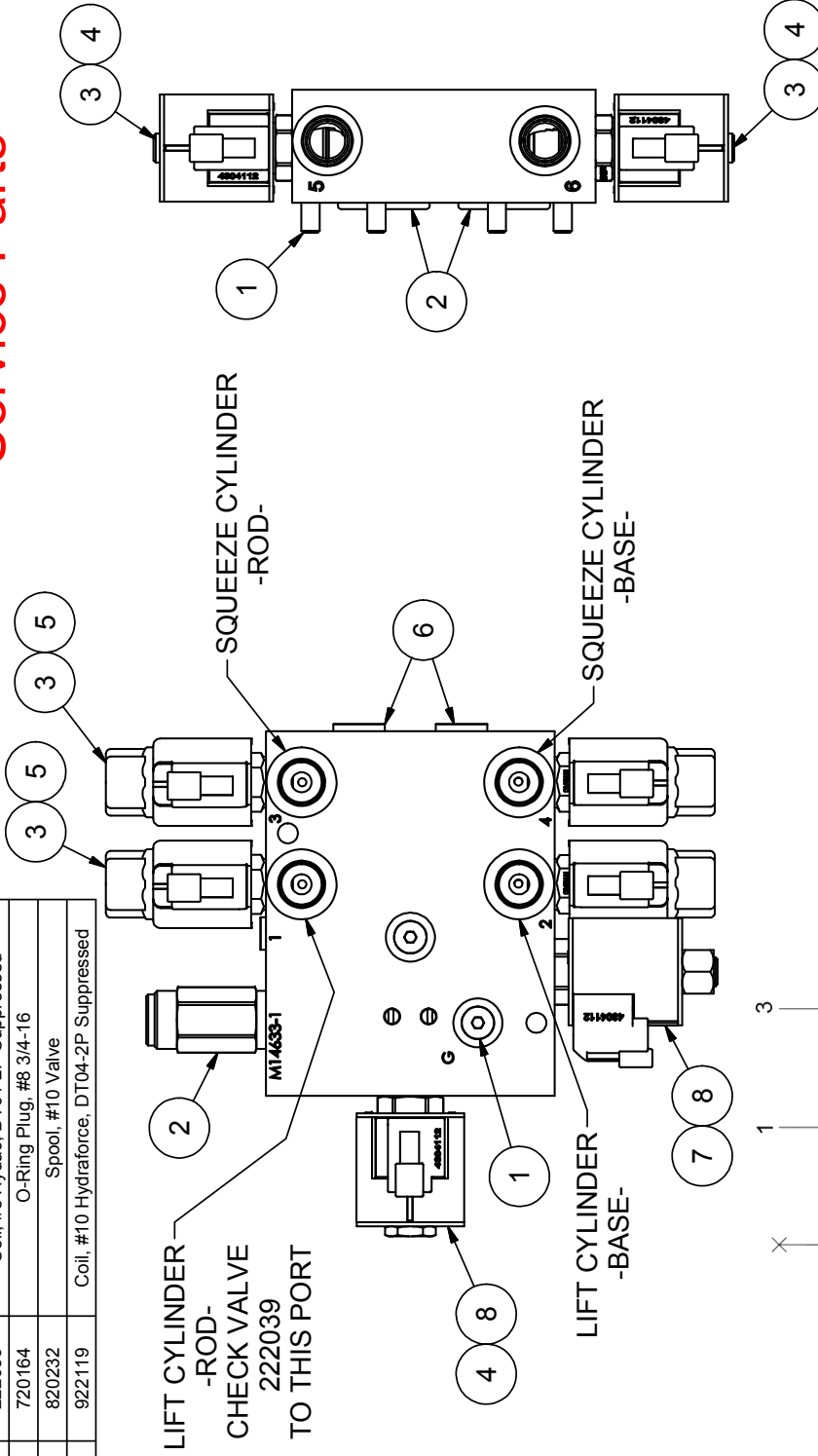


Also As Required
 120368 -- Adapter 8mj-8fjx90
 120267 -- Adapter 12mj-12fjx90

12 & 17 Gallon System
 120250 -- Adapter 12MJ-8MB

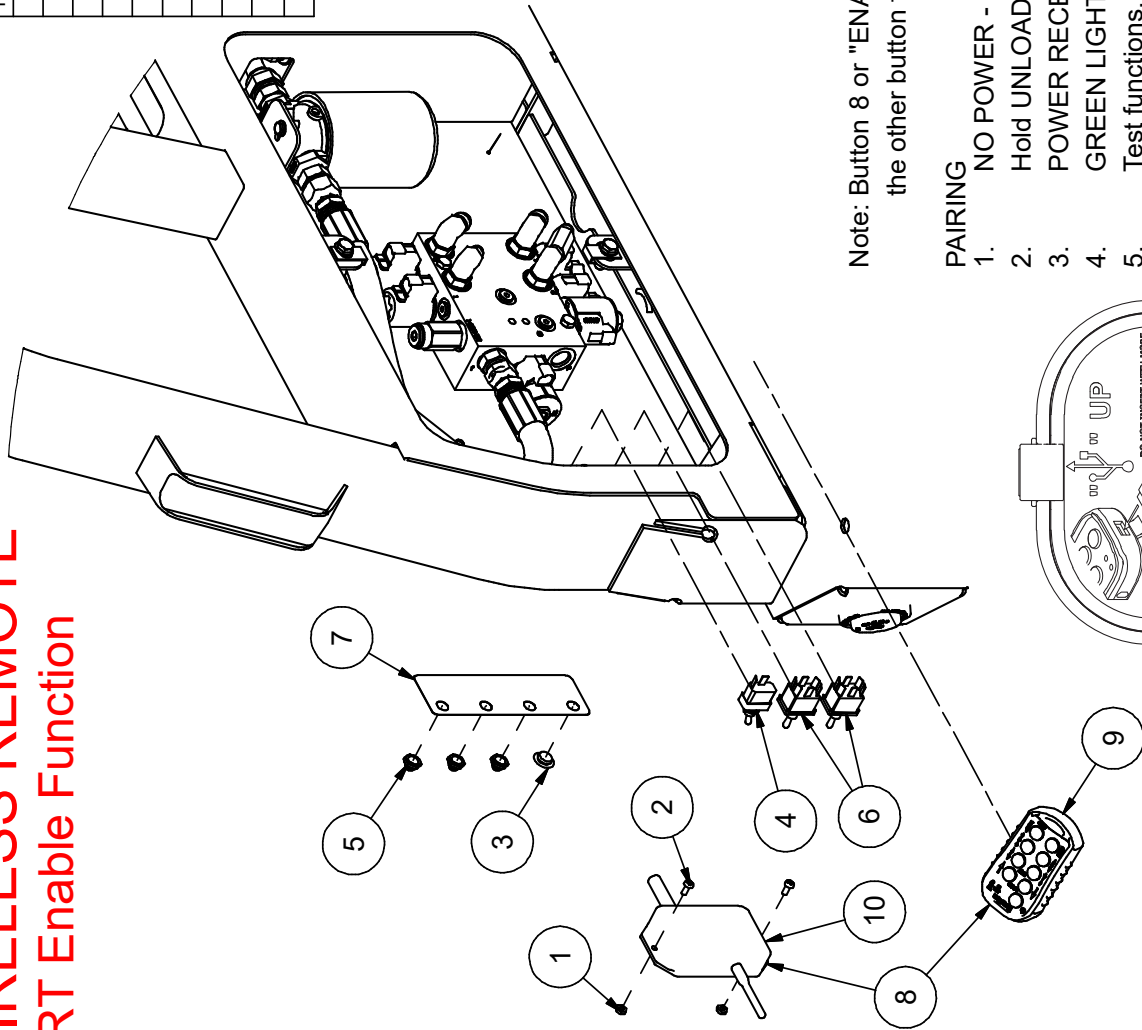
**Flatbed Valve
-08 Hydac Deutsch
Service Parts**

| Flatbed Valve, Small, Hydac Deutsch P/N 223044 | | | |
|--|-----|--------|--|
| ITEM | QTY | PART # | DESCRIPTION |
| 1 | 3 | 120062 | O-Ring Plug, #4 7/16-20 |
| 2 | 1 | 222004 | Valve, Pressure Relief |
| 3 | 4 | 222010 | Cartridge, #8 HYDAC Double Poppet |
| 4 | 1 | 222045 | #10 SOLENOID, 2 POSITION 4 WAY |
| 5 | 4 | 222059 | Coil, #8 Hydac, DT04-2P Suppressed |
| 6 | 2 | 720164 | O-Ring Plug, #8 3/4-16 |
| 7 | 1 | 820232 | Spool, #10 Valve |
| 8 | 2 | 922119 | Coil, #10 Hydratorce, DT04-2P Suppressed |



| Valve, 3rd Bank add on P/N 223045 | | | |
|-----------------------------------|-----|--------|--|
| ITEM | QTY | PART # | DESCRIPTION |
| 1 | 4 | 110168 | BOLT, 5/16-18 X 2.0 SHCS |
| 2 | 2 | 120376 | O-RING, -219, 90 DURO |
| 3 | 2 | 222003 | Valve, Poppet N.C. SOL VALVE |
| 4 | 2 | 922119 | Coil, #10 Hydratorce, DT04-2P Suppressed |

WIRELESS REMOTE RT Enable Function



Part # 132134



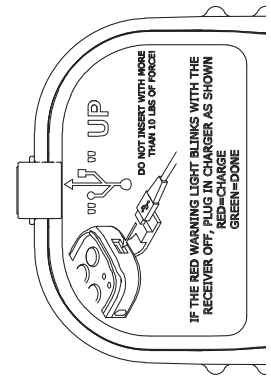
Note: Optional Latching Switch
On-Off-On is Available

Note: Button 8 or "ENABLE" has to be pressed before the other button functions work.

PAIRING

1. NO POWER - Receiver or Transmitter
2. Hold UNLOAD & ENABLE then PWR - RED & GREEN should blink.
3. POWER RECEIVER immediately (only 8 seconds or may time out)
4. GREEN LIGHT on transmitter should blink. MAY TAKE A FEW TRIES.
5. Test functions.

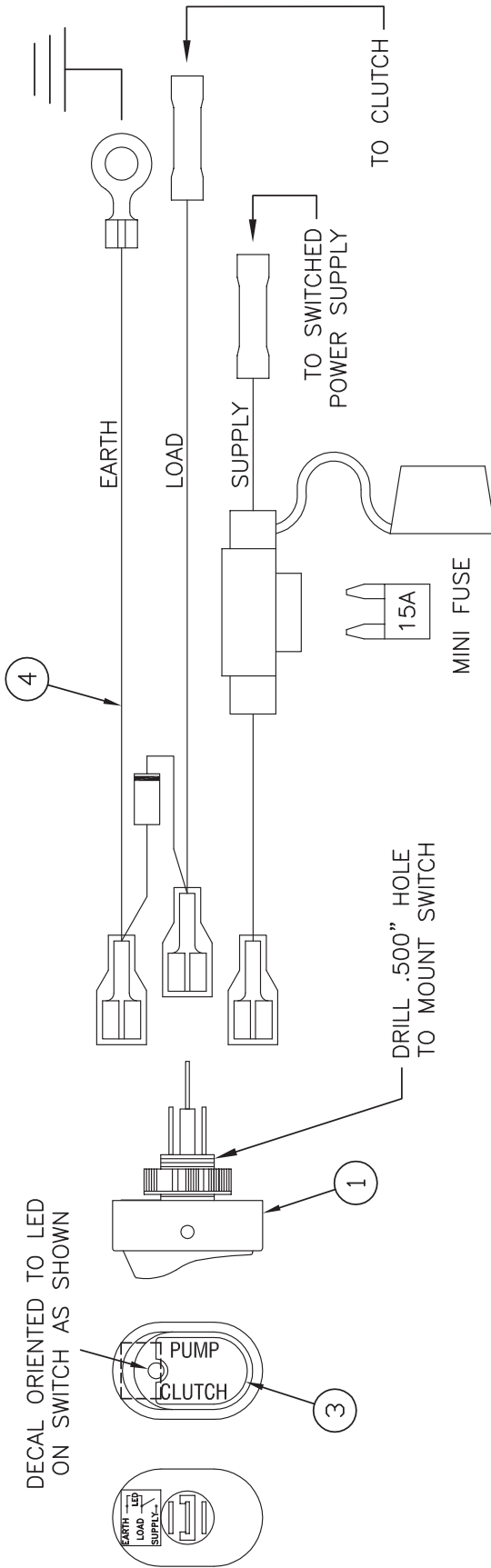
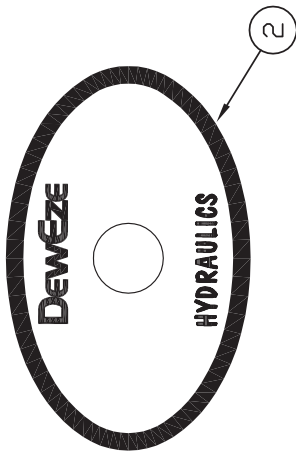
Note: RED KAR-TECH remotes will work with this system as long as the XRT program is set. Refer to the Programming Guide.



USB RECHARGEABLE

| Parts List | | |
|------------|-----|--|
| ITEM | QTY | DESCRIPTION |
| 1 | 3 | NUT, 10-24 LOCK |
| 2 | 3 | BOLT, 10-24 X .5 STAINLESS, PHILLIPS |
| 3 | 2 | PLUG, 1/2" BUTTON PLASTIC |
| 4 | 1 | Switch, Spst, Toggle .250 Tab |
| 5 | 3 | SWITCH BOOT |
| 6 | 2 | Switch, Toggle, DPDT, (On)-OFF-(ON) |
| 7 | 1 | DECAL, SWITCH IDENTIFICATION |
| 8 | 1 | Transmitter & Receiver, Macro, Kar-Tech |
| 9 | | Transmitter, Kar-Tech |
| 10 | | Receiver, W/Enable Function |
| | | Not Shown |
| | | Harness, Reel Transport, 2 Bank |
| | | Harness, Reel Transport, 3rd Bank |
| | | Charging Cable, USB 2.0 A to Micro B, 3' |

| ITEM | QUAN | PART # | NAME |
|------|------|--------|--------------------------|
| 1 | 1 | 132044 | SWITCH, SPST ROCKER LED |
| 2 | 1 | 702002 | DECAL, DEWEZE HYDRAULICS |
| 3 | 1 | 702061 | DECAL, PUMP CLUTCH |
| 4 | 1 | 732002 | HARNESS, CLUTCH CONTROL |

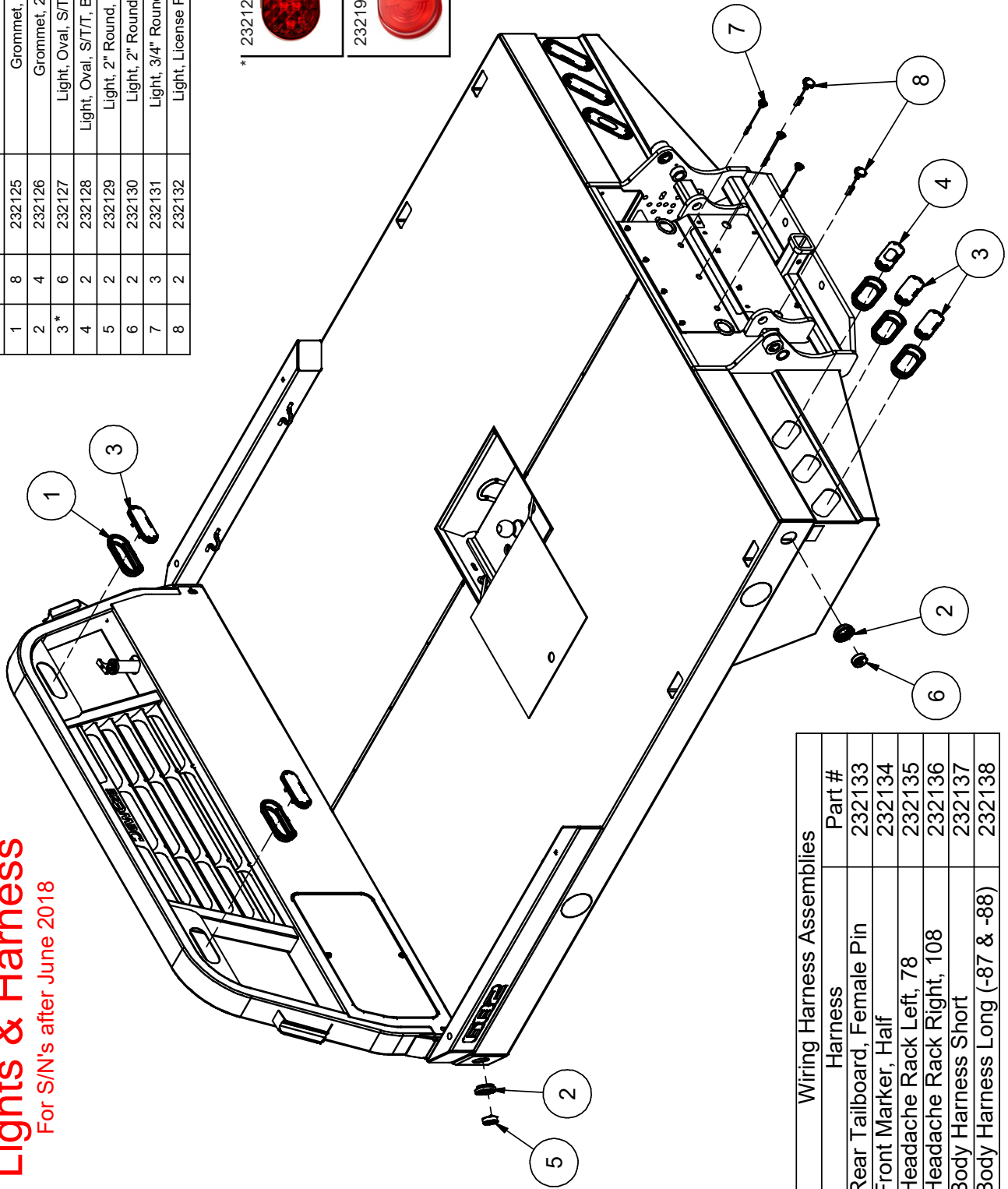


SWITCH, CLUTCH CONTROL ASSY 735001

Lights & Harness
For S/N's after June 2018

Parts List

| ITEM | QTY | PART # | DESCRIPTION |
|------|-----|--------|---|
| 1 | 8 | 232125 | Grommet, 6" Oval, Grote |
| 2 | 4 | 232126 | Grommet, 2" Round, Grote |
| 3* | 6 | 232127 | Light, Oval, S/T/T, Male Pin, Grote |
| 4 | 2 | 232128 | Light, Oval, S/T/T, BackUp, Male Pin, Grote |
| 5 | 2 | 232129 | Light, 2" Round, Amber, Grote 47113 |
| 6 | 2 | 232130 | Light, 2" Round, Red, Grote 47112 |
| 7 | 3 | 232131 | Light, 3/4" Round, Red, Grote 49332 |
| 8 | 2 | 232132 | Light, License Plate, w/Plug, Grote |



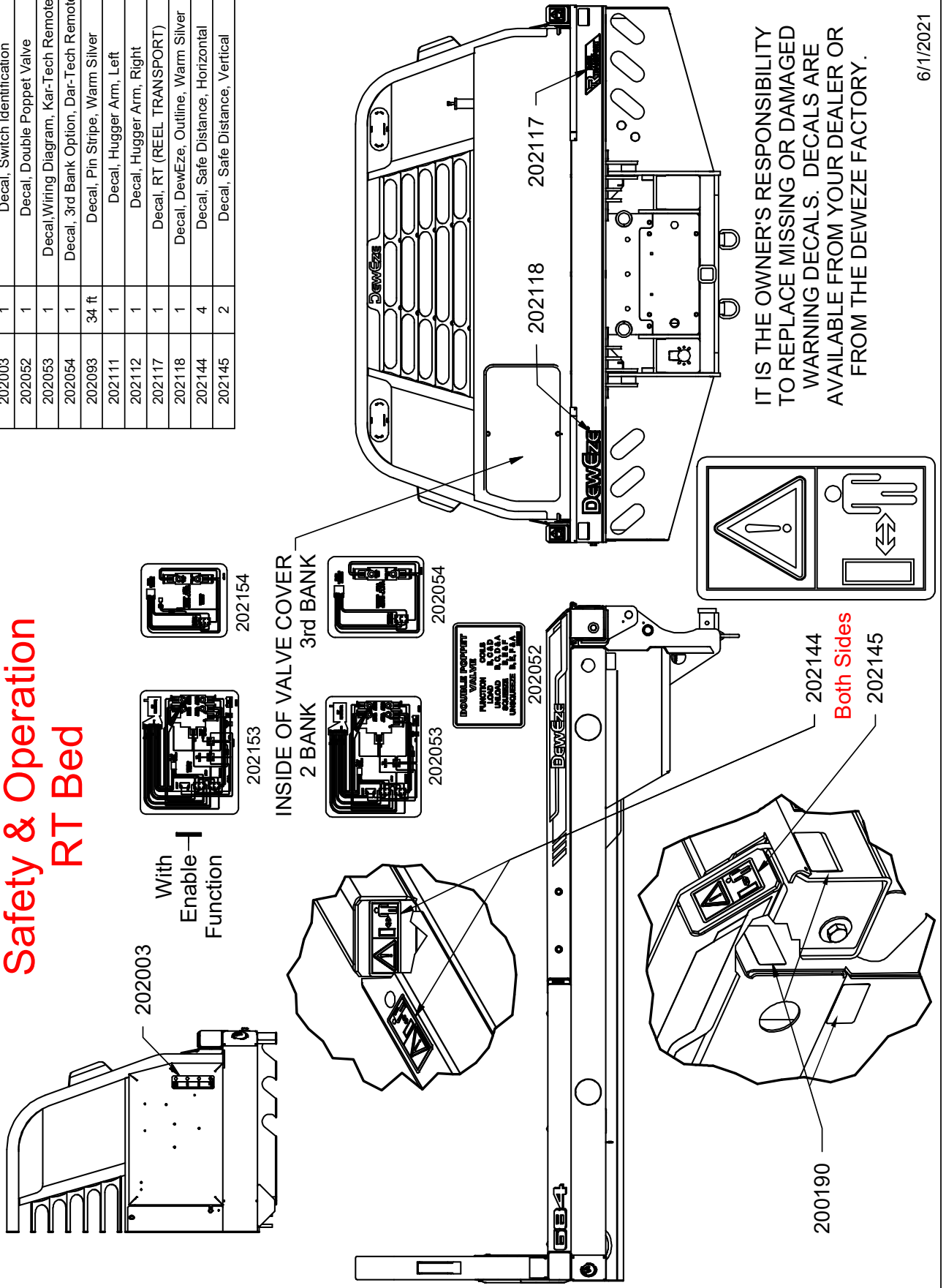
| Wiring Harness Assemblies | |
|-------------------------------|--------|
| Harness | Part # |
| Rear Tailboard, Female Pin | 232133 |
| Front Marker, Half | 232134 |
| Headache Rack Left, 78 | 232135 |
| Headache Rack Right, 108 | 232136 |
| Body Harness Short | 232137 |
| Body Harness Long (-87 & -88) | 232138 |

HARNES ADAPTERS: OEM TO DEWEZE

| ITEM | | DESCRIPTION | YEAR |
|--------|--------------------------------------|---|--|
| 232235 | FORD | Harness Adapter Ford BTO | 2023 + |
| 232184 | | Harness Adapter Ford BTO | 2020 - 2022 |
| 232192 | | BLIS add on to 232184 (Cut and cap the two red wires from existing splice. Crimp the main red wire into 232192) | - |
| 232119 | | Harness Adapter Ford BTO | 2017 - 2019 |
| 232118 | | Harness Adapter Ford BTO | 2011 - 2016 |
| 232046 | | Harness Adapter Ford BTO | 2000 - 2010 |
| 232047 | | Harness Adapter Ford CC | 2000 - 2024 |
| 232237 | | CHEVY | Harness Adapter Chevy / GMC BTO |
| 232181 | Harness Adapter Chevy / GMC BTO | | 2020 - 2023 |
| 232117 | Harness Adapter Chevy / GMC CC & BTO | | 2016 - 2019 |
| 232116 | Harness Adapter Chevy / GMC CC & BTO | | 2015 |
| 232050 | Harness Adapter Chevy / GMC BTO | | 2002 - 2014 |
| 232050 | Harness Adapter Chevy / GMC CC | | 2002 - 2014 |
| 232186 | Harness Adapter Chevy / GMC CC | | 2020 - 2023 |
| 232194 | DODGE | | Harness Adapter Dodge / Ram BTO Incandescent |
| 232233 | | Harness Adapter Dodge / Ram BTO LED Add (x2) to the 232194 | 2000 - 2023 |
| 232059 | | Harness Adapter Dodge / Ram CC | 2007 - 2024 |
| 232049 | | Harness Generic, Flatbed to Blunt Cut | - |
| 232079 | | LED Load Equalizer (Maxxima)(PL3 Connector)(Yellow Male/Black Female) | - |
| 232143 | | LED Load Equalizer (Grote Connector) (Round)(Blue Male/Blue Female) | - |

Decals Safety & Operation RT Bed

| Parts List | |
|------------|---|
| PART # | DESCRIPTION |
| 200190 | Decal, Red Reflector, Rectangle |
| 202003 | Decal, Switch Identification |
| 202052 | Decal, Double Poppet Valve |
| 202053 | Decal, Wiring Diagram, Kar-Tech Remote |
| 202054 | Decal, 3rd Bank Option, Dar-Tech Remote |
| 202093 | Decal, Pin Stripe, Warm Silver |
| 202111 | Decal, Hugger Arm, Left |
| 202112 | Decal, Hugger Arm, Right |
| 202117 | Decal, RT (REEL TRANSPORT) |
| 202118 | Decal, DewEze, Outline, Warm Silver |
| 202144 | Decal, Safe Distance, Horizontal |
| 202145 | Decal, Safe Distance, Vertical |

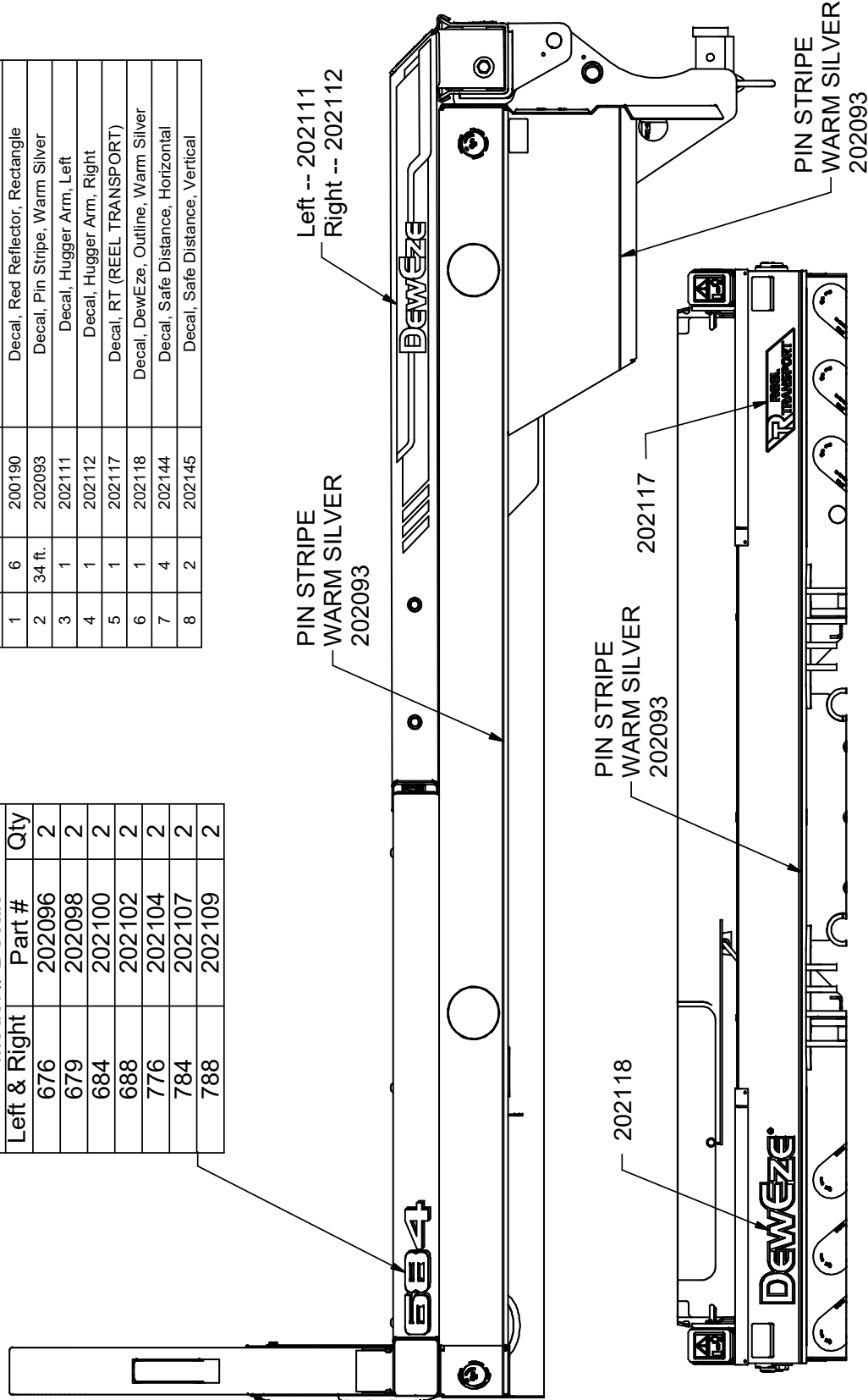


600 & 700 RT Series Decals

* Model # Decals Must be Ordered Separately

| Model # Decals | | |
|----------------|--------|-----|
| Left & Right | Part # | Qty |
| 676 | 202096 | 2 |
| 679 | 202098 | 2 |
| 684 | 202100 | 2 |
| 688 | 202102 | 2 |
| 776 | 202104 | 2 |
| 784 | 202107 | 2 |
| 788 | 202109 | 2 |

| Decal Kit, 6-700 RT Series Part # 205294 | | |
|--|--------|--|
| ITEM | QTY | DESCRIPTION |
| 1 | 6 | 200190 Decal, Red Reflector, Rectangle |
| 2 | 34 ft. | 202093 Decal, Pin Stripe, Warm Silver |
| 3 | 1 | 202111 Decal, Hugger Arm, Left |
| 4 | 1 | 202112 Decal, Hugger Arm, Right |
| 5 | 1 | 202117 Decal, RT (REEL TRANSPORT) |
| 6 | 1 | 202118 Decal, DewEze, Outline, Warm Silver |
| 7 | 4 | 202144 Decal, Safe Distance, Horizontal |
| 8 | 2 | 202145 Decal, Safe Distance, Vertical |

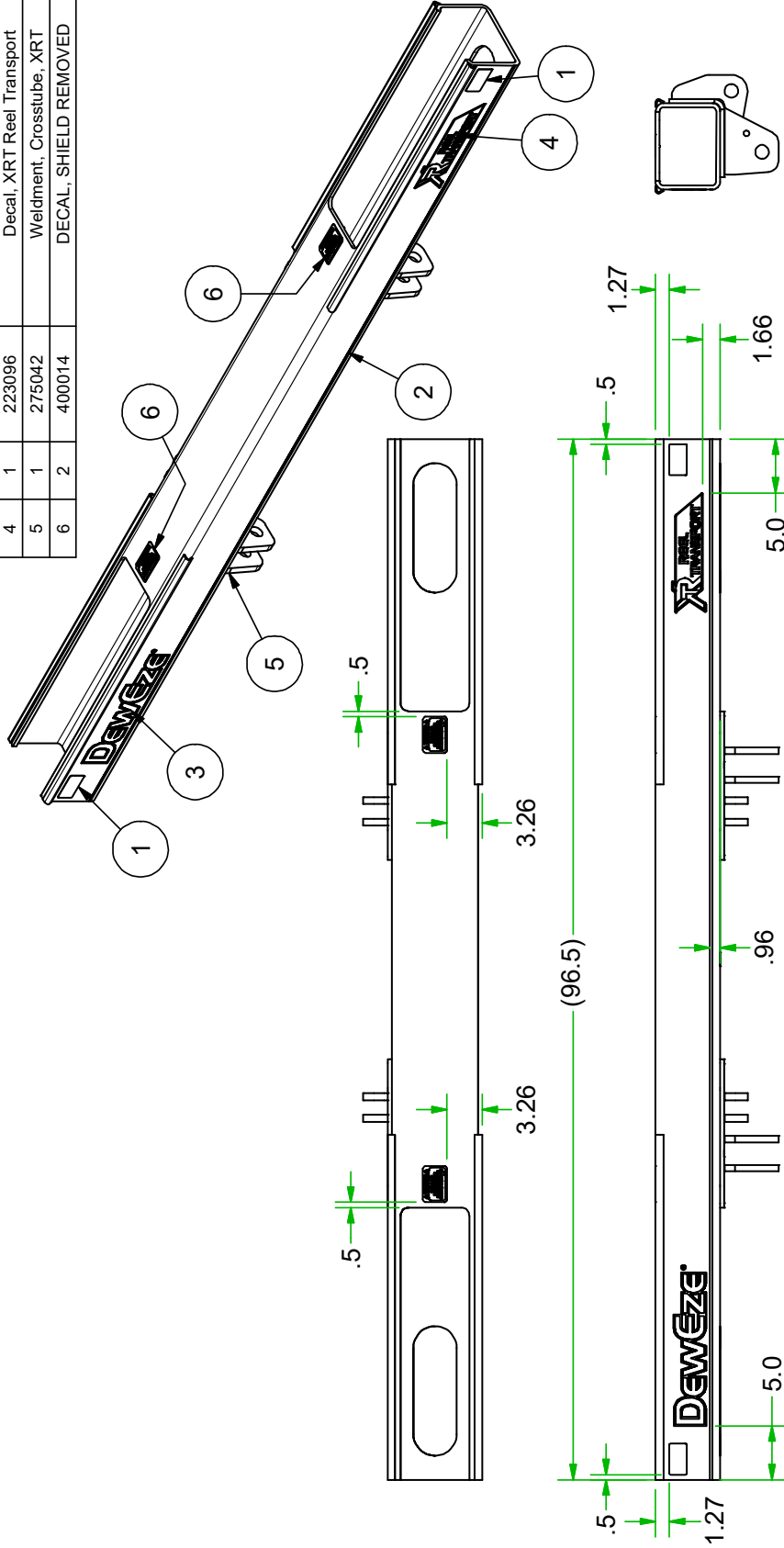


12/7/2021

205405 REV: NC

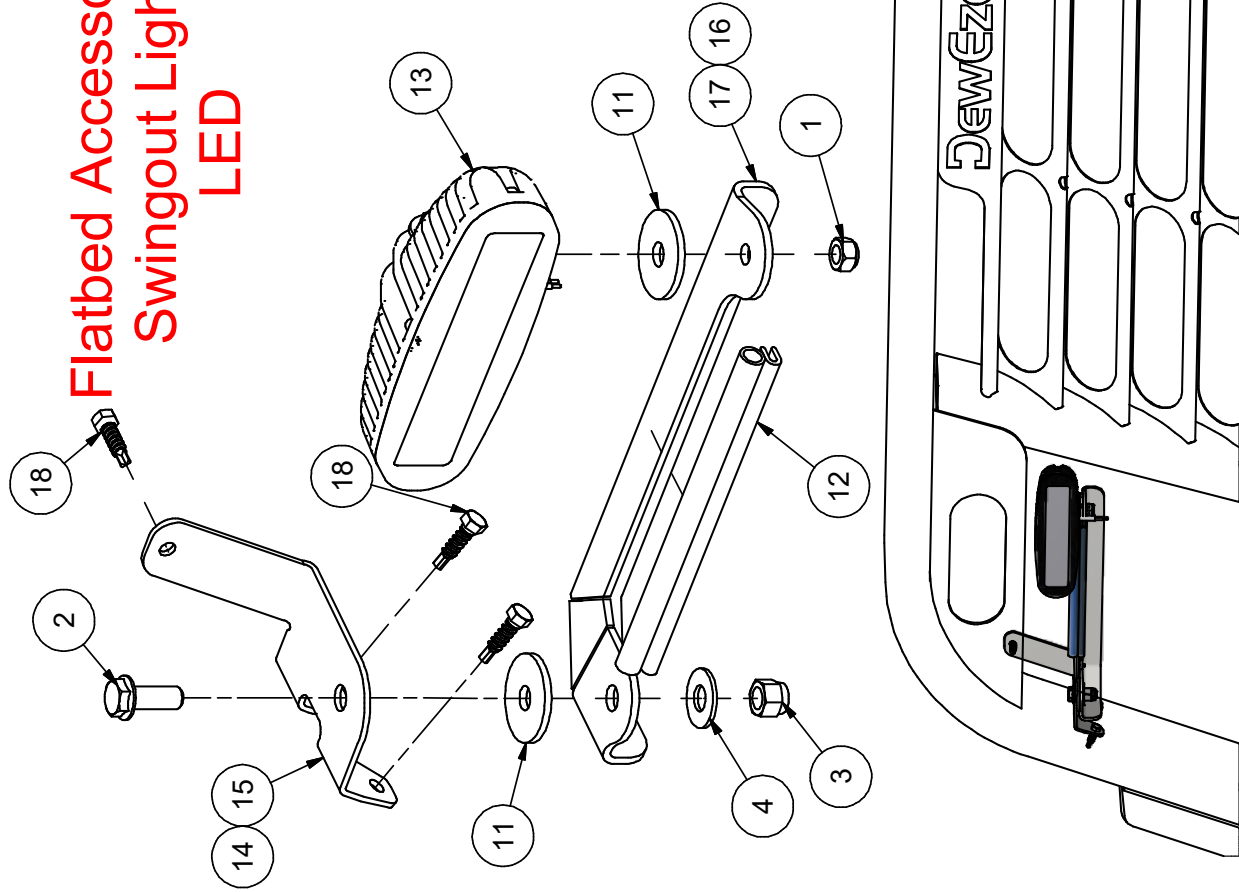
Parts List

| ITEM | QTY | PART # | DESCRIPTION |
|------|-----|--------|-------------------------------------|
| 1 | 2 | 200190 | Decal, Red Reflector, Rectangle |
| 2 | 8ft | 202093 | Decal, Pin Stripe, -40 Warm Silver |
| 3 | 1 | 202118 | Decal, DewEze, Outline, Warm Silver |
| 4 | 1 | 223096 | Decal, XRT Reel Transport |
| 5 | 1 | 275042 | Weldment, Crosstube, XRT |
| 6 | 2 | 400014 | DECAL, SHIELD REMOVED |



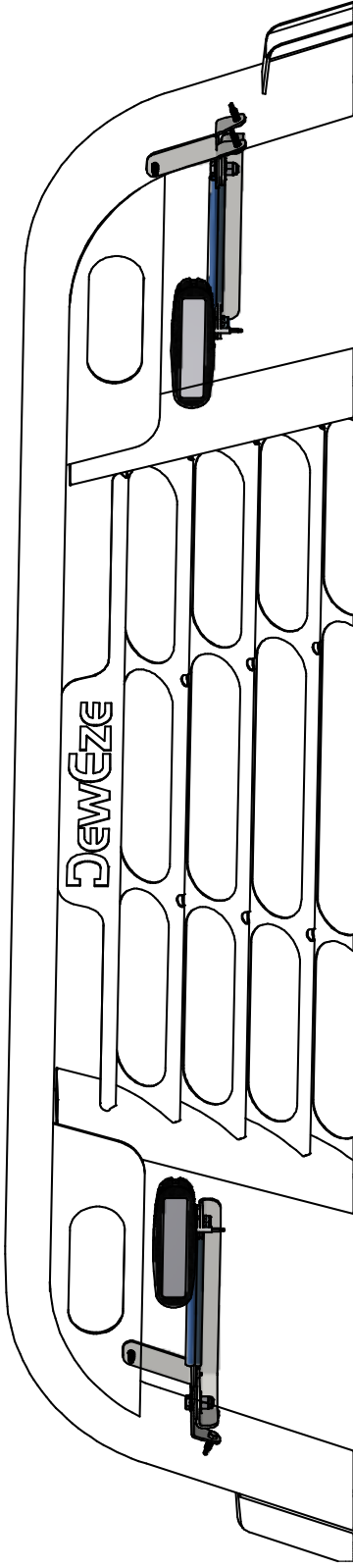
XRT DECALS

Flatbed Accessories Swingout Lights LED



Swingout Light Kit, Part# 205114

| ITEM | QTY | PART # | DESCRIPTION |
|------|------|--------|--|
| 1 | 2 | 110230 | NUT, M8 X 1.25, LOCK NYLON |
| 2 | 2 | 110440 | BOLT, 3/8-16 X 1, WIZ FLANGE |
| 3 | 2 | 110618 | NUT, 3/8-16 LOCK NYLON INSERT |
| 4 | 2 | 110676 | WASHER, 3/8" FLAT STANDARD |
| 5 | 5 ft | 130004 | Wire, 14ga Black |
| 6 | 1 | 132035 | SWITCH BOOT |
| 7 | 1 | 132135 | Switch, Toggle, SPST, On-Off |
| 8 | 3 | 132147 | Terminal, Butt Connector, 16-14, Heat Shrink |
| 9 | 2 | 132148 | Terminal, Ring, 16-14, 1/4", Heat Shrink |
| 10 | 1 | 132149 | Terminal, Multi-Wire Butt Connector, Heat Shrink |
| 11 | 4 | 211747 | FRICITION WASHER 1.5" |
| 12 | 2 | 211749 | SWINGLIGHT EDGE TRIM |
| 13 | 2 | 232139 | Light, LED, 5" Rect, Flood, W/Connector |
| 14 | 1 | 260622 | Bracket, Swing Light, Base, Right |
| 15 | 1 | 260623 | Bracket, Swing Light, Base, Left |
| 16 | 1 | 260624 | Bracket, Swing Light, Arm, Right |
| 17 | 1 | 260625 | Bracket, Swing Light, Arm, Left |
| 18 | 6 | 710586 | SCREW, 1/4 X 1 TEK SELF-TAP |

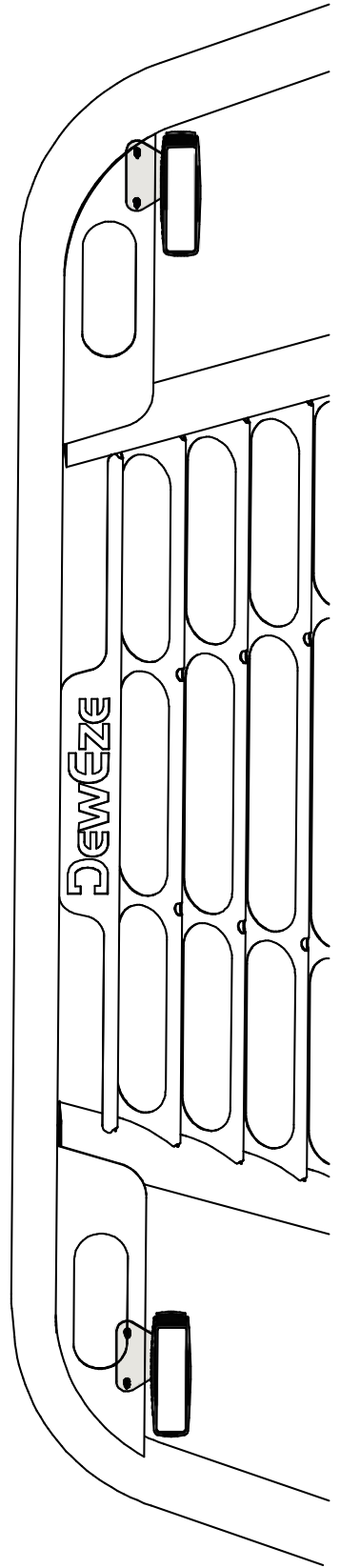
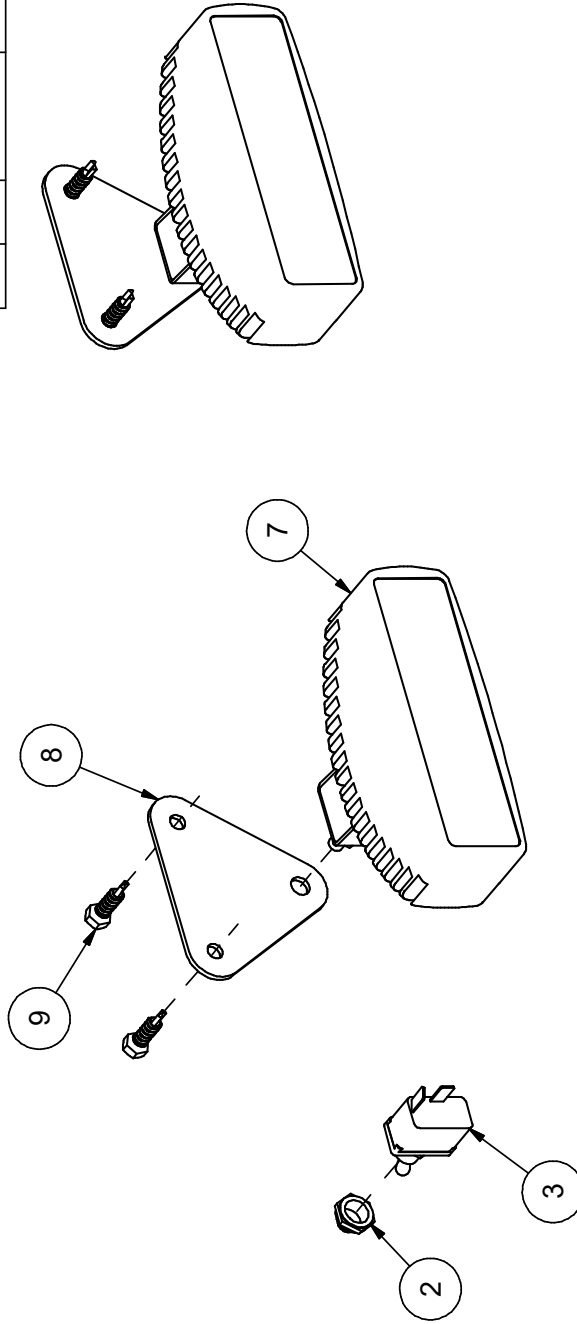


10/2/2018

Flatbed Accessories Cargo Lights LED

Cargo Light Kit, Part# 205113

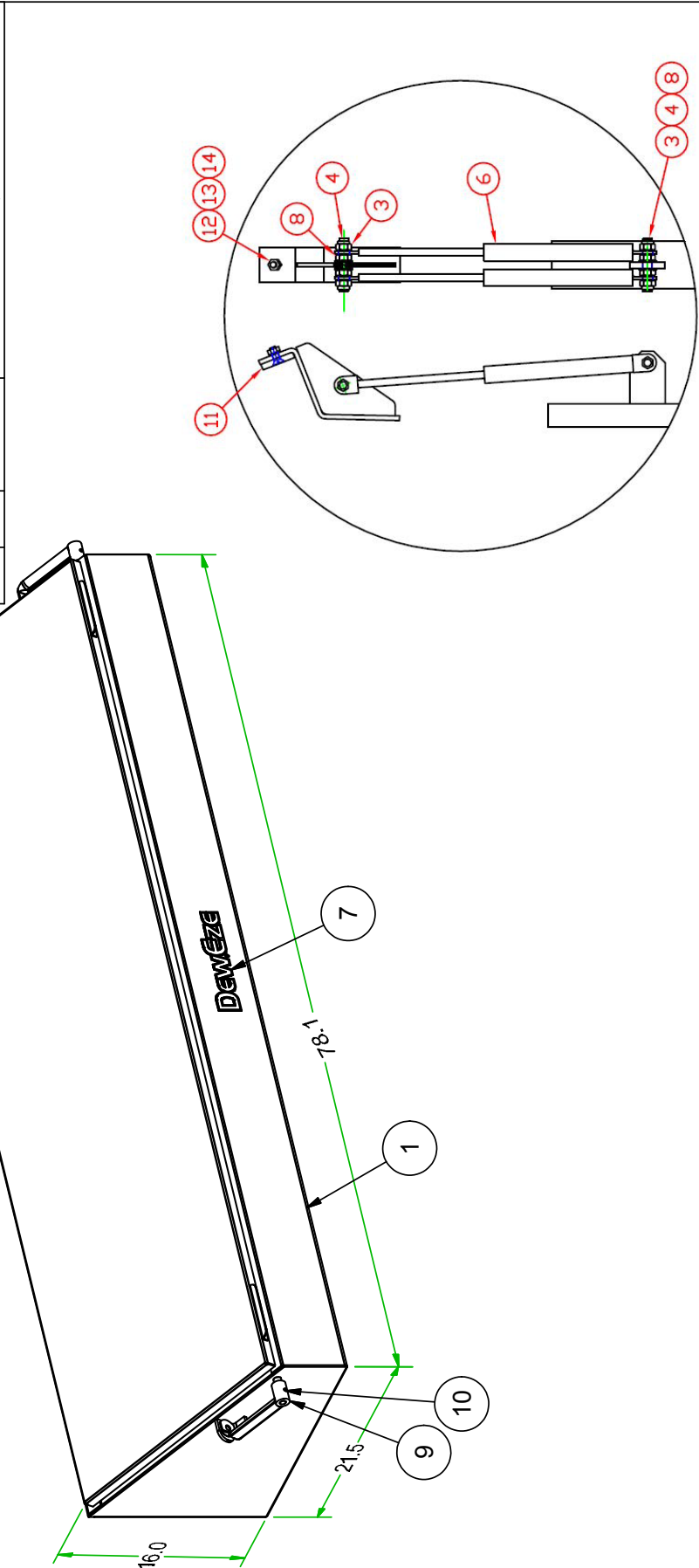
| ITEM | QTY | PART # | DESCRIPTION |
|------|------|--------|--|
| 1 | 5 ft | 130004 | Wire, 14ga Black |
| 2 | 1 | 132035 | SWITCH BOOT |
| 3 | 1 | 132135 | Switch, Toggle, SPST, On-Off |
| 4 | 3 | 132147 | Terminal, Butt Connector, 16-14, Heat Shrink |
| 5 | 2 | 132148 | Terminal, Ring, 16-14, 1/4", Heat Shrink |
| 6 | 1 | 132149 | Terminal, Multi-Wire Butt Connector, Heat Shrink |
| 7 | 2 | 232139 | Light, LED, 5" Rect, Flood, W/Connector |
| 8 | 2 | 260626 | Bracket, Cargo Light |
| 9 | 4 | 710586 | SCREW, 1/4 X 1 TEK SELF-TAP |



10/2/2018

Flatbed Accessories Across the Bed Toolbox

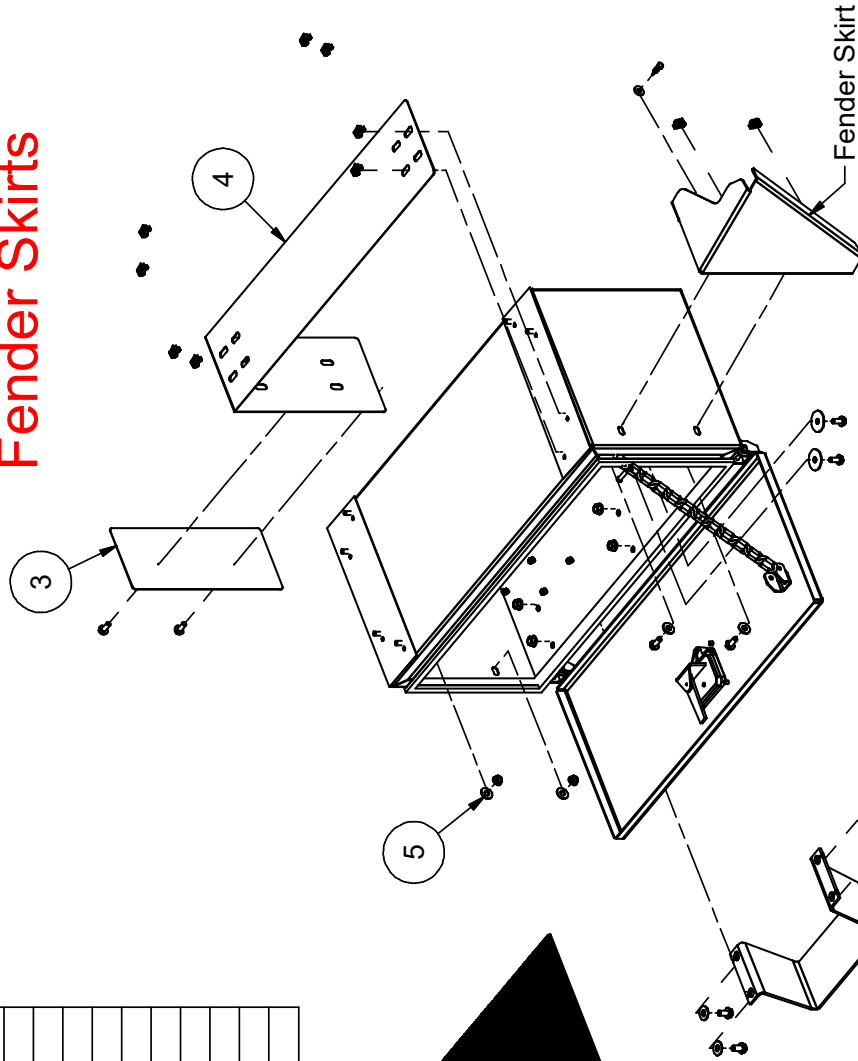
| Across the Bed Toolbox, Part# 210915 | | DESCRIPTION |
|--------------------------------------|-----|-------------|
| ITEM | QTY | PART # |
| 1 | 1 | 210914 |
| 2 | 2 | 211132 |
| 3 | 4 | 110618 |
| 4 | 1 | 210908 |
| 5 | 2 | 211134 |
| 6 | 2 | 500078 |
| 7 | 1 | 400010 |
| 8 | 4 | 110645 |
| 9 | 1 | 211143 |
| 10 | 2 | 110239 |
| 11 | 1 | 211138 |
| 12 | 1 | 110238 |
| 13 | 1 | 110667 |
| 14 | 1 | 110609 |



3/21/2011

Flatbed Accessories 30" Toolbox Fender Skirts

| Toolbox Complete W/Step, Part# 205011 | | | |
|---------------------------------------|-------|--------|----------------------------------|
| ITEM | QTY | PART # | DESCRIPTION |
| 1 | 1 | 211109 | STEP, TOOLBOX |
| 2 | .7 ft | 100449 | Traction Pad |
| 3 | 1 | 202001 | DECAL, CHIP GUARD |
| 4 | 1 | 211684 | SHIELD, TOP & SIDE |
| 5 | 1 | 205012 | BOLT PACKAGE |
| | 10 | 110258 | NUT, 5/16-18, CAGE TINNERMAN |
| | 12 | 110444 | BOLT, 5/16-18 X 0.75, WIZ FLANGE |
| | 4 | 110437 | BOLT, 3/8-16 X 0.75, WIZ FLANGE |
| | 4 | 110645 | NUT, 3/8-16 WIZ FLANGE |
| | 4 | 110676 | WASHER, 3/8" FLAT STANDARD |
| | 2 | 110606 | NUT, 5/16-18 WIZ FLANGE |
| | 4 | 110665 | WASHER, 5/16" FLAT STANDARD |
| | 8 | 110049 | WASHER, 5/16" X 1 1/2 FENDER |

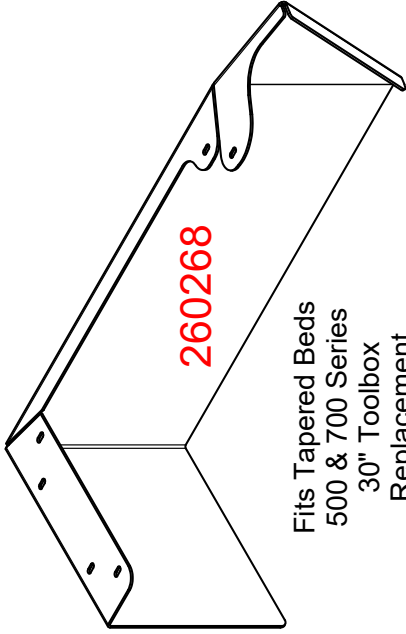


| Fender Skirts | Kits | Left | Right |
|---------------|-------|--------|--------|
| 400 Series | Short | 260269 | 260270 |
| | Long | 211293 | 211294 |
| 500 Series | Short | 260271 | 260272 |
| | Long | 211587 | 211588 |
| 600 Series | Short | 260269 | 260270 |
| | Long | 260273 | 260274 |
| 700 Series | Short | 260271 | 260272 |
| | Long | 260275 | 260276 |

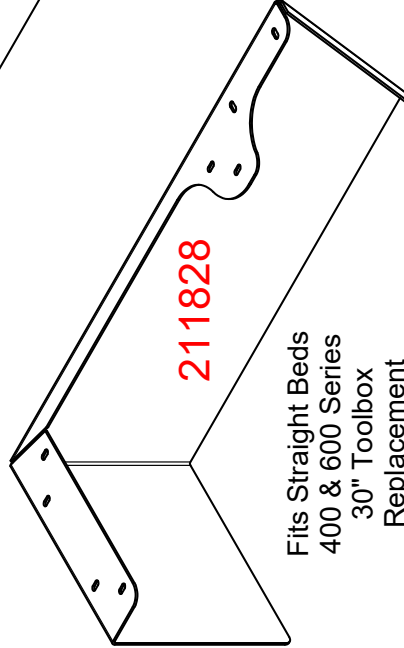
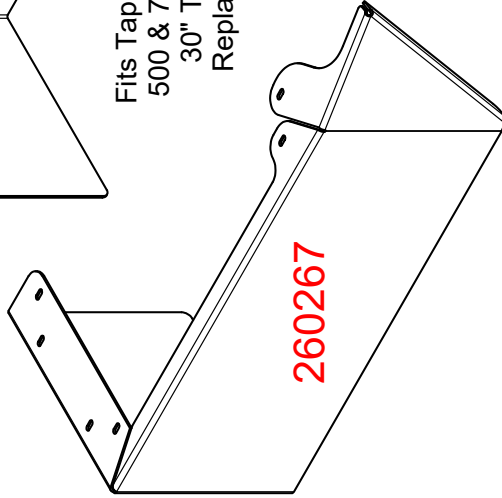
| Service Parts for Toolbox | | |
|---------------------------|--------|---------------------------------------|
| QTY | PART # | DESCRIPTION |
| 4 | 110174 | NUT, 1/4-20 LOCK 2-WAY |
| 3 | 112011 | PUSH NUT, WASHER CAP STYLE |
| 3 | 112095 | CLEVIS PIN, STD ZP 1/4 X 1 5/8 |
| 1 | 202010 | SEAL, TOOLBOX LID (TRIM-LOK X-2897) |
| 1 | 211119 | TOOL BOX MAT |
| 2 | 212003 | Gasket, Toolbox Mount use DK1111 Foam |
| 1 | 212017 | Latch, Toolbox w/Studs, Key & Gasket |
| 1 | 212015 | Gasket, Toolbox Latch |
| 1 | 212016 | Key, Toolbox Latch |
| 1 | 205014 | Door, Toolbox, Service Part |

Front Skirt Toolbox Replacement

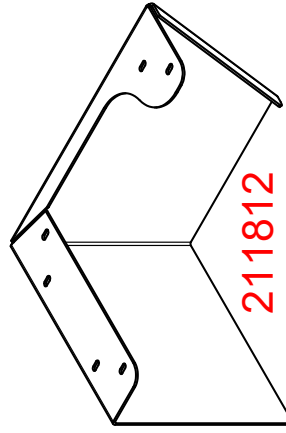

215116
 Bolt Kit
 1ea Required
 Per Fenderskirt



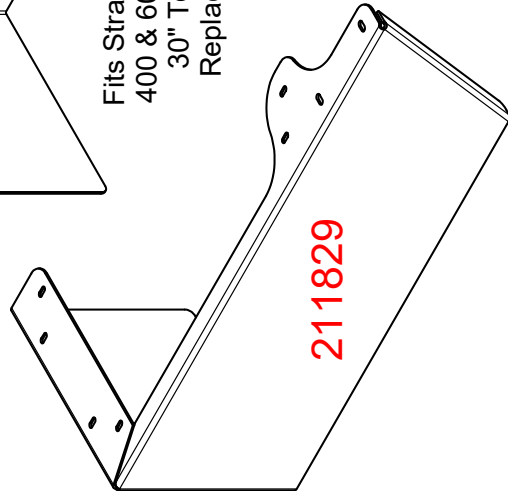
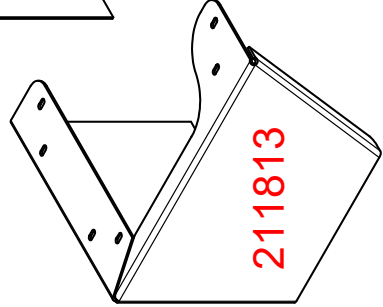
Fits Tapered Beds
 500 & 700 Series
 30" Toolbox
 Replacement



Fits Straight Beds
 400 & 600 Series
 30" Toolbox
 Replacement

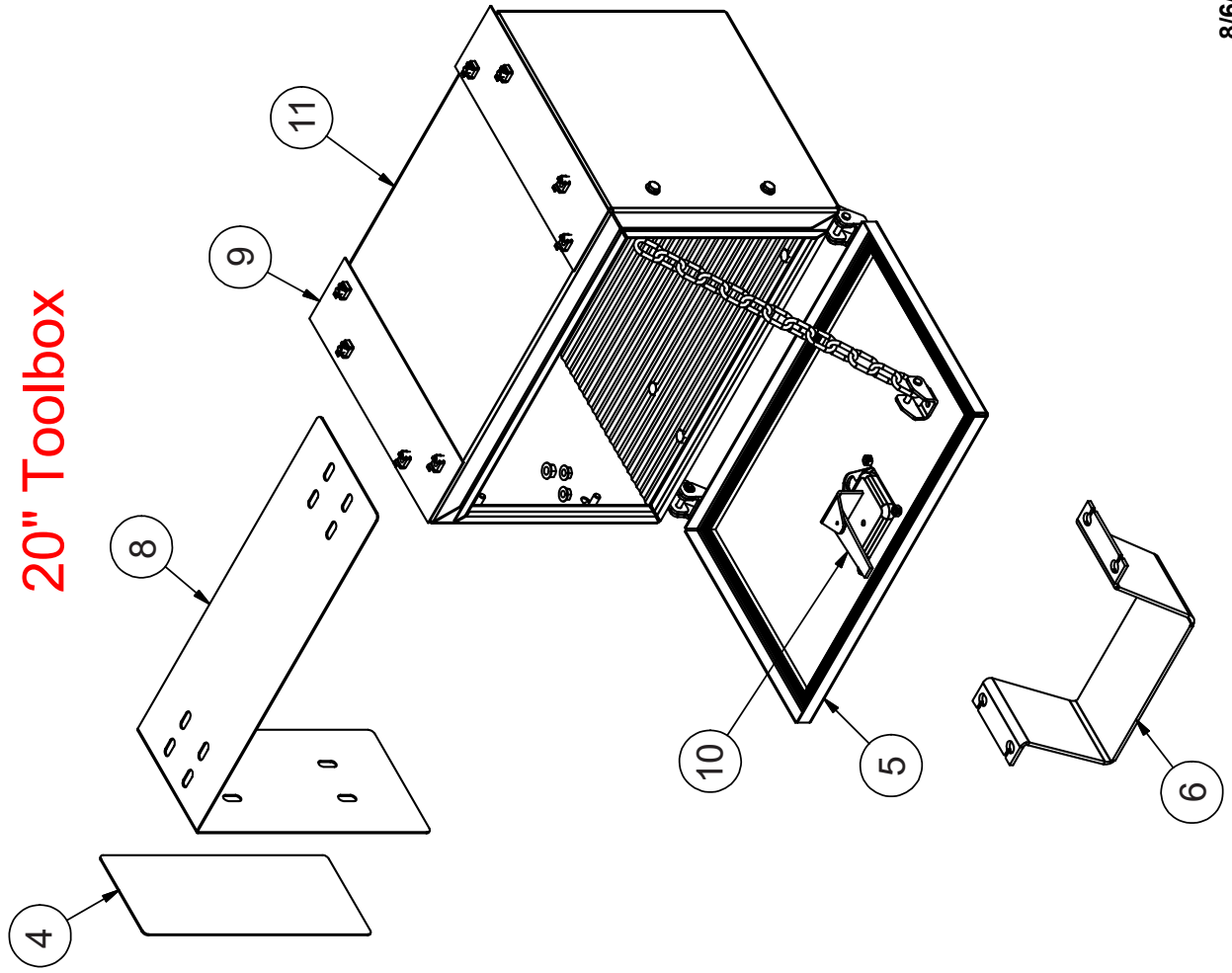


Fits Short Beds
 20" Toolbox
 Replacement

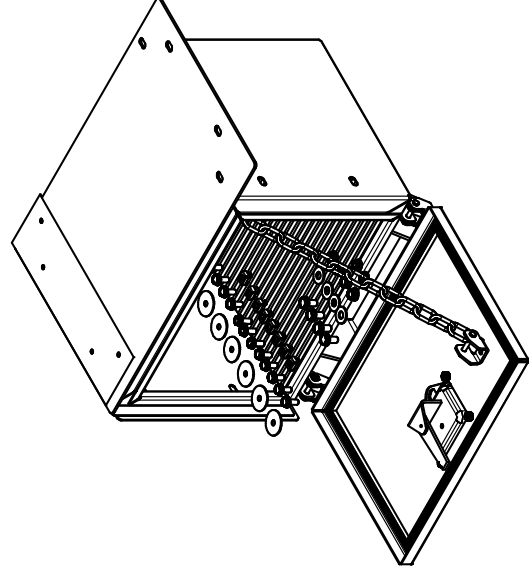
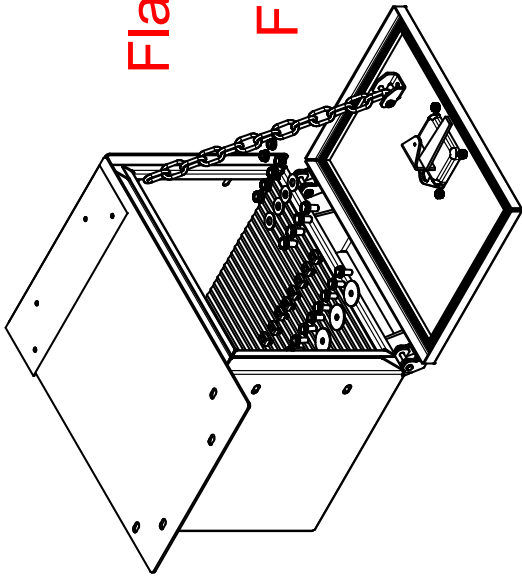


| 20" TOOLBOX W/STEP 205030 | |
|---------------------------|---|
| ITEM | DESCRIPTION |
| 1 | 100449 Traction Pad |
| 2 | 4 110174 Nut, 1/4-20 Lock 2-Way |
| 3 | 1 205012 Bolt Package |
| 3.1 | 8 110049 Washer, 5/16 X 1.50 Fender |
| 3.2 | 12 110258 Nut, 5/16-18, Cage Tinnerman |
| 3.3 | 4 110437 Bolt, 3/8-16 X 0.75, Wiz Flange |
| 3.4 | 14 110444 Bolt, 5/16-18 X 0.75, Wiz Flange |
| 3.5 | 2 110606 Nut, 5/16-18 Wiz Flange |
| 3.6 | 4 110645 Nut, 3/8-16 Wiz Flange |
| 3.7 | 4 110665 Washer, 5/16" Flat Standard |
| 3.8 | 4 110676 Washer, 3/8" Flat Standard |
| 4 | 1 202001 Decal, Chip Guard |
| 5 | 1 205489 Toolbox Lid 20" |
| 5.1 | 3 112011 Push Nut, Washer Cap Style |
| 5.2 | 3 112095 Clevis Pin, Std Zp 1/4 X 1 5/8 |
| 5.3 | 1 202010 Seal, Toolbox Lid (Trim-Lok X-2897) |
| 5.4 | 1 215133 Toolbox Door & Hinge Weldment 20" |
| 5.5 | 2 270139 Toolbox Door Hinge, Inner Half |
| 6 | 1 211109 Step, Toolbox |
| 7 | 1 211248 Toolbox Mat 20" |
| 8 | 1 211593 Toolbox Chip Guard 20" |
| 9 | 2 212003 Gasket, Toolbox Mount |
| 10 | 1 212017 Latch, Toolbox W/Studs, Key & Gasket |
| 10.1 | 1 212015 Gasket, Toolbox Latch |
| 11 | 1 215131 Toolbox & Hinge Weldment 20" |

Flatbed Accessories 20" Toolbox



Flatbed Accessories
17" Toolbox
Fits 20" Mounting



Toolbox Complete W/Step, 17" Left (205139)

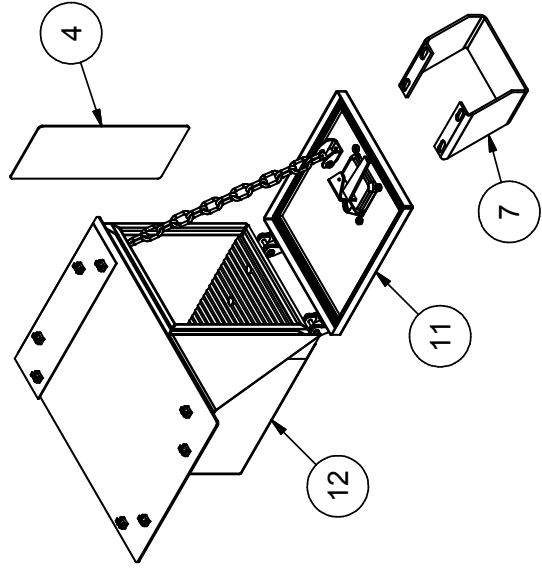
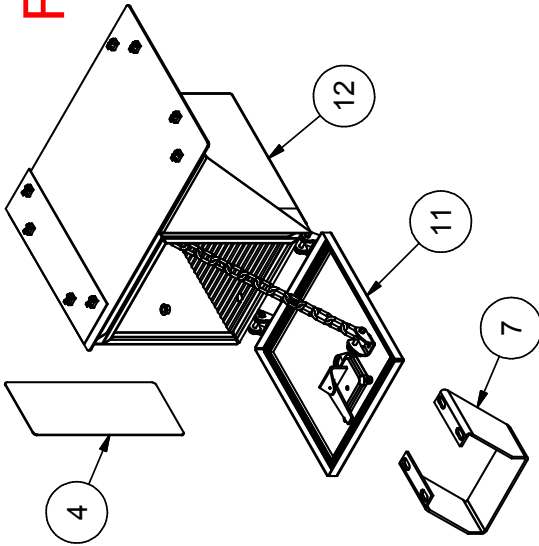
| ITEM | QTY | PART # | DESCRIPTION |
|------|--------|----------------------------------|--------------------------------------|
| 1 | 4 | 110174 | NUT, 1/4-20 LOCK 2-WAY |
| 2 | 3 | 112011 | PUSH NUT, WASHER CAP STYLE |
| 3 | 3 | 112095 | CLEVIS PIN, STD ZP 1/4 X 1 5/8 |
| 4 | 1 | 202001 | DECAL, CHIP GUARD |
| 5 | 1 | 202010 | SEAL, TOOLBOX LID (TRIM-LOK X-2897) |
| 6 | 1 | 205012 | BOLT PACKAGE |
| 8 | 110049 | WASHER, 5/16 X 1.50 FENDER | |
| 12 | 110258 | NUT, 5/16-18, CAGE TINNERMAN | |
| 4 | 110437 | BOLT, 3/8-16 X 0.75, WIZ FLANGE | |
| 14 | 110444 | BOLT, 5/16-18 X 0.75, WIZ FLANGE | |
| 2 | 110606 | NUT, 5/16-18 WIZ FLANGE | |
| 4 | 110645 | NUT, 3/8-16 WIZ FLANGE | |
| 4 | 110665 | WASHER, 5/16" FLAT STANDARD | |
| 4 | 110676 | WASHER, 3/8" FLAT STANDARD | |
| 7 | 1 | 211109 | STEP, TOOLBOX |
| | .7 ft | 100449 | Traction Pad |
| 8 | 1 | 212003 | GASKET, TOOLBOX MOUNT |
| 9 | 1 | 212017 | Latch, Toolbox w/Studs, Key & Gasket |
| | 1 | 212015 | Gasket, Toolbox Latch |
| 10 | 1 | 215213 | WELDMENT, TOOLBOX DOOR & HINGE, 17" |
| 11 | 1 | 215393 | Weldment, 17" Left, Toolbox & Hinge |
| 12 | 1 | 260719 | Toolbox Mat, 17" |

Toolbox Complete W/Step, 17" Right (205138)

| ITEM | QTY | PART # | DESCRIPTION |
|------|--------|----------------------------------|--------------------------------------|
| 1 | 4 | 110174 | NUT, 1/4-20 LOCK 2-WAY |
| 2 | 3 | 112011 | PUSH NUT, WASHER CAP STYLE |
| 3 | 3 | 112095 | CLEVIS PIN, STD ZP 1/4 X 1 5/8 |
| 4 | 1 | 202001 | DECAL, CHIP GUARD |
| 5 | 1 | 202010 | SEAL, TOOLBOX LID (TRIM-LOK X-2897) |
| 6 | 1 | 205012 | BOLT PACKAGE |
| 8 | 110049 | WASHER, 5/16 X 1.50 FENDER | |
| 12 | 110258 | NUT, 5/16-18, CAGE TINNERMAN | |
| 4 | 110437 | BOLT, 3/8-16 X 0.75, WIZ FLANGE | |
| 14 | 110444 | BOLT, 5/16-18 X 0.75, WIZ FLANGE | |
| 2 | 110606 | NUT, 5/16-18 WIZ FLANGE | |
| 4 | 110645 | NUT, 3/8-16 WIZ FLANGE | |
| 4 | 110665 | WASHER, 5/16" FLAT STANDARD | |
| 4 | 110676 | WASHER, 3/8" FLAT STANDARD | |
| 7 | 1 | 211109 | STEP, TOOLBOX |
| | .7 ft | 100449 | Traction Pad |
| 8 | 1 | 212003 | GASKET, TOOLBOX MOUNT |
| 9 | 1 | 212017 | Latch, Toolbox w/Studs, Key & Gasket |
| | 1 | 212015 | Gasket, Toolbox Latch |
| 10 | 1 | 215213 | WELDMENT, TOOLBOX DOOR & HINGE, 17" |
| 11 | 1 | 215394 | Weldment, 17" Right, Toolbox & Hinge |
| 12 | 1 | 260719 | Toolbox Mat, 17" |

11/7/2017

Flatbed Accessories
12" Toolbox
Fits 20" Mounting



11/7/2017

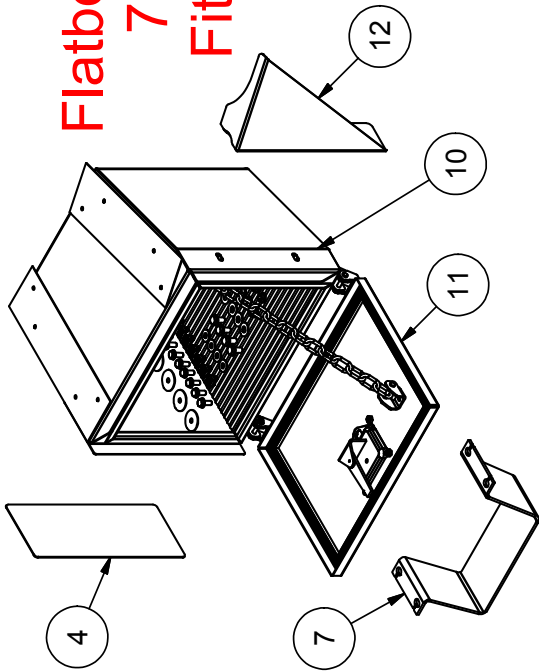
Toolbox Complete W/Step, 12" Right (205032)

| ITEM | QTY | PART # | DESCRIPTION |
|------|-------|--------|--------------------------------------|
| 1 | 4 | 110174 | NUT, 1/4-20 LOCK 2-WAY |
| 2 | 3 | 112011 | PUSH NUT, WASHER CAP STYLE |
| 3 | 3 | 112095 | CLEVIS PIN, STD ZP 1/4 X 1 5/8 |
| 4 | 1 | 202001 | DECAL, CHIP GUARD |
| 5 | 1 | 202010 | SEAL, TOOLBOX LID (TRIM-LOK X-2897) |
| 6 | 1 | 205012 | BOLT PACKAGE |
| 8 | 8 | 110049 | WASHER, 5/16 X 1.50 FENDER |
| 12 | 12 | 110258 | NUT, 5/16-18, CAGE TINNERMAN |
| 4 | 4 | 110437 | BOLT, 3/8-16 X 0.75, WIZ FLANGE |
| 14 | 14 | 110444 | BOLT, 5/16-18 X 0.75, WIZ FLANGE |
| 2 | 2 | 110606 | NUT, 5/16-18 WIZ FLANGE |
| 4 | 4 | 110645 | NUT, 3/8-16 WIZ FLANGE |
| 4 | 4 | 110665 | WASHER, 5/16" FLAT STANDARD |
| 4 | 4 | 110676 | WASHER, 3/8" FLAT STANDARD |
| 7 | 1 | 210697 | STEP TOOL BOX |
| | .5 ft | 100449 | Traction Pad |
| 8 | 1 | 211871 | TOOLBOX MAT 12" |
| 9 | 1 | 212003 | GASKET, TOOLBOX MOUNT |
| 10 | 1 | 212017 | Latch, Toolbox w/Studs, Key & Gasket |
| | | 212015 | Gasket, Toolbox Latch |
| 11 | 1 | 215136 | TOOLBOX DOOR & HINGE WELDMNT 12" |
| 12 | 1 | 215152 | WELDMENT, TOOLBOX 12" W/SKIRT, RIGHT |

Toolbox Complete W/Step, 12" Left (205033)

| ITEM | QTY | PART # | DESCRIPTION |
|------|-------|--------|--------------------------------------|
| 1 | 4 | 110174 | NUT, 1/4-20 LOCK 2-WAY |
| 2 | 3 | 112011 | PUSH NUT, WASHER CAP STYLE |
| 3 | 3 | 112095 | CLEVIS PIN, STD ZP 1/4 X 1 5/8 |
| 4 | 1 | 202001 | DECAL, CHIP GUARD |
| 5 | 1 | 202010 | SEAL, TOOLBOX LID (TRIM-LOK X-2897) |
| 6 | 1 | 205012 | BOLT PACKAGE |
| 8 | 8 | 110049 | WASHER, 5/16 X 1.50 FENDER |
| 12 | 12 | 110258 | NUT, 5/16-18, CAGE TINNERMAN |
| 4 | 4 | 110437 | BOLT, 3/8-16 X 0.75, WIZ FLANGE |
| 14 | 14 | 110444 | BOLT, 5/16-18 X 0.75, WIZ FLANGE |
| 2 | 2 | 110606 | NUT, 5/16-18 WIZ FLANGE |
| 4 | 4 | 110645 | NUT, 3/8-16 WIZ FLANGE |
| 4 | 4 | 110665 | WASHER, 5/16" FLAT STANDARD |
| 4 | 4 | 110676 | WASHER, 3/8" FLAT STANDARD |
| 7 | 1 | 210697 | STEP TOOL BOX |
| | .5 ft | 100449 | Traction Pad |
| 8 | 1 | 211871 | TOOLBOX MAT 12" |
| 9 | 1 | 212003 | GASKET, TOOLBOX MOUNT |
| 10 | 1 | 212017 | Latch, Toolbox w/Studs, Key & Gasket |
| | | 212015 | Gasket, Toolbox Latch |
| 11 | 1 | 215136 | TOOLBOX DOOR & HINGE WELDMNT 12" |
| 12 | 1 | 215151 | WELDMENT, TOOLBOX 12" W/SKIRT, LEFT |

**Flatbed Accessories
770 Toolbox
Fits "770" only**

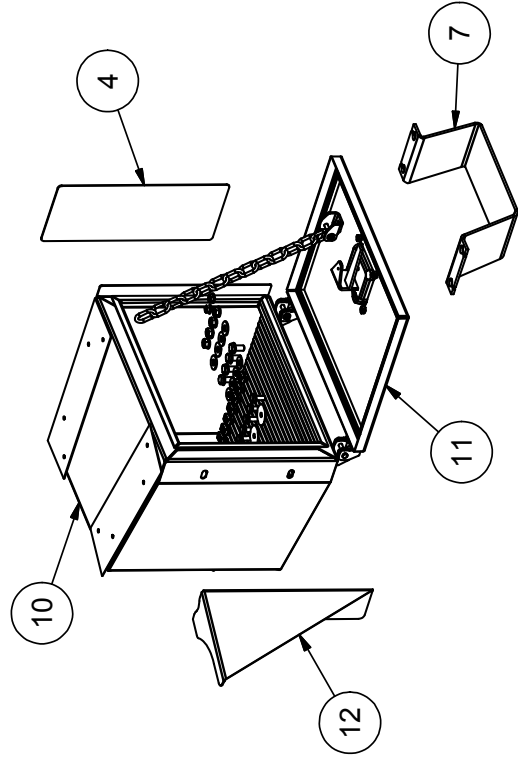


Toolbox Complete W/Step, 770 Right (205044)

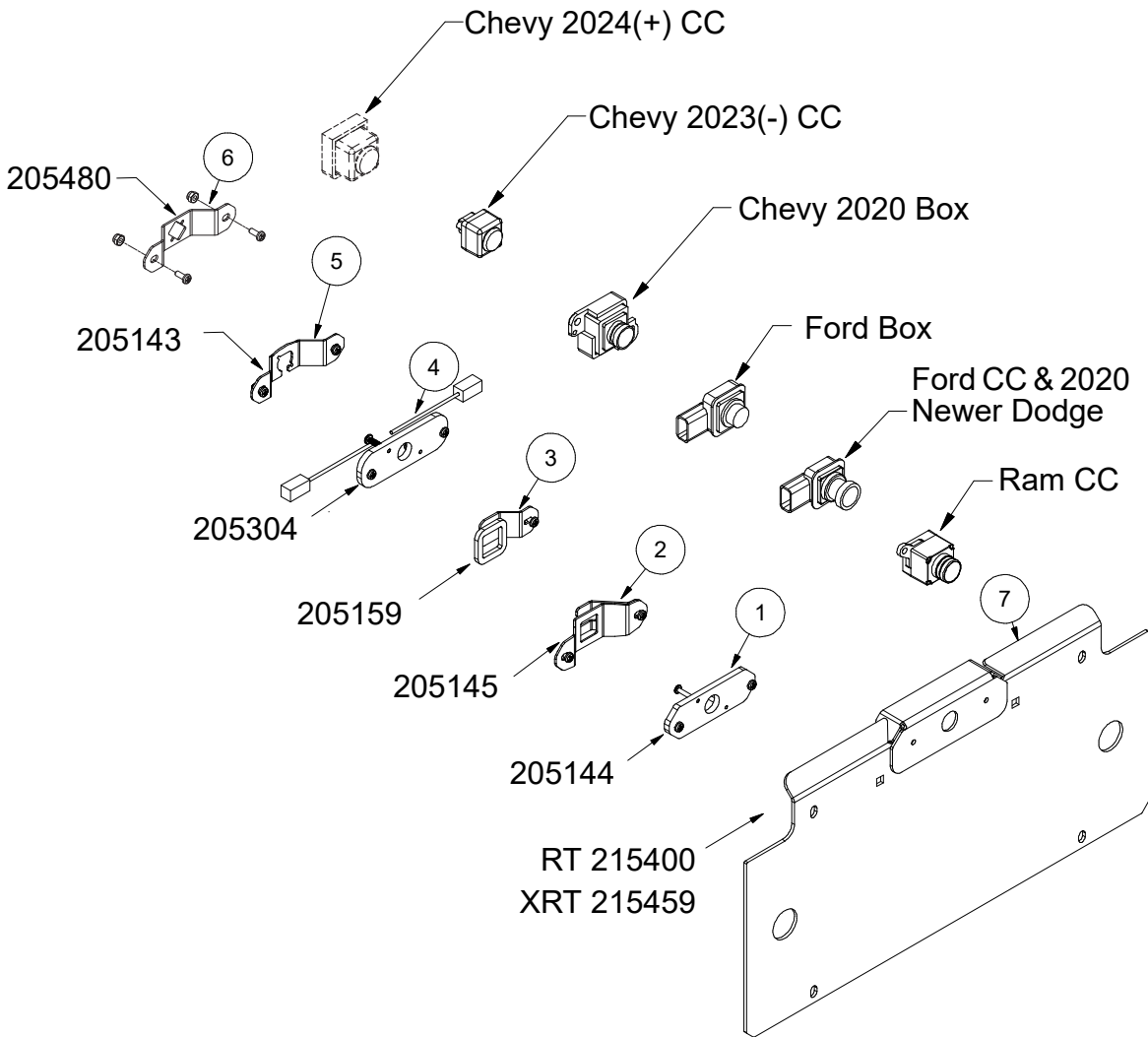
| ITEM | QTY | PART # | DESCRIPTION |
|------|--------|--------|--------------------------------------|
| 1 | 4 | 110174 | NUT, 1/4-20 LOCK 2-WAY |
| 2 | 3 | 112011 | PUSH NUT, WASHER CAP STYLE |
| 3 | 3 | 112095 | CLEVIS PIN, STD ZP 1/4 X 1 5/8 |
| 4 | 1 | 202001 | DECAL, CHIP GUARD |
| 5 | 1 | 202010 | SEAL, TOOLBOX LID (TRIM-LOK X-2897) |
| 6 | 1 | 205012 | BOLT PACKAGE |
| 8 | 110049 | | WASHER, 5/16 X 1.50 FENDER |
| 12 | 110258 | | NUT, 5/16-18, CAGE TINNERMAN |
| 4 | 110437 | | BOLT, 3/8-16 X 0.75, WIZ FLANGE |
| 14 | 110444 | | BOLT, 5/16-18 X 0.75, WIZ FLANGE |
| 2 | 110606 | | NUT, 5/16-18 WIZ FLANGE |
| 4 | 110645 | | NUT, 3/8-16 WIZ FLANGE |
| 4 | 110665 | | WASHER, 5/16" FLAT STANDARD |
| 4 | 110676 | | WASHER, 3/8" FLAT STANDARD |
| 7 | 1 | 211109 | STEP, TOOLBOX |
| | .7 ft | 100449 | Traction Pad |
| 8 | 2 | 212003 | GASKET, TOOLBOX MOUNT |
| 9 | 1 | 212017 | Latch, Toolbox w/Studs, Key & Gasket |
| | 1 | 212015 | Gasket, Toolbox Latch |
| 10 | 1 | 215212 | WELDMENT, TOOLBOX & HINGE, 770 RIGHT |
| 11 | 1 | 215213 | WELDMENT, TOOLBOX DOOR & HINGE, 17" |
| 12 | 1 | 260204 | TOOLBOX SKIRT, 770, RIGHT |
| 13 | 1 | 260206 | TOOLBOX MAT 770, RIGHT |

Toolbox Complete W/Step, 770 Left (205045)

| ITEM | QTY | PART # | DESCRIPTION |
|------|--------|--------|--------------------------------------|
| 1 | 4 | 110174 | NUT, 1/4-20 LOCK 2-WAY |
| 2 | 3 | 112011 | PUSH NUT, WASHER CAP STYLE |
| 3 | 3 | 112095 | CLEVIS PIN, STD ZP 1/4 X 1 5/8 |
| 4 | 1 | 202001 | DECAL, CHIP GUARD |
| 5 | 1 | 202010 | SEAL, TOOLBOX LID (TRIM-LOK X-2897) |
| 6 | 1 | 205012 | BOLT PACKAGE |
| 8 | 110049 | | WASHER, 5/16 X 1.50 FENDER |
| 12 | 110258 | | NUT, 5/16-18, CAGE TINNERMAN |
| 4 | 110437 | | BOLT, 3/8-16 X 0.75, WIZ FLANGE |
| 14 | 110444 | | BOLT, 5/16-18 X 0.75, WIZ FLANGE |
| 2 | 110606 | | NUT, 5/16-18 WIZ FLANGE |
| 4 | 110645 | | NUT, 3/8-16 WIZ FLANGE |
| 4 | 110665 | | WASHER, 5/16" FLAT STANDARD |
| 4 | 110676 | | WASHER, 3/8" FLAT STANDARD |
| 7 | 1 | 211109 | STEP, TOOLBOX |
| | .7 ft | 100449 | Traction Pad |
| 8 | 2 | 212003 | GASKET, TOOLBOX MOUNT |
| 9 | 1 | 212017 | Latch, Toolbox w/Studs, Key & Gasket |
| | 1 | 212015 | Gasket, Toolbox Latch |
| 10 | 1 | 215211 | WELDMENT, TOOLBOX & HINGE, 770 LEFT |
| 11 | 1 | 215213 | WELDMENT, TOOLBOX DOOR & HINGE, 17" |
| 12 | 1 | 260203 | TOOLBOX SKIRT, 770, LEFT |
| 13 | 1 | 260205 | TOOLBOX MAT 770, LEFT |



REAR VIEW CAMERA MOUNTING KITS *



***Mount Disclaimer:** These mounting kits were designed for the most common mounting-to-camera. Manufacturers change camera styles & mountings even within the same year. Use best practices to modify if need be.

***Installer note:** DewEze does not engineer wiring nor harnesses for the camera. It is the installers' responsibility to trace the OEM cable to re-attach.

| Item | Qty | Part # | DESCRIPTION |
|------|-----|--------|--|
| 1 | 1 | 205144 | Dodge/Ram CC Camera Mount Kit |
| 2 | 1 | 205145 | Ford Camera & Dodge 2020+ Mount Kit |
| 3 | 1 | 205159 | Ford Box Take-Off Camera Mount Kit |
| 4 | 1 | 205304 | Chevy/ GM 2020 Box Take-Off Camera Mount Kit |
| 5 | 1 | 205143 | Chevy/GM CC 2023- Camera Mount Kit |
| 6 | 1 | 205480 | Chevy/GM CC 2024+ Camera Mount Kit |
| 7 | RT | 215400 | Camera Mount Weldment |
| 7 | XRT | 215459 | Camera Mount Weldment |

BED MOUNTING KITS *

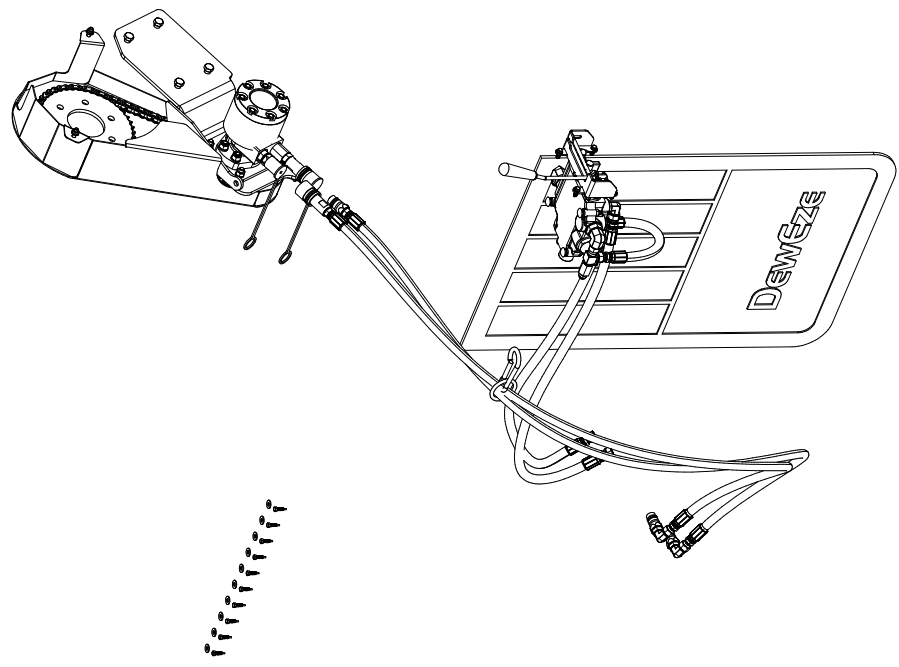
***Installer note:** Kits were designed to match specific bed styles to a model of OEM truck. Use best practices & measurements for fitment, or choose the Yellow Bag generic kit.

| MAKE | PART # | YEAR | DESCRIPTION |
|---------------|--------|---|--|
| FORD | 205112 | 2017+ | Ford Box Delete 671, 676, 776 |
| | 205084 | 1998-2016 | Ford Box Delete 676, 776 |
| | 205064 | 2012-2016 | Ford Box Delete 670, 770 |
| | 205036 | 1998-2011 | Ford Box Delete "Super Duty" 670, 770 |
| | 205041 | Pre-1997 | Ford Box Delete "Non Super Duty" 670 |
| | 205111 | 2017+ | Ford Cab-Chassis 679, 684, 784, XRT 60 |
| | 205078 | 1999-2016 | Ford Cab-Chassis 679, 684, 784, XRT 60 |
| | 205149 | 2017+ | Ford Cab-Chassis 688, 788 |
| | 205080 | 1999-2016 | Ford Cab-Chassis 688, 788 |
| | 205461 | 2017+ | Ford Cab-Chassis XRT 84 |
| | 205462 | 1999-2016 | Ford Cab-Chassis XRT 84 |
| CHEVY/ GM | 205303 | 2020+ | Chevrolet Box Delete, 671, 676, 776 |
| | 205063 | 2011-2019 | Chevrolet Box Delete 670 |
| | 205038 | 2000-2010 | Chevrolet Box Delete 670 |
| | 205085 | 2011-2019 | Chevrolet Box Delete 676, 776 |
| | 205086 | 2000-2010 | Chevrolet Box Delete 676, 776 |
| | 205047 | 2011+ | Chevrolet Cab-Chassis 684, 784, XRT 60 |
| | 205051 | 2000-2010 | Chevrolet Cab-Chassis 684, 784, XRT 60 |
| | 205281 | 2019+ | Chevrolet (4500-6500) Cab-Chassis 684, 784, XRT 60 |
| | 205069 | 2011+ | Chevrolet Cab-Chassis 688, 788 |
| | 205424 | 2019+ | Chevrolet (4500-6500) Cab-Chassis 688, 788 |
| | 205463 | 2011+ | Chevrolet Cab-Chassis XRT 84 |
| DODGE/ RAM | 205185 | 2019+ | Dodge Box Delete 670, 770 |
| | 205093 | 2014-2018 | Dodge Box Delete 670, 770 |
| | 205469 | 2003-2013 | Dodge Box Delete 670, 770 |
| | 205054 | 1994-2002 | Dodge Box Delete 670, 770 |
| | 205173 | 2019+ | Dodge (3500) Box Delete 676, 776 |
| | 205121 | 2014-2018 | Dodge (3500) Box Delete 676, 776 |
| | 205087 | 2014+ | Dodge (2500) Box Delete 676, 776 |
| | 205082 | 2003-2013 | Dodge Box Delete 676, 776 |
| | 205089 | 1994-2002 | Dodge Box Delete 676, 776 |
| | 205039 | 2007+ | Dodge Cab-Chassis 679, 684, 784, XRT 60 |
| | 205065 | 2007+ | Dodge Cab-Chassis 688, 788 |
| 205457 | 2007+ | Dodge Cab-Chassis XRT 84 | |
| MISC. | 205029 | Yellow Bag & Contents (applicable to older truck models not listed above) | |

Parts List

| ITEM | QTY | PART # | DESCRIPTION |
|------|-----|--------|--|
| 1 | 1 | 102128 | Ring, 2"ID X .312, Zinc, Not For Lifting |
| 2 | 2 | 110158 | NUT, 5/16-18 JAM |
| 3 | 1 | 110300 | COTTER PIN, 3/32 X 0.75 |
| 4 | 4 | 110442 | BOLT, 1/2-13 X 1.25 |
| 5 | 3 | 110606 | NUT, 5/16-18 WIZ FLANGE |
| 6 | 4 | 110615 | NUT, 1/2-13, UNITORQUE LOCK |
| 7 | 4 | 111220 | Bolt, 1/4-20 x .75, Thread Cutting, SS |
| 8 | 1 | 112142 | Knob, Long Tapered |
| 9 | 1 | 112146 | Clevis Pin, 3/16" x 1.25", Zinc-Plated |
| 10 | 2 | 120288 | ADAPTER, 8MJ-8MB90 |
| 11 | 1 | 120581 | Coupler, Pioneer Female, ORB |
| 12 | 3 | 120582 | Coupler, Pioneer Male, ORB |
| 17 | 1 | 205043 | INSTALL HARDWARE |
| 18 | 1 | 205283 | RT Chain Shield, Service Part |
| 19 | 1 | 210174 | MUD FLAP, WIDE, PAIR |
| 20 | 1 | 214008 | Drive Sprocket Assembly, RT |
| 21 | 1 | 214011 | Motor Assembly, RT Winder |
| 22 | 1 | 214015 | Valve Assembly, XRT Winder |
| 24 | 2 | 220831 | Hose, .50 x 99.0 8fjx90/8mb |
| 25 | 2 | 220832 | Hose, .50 x 41.0 8fjx/8fjx |
| 26 | 1 | 220833 | Hose Assy, .50 x 15, 8fjx/8fjx |
| 28 | 1 | 240013 | Chain, Drive, RT Winder |
| 29 | 1 | 270039 | Sprocket, 50A45, Reel Winder |
| 30 | 1 | 270159 | Valve Handle |
| 31 | 1 | 275014 | Weldment, RT Drive Mount |
| 32 | 1 | 275062 | Weldment, Valve Eyebrow |
| 33 | 1 | 275063 | Weldment, Valve Handle Clevis |
| 35 | 1 | 902208 | Carabiner, 3/8", Zinc |

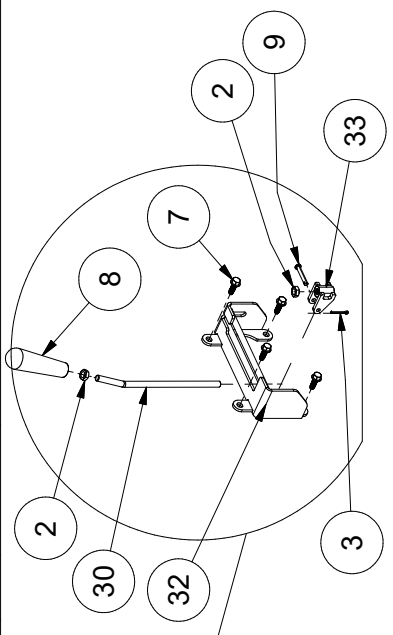
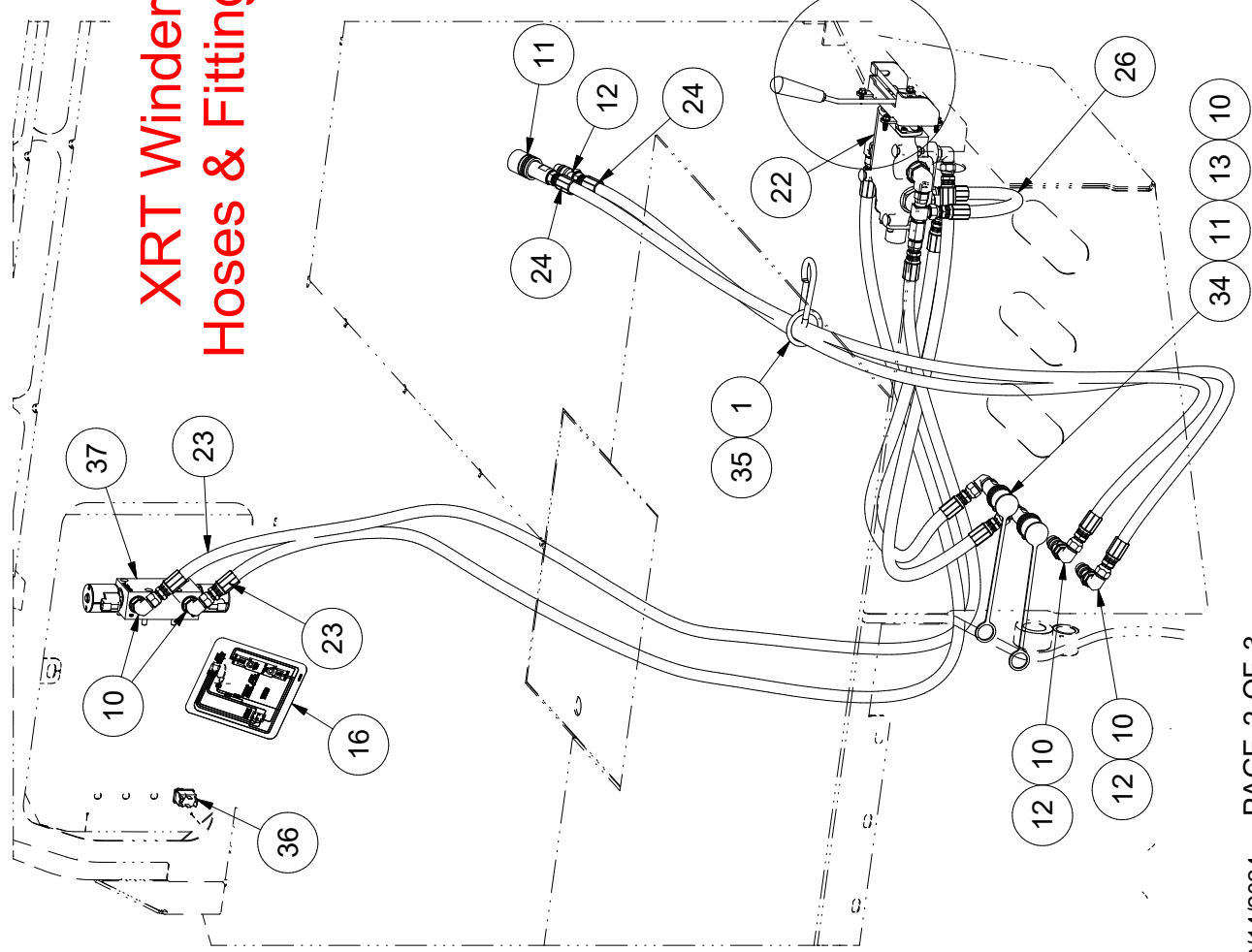
XRT Winder



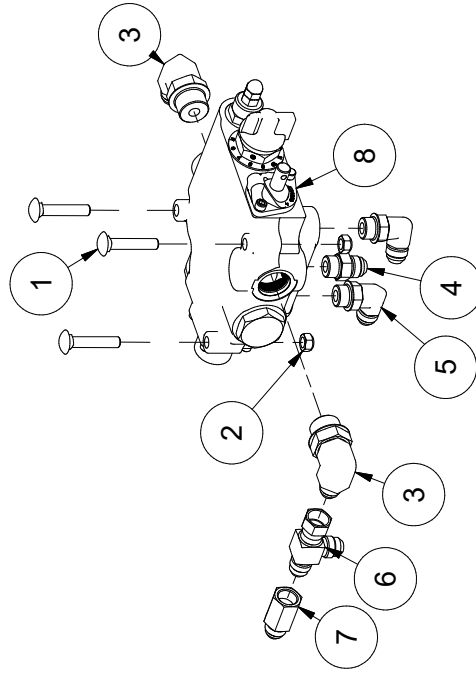
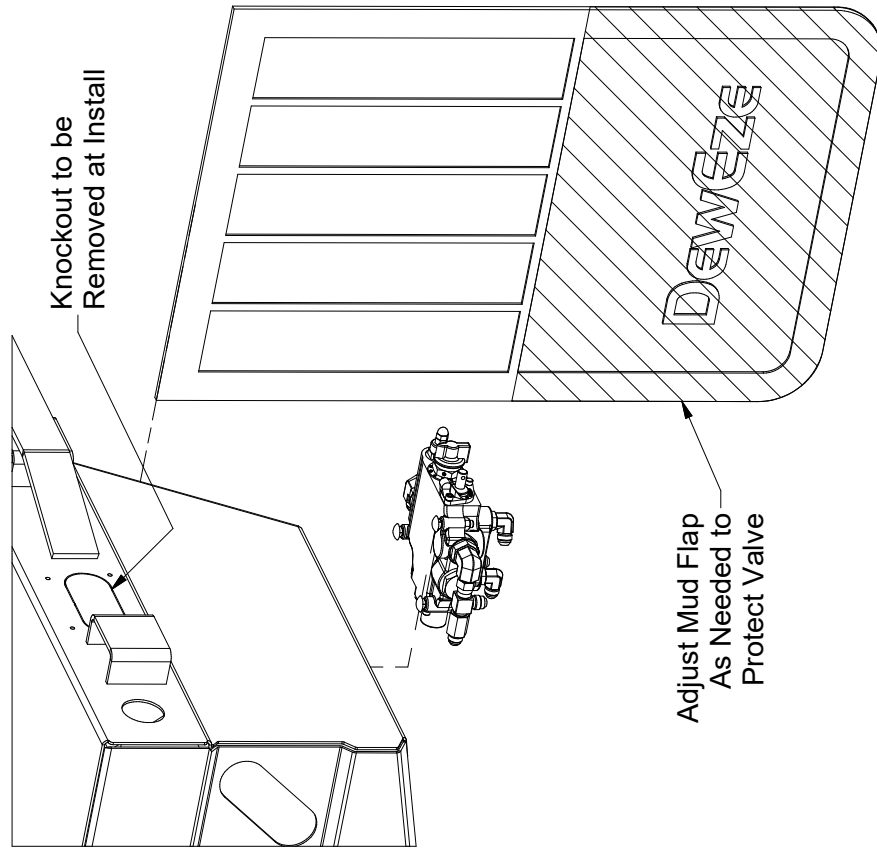
Parts List

| ITEM | QTY | PART # | DESCRIPTION |
|------|-----|--------|--|
| 1 | 1 | 102128 | Ring, 2"ID X .312, Zinc, Not For Lifting |
| 2 | 2 | 110158 | NUT, 5/16-18 JAM |
| 3 | 1 | 110300 | COTTER PIN, 3/32 X 0.75 |
| 7 | 4 | 111220 | Bolt, 1/4-20 x .75, Thread Cutting, SS |
| 8 | 1 | 112142 | Knob, Long Tapered |
| 9 | 1 | 112146 | Clevis Pin, 3/16" x 1.25", Zinc-Plated |
| 10 | 6 | 120288 | ADAPTER, 8MJ-8MB90 |
| 11 | 3 | 120581 | Coupler, Pioneer Female, ORB |
| 12 | 3 | 120582 | Coupler, Pioneer Male, ORB |
| 13 | 4 | 120583 | Snap Ring, ORB Pioneer Coupler |
| 16 | 1 | 202154 | Decal, 3rd Bank, RT Valve |
| 22 | 1 | 214015 | Valve Assembly, XRT Winder |
| 23 | 2 | 220697 | Hose, .50 X 183.00, 8-8fjx |
| 24 | 2 | 220631 | Hose, .50 x 99.0 8fjx90/8mb |
| 26 | 1 | 220633 | Hose Assy, .50 x 15, 8fjx/8fjx |
| 30 | 1 | 270159 | Valve Handle |
| 32 | 1 | 275062 | Weldment, Valve Eyebrow |
| 33 | 1 | 275063 | Weldment, Valve Handle Clevis |
| 34 | 2 | 420051 | DUST PLUG, PIONEER COUPLER |
| 35 | 1 | 902208 | Carabiner, 3/8", Zinc |
| 36 | 1 | 132134 | Switch, Toggle, DPDT, On-Off-On |
| 37 | 1 | 223045 | Valve, 3rd Bank add on (223044) |

XRT Winder Hoses & Fittings

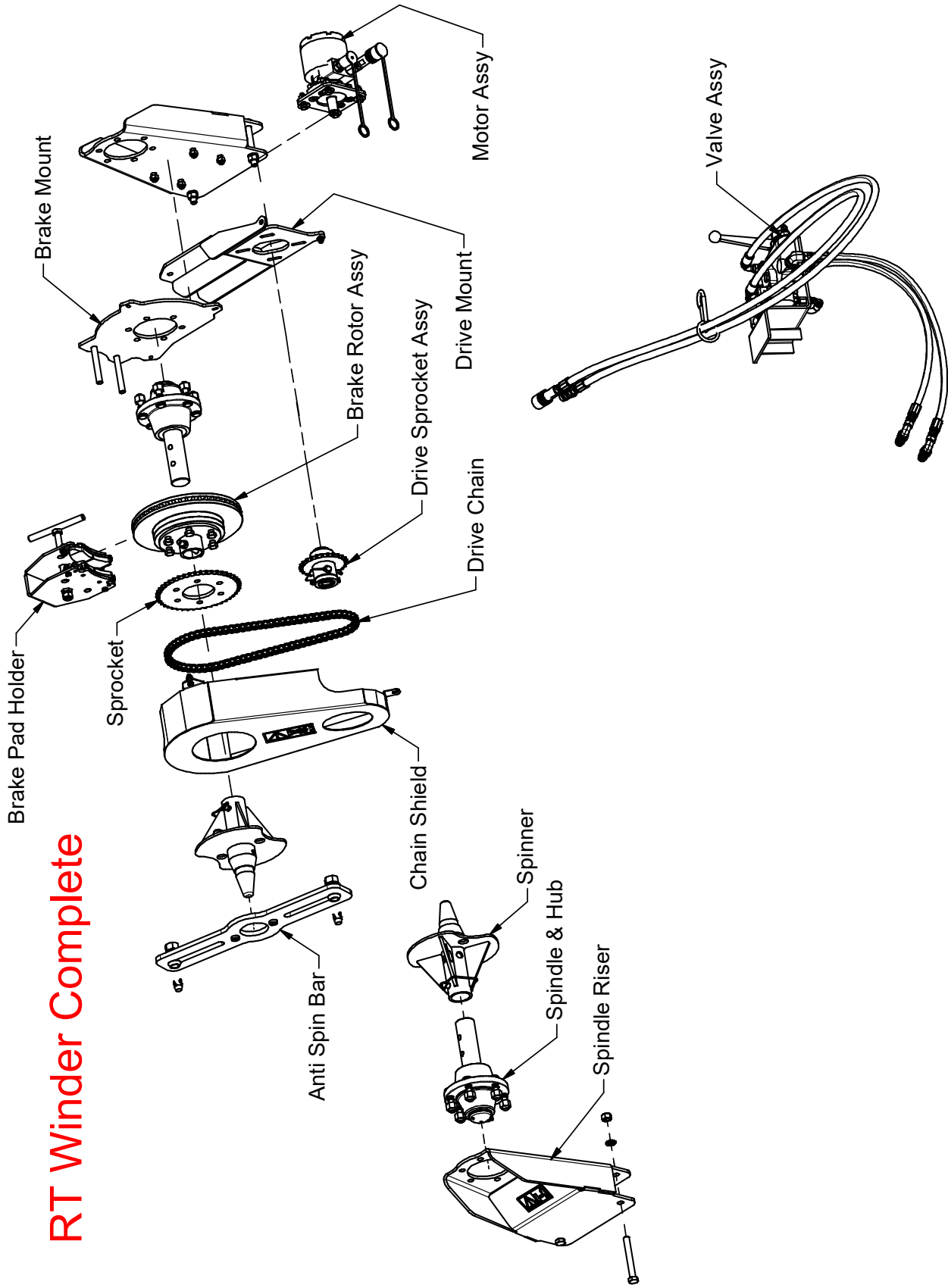


XRT Winder Valve Assembly



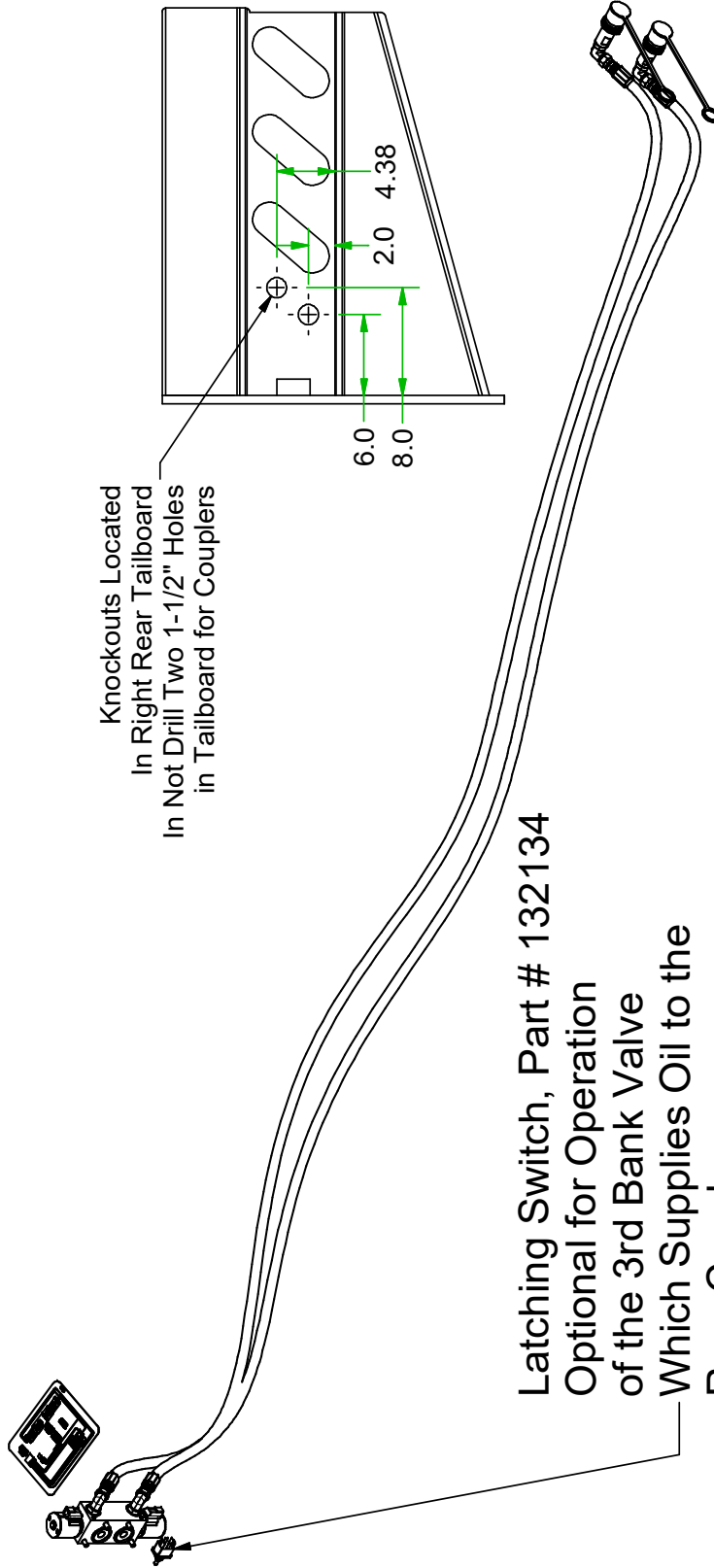
| 205426 | | REV: A | |
|---------------|-----|--------|--|
| Part # 214015 | | | |
| ITEM | QTY | PART # | DESCRIPTION |
| 1 | 3 | 110392 | Bolt, 3/8-16 X 2 in Carriage |
| 2 | 3 | 110621 | NUT, 3/8-16, UNITORQUE LOCK |
| 3 | 2 | 120246 | ADAPTER, 8MJ-12MB90 |
| 4 | 1 | 120277 | ADAPTER, 8MJ-8MB |
| 5 | 2 | 120288 | ADAPTER, 8MJ-8MB90 |
| 6 | 1 | 120427 | ADAPTER, 8MJ-8FJX-8MJ |
| 7 | 1 | 120535 | Valve, Check, 8fj-8mj |
| 8 | 1 | 223107 | Valve, Spool, 1 Bank w/Flow Control, No Handle |

RT Winder Complete



10/28/2019

RT Third Bank Rear Couplers Required for Winder Option



Knockouts Located
In Right Rear Tailboard
In Not Drill Two 1-1/2" Holes
in Tailboard for Couplers

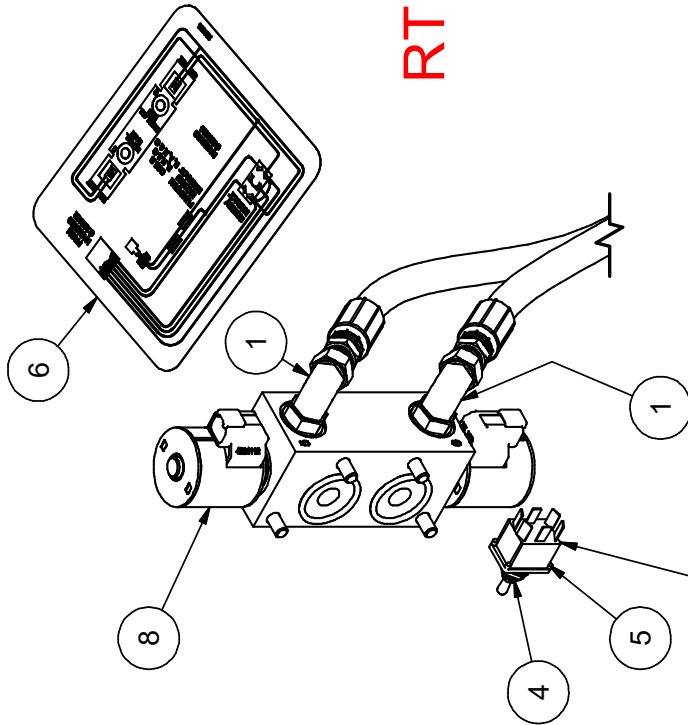
Latching Switch, Part # 132134
Optional for Operation
of the 3rd Bank Valve
Which Supplies Oil to the
Rear Couplers
Where the Reel Winder Valve
is Plugged in.

Part# 235024

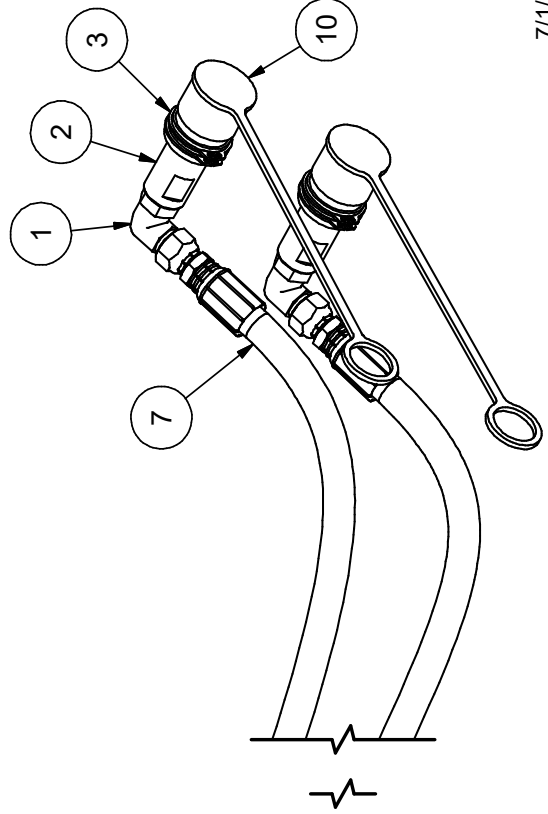
| ITEM | QTY | PART # | DESCRIPTION |
|------|-----|--------|-------------------------------------|
| 1 | 4 | 120288 | ADAPTER, 8MJ-8MB90 |
| 2 | 2 | 120581 | Coupler, Pioneer Female, ORB |
| 3 | 4 | 120583 | Snap Ring, ORB Pioneer Coupler |
| 4 | 1 | 132035 | SWITCH BOOT |
| 5 | 1 | 132127 | Switch, Toggle, DPDT, (On)-OFF-(ON) |
| 6 | 1 | 202154 | Decal, 3rd Bank, RT Valve |
| 7 | 2 | 220697 | Hose, .50 X 183.00, 8-8fx |
| 8 | 1 | 223045 | Valve, 3rd Bank add on (223044) |
| 9 | 1 | 232183 | Harness, Reel Transport, 3rd Bank |
| 10 | 2 | 420051 | DUST PLUG, PIONEER COUPLER |

* Item 9 -- Not Shown

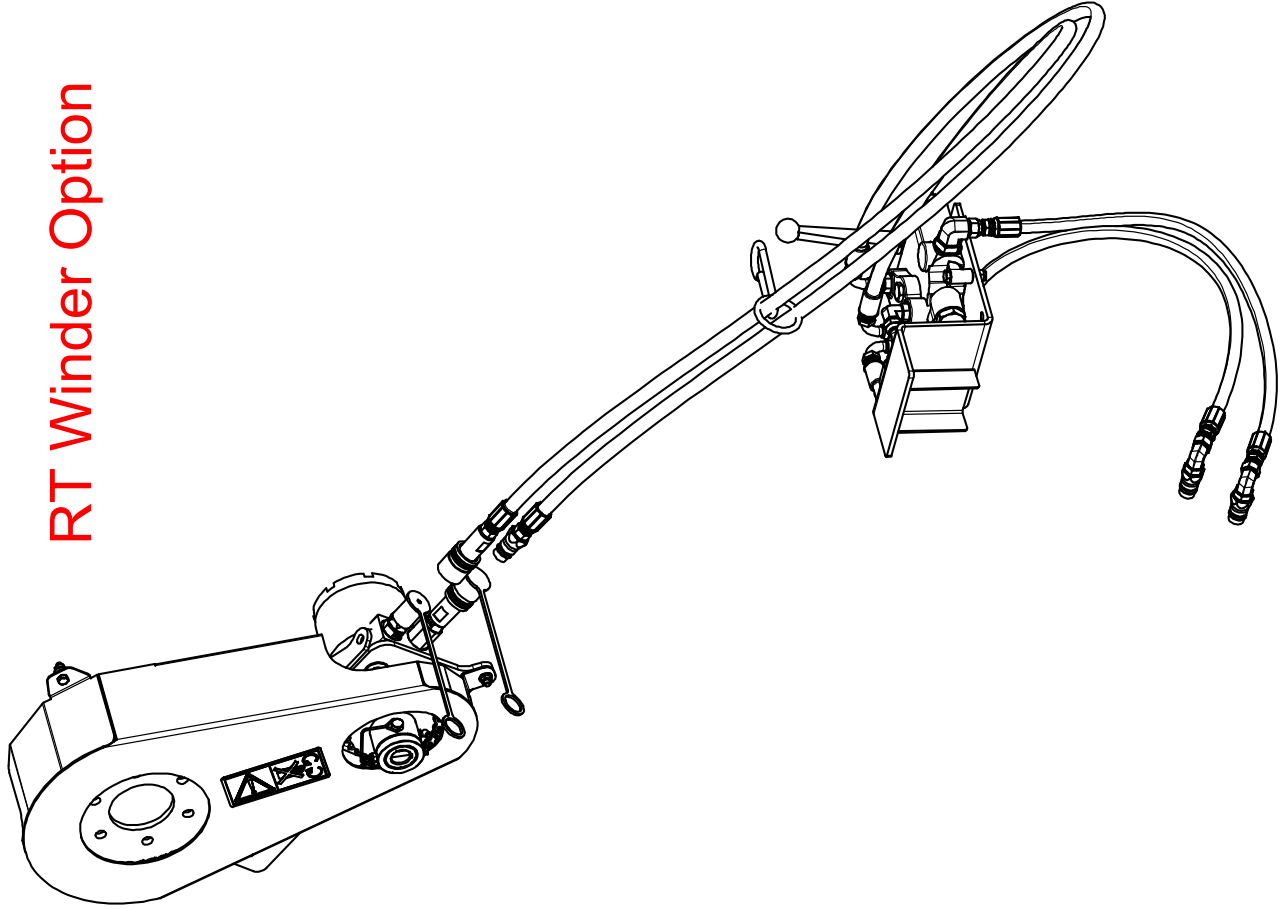
RT Third Bank Rear Couplers Required for Winder Option



Latching Switch, Part # 132134
Optional for Operation
of the 3rd Bank Valve
Which Supplies Oil to the
Rear Couplers
Where the Reel Winder Valve
is Plugged in.



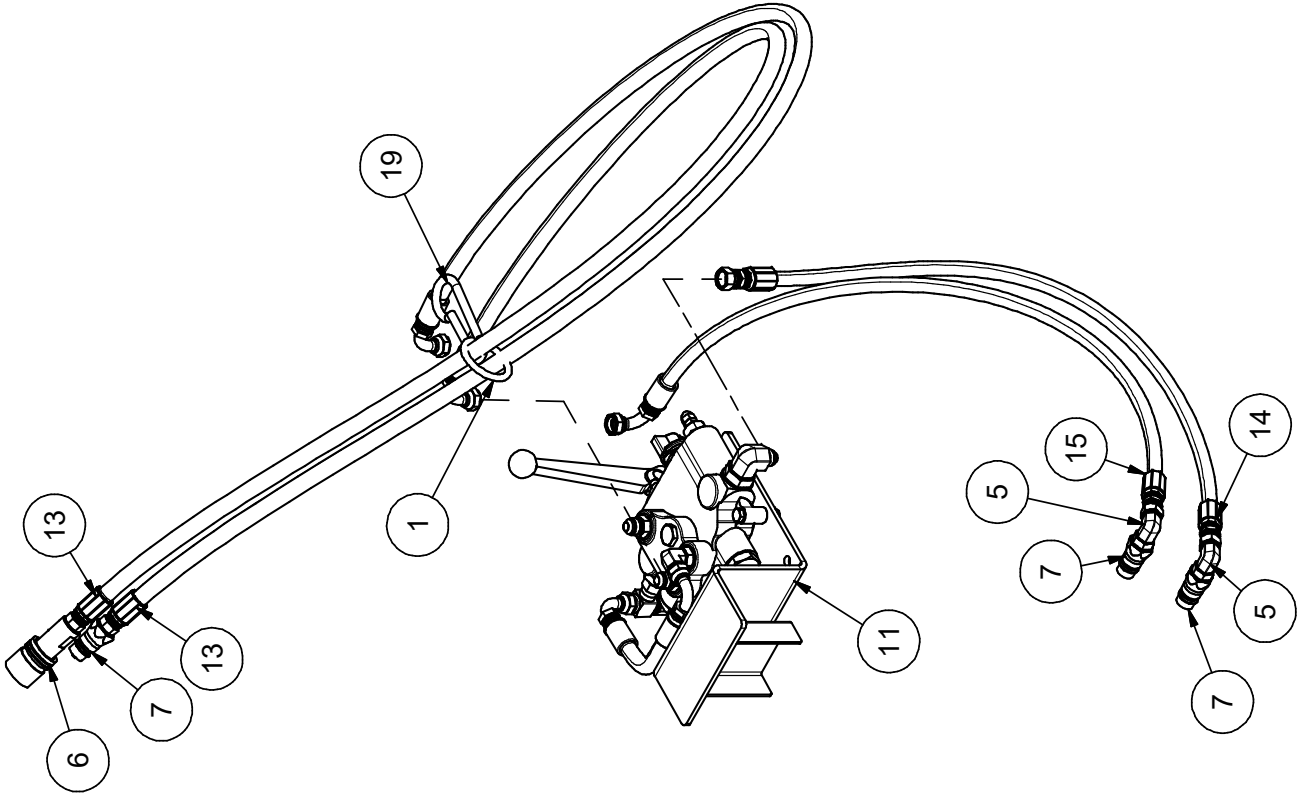
RT Winder Option



| Part # 205157 | | | DESCRIPTION |
|---------------|-----|--------|--|
| ITEM | QTY | PART # | |
| 1 | 1 | 102128 | Ring, 2"ID X .312, Zinc, Not For Lifting |
| 2 | 4 | 110442 | BOLT, 1/2-13 X 1.25 |
| 3 | 3 | 110606 | NUT, 5/16-18 WIZ FLANGE |
| 4 | 4 | 110615 | NUT, 1/2-13, UNITORQUE LOCK |
| 5 | 2 | 120288 | ADAPTER, 8MJ-8MB90 |
| 6 | 1 | 120581 | Coupler, Pioneer Female, ORB |
| 7 | 3 | 120582 | Coupler, Pioneer Male, ORB |
| 8 | 1 | 132134 | Switch, Toggle, DPDT, On-Off-On |
| 9 | 1 | 205283 | RT Chain Shield, Service Part |
| 10 | 1 | 214008 | Drive Sprocket Assembly, RT |
| 11 | 1 | 214009 | Valve Assembly, RT Winder |
| 12 | 1 | 214011 | Motor Assembly, RT Winder |
| 13 | 2 | 220747 | Hose, .50 x 99.0 8fx90/8mb |
| 14 | 1 | 220748 | Hose, .50 x 41.0 8fx/8fx |
| 15 | 1 | 220749 | Hose, .50 x 46.0 8fx/8fx90 |
| 16 | 1 | 240013 | Chain, Drive, RT Winder |
| 17 | 1 | 270039 | Sprocket, 50A45, Reel Winder |
| 18 | 1 | 275014 | Weldment, RT Drive Mount |
| 19 | 1 | 902208 | Carabiner, 3/8", Zinc |
| 20 | 1 | 202146 | Decal, Do Not Remove Shield |

| Parts List | | | |
|------------|-----|--------|--|
| ITEM | QTY | PART # | DESCRIPTION |
| 1 | 1 | 102128 | Ring, 2"ID X .312, Zinc, Not For Lifting |
| 5 | 2 | 120288 | ADAPTER, 8MJ-8MB90 |
| 6 | 1 | 120581 | Coupler, Pioneer Female, ORB |
| 7 | 3 | 120582 | Coupler, Pioneer Male, ORB |
| 11 | 1 | 214009 | Valve Assembly, RT Winder |
| 13 | 2 | 220747 | Hose, .50 x 99.0 8fjx90/8mb |
| 14 | 1 | 220748 | Hose, .50 x 41.0 8fjx/8fjx |
| 15 | 1 | 220749 | Hose, .50 x 46.0 8fjx/8fjx90 |
| 19 | 1 | 902208 | Carabiner, 3/8", Zinc |

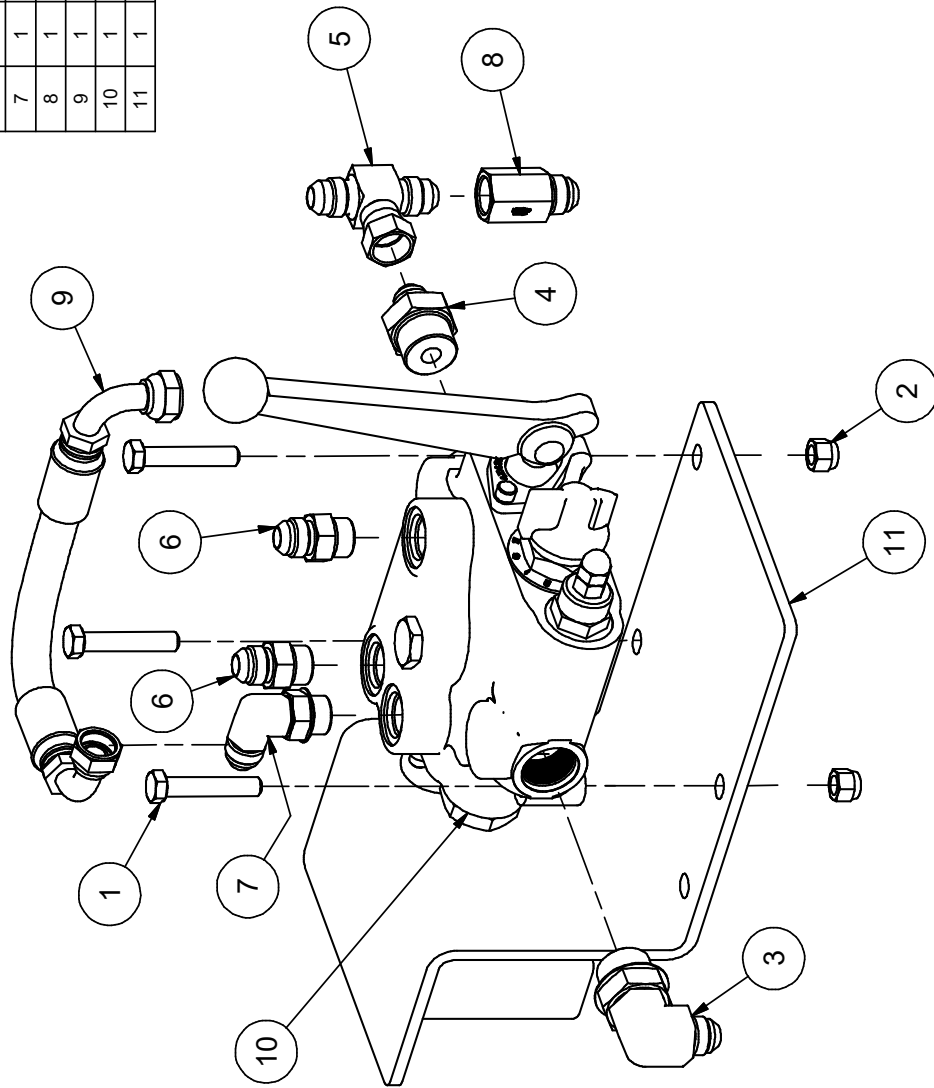
RT Winder Hoses & Fittings



RT Valve Assembly

Part # 214009

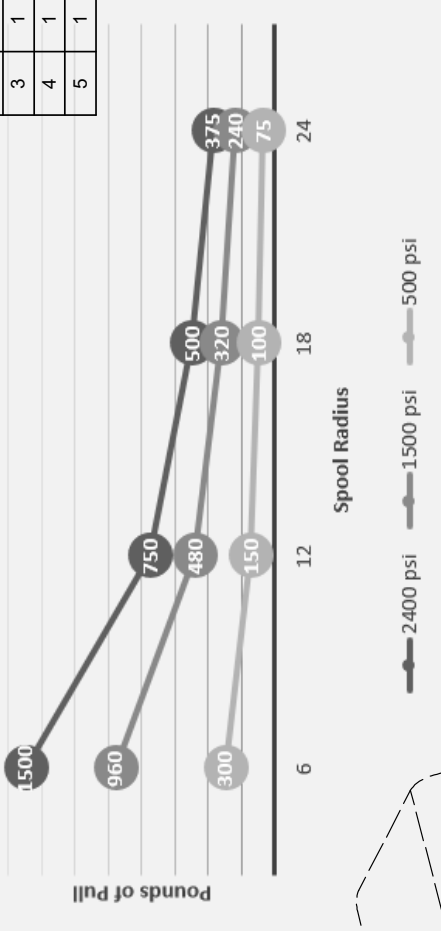
| ITEM | QTY | PART # | DESCRIPTION |
|------|-----|--------|--|
| 1 | 3 | 110400 | BOLT, 3/8-16 X 2.0 |
| 2 | 3 | 110618 | NUT, 3/8-16 LOCK NYLON INSERT |
| 3 | 1 | 120246 | ADAPTER, 8MJ-12MB90 |
| 4 | 1 | 120252 | ADAPTER, 8MJ-12MB |
| 5 | 1 | 120270 | ADAPTER, 8MJ-8MJ-8F-JX |
| 6 | 2 | 120277 | ADAPTER, 8MJ-8MB |
| 7 | 1 | 120288 | ADAPTER, 8MJ-8MB90 |
| 8 | 1 | 120535 | Valve, Check, 8fj-8mj |
| 9 | 1 | 220746 | Hose, .50 x 10.0 8fjx90/8fjx90 |
| 10 | 1 | 223072 | Valve, Spool, 1 Bank w/Flow Control |
| 11 | 1 | 275021 | Weldment, RT Valve Mount, Stake Pocket |



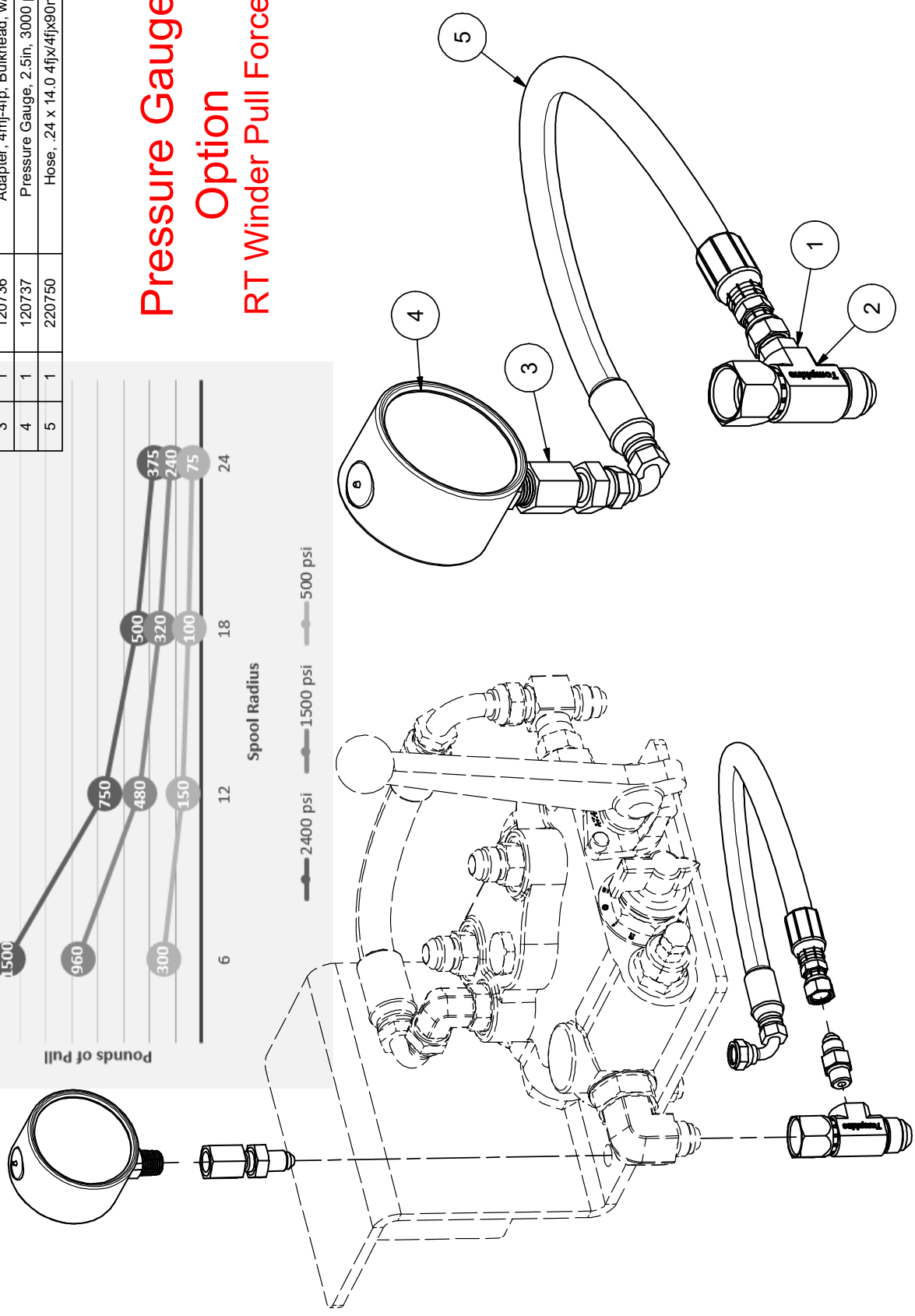
Part # 205285

| ITEM | QTY | PART # | DESCRIPTION |
|------|-----|--------|----------------------------------|
| 1 | 1 | 120233 | ADAPTER, 4MJ-4MB |
| 2 | 1 | 120679 | Adapter, 8FJX-8MJ-4FB |
| 3 | 1 | 120736 | Adapter, 4mj-4fp, Bulkhead, w/LN |
| 4 | 1 | 120737 | Pressure Gauge, 2.5in, 3000 psi |
| 5 | 1 | 220750 | Hose, .24 x 14.0 4fjx/4fjx90m |

Pull Force



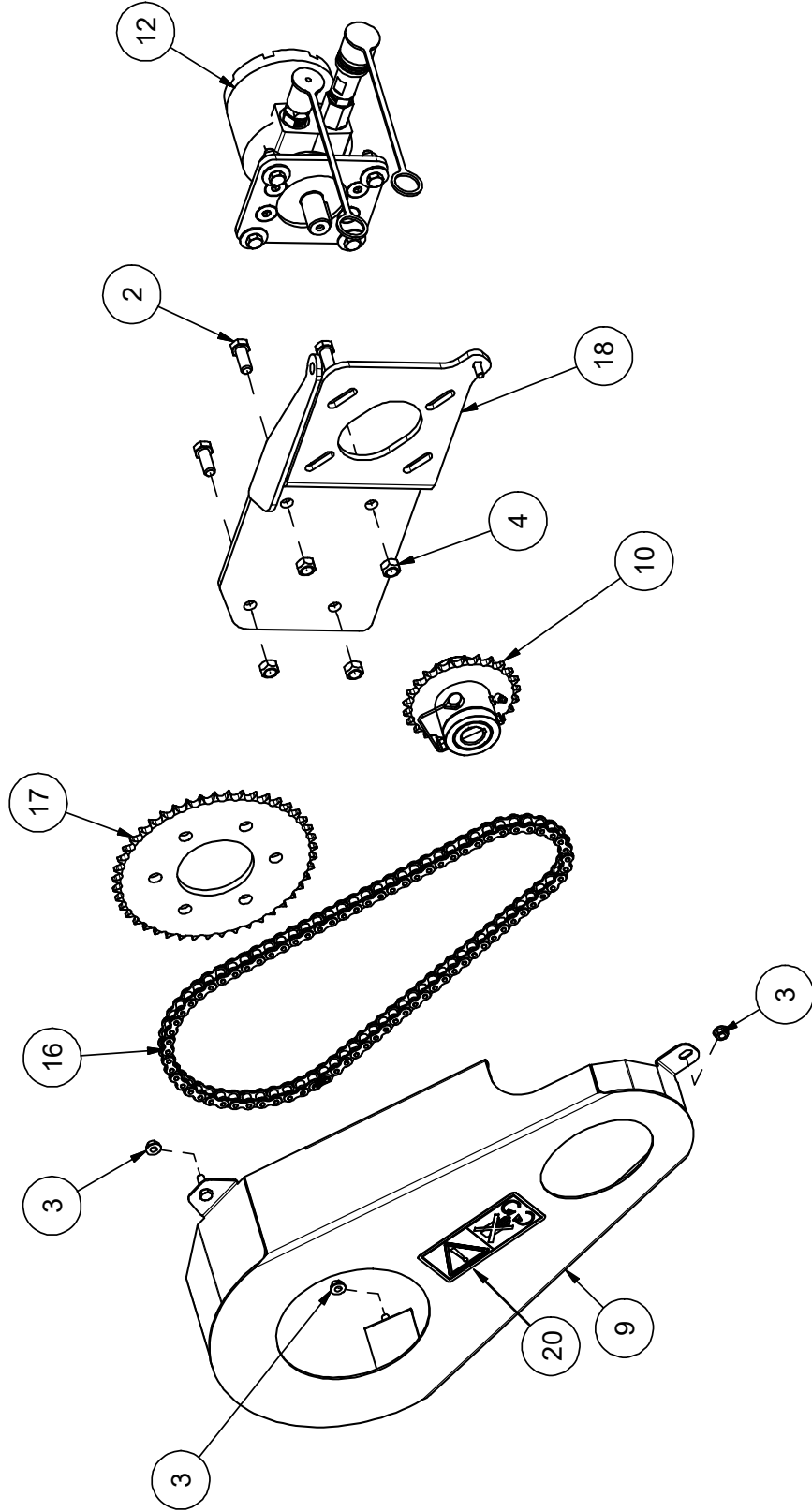
Pressure Gauge Option RT Winder Pull Force



RT & XRT Winder Mounting Bracket & Shield

Parts List

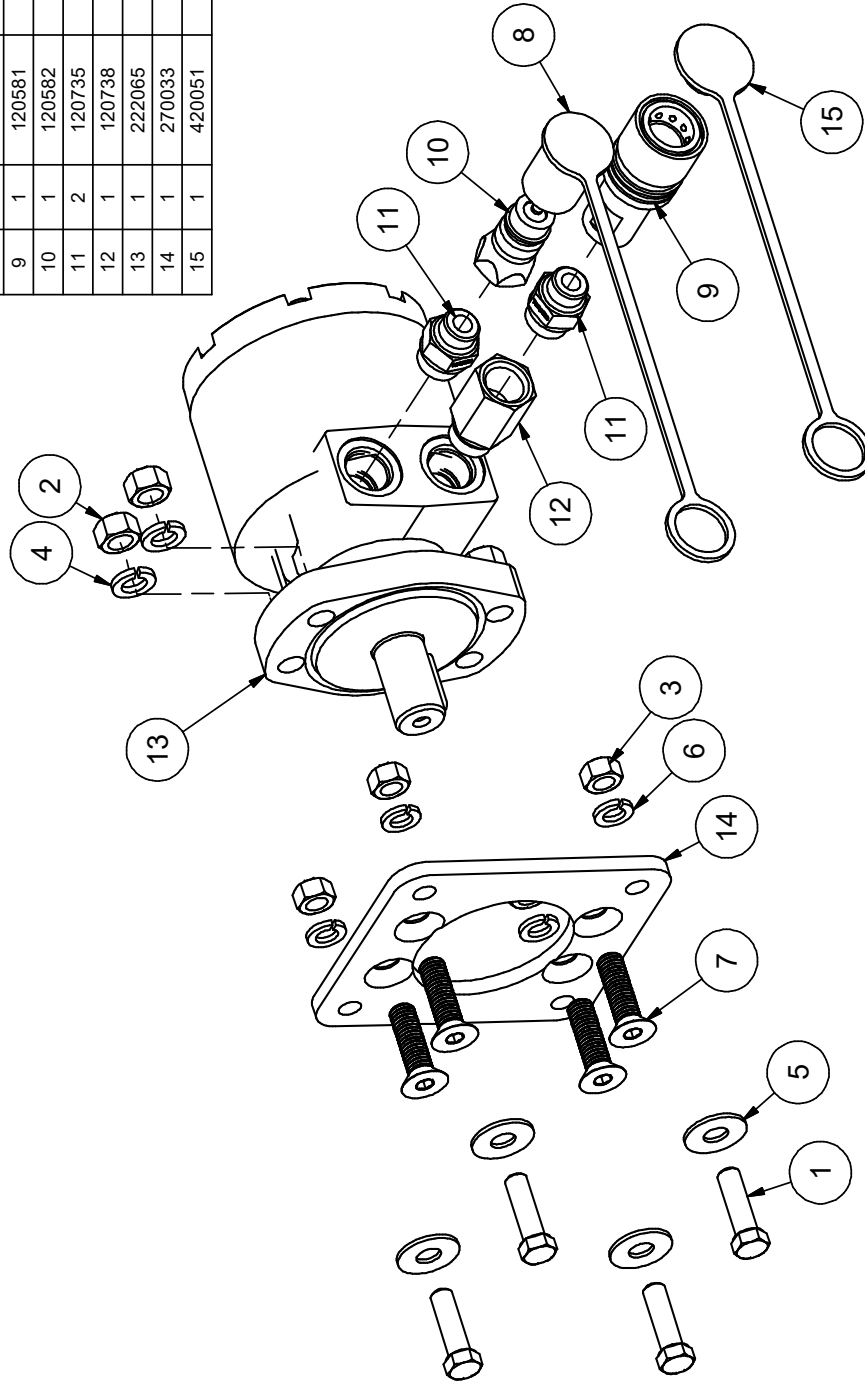
| ITEM | QTY | PART # | DESCRIPTION |
|------|-----|--------|-------------------------------|
| 2 | 4 | 110442 | BOLT, 1/2-13 X 1.25 |
| 3 | 3 | 110606 | NUT, 5/16-18 WIZ FLANGE |
| 4 | 4 | 110615 | NUT, 1/2-13, UNITORQUE LOCK |
| 9 | 1 | 205283 | RT Chain Shield, Service Part |
| 10 | 1 | 214008 | Drive Sprocket Assembly, RT |
| 12 | 1 | 214011 | Motor Assembly, RT Winder |
| 16 | 1 | 240013 | Chain, Drive, RT Winder |
| 17 | 1 | 270039 | Sprocket, 50A45, Reel Winder |
| 18 | 1 | 275014 | Weldment, RT Drive Mount |
| 20 | 1 | 202146 | Decal, Do Not Remove Shield |



RT & XRT Motor Assembly

Part # 214011

| ITEM | QTY | PART # | DESCRIPTION |
|------|-----|--------|------------------------------|
| 1 | 4 | 110535 | BOLT, 7/16-14 X 1.5 |
| 2 | 4 | 110610 | NUT, 1/2-13 |
| 3 | 4 | 110641 | NUT, 7/16-14 |
| 4 | 4 | 110666 | WASHER, 1/2" LOCK |
| 5 | 4 | 110670 | WASHER, 7/16" FLAT STANDARD |
| 6 | 4 | 110671 | WASHER, 7/16" LOCK |
| 7 | 4 | 111045 | Bolt, 1/2-13 x 1.75 FHCS |
| 8 | 1 | 112127 | Dust Cap, Male Pioneer |
| 9 | 1 | 120581 | Coupler, Pioneer Female, ORB |
| 10 | 1 | 120582 | Coupler, Pioneer Male, ORB |
| 11 | 2 | 120735 | Adapter, 10mb-8mb |
| 12 | 1 | 120738 | Adapter, 10mb-10fb, Extender |
| 13 | 1 | 222065 | Motor, Hydraulic, 15.68ci |
| 14 | 1 | 270033 | Mounting Plate, RT Motor |
| 15 | 1 | 420051 | DUST PLUG, PIONEER COUPLER |

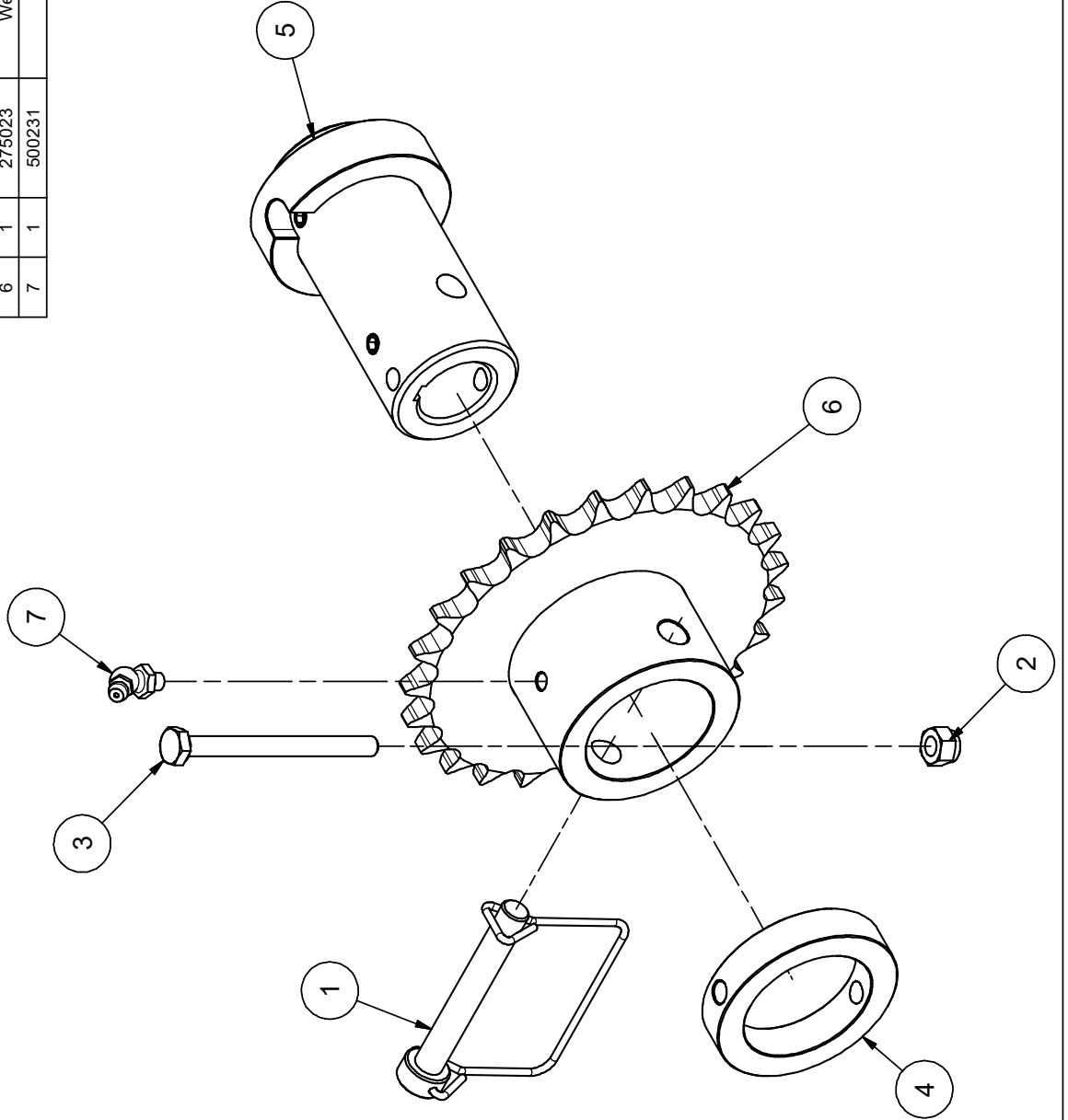


11/12/2020

RT & XRT Drive Sprocket Assembly

Part # 214008

| ITEM | QTY | PART # | DESCRIPTION |
|------|-----|--------|---|
| 1 | 1 | 102125 | Pin, Lock, .375 x 2.5, Grade 8, Single Wire |
| 2 | 1 | 110630 | NUT, 1/4-20 LOCK (NYLON INSERT) |
| 3 | 1 | 110844 | BOLT, 1/4-20 X 3 |
| 4 | 1 | 270036 | Stop Collar Outer, Drive Bushing, RT |
| 5 | 1 | 275022 | Weldment, RT Drive Bushing |
| 6 | 1 | 275023 | Weldment, RT Drive Sprocket, 5025 |
| 7 | 1 | 500231 | GREASE ZERK, 1/4-28 45deg |

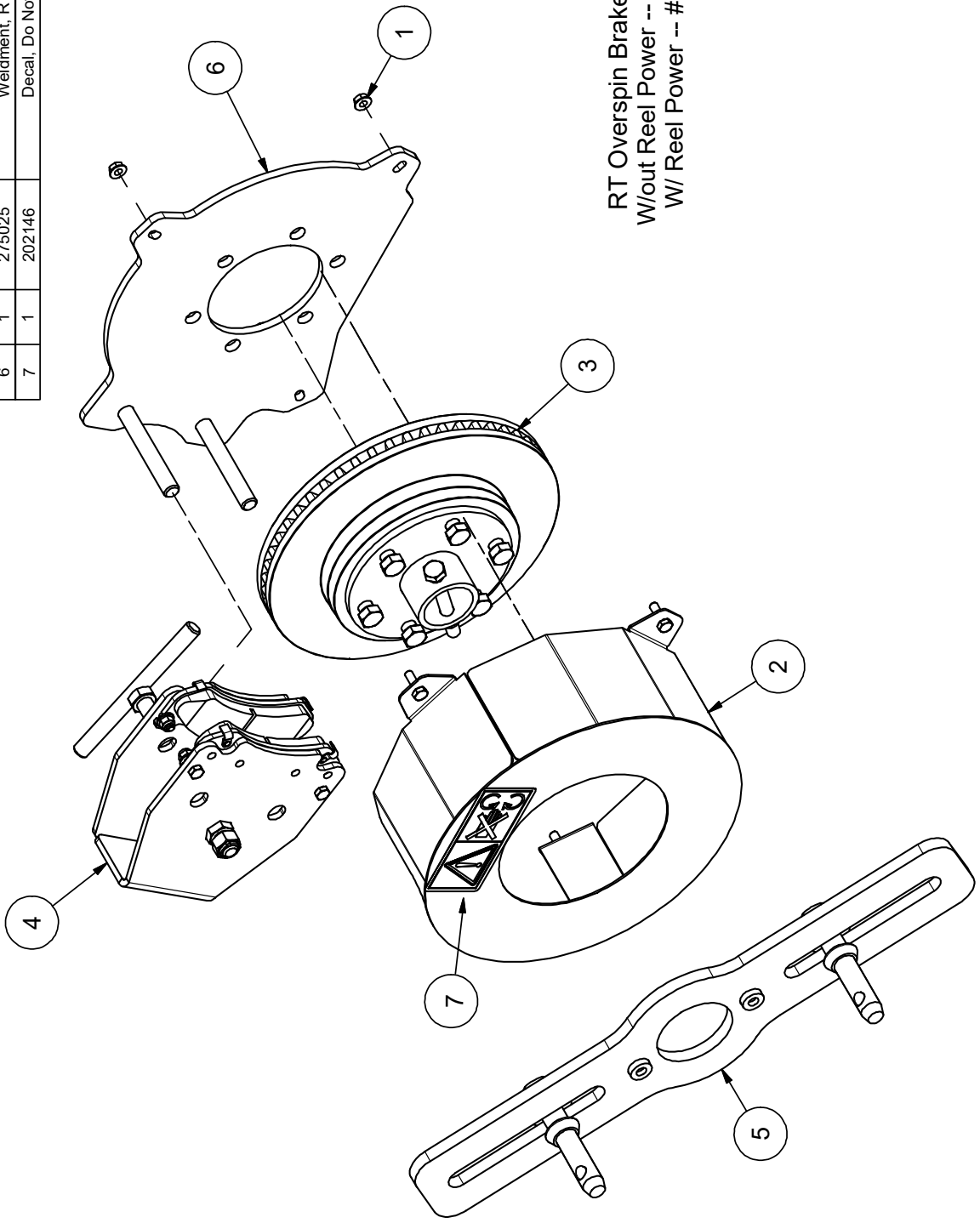


11/12/2020

RT Overspin Brake Option Assembly

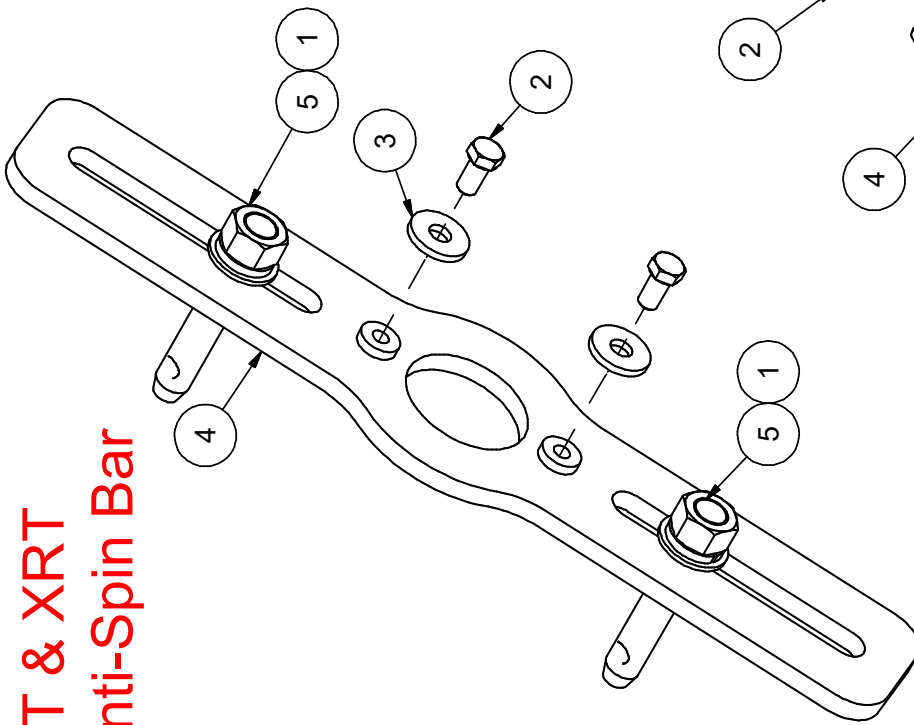
Parts List

| ITEM | QTY | PART # | DESCRIPTION |
|------|-----|--------|-------------------------------|
| 1 | 3 | 110606 | NUT, 5/16-18 WIZ FLANGE |
| 2 | 1 | 205284 | RT Brake Shield, Service Part |
| 3 | 1 | 214005 | Brake Rotor Assembly, RT |
| 4 | 1 | 214006 | Brake Pad Holder Assembly, RT |
| 5 | 1 | 214007 | Anti Spin Bar Assembly, RT |
| 6 | 1 | 275025 | Weldment, RT Brake Mount |
| 7 | 1 | 202146 | Decal, Do Not Remove Shield |



RT Overspin Brake Option
W/out Reel Power -- # 205156
W/ Reel Power -- # 205298

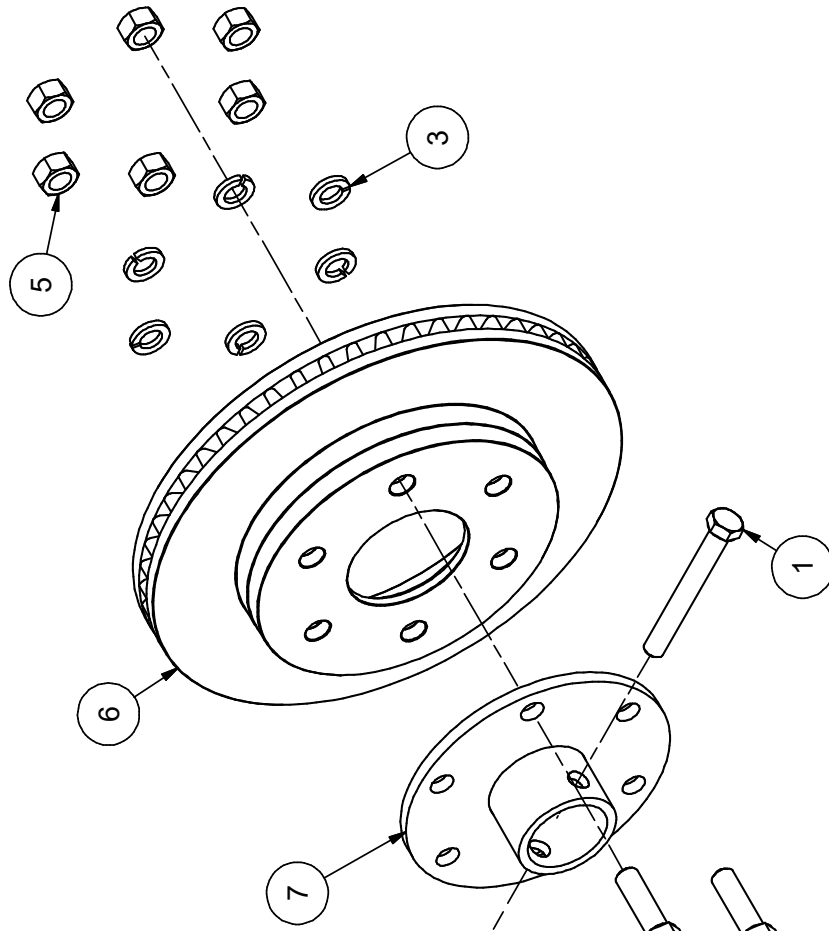
**RT & XRT
Anti-Spin Bar**



| ITEM | | QTY | PART # | DESCRIPTION |
|------|---|--------|----------------------------------|-------------|
| 1 | 1 | 110564 | BOLT, 1/2-13 X 4, GR 8 | |
| 2 | 1 | 110615 | NUT, 1/2-13, UNITORQUE LOCK | |
| 3 | 6 | 110937 | WASHER, M14 LOCK | |
| 4 | 6 | 111177 | Hex Cap 9-16x2 UNC | |
| 5 | 6 | 111178 | NUT, 9/16-12, GR 5, Zinc | |
| 6 | 1 | 242011 | Brake Rotor, RT | |
| 7 | 1 | 275018 | Weldment, Disc Brake Rotor Mount | |

Part # 214007

| ITEM | QTY | PART # | DESCRIPTION |
|------|-----|--------|-----------------------------------|
| 1 | 2 | 110046 | WASHER, 7/8" FLAT SAE |
| 2 | 2 | 110086 | BOLT, 1/2-13 X 1.0 |
| 3 | 2 | 110660 | WASHER, 1/2" FLAT SPECIAL 1 1.5od |
| 4 | 1 | 275020 | Weldment, RT Anti Spin Bar |
| 5 | 2 | 910002 | 3-Point Pin W/ Hardware |



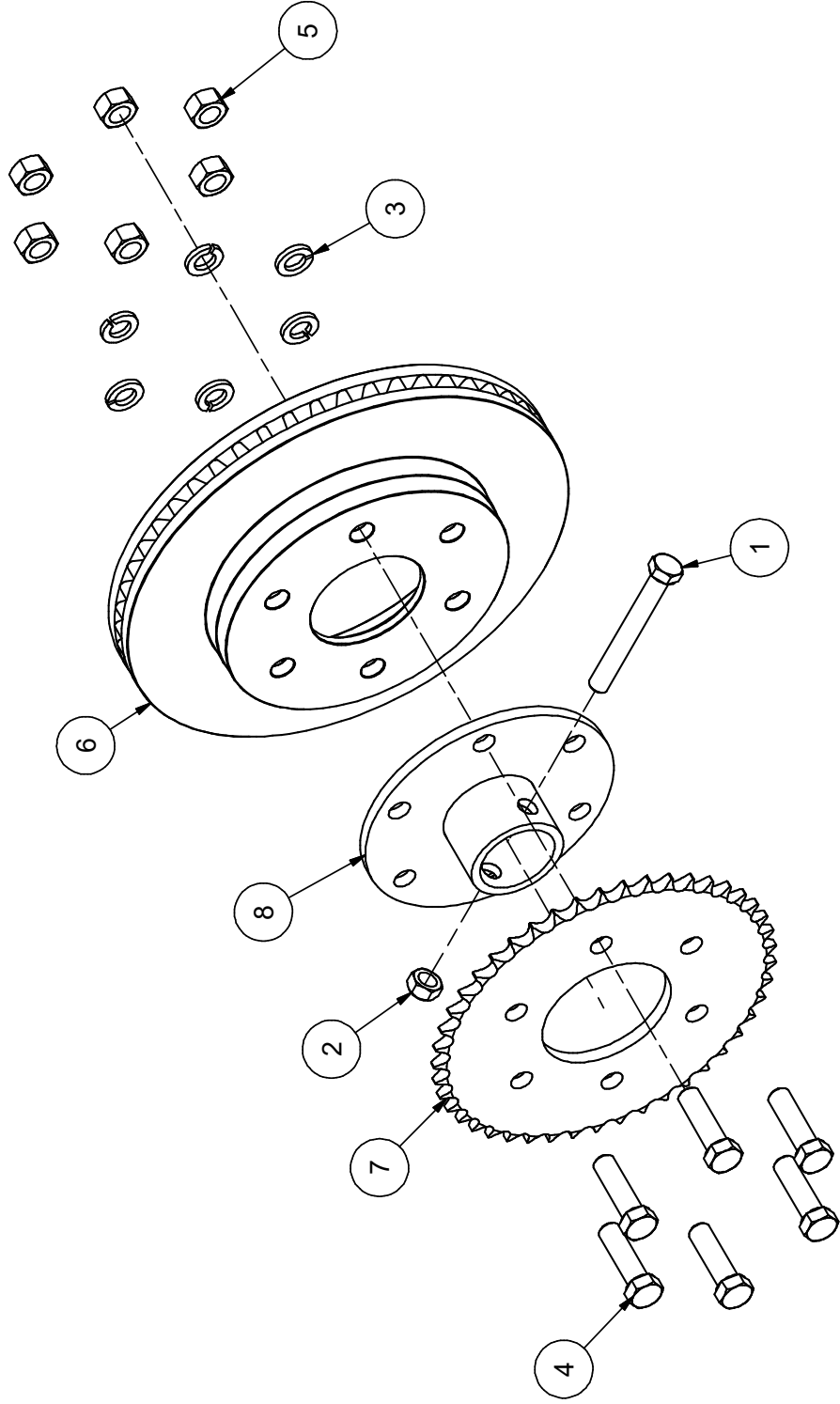
**RT & XRT Brake Rotor
Assembly**

11/12/2020

RT & XRT Brake Rotor Assembly W/ Drive Sprocket

Parts List

| ITEM | QTY | PART # | DESCRIPTION |
|------|-----|--------|----------------------------------|
| 1 | 1 | 110564 | BOLT, 1/2-13 X 4, GR8 |
| 2 | 1 | 110615 | NUT, 1/2-13, UNITORQUE LOCK |
| 3 | 6 | 110937 | WASHER, M14 LOCK |
| 4 | 6 | 111177 | Hex Cap 9-16x2 UNC |
| 5 | 6 | 111178 | NUT, 9/16-12, GR 5, Zinc |
| 6 | 1 | 242011 | Brake Rotor, RT |
| 7 | 1 | 270039 | Sprocket, 50A45, Reel Winder |
| 8 | 1 | 275018 | Weldment, Disc Brake Rotor Mount |



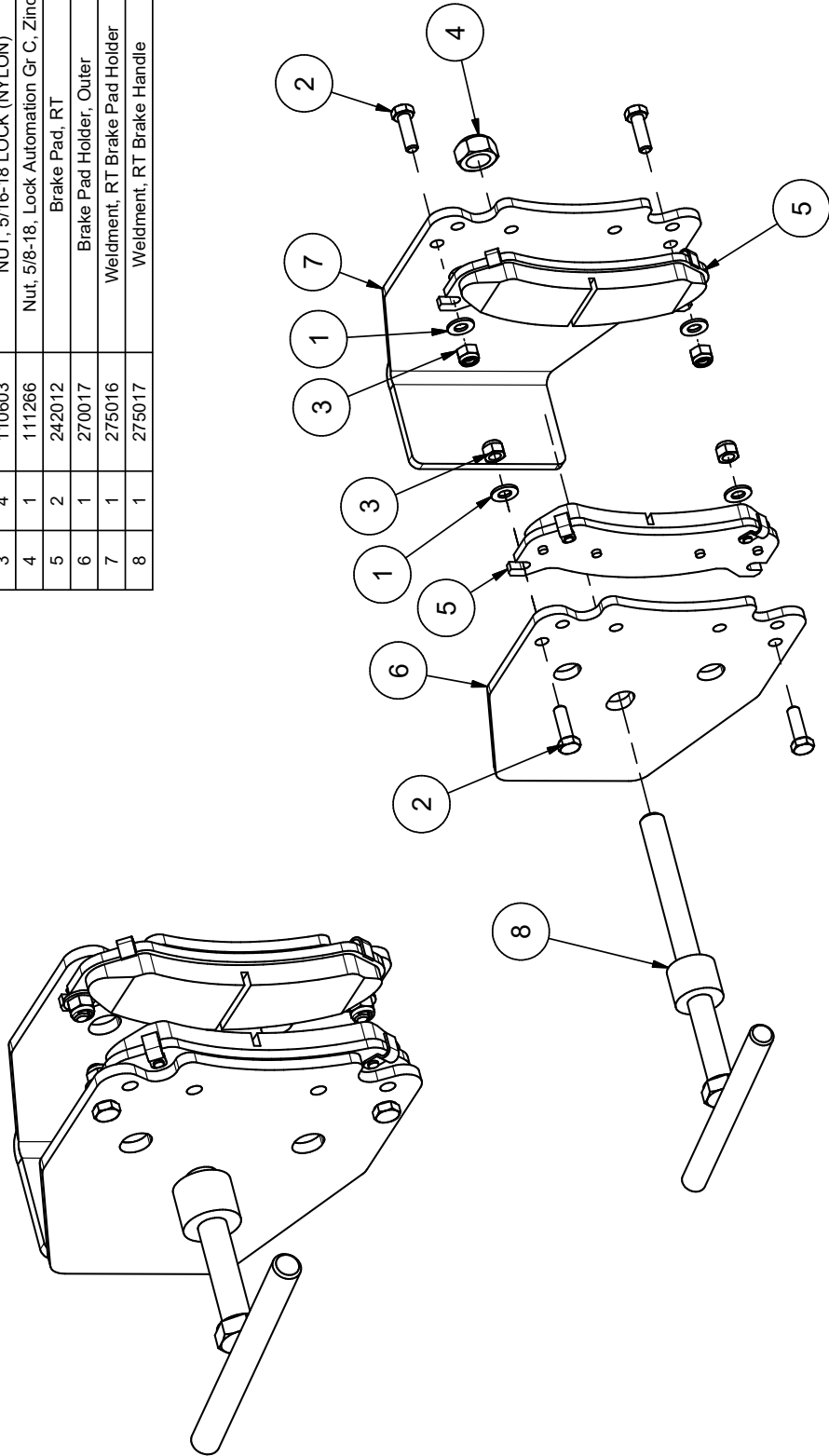
11/12/2020

214006 REV: A

RT & XRT BRAKE PAD HOLDER ASSEMBLY

Parts List

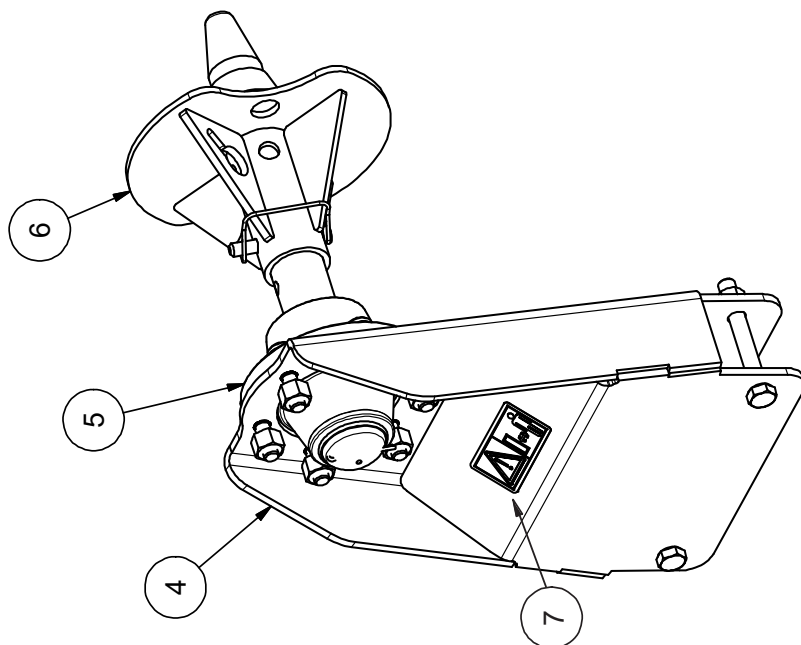
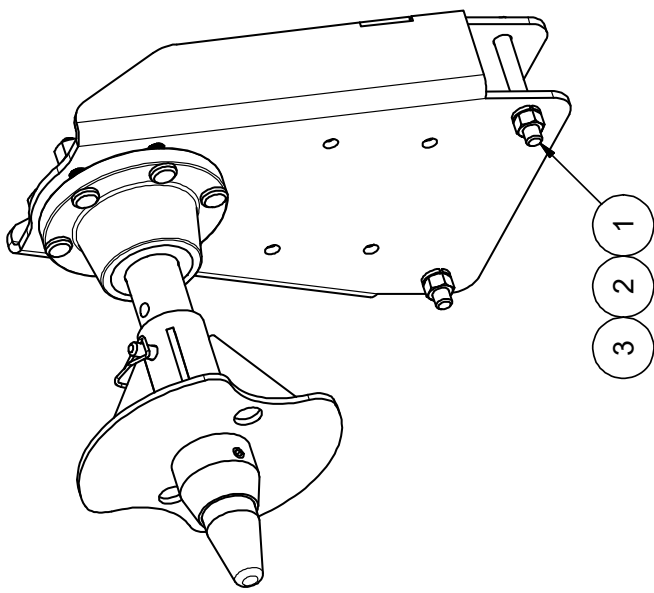
| ITEM | QTY | PART # | DESCRIPTION |
|------|-----|--------|---|
| 1 | 4 | 110069 | WASHER, 5/16" FLAT SAE |
| 2 | 4 | 110423 | BOLT, 5/16-18 X 1.0 |
| 3 | 4 | 110603 | NUT, 5/16-18 LOCK (NYLON) |
| 4 | 1 | 111266 | Nut, 5/8-18, Lock Automation Gr C, Zinc |
| 5 | 2 | 242012 | Brake Pad, RT |
| 6 | 1 | 270017 | Brake Pad Holder, Outer |
| 7 | 1 | 275016 | Weldment, RT Brake Pad Holder |
| 8 | 1 | 275017 | Weldment, RT Brake Handle |



RT SPINNER & RISER, PAIR

Parts List

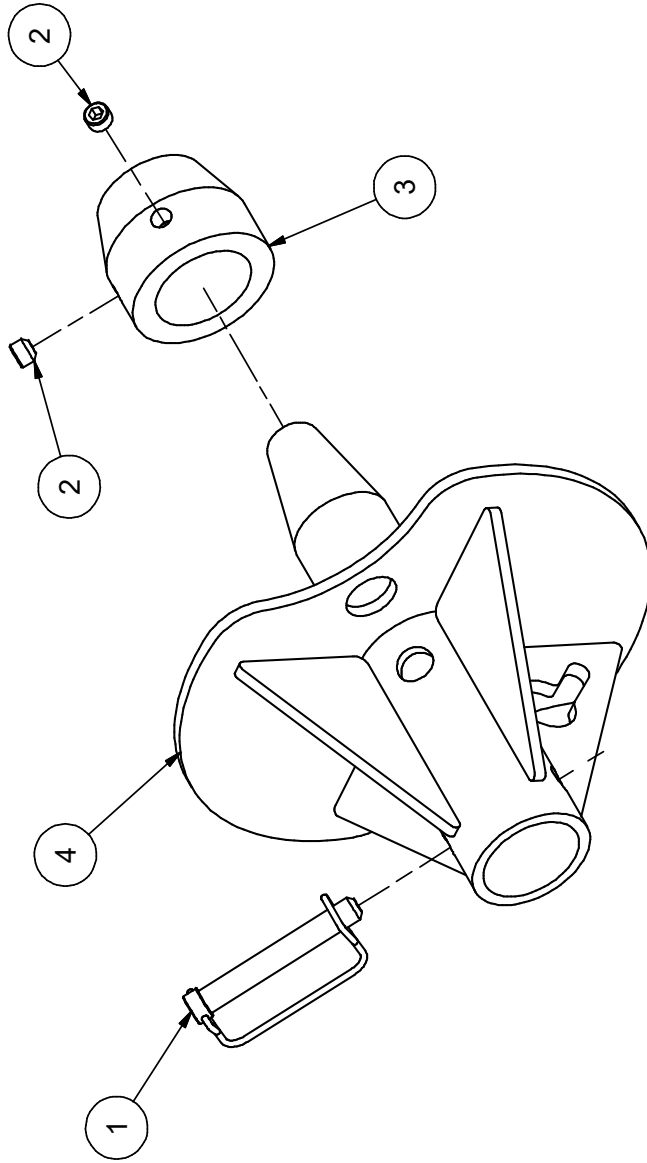
| ITEM | QTY | PART # | DESCRIPTION |
|------|-----|--------|---|
| 1 | 4 | 110407 | BOLT, 5/8-11 X 5.0 |
| 2 | 4 | 110597 | NUT, 5/8-11 HEX |
| 3 | 4 | 110655 | WASHER, 5/8" LOCK |
| 4 | 2 | 205158 | RT Spindle Riser, 3x4 Arm, Service Part |
| 5 | 2 | 214004 | Spindle & Hub Assembly, RT |
| 6 | 2 | 214010 | Spinner Assembly, RT |
| 7 | 2 | 202114 | Decal, Safe Distance, Horizontal |



Part # 214010

| ITEM | QTY | PART # | DESCRIPTION |
|------|-----|--------|--|
| 1 | 1 | 102124 | Pin, Lock, .50 x 3, Grade 8, Single Wire |
| 2 | 2 | 111174 | SetScrew, 1/2-13 X 0.375 |
| 3 | 1 | 270032 | Centering Cone |
| 4 | 1 | 275019 | Weldment, RT Reel Spinner |

RT Reel Spinner



Part # 214004

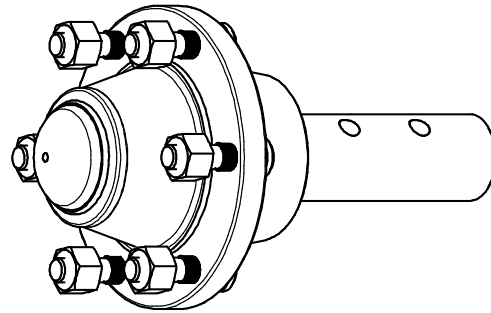
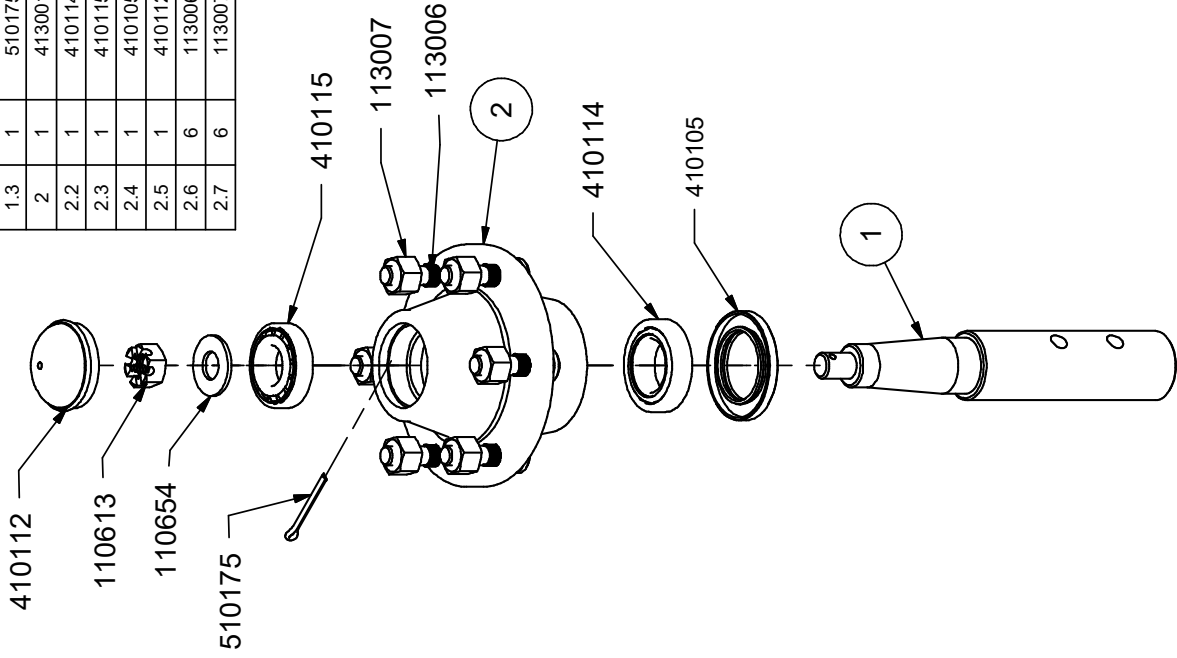
| ITEM | QTY | PART # | DESCRIPTION |
|------|-----|--------|-----------------------------|
| 1 | 1 | 270040 | Spindle, RT Reel Spinner |
| 1.1 | 1 | 110654 | Washer, 1.75 X .815 Spindle |
| 1.2 | 1 | 110613 | NUT, CASTLE 3/4-16 |
| 1.3 | 1 | 510175 | COTTER PIN, 3/16 X 2 |
| 2 | 1 | 413001 | HUB COMPLETE, 35-6LM |
| 2.2 | 1 | 410114 | INNER RACE AND BEARING |
| 2.3 | 1 | 410115 | OUTER RACE AND BEARING |
| 2.4 | 1 | 410105 | SEAL |
| 2.5 | 1 | 410112 | DUST CAP |
| 2.6 | 6 | 113006 | Stud 9/16-18 |
| 2.7 | 6 | 113007 | Nut 9/16-18 |

NOTE:

Pack bearing cones and lubricate seal lip with grease before assembly.

NOTE:

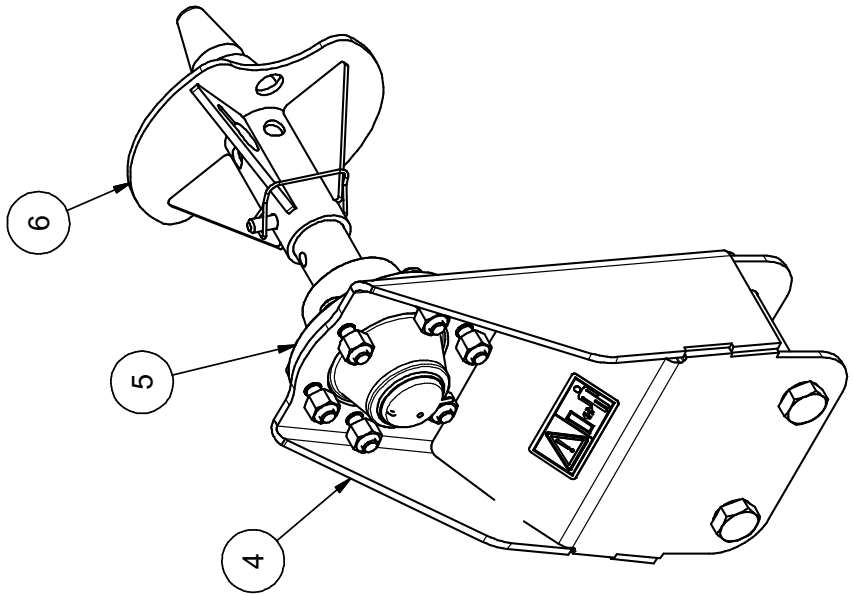
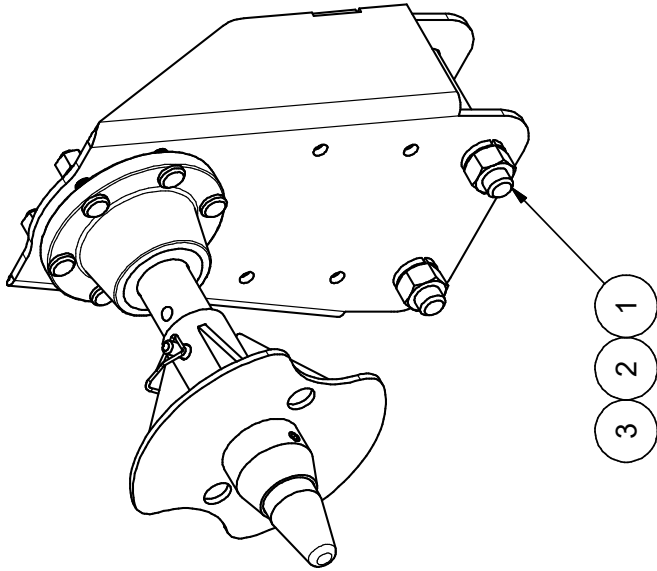
While rotating the rotor to ensure proper seating of the rollers, induce preload by using a torque wrench to tighten the adjusting nut to 50 foot pounds. Then loosen the adjusting nut one full turn. While continuing to rotate the rotor, re-torque the nut, this time to 10 foot pounds. Once again, loosen the adjusting nut, until the next castle opening and hole line up. Properly install and secure the cotter pin to prevent the nut from backing off.

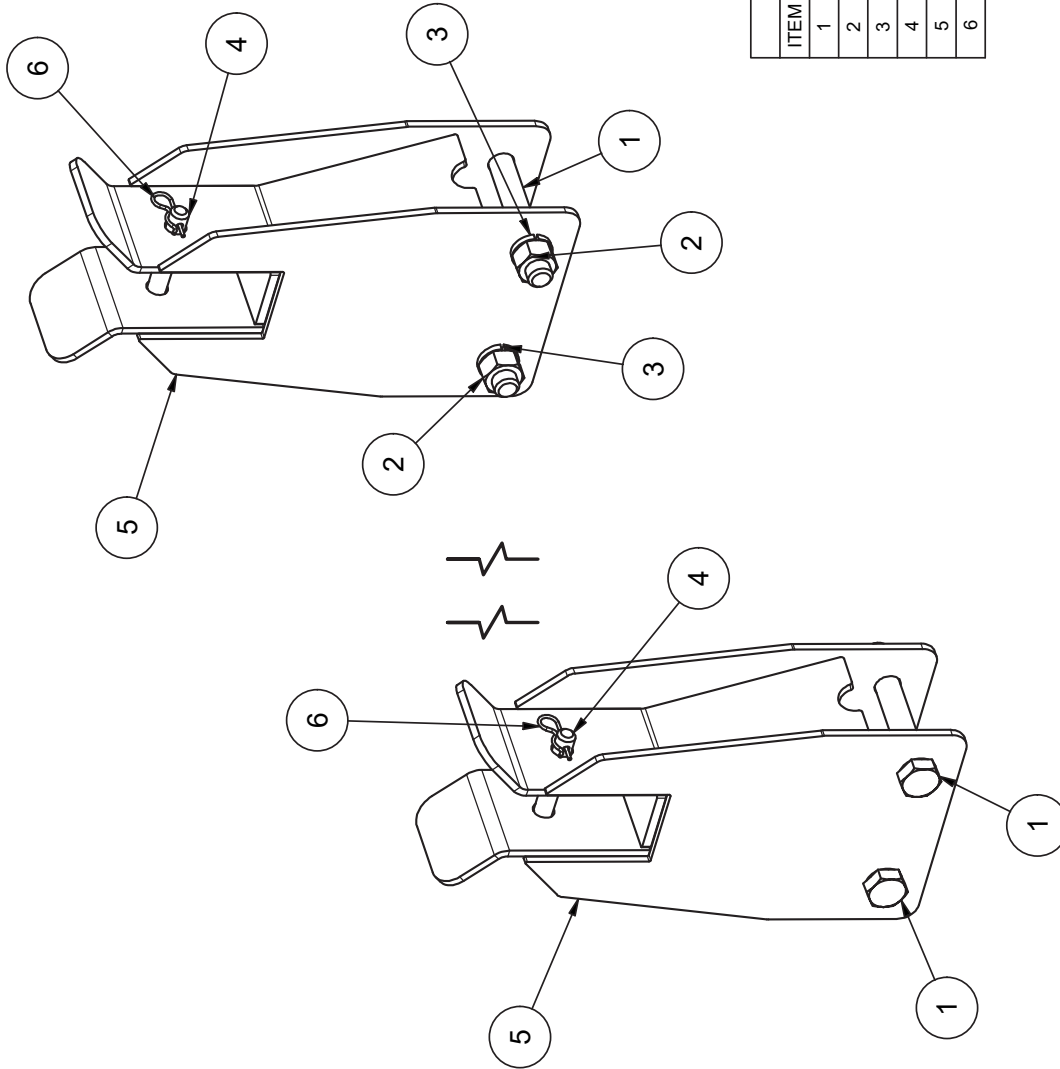


RT Spindle

| Part # 205412 | | ITEM | QTY | PART # | DESCRIPTION |
|---------------|---|--------|--|--------|-------------|
| 1 | 4 | 110364 | BOLT, 1-8 X 7.0 | | |
| 2 | 4 | 110601 | NUT, 1-8 | | |
| 3 | 4 | 110649 | WASHER, 1" LOCK | | |
| 4 | 2 | 205413 | XRT Spindle Riser, 4x4 Arm, Service Part | | |
| 5 | 2 | 214004 | Spindle & Hub Assembly, RT | | |
| 6 | 2 | 214010 | Spinner Assembly, RT | | |

XRT Spinner & Riser Assembly





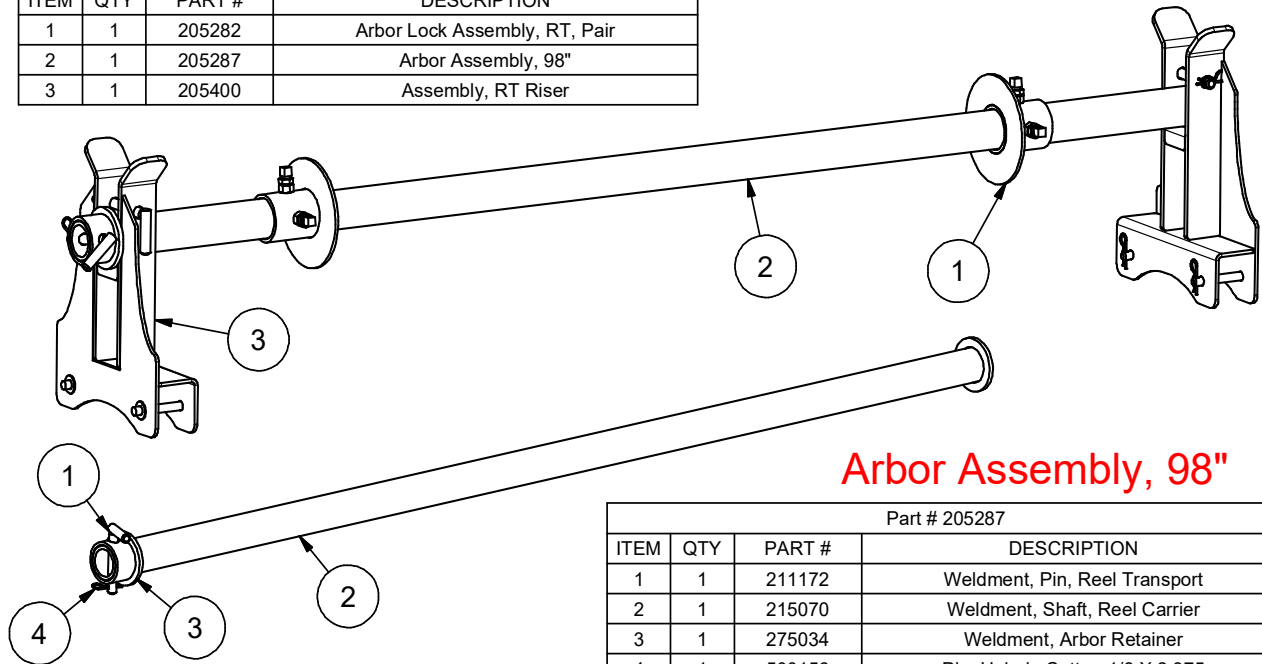
Parts List

| ITEM | QTY | PART # | DESCRIPTION |
|------|-----|--------|----------------------------------|
| 1 | 4 | 110364 | BOLT, 1-8 X 7.0 |
| 2 | 4 | 110601 | NUT, 1-8 |
| 3 | 4 | 110649 | WASHER, 1" LOCK |
| 4 | 2 | 211172 | Weldment, Pin, Reel Transport |
| 5 | 2 | 215454 | WELDMENT, XRT RISER |
| 6 | 2 | 500156 | PIN, HAIRPIN COTTER, 1/8 X 2.375 |

XRT Riser Assembly

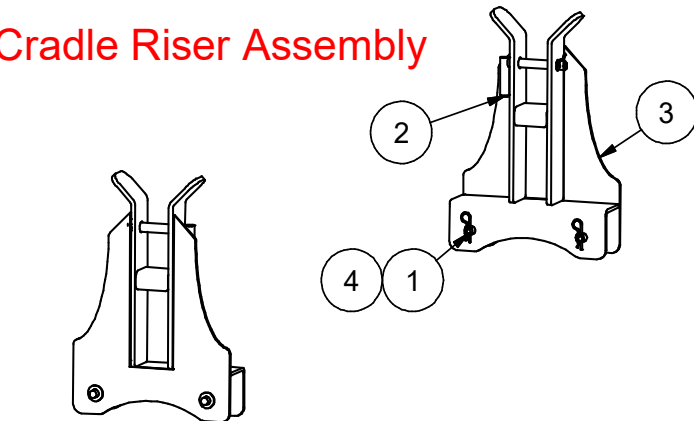
Cradle Risers, Arbor & Locks

| Part # 205292 | | | |
|---------------|-----|--------|-------------------------------|
| ITEM | QTY | PART # | DESCRIPTION |
| 1 | 1 | 205282 | Arbor Lock Assembly, RT, Pair |
| 2 | 1 | 205287 | Arbor Assembly, 98" |
| 3 | 1 | 205400 | Assembly, RT Riser |



| Part # 205287 | | | |
|---------------|-----|--------|----------------------------------|
| ITEM | QTY | PART # | DESCRIPTION |
| 1 | 1 | 211172 | Weldment, Pin, Reel Transport |
| 2 | 1 | 215070 | Weldment, Shaft, Reel Carrier |
| 3 | 1 | 275034 | Weldment, Arbor Retainer |
| 4 | 1 | 500156 | Pin, Hairpin Cotter, 1/8 X 2.375 |

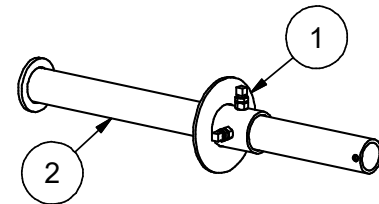
Cradle Riser Assembly



| 205400 | | | |
|--------|-----|--------|----------------------------------|
| ITEM | QTY | PART # | DESCRIPTION |
| 1 | 4 | 211171 | Weldment, Pin, Reel Transport |
| 2 | 2 | 211172 | Weldment, Pin, Reel Transport |
| 3 | 2 | 215442 | WELDMENT, RT RISER |
| 4 | 6 | 500156 | Pin, Hairpin Cotter, 1/8 X 2.375 |

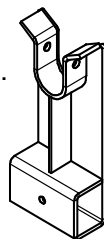
Arbor Lock Assembly

| Part # 205282 | | | |
|---------------|-----|--------|---------------------------------|
| ITEM | QTY | PART # | DESCRIPTION |
| 1 | 2 | 275024 | Weldment, Arbor Lock, 3" |
| 1.1 | | 110039 | NUT, 5/8-11 JAM |
| 1.2 | | 110147 | Set Screw, 5/8-11 X 1 1/2 Sq Hd |

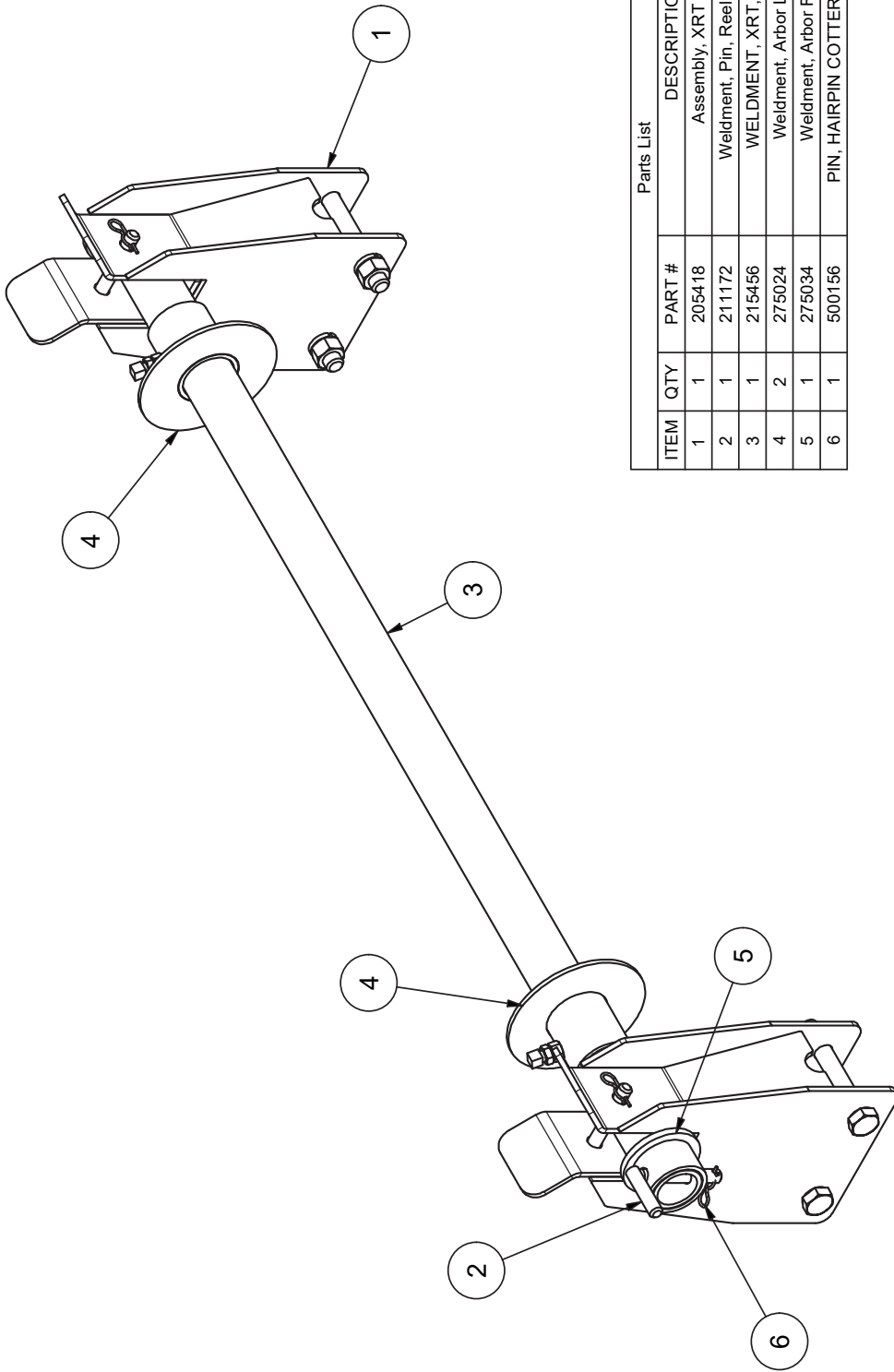


| 205401 | | | |
|--------|-----|--------|----------------------------|
| ITEM | QTY | PART # | DESCRIPTION |
| 1 | 1 | 275024 | Weldment, Arbor Lock, 3" |
| 2 | 1 | 275047 | Weldment, RT Arbor Adapter |

*** Old Cradle (211229) is Obsolete.
If Replacing Will Need
Pair of New Style (205400).
Pins are the same.



6/14/2022



Parts List

| ITEM | QTY | PART # | DESCRIPTION |
|------|-----|--------|----------------------------------|
| 1 | 1 | 205418 | Assembly, XRT Riser |
| 2 | 1 | 211172 | Weldment, Pin, Reel Transport |
| 3 | 1 | 215456 | WELDMENT, XRT, ARBOR |
| 4 | 2 | 275024 | Weldment, Arbor Lock, 3" |
| 5 | 1 | 275034 | Weldment, Arbor Retainer |
| 6 | 1 | 500156 | PIN, HAIRPIN COTTER, 1/8 X 2.375 |

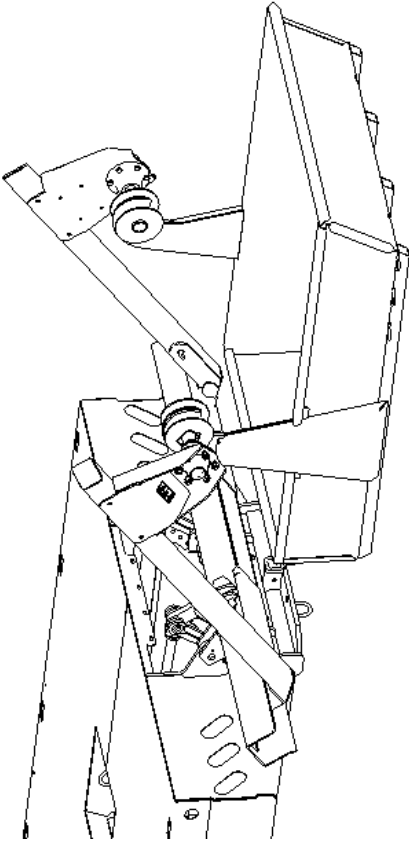
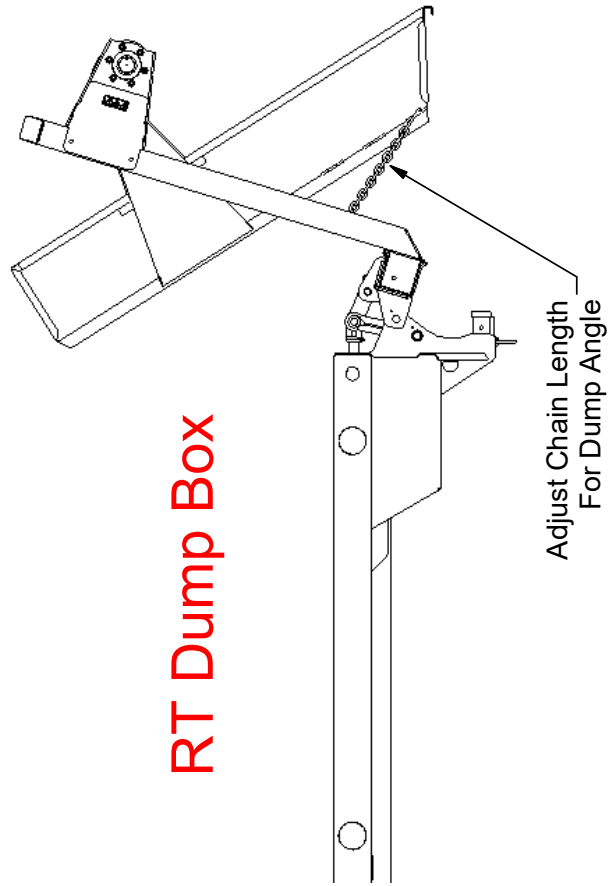
XRT Cradle Riser, Arbor, & Locks

| | 205497 | REV: NC | |
|------------|--------|---------|----------------------------------|
| Parts List | | | |
| ITEM | QTY | PART # | DESCRIPTION |
| 1 | 2 | 110046 | WASHER, 7/8" FLAT SAE |
| 2 | 2 | 110305 | Pin, Lynch 7/16 x 1 3/4 |
| 3 | 3 | 211172 | Weldment, Pin, Reel Transport |
| 4 | 1 | 265230 | Weldment, Drop Cradle Arbor |
| 5 | 1 | 265232 | Weldment, Drop Cradle Right, XRT |
| 6 | 1 | 265233 | Weldment, Drop Cradle Left, XRT |
| 7 | 1 | 275034 | Weldment, Arbor Retainer |
| 8 | 3 | 500156 | PIN, HAIRPIN COTTER, 1/8 X 2.375 |

XRT Drop Cradle

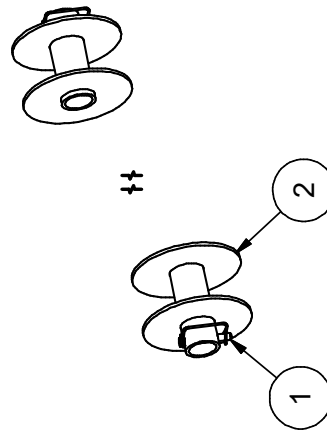
NOTE: To transfer between drop cradle and winder, reels under 32" will need to be elevated off the bed deck.

RT Dump Box



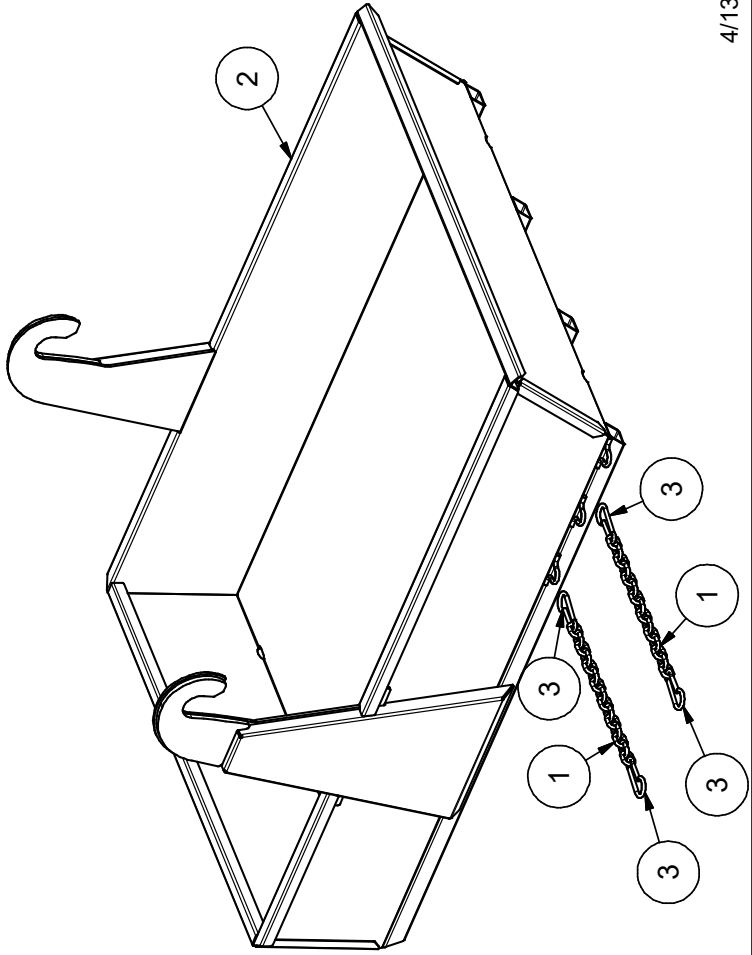
Part# 205378

| ITEM | QTY | PART # | DESCRIPTION |
|------|-----|--------|---------------------------|
| 1 | 2 | 270076 | Chain, 3/8 Coil, 15 Links |
| 2 | 1 | 275028 | Weldment, RT Dump Box |
| 3 | 4 | 902208 | Carabiner, 3/8", Zinc |



Part# 205383

| ITEM | QTY | PART # | DESCRIPTION |
|------|-----|--------|--|
| 1 | 2 | 102124 | Pin, Lock, .50 x 3, Grade 8, Single Wire |
| 2 | 2 | 275029 | Weldment, RT Dump Box Spinner |



4/13/2021

GatorHyde Repair Instructions



Required items:

- 1 – 25 x 25 ml caulking gun (202030)
- 1 – 25 x 25 ml cartridge set of GatorHyde Repair Material (202031)
- 1 – pair of rubber gloves
- 1 – wooden stick
- 1 – Instruction sheet and MSDS sheet
- 1 – MEK – methyl ethyl ketone solvent (available at most hardware stores)
- 1 – small paint brush
- 2 – plastic cups

Note:

This repair is designed to easily fix small, damaged areas fast and with limited amount of effort. However this product is fast reacting so make sure to thoroughly read this instruction sheet before proceeding with repairs.

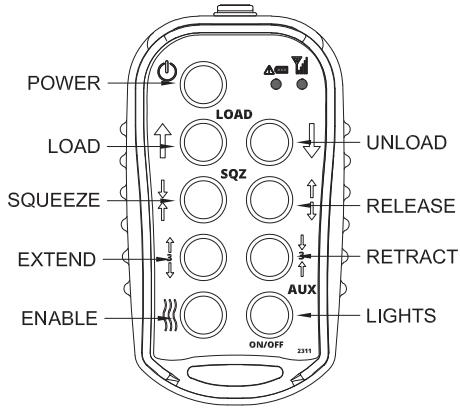
⚠ SAFETY WARNING!
Read the Master Safety Data Sheets (MSDS) on all chemicals before handling any chemical.
See: <http://www.msds.com>

Application Instruction:

- Step 1.** Before you start, put on rubber gloves and safety glasses.
 - Step 2.** Place a piece of cardboard or newspaper next to the repair area prior to opening and mixing the material.
 - Step 3.** Cut back damaged area with a razor knife to make a square.
 - Step 4.** Sand area and feather edges with 40 grit sandpaper. Blow out sanded area to get rid of dust.
 - Step 5.** Clean area well with MEK solvent and allow to dry for 30 minutes.
 - Step 6.** Attach static mixing wand to 25 x 25 ml cartridge set, twist and lock in place. Insert cartridge into caulking gun.
 - Step 7.** Hold the caulking gun in an upright position in one hand, then set the two plastic cups on a flat surface side by side. Next point the static mixing wand into a cup and squeeze the trigger of the gun two times so a small amount of material is discharged into the cup. (Note! This material is to be discarded.) Immediately move the static mixing wand over and point it into the next cup and continue to discharge the remaining amount of material into this cup.
 - Step 8.** Allow the material to set in cup and gently stir with wooden stick for a period of 1 to 1 ½ minutes or until the GatorHyde becomes thicker and will stick to either a finger or wooden stick.
 - Step 9.** Once material has begun to gel, apply enough product to finger or a stick and immediately dab onto damaged area. Use the paint brush to dab the area in a vertical manner to make a textured surface.
- Cure time.** Allow repaired area to cure for a period of 1 hour prior to heavy impact loading.
- Clean-up.** In order to clean up the area take a paper sack or plastic trash bag and place all the empty jars and remaining contents of the repair kit and dispose into a standard trash can or simply put everything back in the box and throw away.

GatorHyde Protective Coatings, Inc., 2210 South Highway 69, Wagoner, OK 74467 * (918) 485-2835 *
www.gatorhyde.com

Appendix II



Remote Control

SYNCHRONIZING TRANSMITTER AND RECEIVER

To teach the transmitter ID code to the receiver, use the following procedure:

1. Make sure the receiver and transmitter are OFF.
2. Press & hold button 1 and 8 (as shown) then press Power button until both LEDs blink. Release buttons.
3. Apply power to the receiver.
4. Wait for ~5 seconds or until the green LED on the transmitter blinks rapidly.
5. Teach complete.

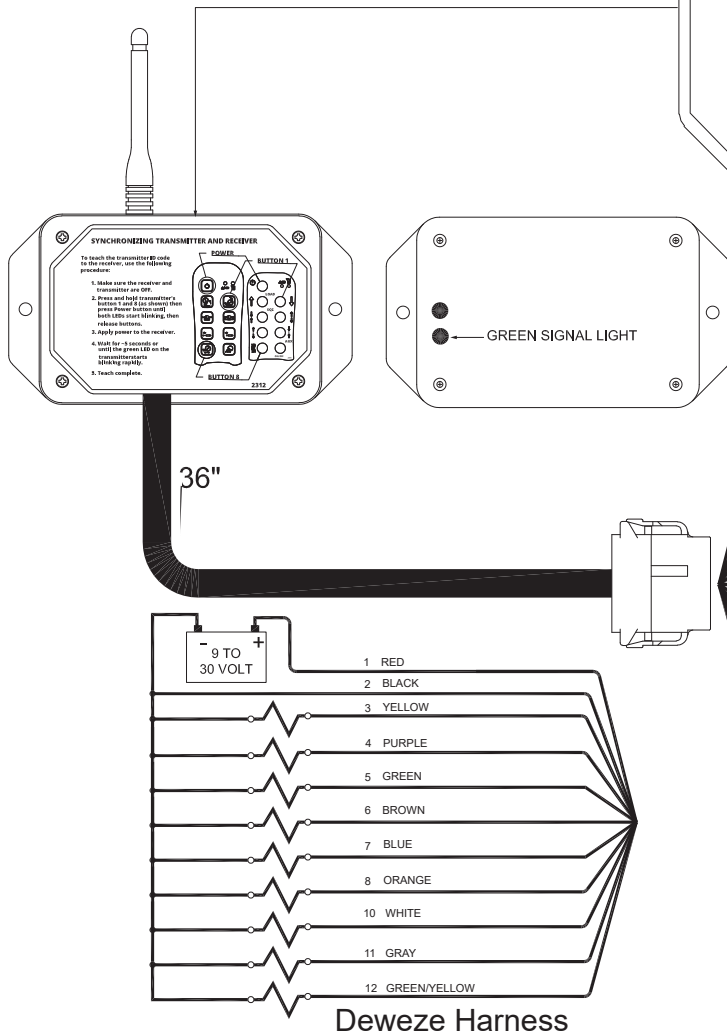
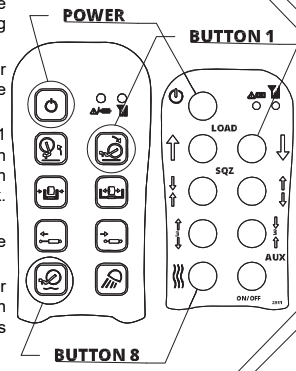
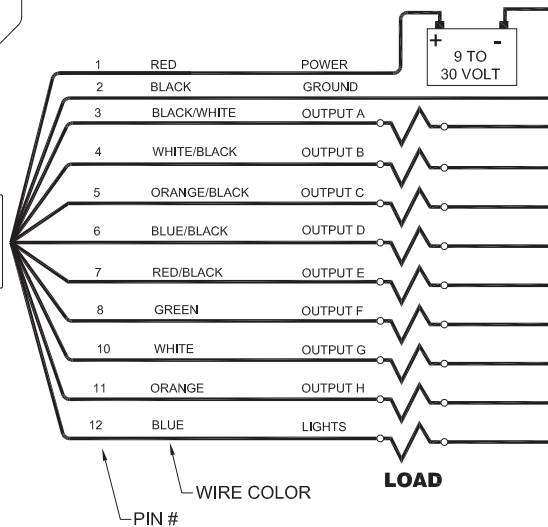
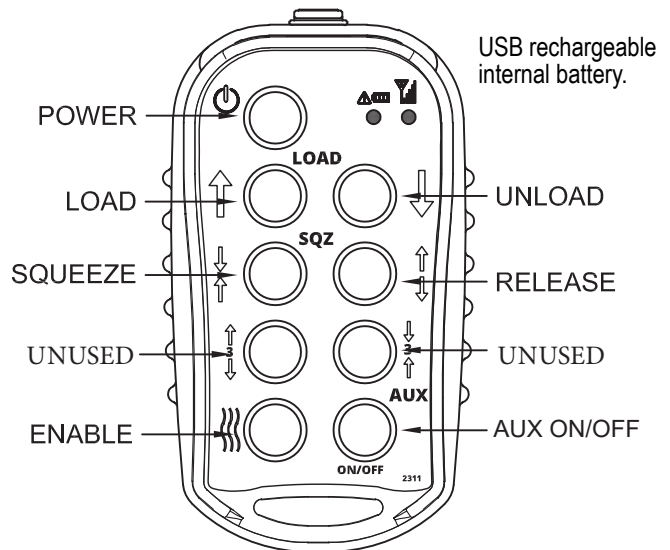
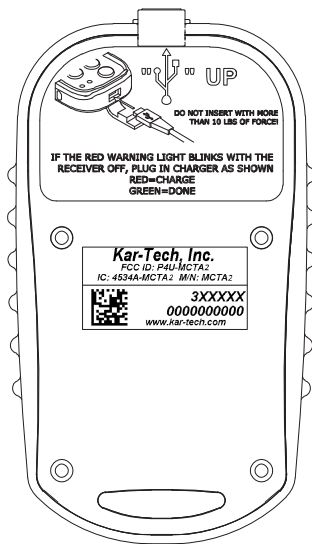


FIG. 1: RECEIVER WITH COVER REMOVED





SYSTEM OPERATION:

Press and hold the power button on the transmitter until both LEDs turn on, then release. The green LED will flash rapidly when communication has been established. When the receiver is off, the red LED will flash slowly indicating this. With the receiver on, press the corresponding buttons on the transmitter keypad to turn on and off each of the outputs.

INDICATOR LIGHTS:

The transmitter has two LED indicators, the red BATTERY/DIAGNOSTIC indicator and the green TRANSMIT indicator. The green TRANSMIT indicator flashes rapidly whenever there is communication between the transmitter and the receiver. The red BATTERY/DIAGNOSTIC indicator blinks once per second when the battery voltage is low. It also blinks when there is a problem with the system in the form of an error code. Refer to the ERROR CODE CHART tables for more information.

Note: To check for low battery, turn the receiver off and leave the transmitter on. If the transmitter red LED continues to blink, the battery is low. If the red LED blinks only when the receiver is ON, count the number of blinks and refer to the ERROR CODE CHART.

SLEEP TIME:

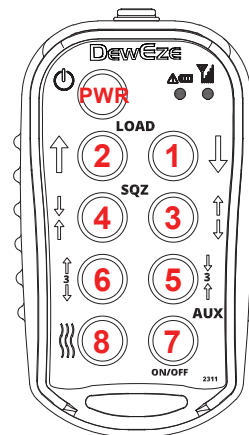
The transmitter is factory set to turn off (sleep) after 15 minutes. Use the following procedure to change the time before sleep mode.

1. Press and hold SQUEEZE, RELEASE, ENABLE & POWER (~5 sec) Both lights should blink once per second. Release the buttons.
3. Adjust SLEEP with the following buttons:
 - a. UNLOAD = 15 min
 - b. LOAD = 30 min
 - c. RELEASE = 1 hr
 - d. SQUEEZE = 2 hr
 - e. ENABLE = sleep disabled.

| RT/XRT PROGRAM (set at the factory) |
|--|
| POWER OFF - Receiver & Transmitter |
| POWER ON - Transmitter |
| HOLD buttons 1, 4 & 8 until RED light blinks |
| POWER ON - Receiver |
| PRESS Button 8 . |
| PRESS transmitter PWR button to save selection and exit config mode. |

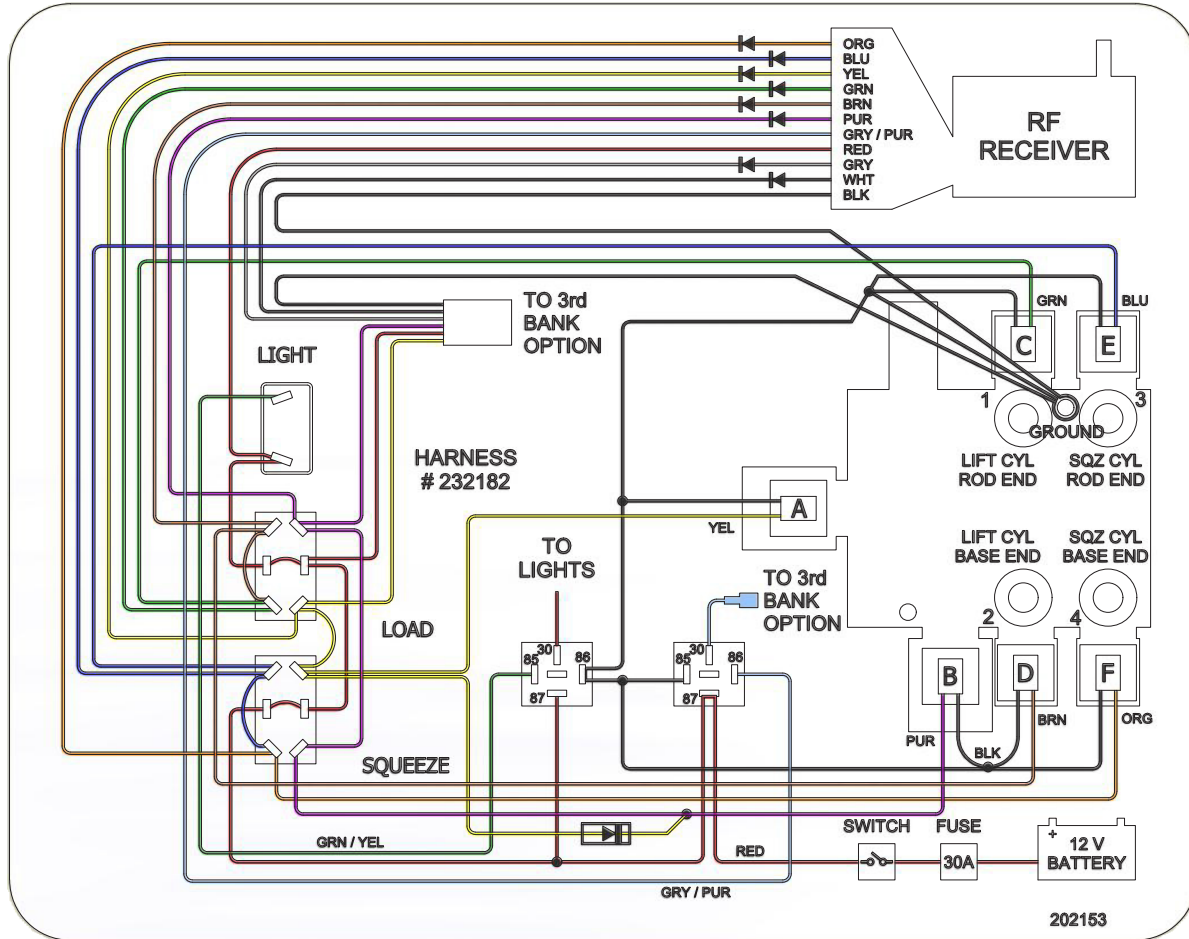
SPECIFICATIONS

- Electrical:
- RF Transmit power (EIRP): 10 mW
 - RF Frequency: 902-928 MHz
- Transmitter:
- Power: 3.7 Lithium battery
 - Operation time: 16 to 17 hours continuous
- Receiver:
- Power 9 to 30 VDC
 - Outputs: 5A max each (20A system max)
- Environmental:
- Transmitter: 0°F to 131°F Receiver: -40°F to 185°F



2 Bank Wiring, Reel Transport, Enable Function

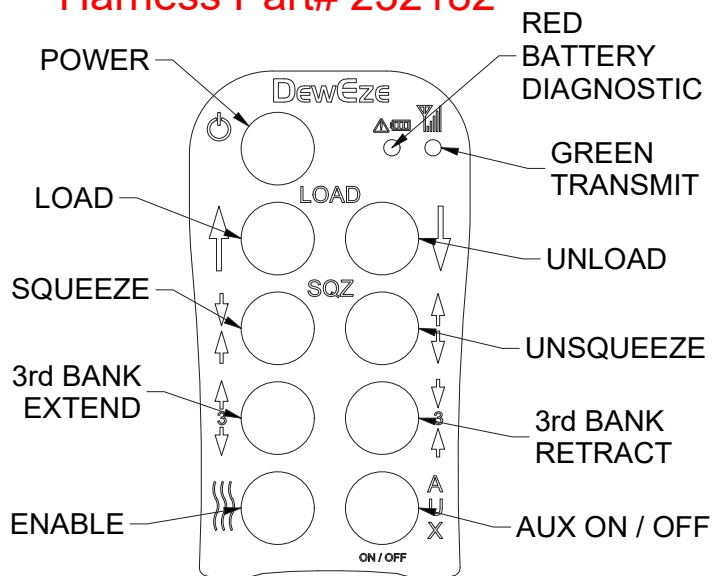
Gen 3 Double Poppet, Deutsch



Decal Part# 202153

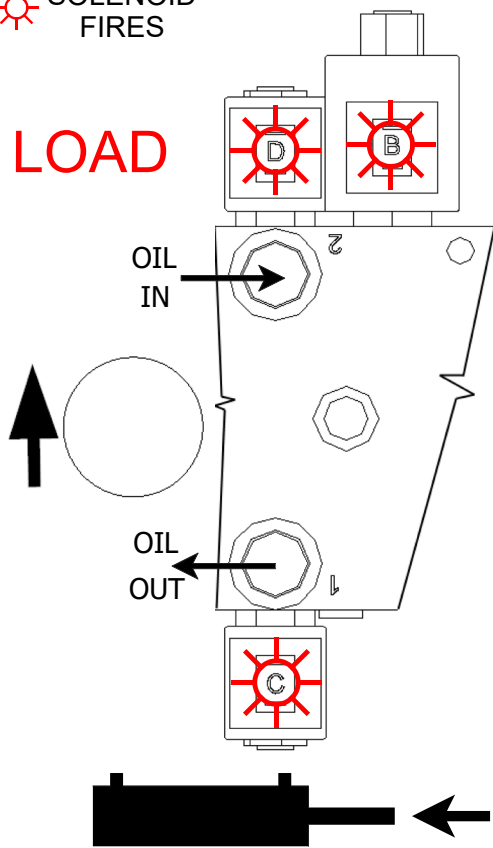
Harness Part# 232182

| DOUBLE POPPET VALVE | |
|----------------------------|-------------|
| FUNCTION | COILS |
| LOAD | B, C & D |
| UNLOAD | B, C, D & A |
| SQUEEZE | B, E & F |
| UNSQUEEZE | B, E, F & A |
| 202052 | |

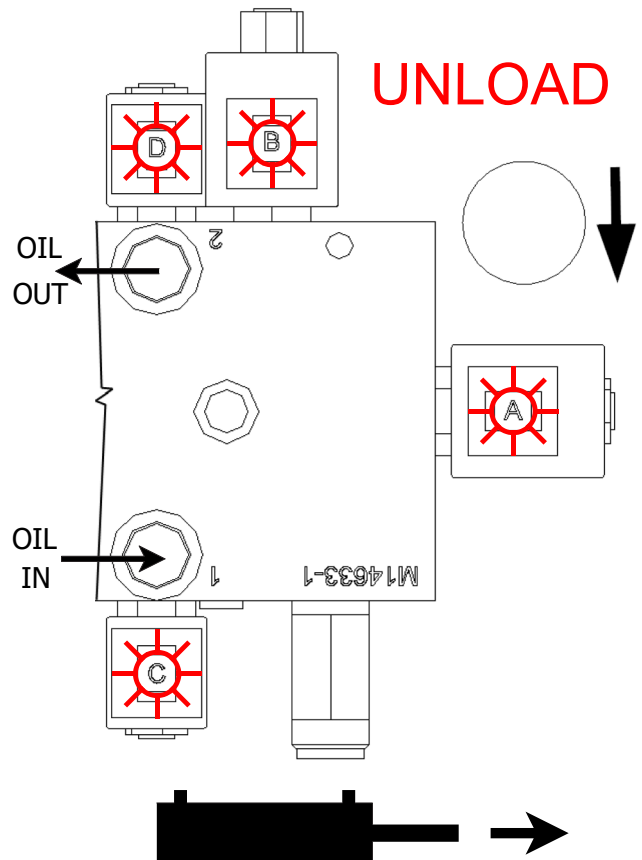


 SOLENOID FIRES

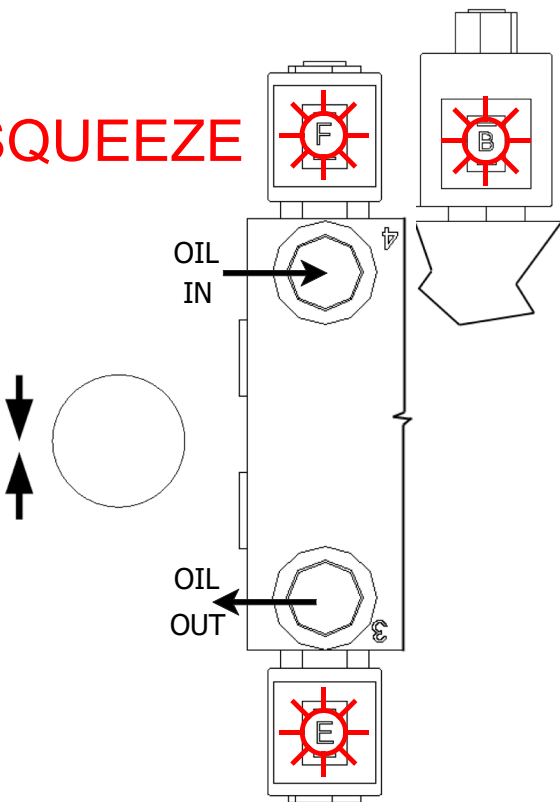
LOAD



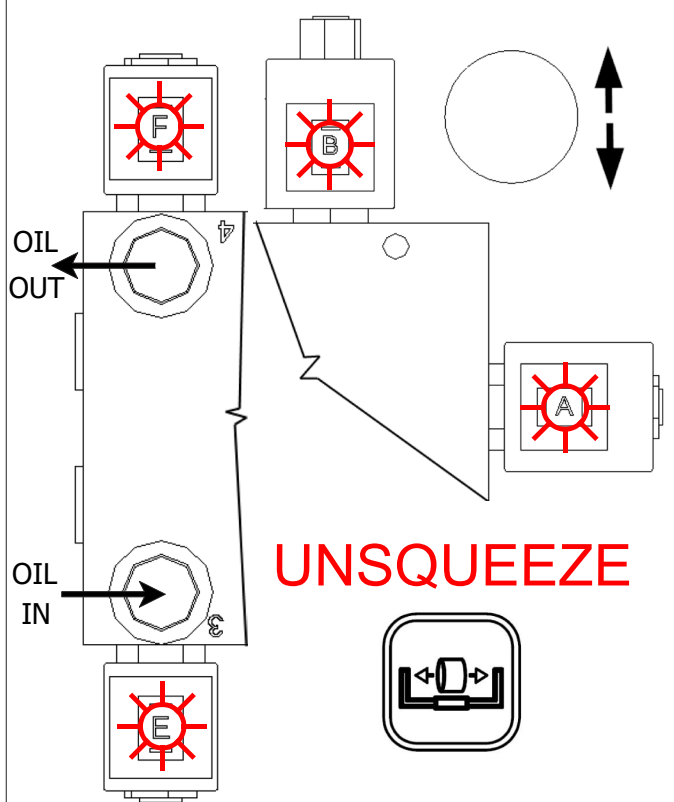
UNLOAD



SQUEEZE

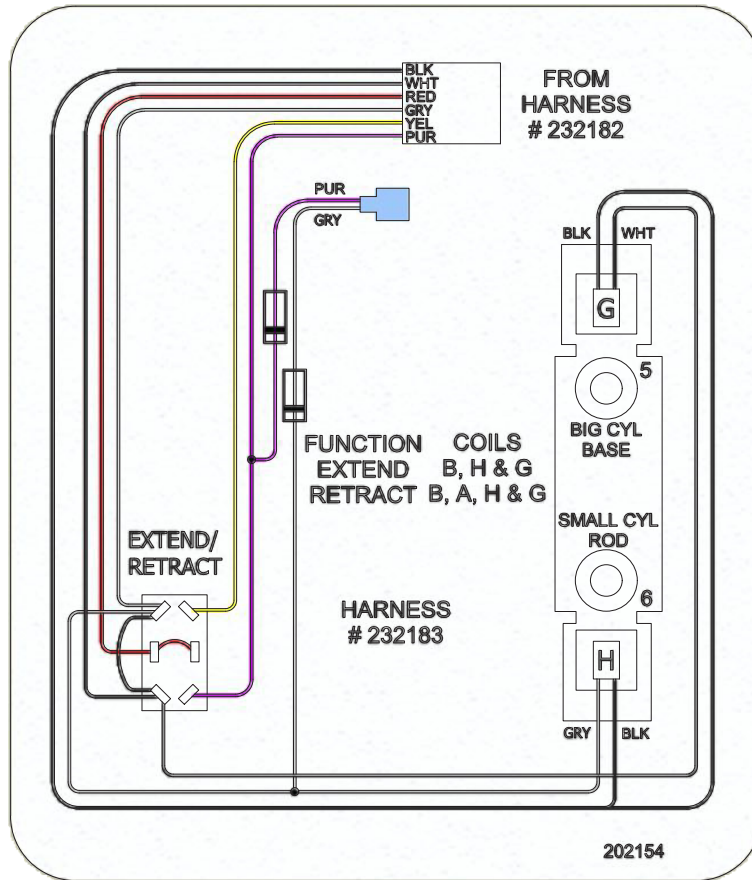


UNSQUEEZE



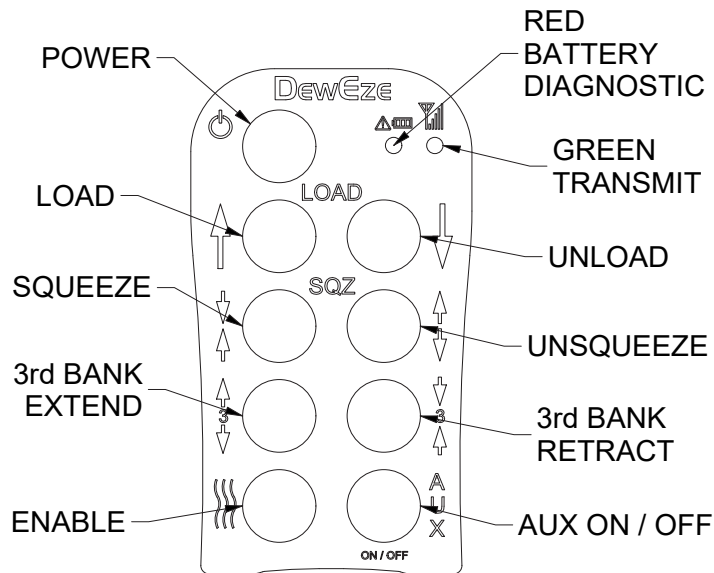
3rd Bank Wiring, Reel Transport, Enable Function

Gen 3 Double Poppet, Deutsch

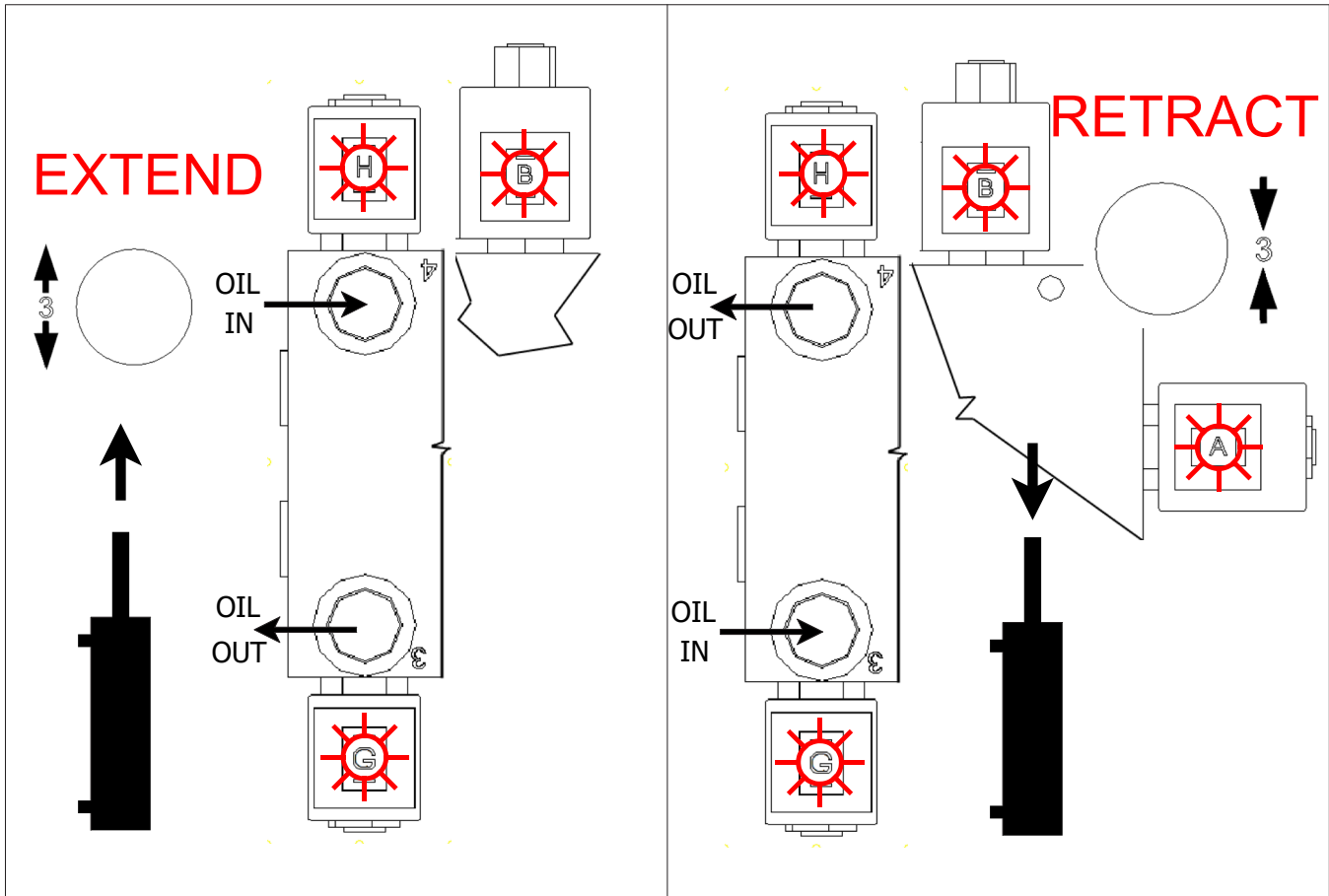


Decal Part# 202154

Harness Part# 232183



6/1/2021



DewEze

LOAD

1 2

SQZ

3 4

5 6

AUX

ON / OFF

ENABLE

Enables other buttons for 5 seconds to engage respective outputs

DewEze

LOAD

SQZ

AUX

ON / OFF

AUX ON / OFF

3rd Bank Latching

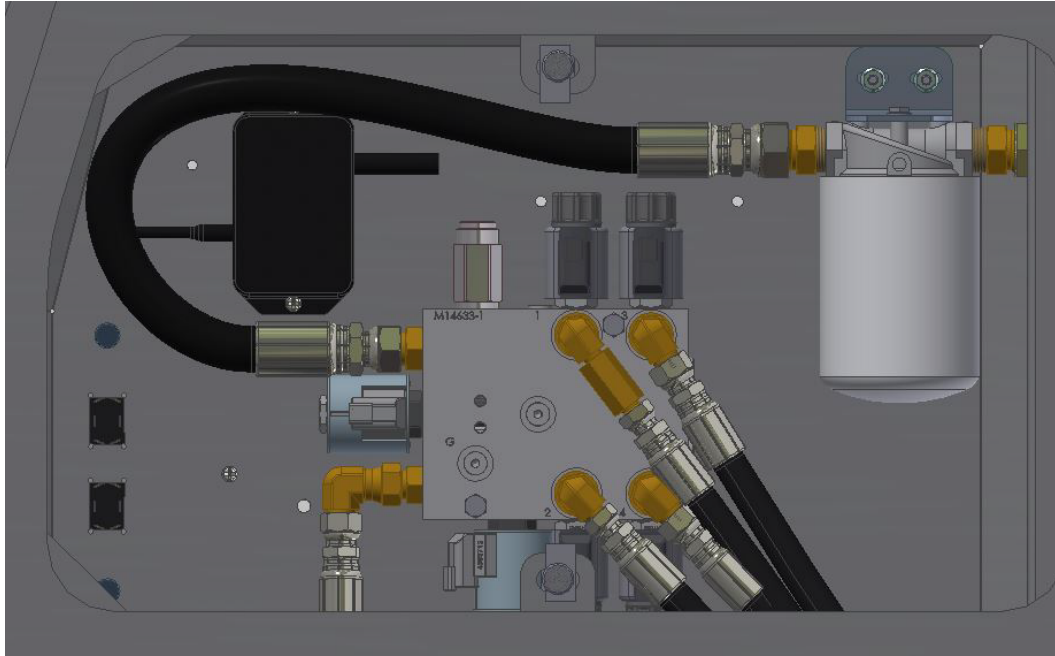
Latches 3rd bank in on position for operating winder function

6/1/2021

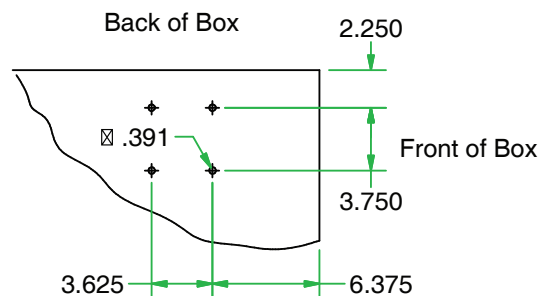
Appendix III

E / H KIT INSTALLATION INSTRUCTIONS

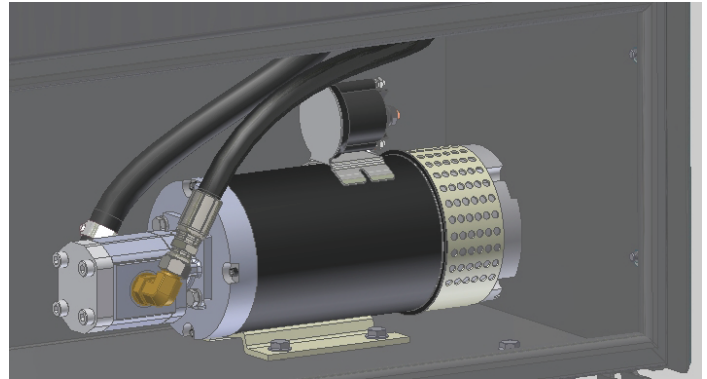
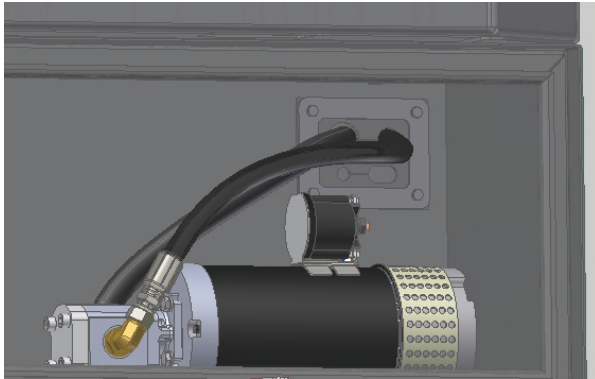
* Read all instructions first.



1. Attach adapters to valve and install inside cavity on headache rack.
2. Attach valve harness per diagram on decal.
3. Attach return hose to valve and filter housing. Attach pressure hose from pump.
4. Attach 1/2" hoses from squeeze cylinder to valve ports #3 & #4.
5. Attach 3/8" hoses from lift cylinder to valve ports #1 & #2.
6. Use cover plate to locate cutout in right side toolbox.
7. Use access cover or edge molding to protect hoses.
8. Drill holes for 3/8" bolts as indicated and bolt pump to inside of toolbox.



9. Attach purple switch wire from valve harness.
10. Attach 30-amp fuse holder to positive terminal on battery, run wire through switch on dash and then to the red wire on the harness.



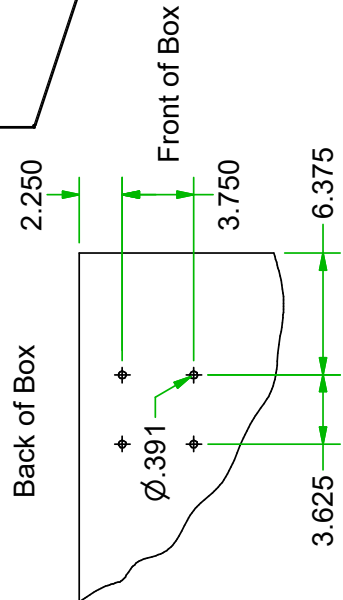
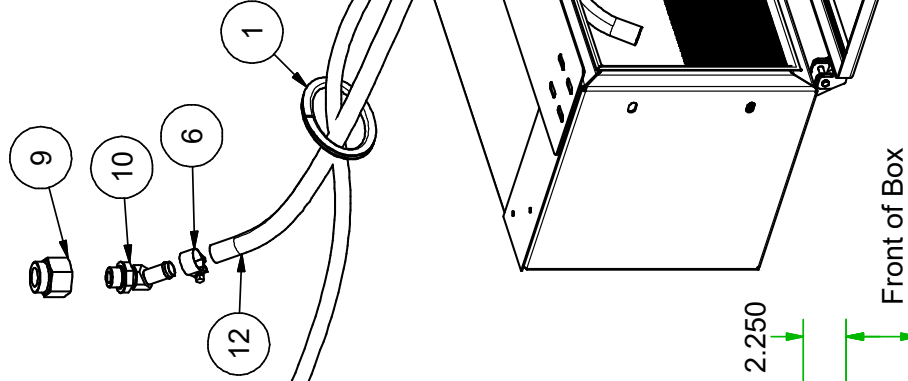
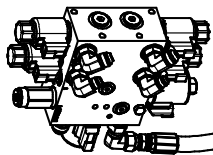
11. Attach suction hose and pressure hose to pump with adapters provided.
12. Attach suction hose to bottom of reservoir.
13. Run battery cables through hole in toolbox and attach to E/H motor as indicated.
14. Run battery cables along frame rail and attach black cable to negative terminal on battery.
15. Attach 200-amp fuse holder to positive battery terminal.
16. Insert 200-amp fuse.
17. Attach red cable from E/H on top of “ice cube” fuse. Install rubber cap.

If installing the 735021 Switch Unit — Read the E/H Hybrid specific instructions first.

Heavy Duty E/H

Parts List

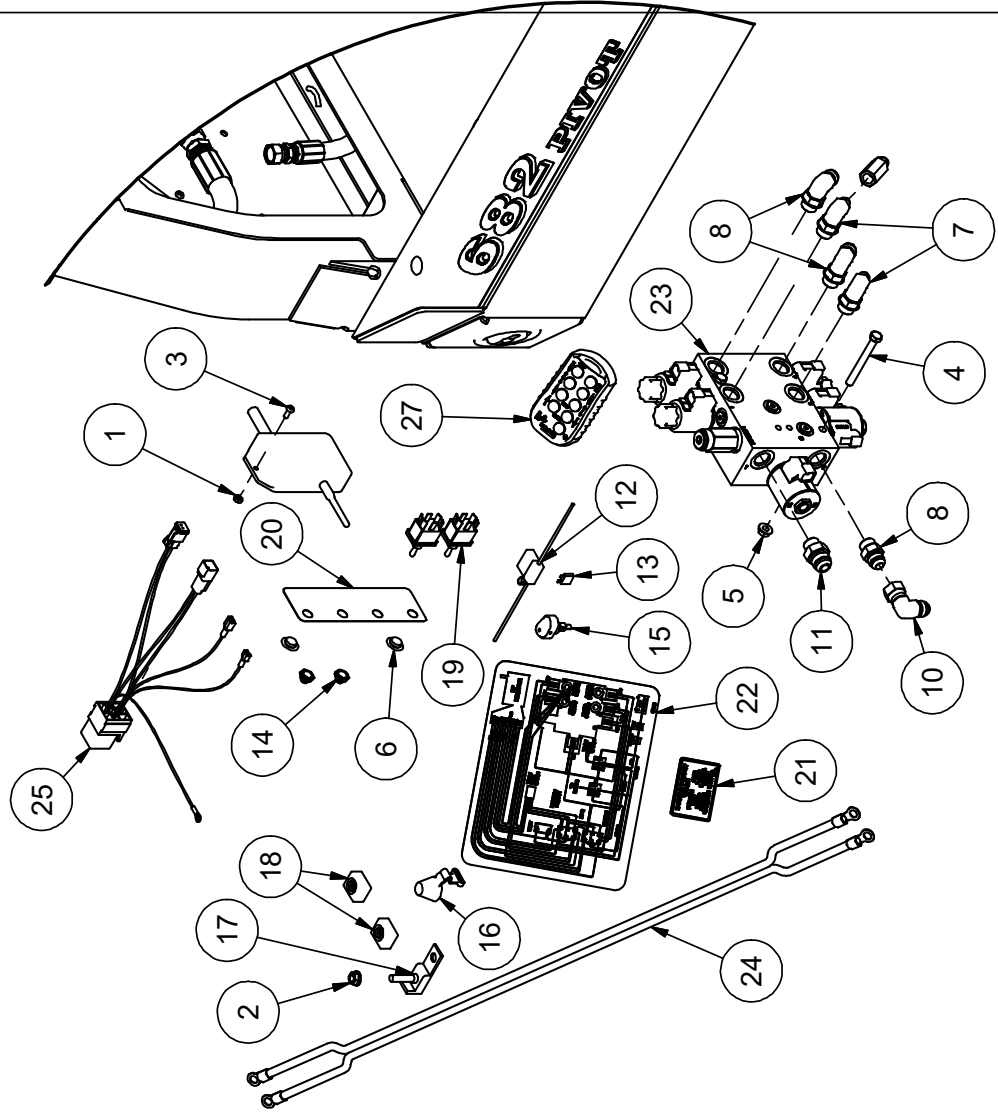
| ITEM | QTY | PART # | DESCRIPTION |
|------|-------|--------|-------------------------------------|
| 1 | 21 in | 100365 | EDGE TRIM |
| 2 | 4 | 110440 | BOLT, 3/8-16 X 1, W/Z FLANGE |
| 3 | 4 | 110672 | WASHER, 3/8" LOCK |
| 4 | 4 | 110676 | WASHER, 3/8" FLAT STANDARD |
| 5 | 4 | 110826 | NUT, 3/8-16 GR 5 |
| 6 | 2 | 112136 | Clamp, 3/4" T-Bolt, Supra W/2-120 |
| 7 | 1 | 120184 | ADAPTER, 12BH-10MB90 |
| 8 | 1 | 120288 | ADAPTER, 8MJ-8MB90 |
| 9 | 1 | 120544 | ADAPTER, 20MB-12FOR |
| 10 | 1 | 120545 | ADAPTER, 12BH-12MB 45° |
| 11 | 1 | 211849 | ACCESS COVER FRAME |
| 12 | 1 | 220603 | HOSE, SUCTION, .75 X 54 |
| 13 | 1 | 220738 | Hose, Pressure HD E/H |
| 14 | 1 | 230159 | E/h Motor Pump/unit, Heavy Duty 12V |
| | 1 | 232102 | Strap, Motor-Solenoid Connecting |
| | 1 | 232103 | Solenoid, 4 Post, 12VDC Contactor |
| 15 | 1 | 260400 | Shield, HD, E/H |
| 16 | 1 | 260401 | Access Cover, HD E/H |
| 17 | 4 | 710586 | SCREW, 1/4 X 1 TEK SELF-TAP |



6/3/2021

| RT Heavy Duty E/H, W/Remote Part # 205384 | | DESCRIPTION |
|---|-----|---|
| ITEM | QTY | PART # |
| 1 | 3 | 110119 NUT, 10-24 LOCK |
| 2 | 1 | 110141 NUT, M8 X 1.25 WIZFLANGE |
| 3 | 3 | 110264 BOLT, 10-24 X .5 STAINLESS, PHILLIPS |
| 4 | 2 | 110538 BOLT, 5/16-18 X 3.0 |
| 5 | 2 | 110606 NUT, 5/16-18 WIZ FLANGE |
| 6 | 2 | 120753 PLUG, 1/2" BUTTON PLASTIC |
| 7 | 2 | 120134 ADAPTER, 6MJ-8MB90 |
| 8 | 1 | 120277 ADAPTER, 8MJ-8MB |
| 8 | 1 | 120288 ADAPTER, 8MJ-8MB90 |
| 10 | 1 | 120368 ADAPTER, 8MJ-8FJX90 |
| 11 | 1 | 120493 ADAPTER, 10MJ-8MB |
| 12 | 1 | 132001 FUSE HOLDER, ATC, 14 GA., MINI |
| 13 | 1 | 132002 FUSE, MINI 30 AMP |
| 14 | 3 | 132035 SWITCH BOOT |
| 15 | 1 | 132044 Switch, Spst, Rocker Led |
| 16 | 1 | 132092 FUSE COVER, BUSS CFCOVER-1R |
| 17 | 1 | 132093 FUSE HOLDER, BUSS CFBAR1-M8XSP |
| 18 | 2 | 132094 FUSE 200 AMP, BUSS MRBF-200 |
| 19 | 2 | 132127 Switch, Toggle, DPDT, (On)-OFF-(ON) |
| 20 | 1 | 202003 DECAL, SWITCH IDENTIFICATION |
| 21 | 1 | 202052 Decal, Double Poppet Valve |
| 22 | 1 | 202153 Decal, Wiring Diagram, RT Valve |
| 23 | 1 | 223044 Flatbed Valve, Small, Monoblock Ver II |
| 24 | 1 | 230155 BATTERY CABLE, 2GA TWIN LEAD, 186" |
| 25 | 1 | 232115 Harness, Flatbed Valve, E/H Control |
| 26 | 1 | 232182 Harness, Reel Transport, 2 Bank |
| 27 | 1 | 233012 Transmitter & Receiver, Macro, Kar-Tech |
| | 1 | 232245 Charging Cable, USB 2.0 A to Micro B, 3' |

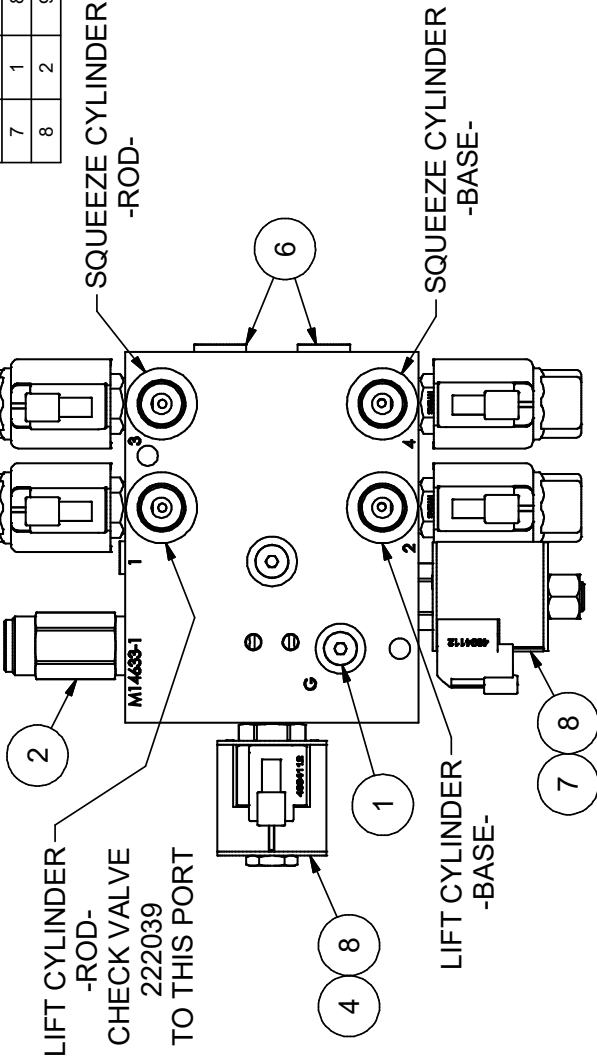
**Heavy Duty E/H Kit
W/ Remote
W/ Enable Function**



**Flatbed Valve
-08 Hydac Deutsch
Service Parts**

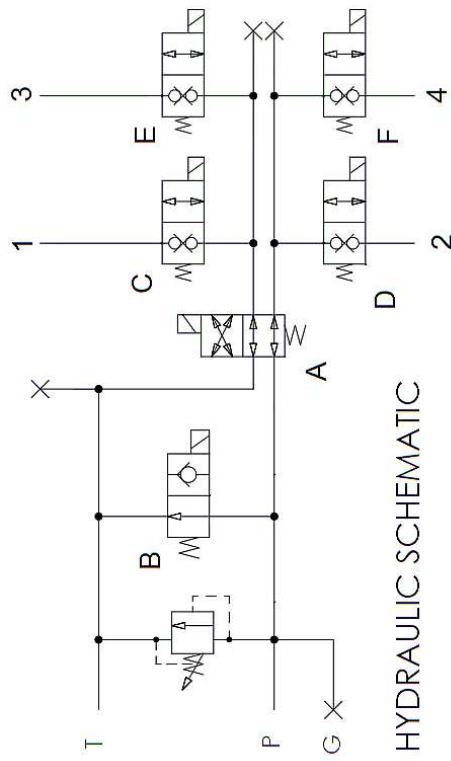
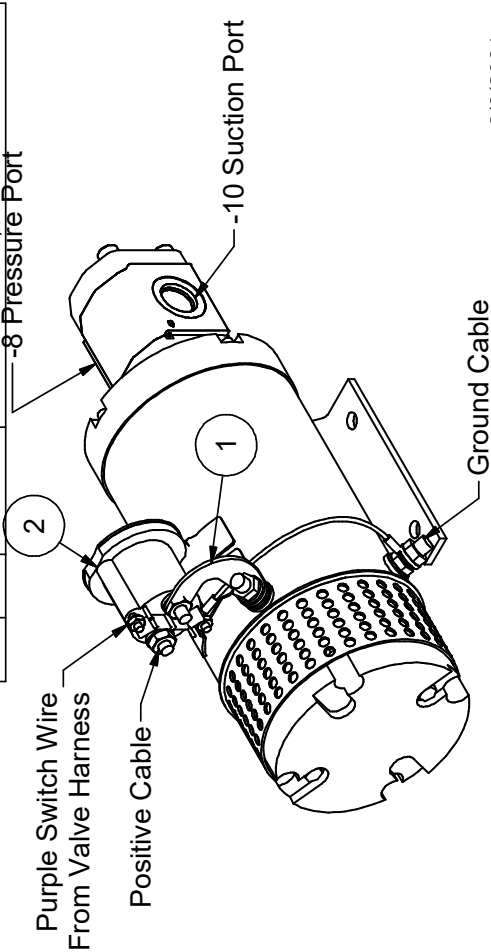
Flatbed Valve, Small, Hydac Deutsch P/N 223044

| ITEM | QTY | PART # | DESCRIPTION |
|------|-----|--------|--|
| 1 | 3 | 120062 | O-Ring Plug, #4 7/16-20 |
| 2 | 1 | 222004 | Valve, Pressure Relief |
| 3 | 4 | 222010 | Cartridge, #8 HYDAC Double Poppet |
| 4 | 1 | 222045 | #10 SOLENOID, 2 POSITION 4 WAY |
| 5 | 4 | 222059 | Coil, #8 Hydac, DT04-2P Suppressed |
| 6 | 2 | 720164 | O-Ring Plug, #8 3/4-16 |
| 7 | 1 | 820232 | Spool, #10 Valve |
| 8 | 2 | 922119 | Coil, #10 Hydratorce, DT04-2P Suppressed |

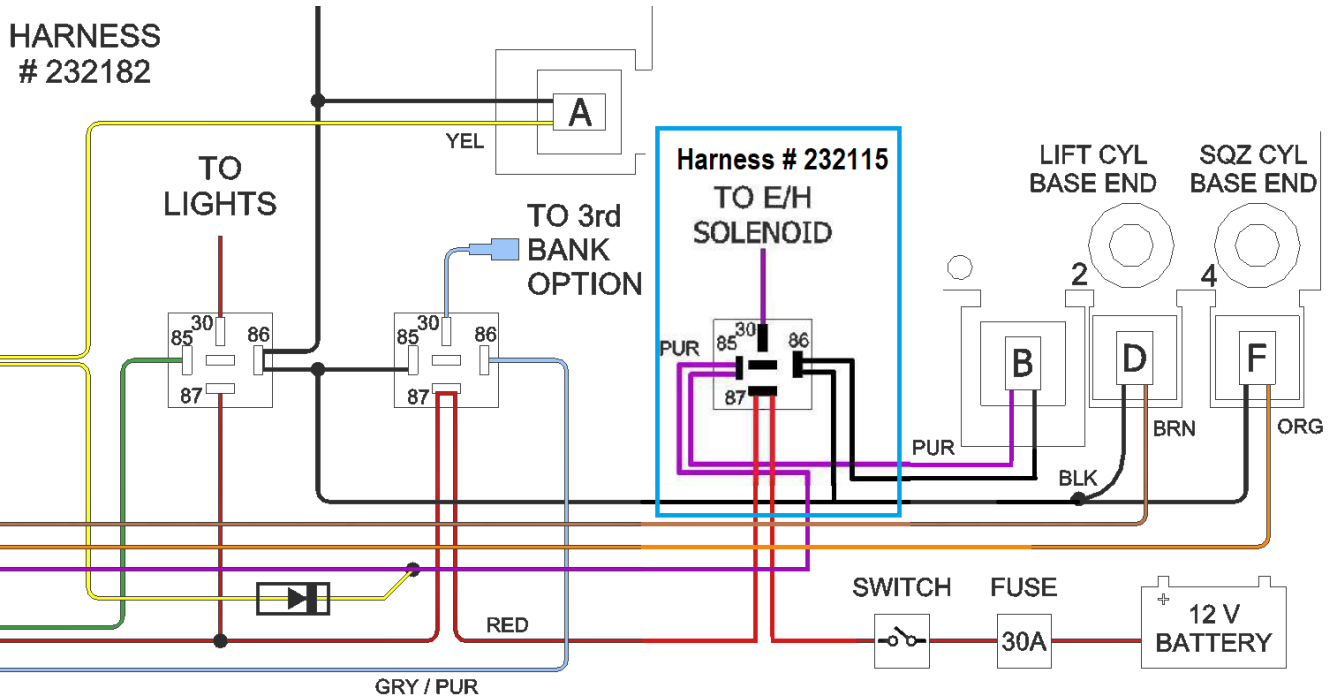
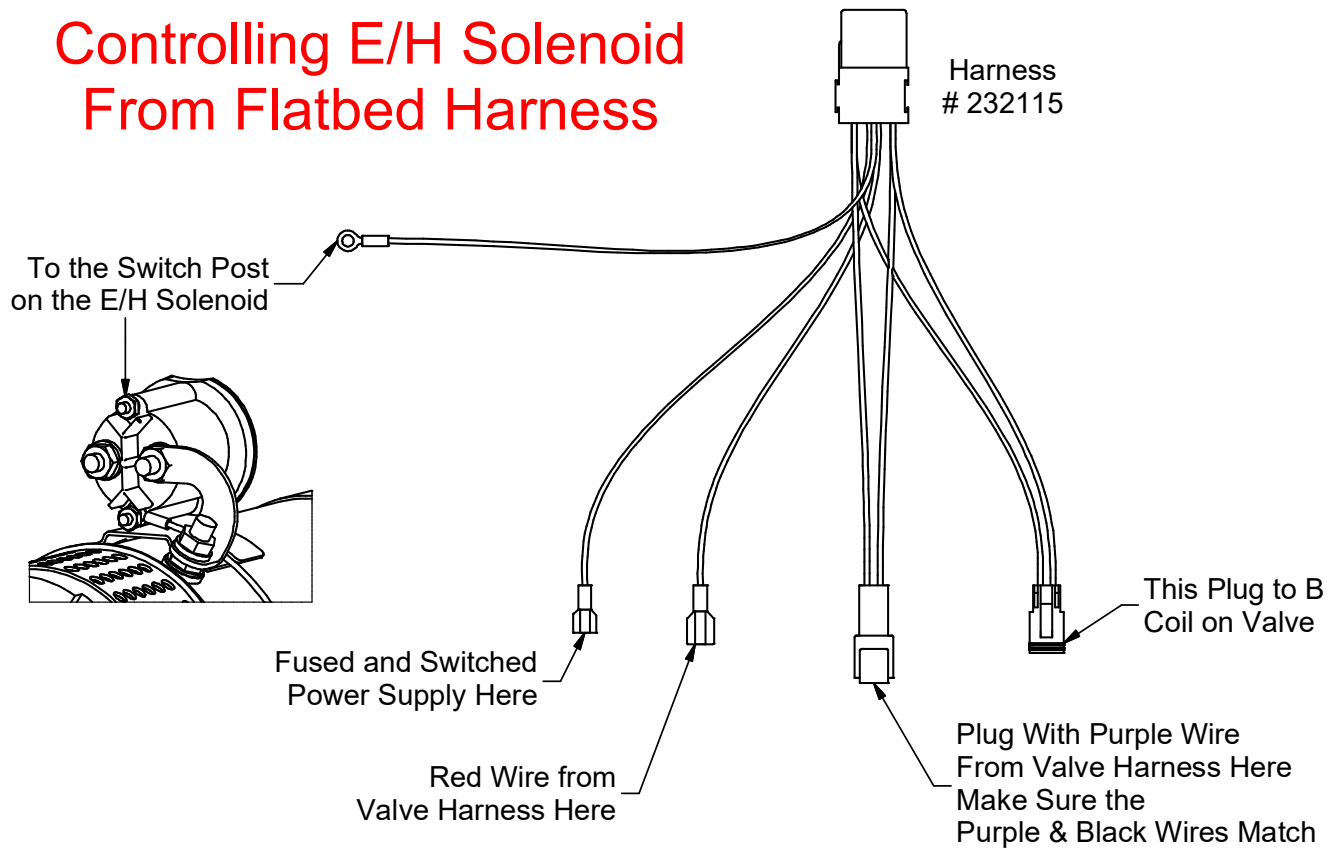


**Heavy Duty E/H
Motor & Pump**

| ITEM | QTY | PART # | DESCRIPTION |
|------|-----|--------|-----------------------------------|
| 1 | 1 | 232102 | Strap, Motor-Solenoid Connecting |
| 2 | 1 | 232103 | Solenoid, 4 Post, 12VDC Contactor |
| 3 | 1 | 222103 | Pump, HD EH |



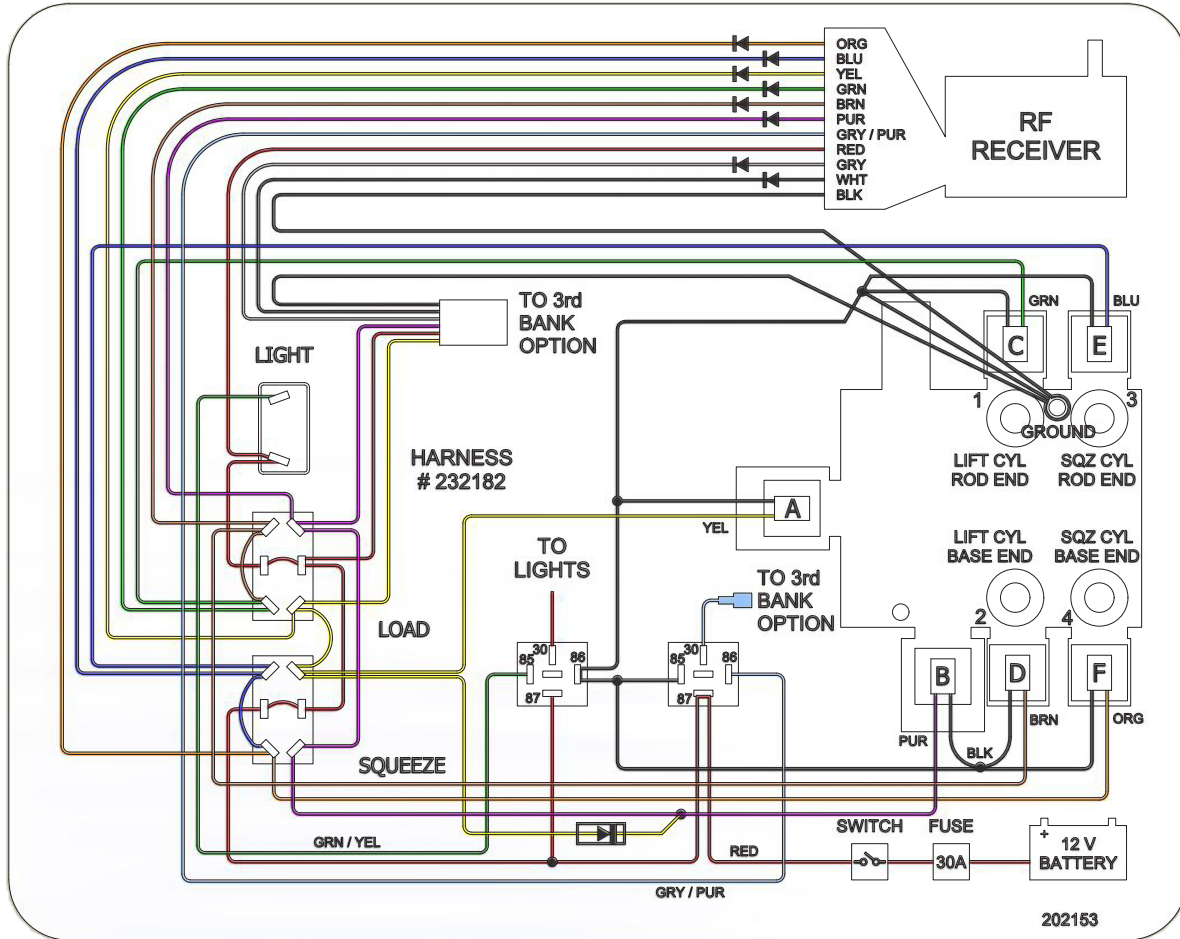
Controlling E/H Solenoid From Flatbed Harness



6/3/2021

2 Bank Wiring, Reel Transport, Enable Function

Gen 3 Double Poppet, Deutsch

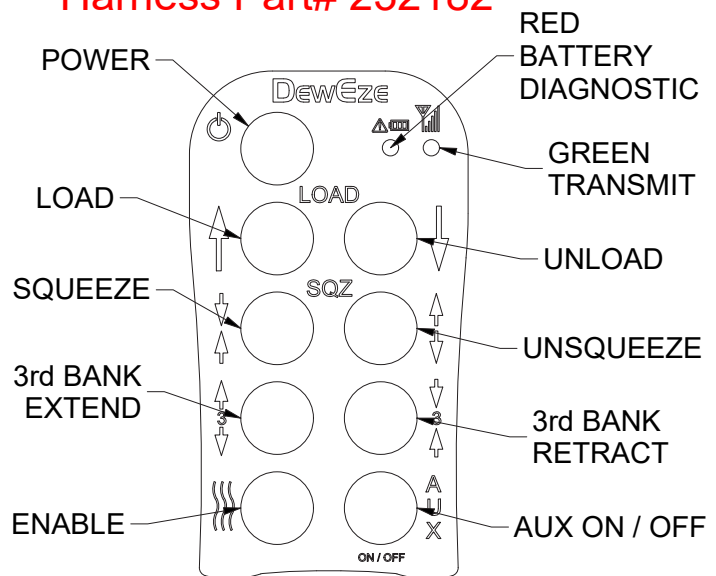


Decal Part# 202153

Harness Part# 232182

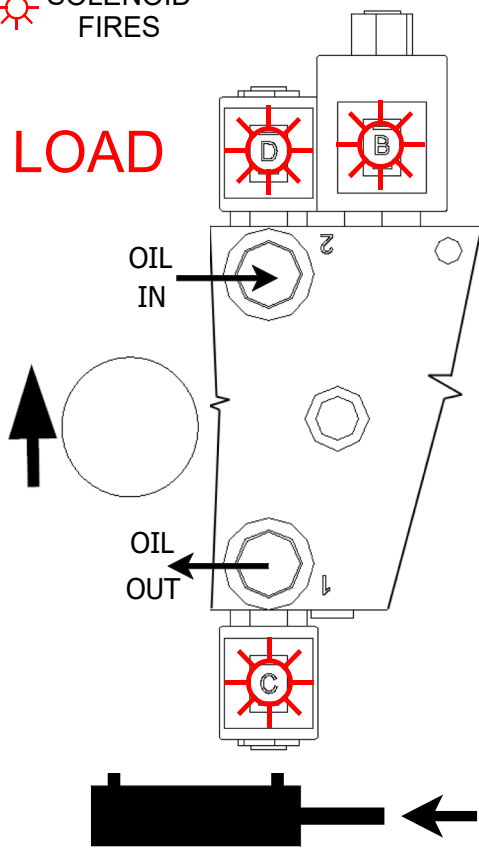
| DOUBLE POPPET VALVE | |
|---------------------|-------------|
| FUNCTION | COILS |
| LOAD | B, C & D |
| UNLOAD | B, C, D & A |
| SQUEEZE | B, E & F |
| UNSQUEEZE | B, E, F & A |

202052

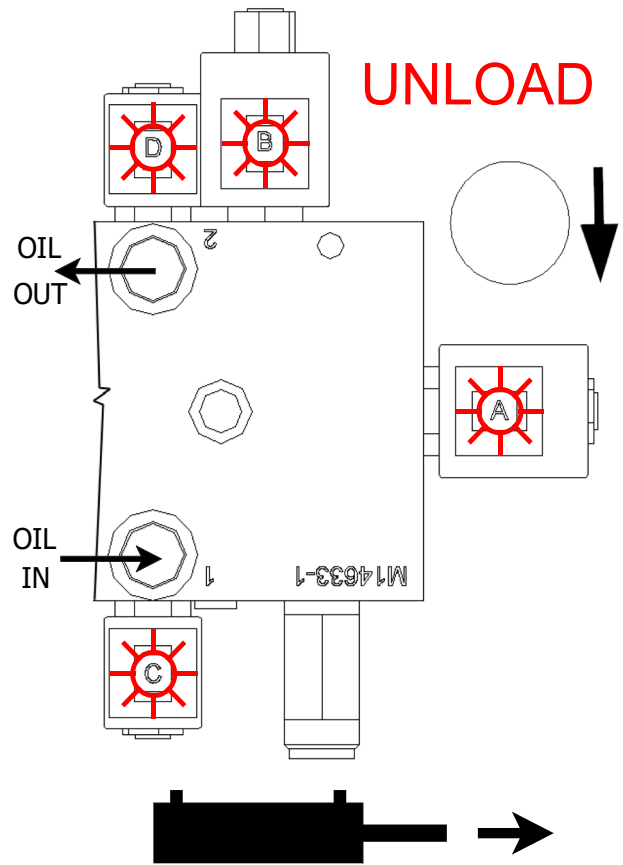


 SOLENOID FIRES

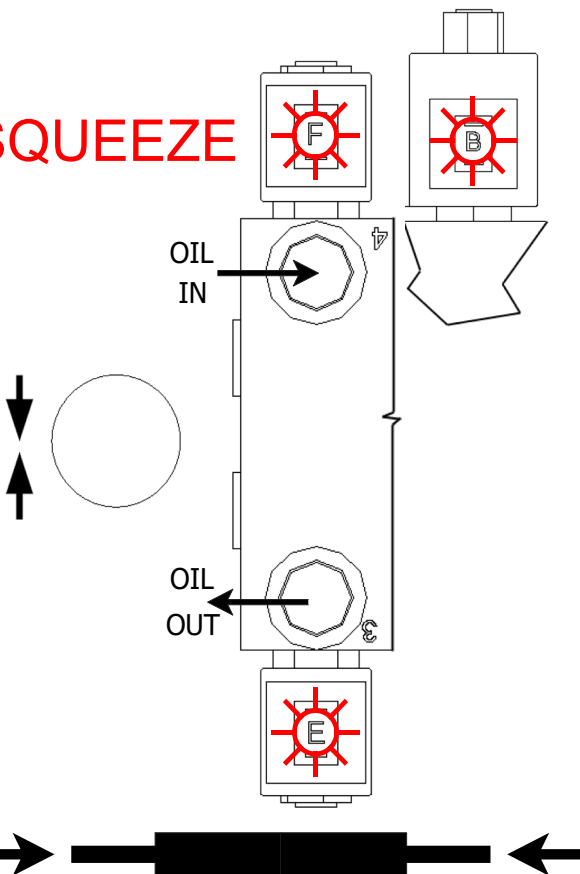
LOAD



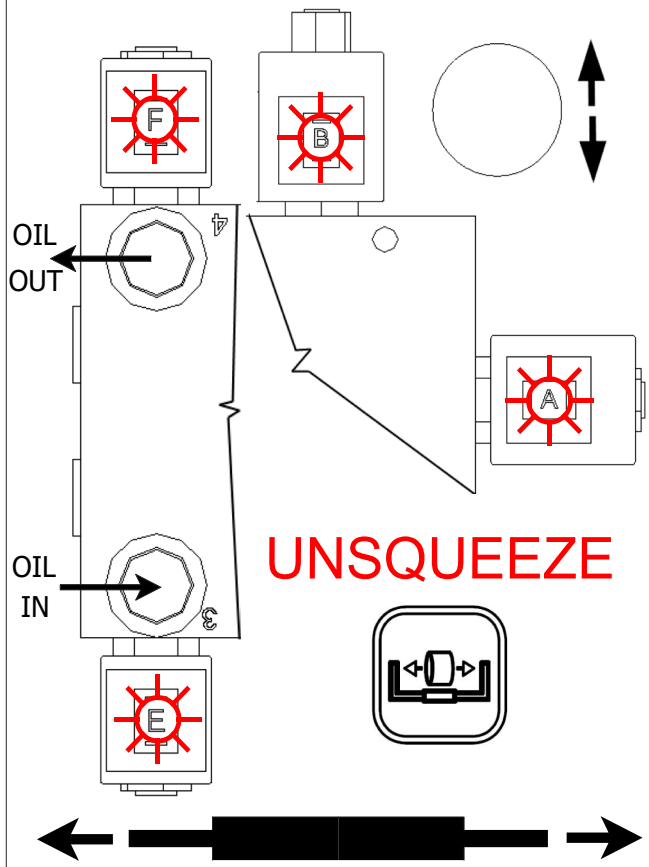
UNLOAD



SQUEEZE



UNSQUEEZE



NOTES

Harper Industries, Inc.
151 E. Highway 160
Harper, KS 67058

Telephone: 620-896-7381
Toll-Free: 800-835-1042
Fax: 620-896-7129

Website: www.harperindustries.com

E-mail: info@harperindustries.com