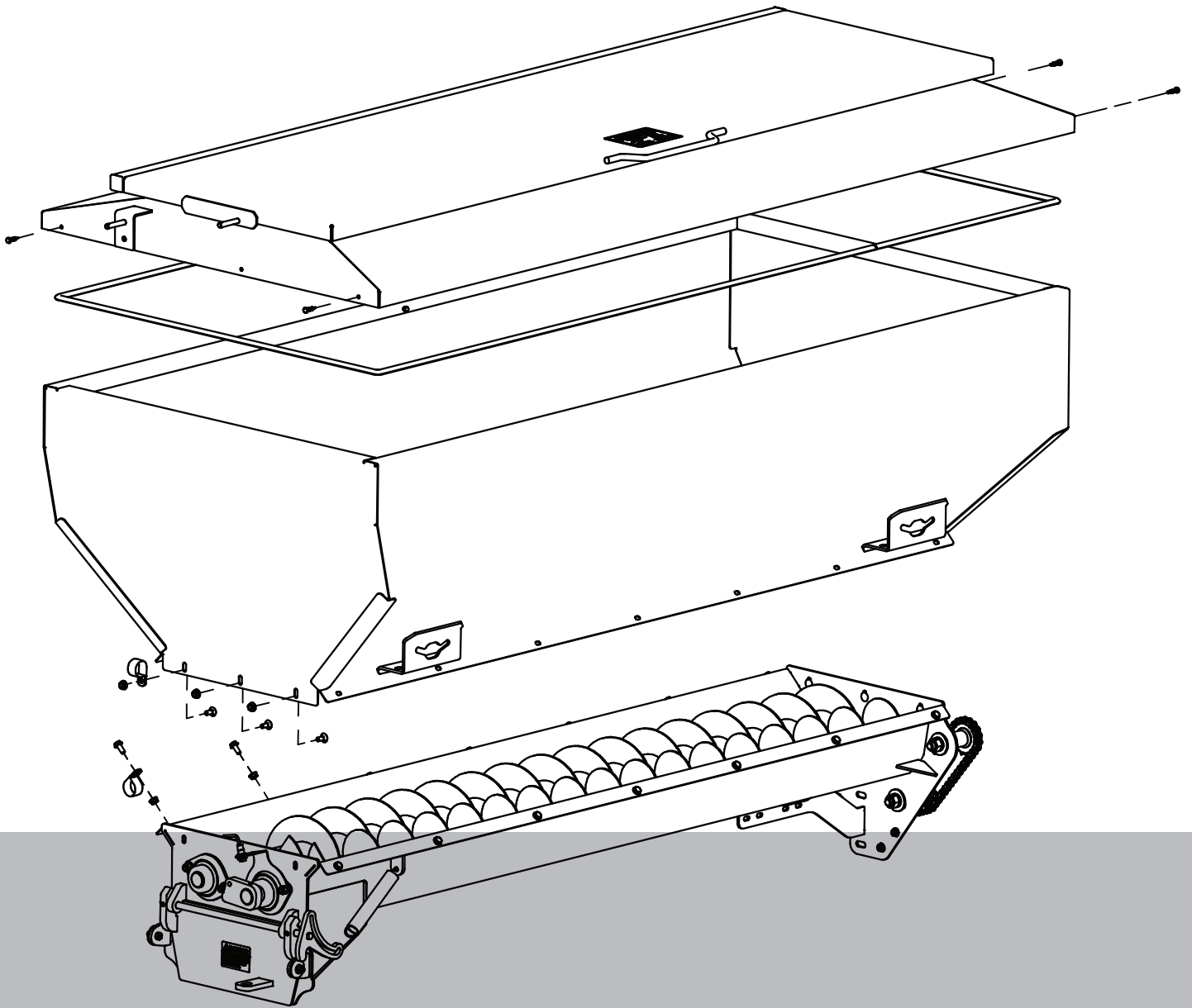


# BEEFCAKE

---



## OPERATOR'S & PARTS MANUAL



**Thank you for purchasing a Harper Beefcake.**

**TO THE OWNER OR OPERATOR:**

As with all Harper products, the Harper Beefcake has been developed through tough design and testing procedures to produce a machine that can be relied on. This manual gives assembly, operating, and service information for models **BC1000, BC1500, and BC2000**. Please read and understand all instructional material included with the Beefcake and its components before assembling and operating the equipment.

A Beefcake cake feeder can present hazards to an operator who follows unsafe procedures in either the operation or maintenance of the unit. Therefore, **SAFETY WARNINGS** are presented at certain locations in the text.

**SYMBOL:**



**SAFETY WARNING!**



**MEANING:** Failure to understand and obey this warning may result in injury to you or others. Whenever this symbol is used, please pay very close attention to the information presented, and make sure you fully understand. If you do not, contact your dealer or Harper Industries for clarification.



**SAFETY WARNING!**



**All shields and guards must be in place for proper and safe operation of this equipment. Where they are shown removed in this manual, it is for purposes of illustration and instruction only. Do not operate this equipment unless all shields and guards are in place.**

Harper Industries, Inc. is continually striving to improve the design and performance of its products. We reserve the right to make changes in specifications and design without thereby incurring any obligation relative to previously manufactured products.

© 2026 Harper Industries, Inc.

The Harper and Beefcake names are registered trademarks of Harper Industries, Inc. All other brand and product names are trademarks or registered trademarks of their respective companies.

## LIMITED WARRANTY

Harper Industries, Inc. (HII) warrants to each purchaser of a new Harper Beefcake from an authorized dealer or representative, that such equipment is free of manufacturer's defects in workmanship and materials which appear while in normal service for a period of ONE YEAR commencing with delivery to the original user.

The obligation of HII under this warranty is expressly limited, at our option, to replacement or repair at a service facility designated by Harper Industries or at the manufacturing plant in Harper, KS. A part will be replaced after inspection discloses it to have been defective. This warranty does not apply to defects caused by damage or unreasonable use (including failure to provide reasonable and necessary maintenance, or by performing functions without genuine Harper Beefcake accessories) while in the possession of the consumer.

Warranty is limited to parts, labor and ground freight delivery of replacement parts. HII shall not be liable for the consequential damages of any kind, including but not limited to consequential labor costs or transportation charges in connection with replacement or repair of defective parts.

This warranty does not apply to parts subjected to misuse, abuse, alteration, improper or inadequate maintenance, or normal wear (including chains, augers).

Harper Industries makes no warranty with respect to trade accessories. They are subject to the warranties of their respective manufacturers.

ANY IMPLIED OR STATUTORY WARRANTIES, INCLUDING ANY WARRANTY OR MERCHANTABILITY OR FITNESS FOR A PARTICULAR PURPOSE, ARE EXPRESSLY LIMITED TO THE DURATION OF THIS WRITTEN WARRANTY. HII makes no other express warranty, nor is anyone authorized to make any on behalf of HII.

For further information please contact your nearest Harper Beefcake dealer.

Date of Purchase \_\_\_\_\_ / \_\_\_\_\_ / \_\_\_\_\_

Dealer's Name \_\_\_\_\_

Dealer's Phone \_\_\_\_\_

Serial Number \_\_\_\_\_

# Table of Contents

## OPERATOR SECTION

To the Owner or Operator.....	1
Warranty Statement.....	2
Table of Contents.....	3
Specifications.....	4
Feature Identification.....	5
<b>General Safety Guidelines</b>	
Equipment and Controls.....	6
Guards and Shields.....	6
Replacement Parts.....	6
Safety Decals.....	6
Hydraulics.....	6
<b>Installation</b> .....	7
<b>Operating Instructions</b>	
Before Operating.....	8
Transporting.....	8
Operating	
Hydraulic BC.....	8
Electric BC.....	9
<b>Optional Door Operations</b>	
Method 1 - Door Lifting Mechanism.....	10
Method 2 - Kicker.....	10
<b>Optional Chute Operations</b>	
Method 1 - Manual Chute Operations.....	11
Method 2 - Actuator.....	11
<b>Electric Models</b> .....	12

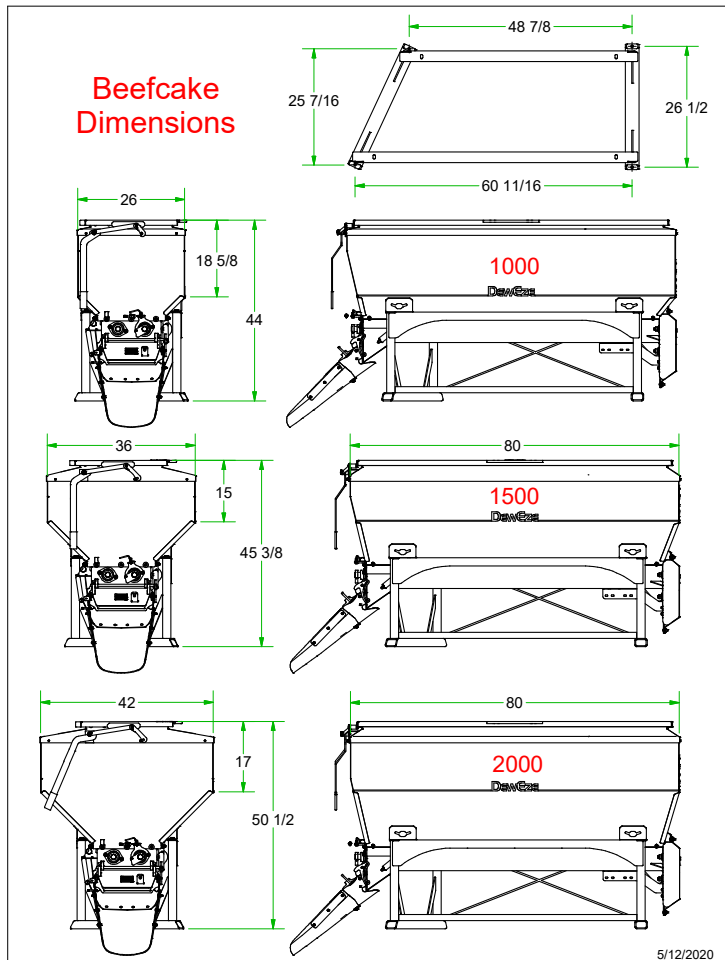
## PARTS SECTION

<b>Structure</b>	
Cake Feeder Assy (2017).....	16
Cake Feeder Stand (2017).....	17
Auger & Trough Assy (2021).....	18-19
Auger Orientation.....	20
Drive Chains Adjustment & Tension.....	21
Lid & Frame Assy.....	22
Lift Handle & Latch/Drive Shield (2017).....	23
Chute Extension Assy (2017).....	24
Cake Feeder Dummy Arms.....	25
Decals.....	26
<b>Hydraulic/Electric</b>	
Hydraulic Drive (2021).....	27
Electric Drive (2021).....	28
Electric Drive (2017).....	29
Hand Control (2017).....	30
Hand Control (2020).....	31
Electrical Harnesses.....	32
Electrical Schematic.....	33
<b>Optional</b>	
Door Operation Options (Kicker).....	34
Electric Actuator.....	35
Light Bar Option (800/900 Beds).....	36
Light Bar (Non-800/900 Beds).....	37

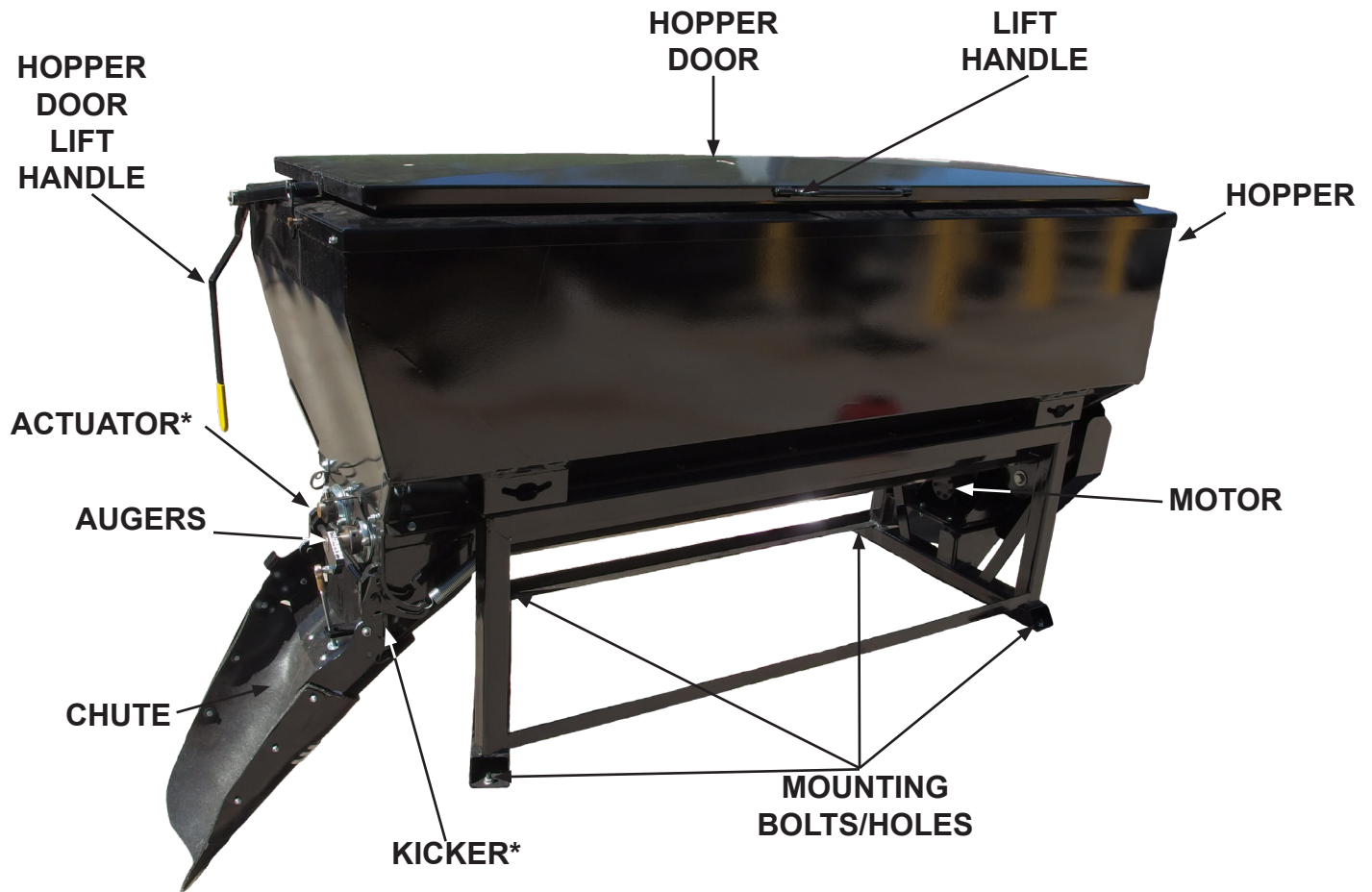
# Specifications

<b>Power</b>	Hydraulic Electric Motor - Leeson 3/4 hp
<b>Capacity</b>	BC1000 - 26 cu. ft. - about 1000 lbs. w/ 3/4" range cubes BC1500 - 34 cu. ft. - about 1500 lbs. w/ " " " BC2000 - 46 cu. ft. - about 2000 lbs. w/ " " "
<b>Dimensions</b>	BC1000 - Length: 80 in Width: 26 in Height: 44 in BC1500 - Length: 80 in Width: 36 in Height: 45.3 in BC2000 - Length: 80 in Width: 42 in Height: 50.3 in
<b>Paint</b>	Durable 2-part Polyurethane
<b>Augers</b>	Two 6 inch diameter augers Left - 76 3/4 in long Right - 78 in long
<b>Options</b>	- Electronic Actuator for chute - Kicker for chute door

**NOTE:** Following publication of this manual, certain changes in standard equipment and options may have occurred which would not be included in these pages. Your Harper dealer is the best source for up-to-date information.



## Feature Identification



**Hopper Door Lift Handle** - used to open the hopper from the ground.

**Actuator\*** - raises and lowers the chute.

**Augers** - when rotating, push the feed out of the hopper and down chute.

**Chute** - made of rubber and can be raised for transport or lowered for distribution of feed.

**Kicker\*** - when attached it allows the door for the feed to be held in an open position.

**Mounting Holes/Bolts** - for mounting the Beefcake to the flatbed.

**Motor** - is a Leeson 3/4 hp used to power the dual augers.

**Hopper** - has three options of capacity: 1000, 1500, or 2000 lb limits based on choice of **BC**.

**Hopper Door** - has a weather proof strip on the inside edge of door to keep moisture out.

**Lift Handle** - used to open hopper when on the bale bed.

\* denotes optional attachments of the **Beefcake**.

# General Safety Guidelines

## Equipment & Controls

- Before operating this equipment, read and understand the Operator's Manual.
- Altering the unit in any way that adversely affects its safe operation, performance or durability will void the warranty and may cause hazardous conditions.
- Know the location and function of all controls and how to stop the equipment quickly in an emergency before you operate the unit.
- Keep all bolts, screws and fittings tight to ensure safe operation of equipment.

## Guards & Shields

- Keep all safety devices in place and in good operating condition.
- Replace all worn, damaged, unusable, missing or lost safety shields and guards before operating unit.

## Replacement Parts

- Use genuine factory parts or parts with equivalent characteristics including: type, strength and material.
- Replace locknuts and locking screws if they cannot be tightened without considerable resistance for several turns before they are completely tight.
- If hardware is not secure, or if fasteners are over-tightened, equipment failure may result posing possible safety hazards.
- Use proper torque specifications for all fasteners when they are replaced.



Failure to use genuine factory parts may result in voiding of the warranty, product malfunction or possible injury.



## Safety Decals

- If safety related or instructional decals become illegible or are removed, replace them immediately.
- If parts are replaced, make sure all safety related or instructional decals are present before the equipment is operated again.
- New decals may be obtained from your local Harper Dealer.

## Hydraulics

### To prevent serious injury or death:

- Relieve pressure on system before repairing, adjusting or disconnecting any hydraulic hose or fitting.
- Wear proper hand and eye protection when searching for leaks.
- Use wood or cardboard instead of hands when looking for leaks.
- Keep all hoses, fittings and components in good operating condition.
- Do not use any type of heat or flame (welding, soldering, cutting torch, etc.) near pressurized hydraulic lines.

 **SAFETY WARNING!**   
**HIGH-PRESSURE FLUID HAZARD!**  
Escaping fluid under pressure can penetrate skin causing serious injury or death.

# Installation

You can use select Deweze Balebeds to lift your new **Beefcake** on to the bed or one of many other options as long as safety, precaution and common sense are used.



## SAFETY WARNING!

Keep any objects or body extremities from beneath the Beefcake when loading and do not stand under the feeder when it is raised.

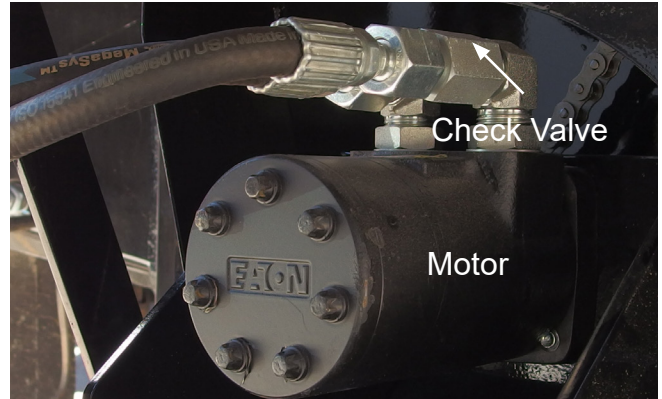
Next, position the Beefcake into place so that you can mark on the flatbed floor the location of the mounting holes for attaching the **Beefcake**. Align the mounting holes with stringers of the flatbed, and mark the (4) mounting holes for drilling, rotate the Beefcake to the back of your flatbed, and drill the (4) mounting holes.



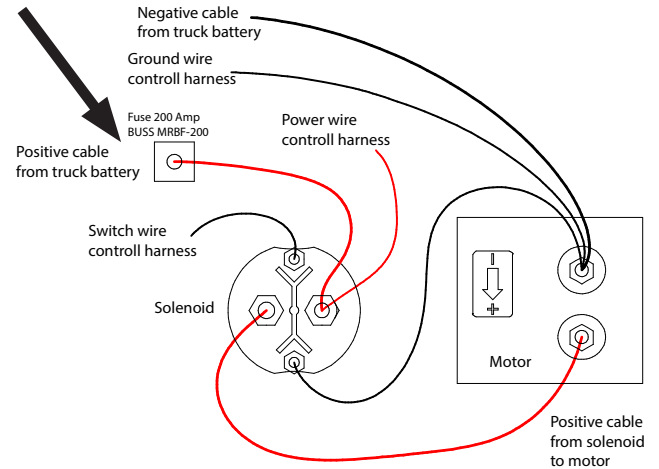
Put the Beefcake back in place where you marked and drilled the mounting holes. Attach with either the (4) mounting bolts included in your purchase or your own preferred size of mounting bolt that can fit into the predrilled mounting points on the Beefcake.

The final step depends on whether you have purchased the hydraulic or electric motor version of the Beefcake.

For the hydraulic, connect the hydraulic hoses that are attached to the Beefcake to your bed's hydraulic hookups located on the right side of the headache rack. There is a check valve pre-installed on your Beefcake. If by chance the augers do not run when activated, switch the hoses on the bed location. This will allow it to run correctly. There is also an electrical harness that will need positive and negative leads run from the feeder to the battery under the hood of the truck.

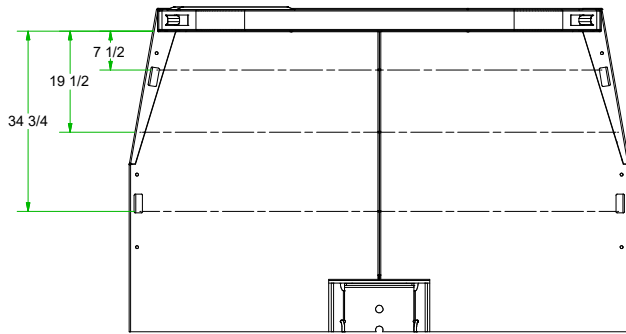


For the electric, attach the positive cable to the solenoid as depicted below, and run it to the positive end of the battery on the truck, and be sure to put the 200 Amp fuse on with the cable (this will protect the motor).

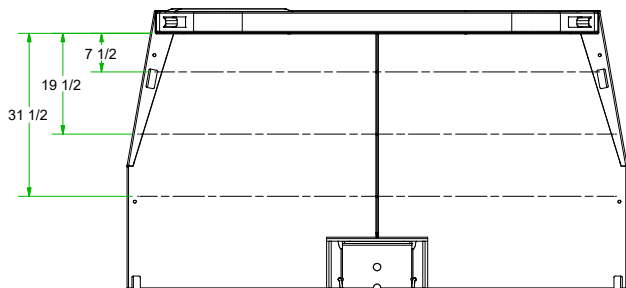


Also, If you prefer to operate either of the version (hydraulic or electric) from inside your truck, run the Beefcake controller to the inside of your truck.

## DewEze Flatbed Stringer Locations



684 & 784



676 & 776  
688 & 788

## Operating Instructions

### Before Operating

- Inspect inside the hopper and around the chain drive for the augers for any foreign objects. If any are found remove it/them.
- Be sure to check that all shields are in place and that all bolts or fasteners are tightened.

### Transporting

- When transporting the Beefcake, be sure that the hopper lid's lift handle has the safety latch in place so that the lid does not rise during transport due to wind.



### Operating

#### Hydraulic Powered Beefcake

- Fill Beefcake with desired amount of feed or grain product.
- Lower the rubber chute to feeding position.
- Activate the hydraulic motor with the balebed's remote.

Due to the check valve on this product, if it becomes clogged or stalls, it cannot be reversed to dislodge it. You must stop the feeder, shut off the units power, and disconnect the hydraulic hoses to relieve any pressure on the system before seeing to the problem.



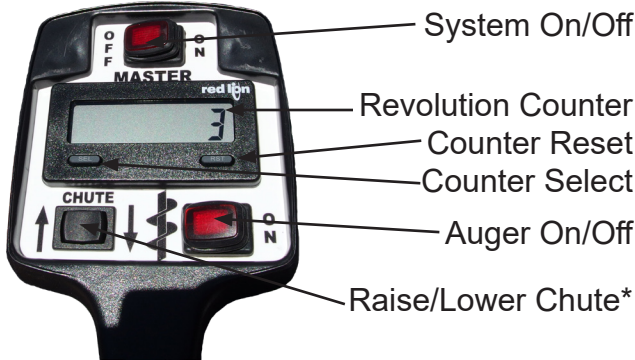
### **SAFETY WARNING!**

**Do not put hands into a plugged auger when there is pressure on the system. It can result in harm.**

- Do not use the hopper for long term storage of feed. It could create a corrosive environment and cause unwarranted wear on your machine.

## Electric Powered Beefcake

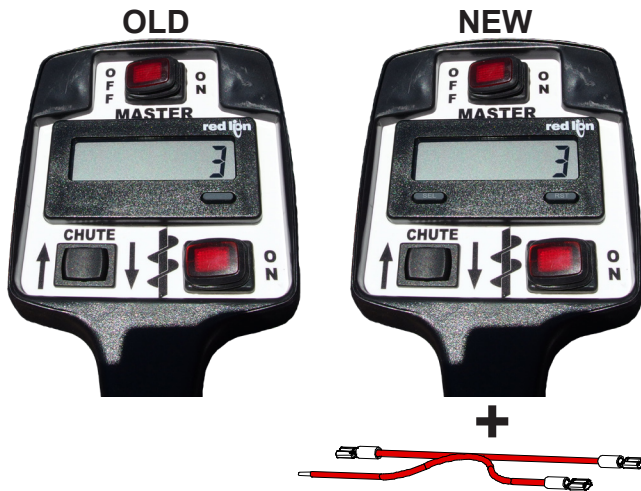
- Fill Beefcake with desired amount of feed or grain product.
- Lower the rubber chute to feeding position.
- Activate the electric motor with the Beefcake's remote.



\*Only available with the chute actuator option otherwise this switch serves no purpose.

## For Your Information

The controller for the Beefcake is used in both the hydraulic and electric version of the feeder. Currently, the only difference is that the auger is activated differently between the two options. The electric uses the auger on/off switch on the Beefcake remote, and the hydraulic uses the flatbeds hydraulic function to activate the auger. Aside from the auger, everything else on the Beefcake remote is universal.



**NOTE:** Old ONE BUTTON counters had a soldered battery and are obsolete. New counters have TWO BUTTONS and require a jumper wire to add constant power: **page 31**

## Red Lion Cub5B Counter Factory Reset

### RESET:

Press RST and hold for 3 seconds & release.  
Press SEL 1 time.

### REPROGRAM:

Power off hand control then turn back on.  
Hold SEL for 3 seconds.

>>>> Screen will display "Pro No"

Press RST 3 times.

>>>> Screen will display "3-dsplay"

Press SEL 8 times.

>>>> Screen will display "Fact Set", "No"

Press RST 1 time.

>>>> Screen will display "Yes"

Press SEL 1 time.

>>>> Screen will display "Pro No"

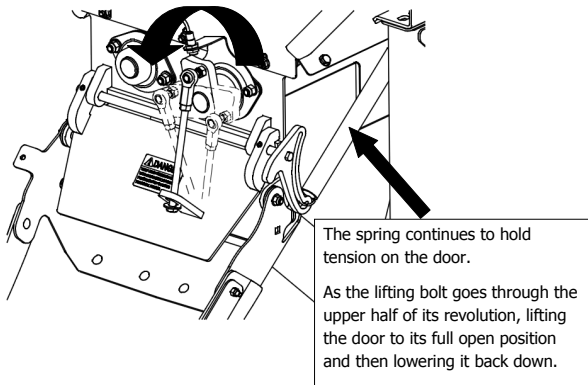
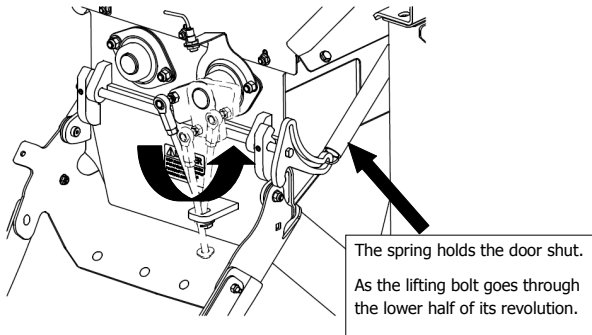
Press SEL 1 time.

Done

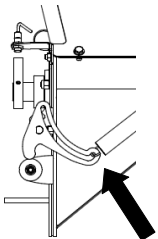
**NOTE:** Error code EE means an error occurred between the counter and the sensor. Ensure all wires are tightend and free of corrosion. Also look for nicks that could cause intermittent ground faults.

# Optional Door Operations

## Method #1 Door Lifting Mechanism and Operation

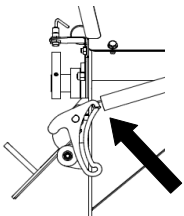


When it is in the closed position, it will create piles while operating. Whereas if it is in the open position, it will create a row while operating.



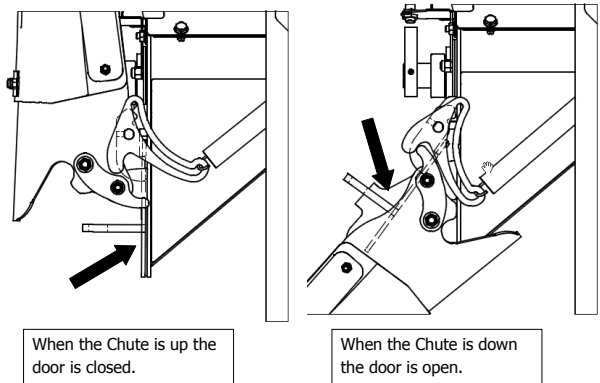
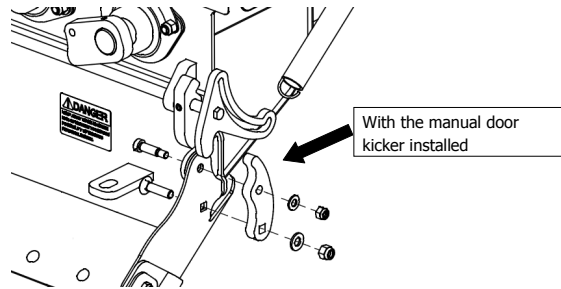
Changing the position of this spring holds the door **OPEN** or **CLOSED**

This is located on the right side of the chute as depicted by the image.



Reference **Page 34** for optional door lift parts

## Method #2 Kicker



The kicker is a great option for when you will always be making rows rather than piles with your feed.

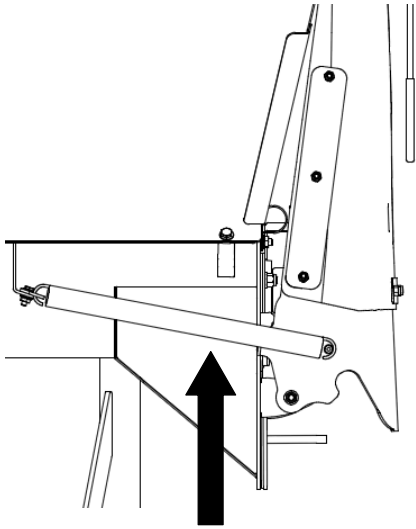
**NOTE: USE ONLY ONE METHOD.**



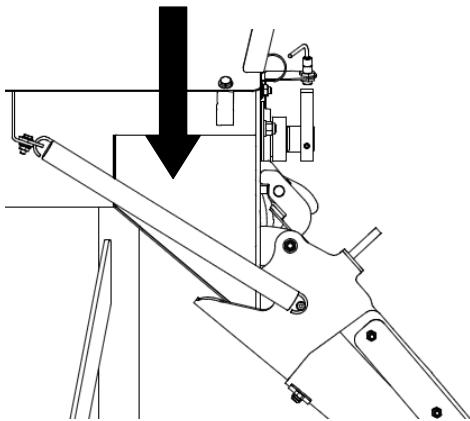
**CAUTION!** Using both optional methods at the same time will cause either the chain or actuator to fail. *The unit will come from the factory with Method #2 pre-installed.*

# Optional Chute Operations

## Method #1 Standard



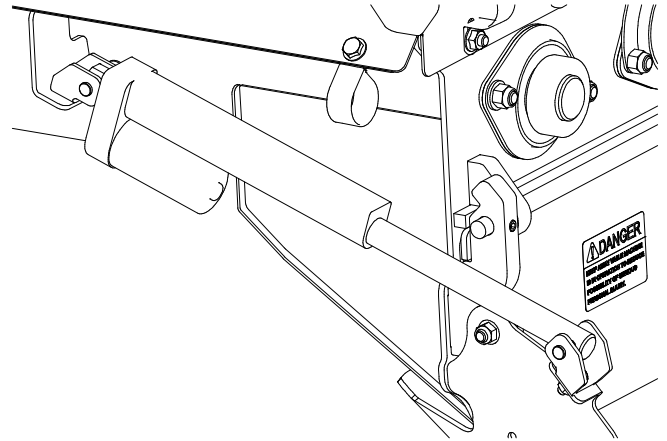
This spring holds the Chute either **UP** or **DOWN**



This is located on the left side of the chute as depicted by the image.

This is used for transportation so that the chute is not damaged in any way due to protruding from the side of the truck.

## Method #2 Actuator



The actuator replaces the spring that holds the chute either an up or down position. It allows the operator to manage the chute from the comfort of the seat or whatever their location is. See page 7 for details on the switch for the actuator.

## DewEze Electric Beefcake

### Electrical Minimum Requirements

#### Cable Requirements

All Electric Beefcake models are supplied with 18FT 2GA welding cable leads for hook-up to truck battery — This is maximum length for this cable

If a longer length is desired refer to chart below for minimum cable size

18FT	25FT	30FT	35FT	40FT
Supplied	"0" Gauge	"00" Gauge	"00" Gauge	"000" Gauge

Cables of new length must be built from single cables without splices or connections — Cable ends must be properly crimped or soldered

#### Electrical Supply Requirements

Beefcake electric feeders require a stable power source:

- Batteries must be in good condition and should be fully charged (12.7V standing)
- Truck Charging System must operational (14V+ if engine running)
- All electrical connections must be good (checked with voltmeter, not visually)

**Batteries at 12.1 Volts are not fully charged they are actually 50% discharged**

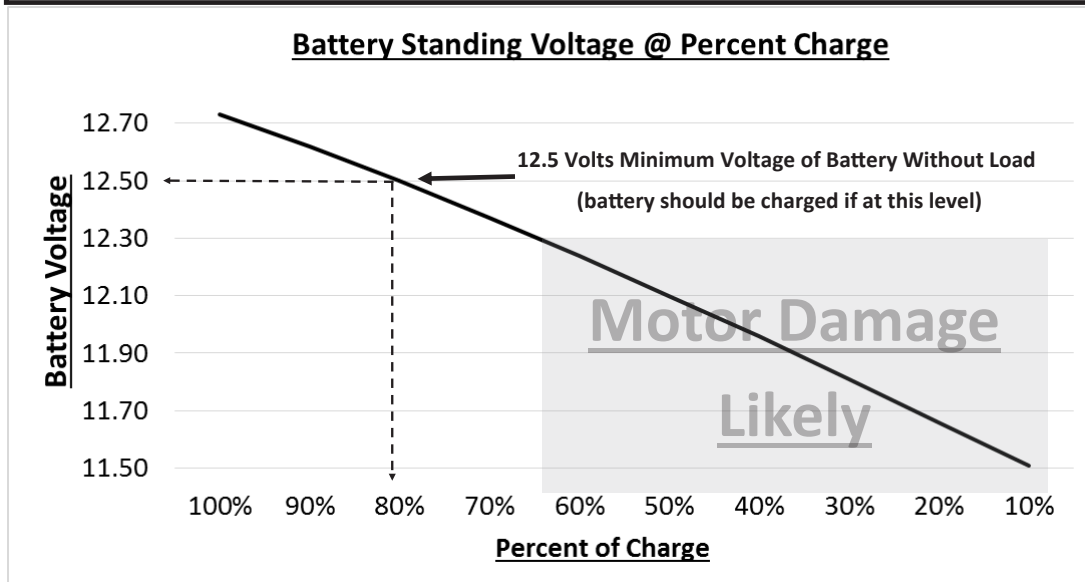


Chart Shows the unloaded voltage of a good battery at a particular charge level this is for reference only — actual battery charge and capacity should be determined by load testing of the battery

2/12/19

# PARTS



# Table of Contents

## PARTS SECTION

### Structure

Cake Feeder Assy (2017).....	16
Cake Feeder Stand (2017).....	17
Auger & Trough Assy (2021).....	18-19
Auger Orientation.....	20
Drive Chains Adjustment & Tension.....	21
Lid & Frame Assy.....	22
Lift Handle & Latch/Drive Shield (2017).....	23
Chute Extension Assy (2017).....	24
Cake Feeder Dummy Arms.....	25
Decals.....	26

### Hydraulic/Electric

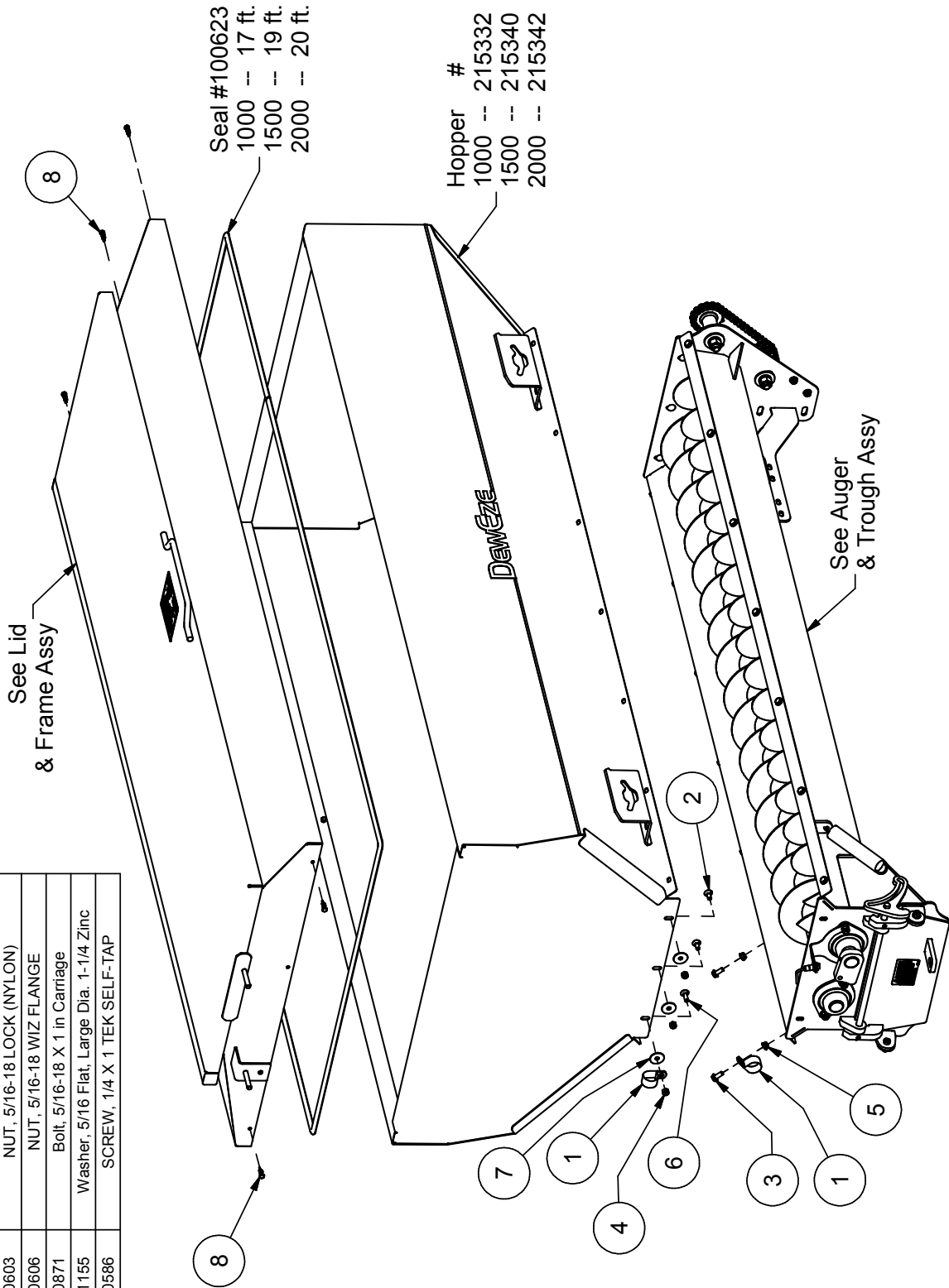
Hydraulic Drive (2021).....	27
Electric Drive (2021).....	28
Electric Drive (2017).....	29
Hand Control & Harness (2017).....	30-31
Hand Control & Harness (2020).....	32-33
Electrical Schematic.....	34

### Optional

Door Operation Options (Kicker).....	35
Electric Actuator.....	36
Light Bar Option.....	37

# Cake Feeder Assembly 2017

Parts List		
ITEM	QTY	PART # DESCRIPTION
1	6	102074 Clamp, Adel .75w x 1.25id x .406 Hole
2	5	110020 Bolt, 5/16-18 X 0.75 in Carriage
3	14	110444 BOLT, 5/16-18 X 0.75, WIZ FLANGE
4	6	110603 NUT, 5/16-18 LOCK (NYLON)
5	14	110606 NUT, 5/16-18 WIZ FLANGE
6	1	110871 Bolt, 5/16-18 X 1 in Carriage
7	6	111155 Washer, 5/16 Flat, Large Dia. 1-1/4 Zinc
8	7	710586 SCREW, 1/4 X 1 TEK SELF-TAP

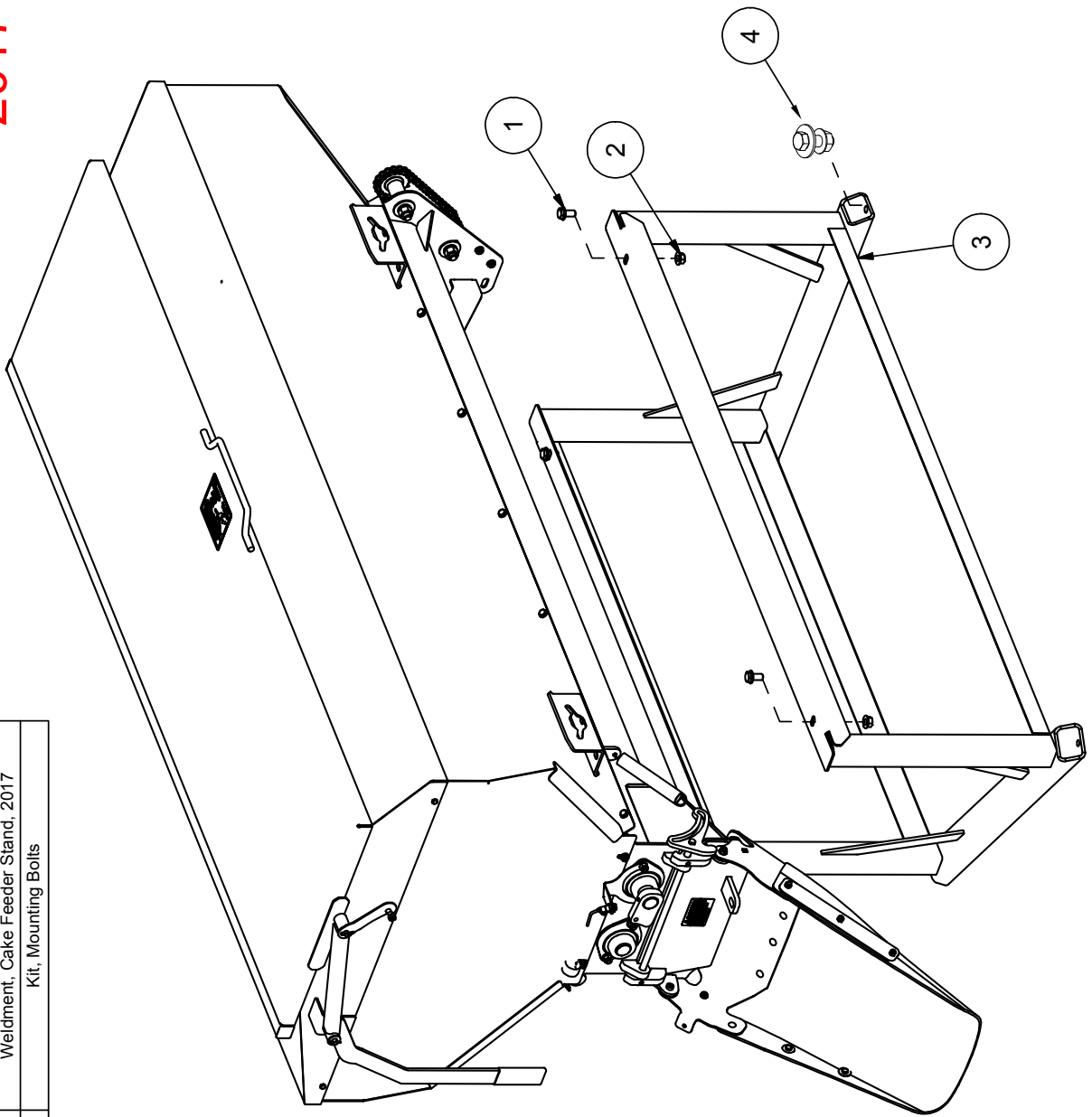


8/17/2017

# Cake Feeder Stand 2017

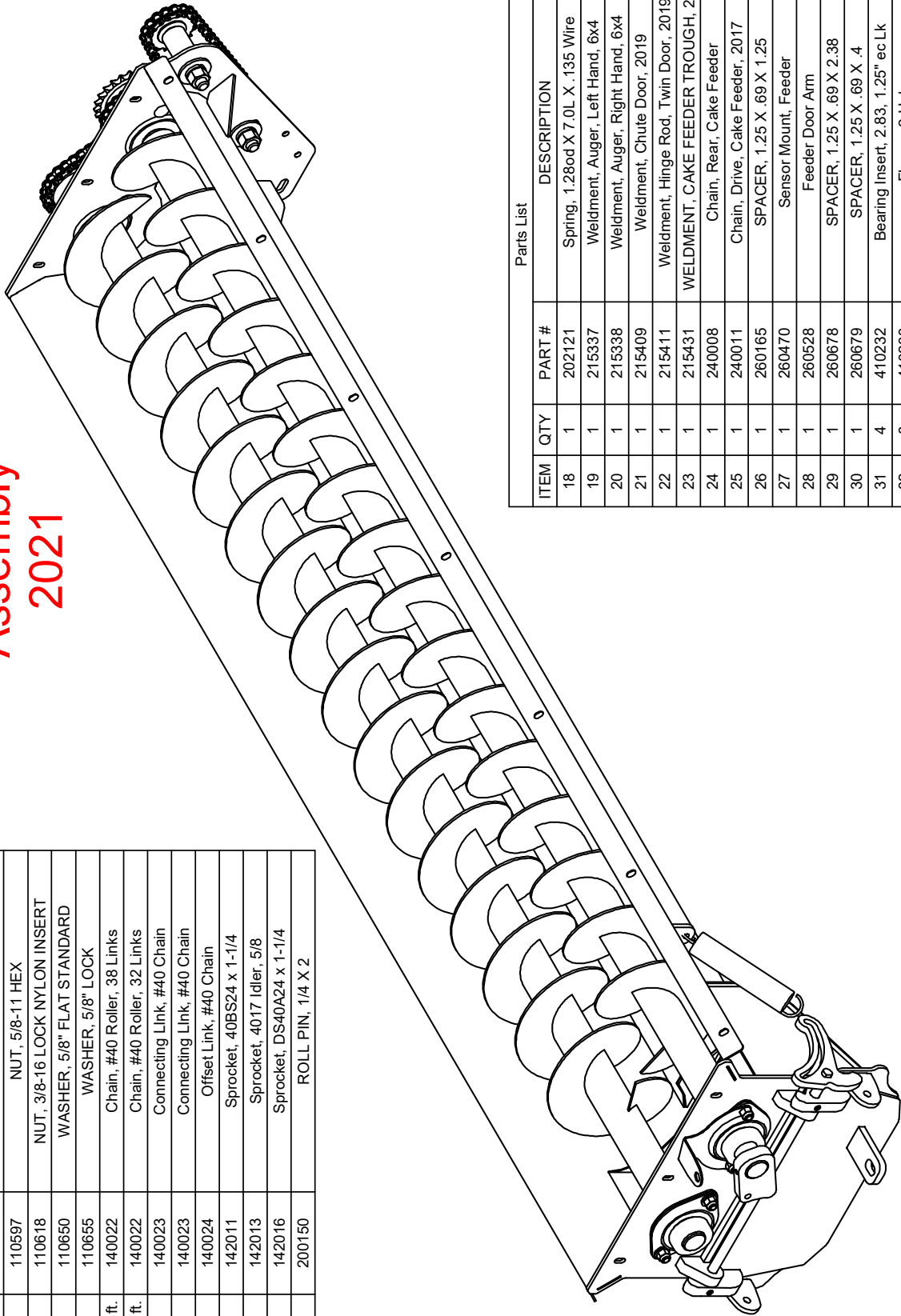
Parts List

ITEM	QTY	PART #	DESCRIPTION
1	4	110220	BOLT, 1/2-13 X 1, WIZ FLANGE
2	4	110588	NUT, 1/2-13 WIZ FLANGE
3	1	215376	Weldment, Cake Feeder Stand, 2017
4	4	205136	Kit, Mounting Bolts



Parts List		
ITEM	QTY	DESCRIPTION
1	3 ft	Lid Seal, .50 x .187 x 36
2	6	WASHER, 3/8" FLAT SAE
3	8	Bolt, 3/8-16 X 1 in Carriage
4	2	BOLT, 5/8-11 X 4.5
5	2	NUT, 5/8-11 HEX
6	8	NUT, 3/8-16 LOCK NYLON INSERT
7	2	WASHER, 5/8" FLAT STANDARD
8	2	WASHER, 5/8" LOCK
9	3.2 ft.	Chain, #40 Roller, 38 Links
10	2.7 ft.	Chain, #40 Roller, 32 Links
11	1	Connecting Link, #40 Chain
12	1	Connecting Link, #40 Chain
13	1	Offset Link, #40 Chain
14	1	Sprocket, 40BS24 x 1-1/4
15	3	Sprocket, 4017 Idler, 5/8
16	1	Sprocket, DS40A24 x 1-1/4
17	1	ROLL PIN, 1/4 X 2

# Auger & Trough Assembly 2021

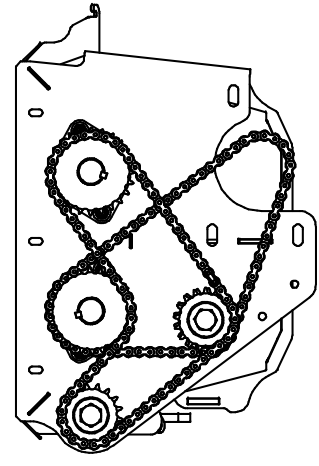
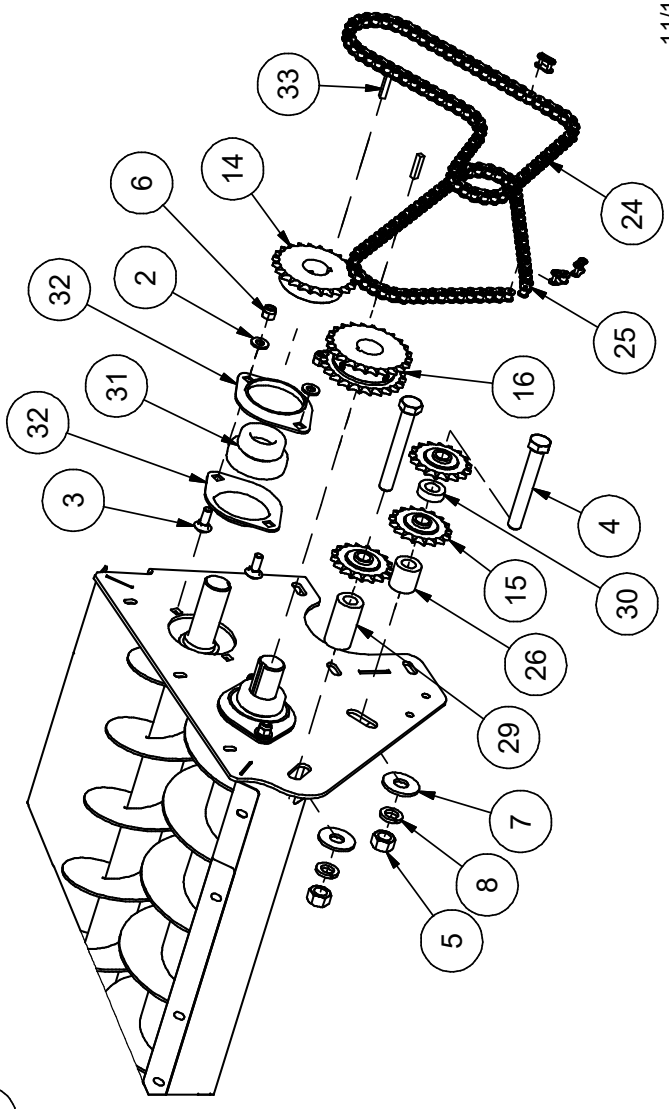
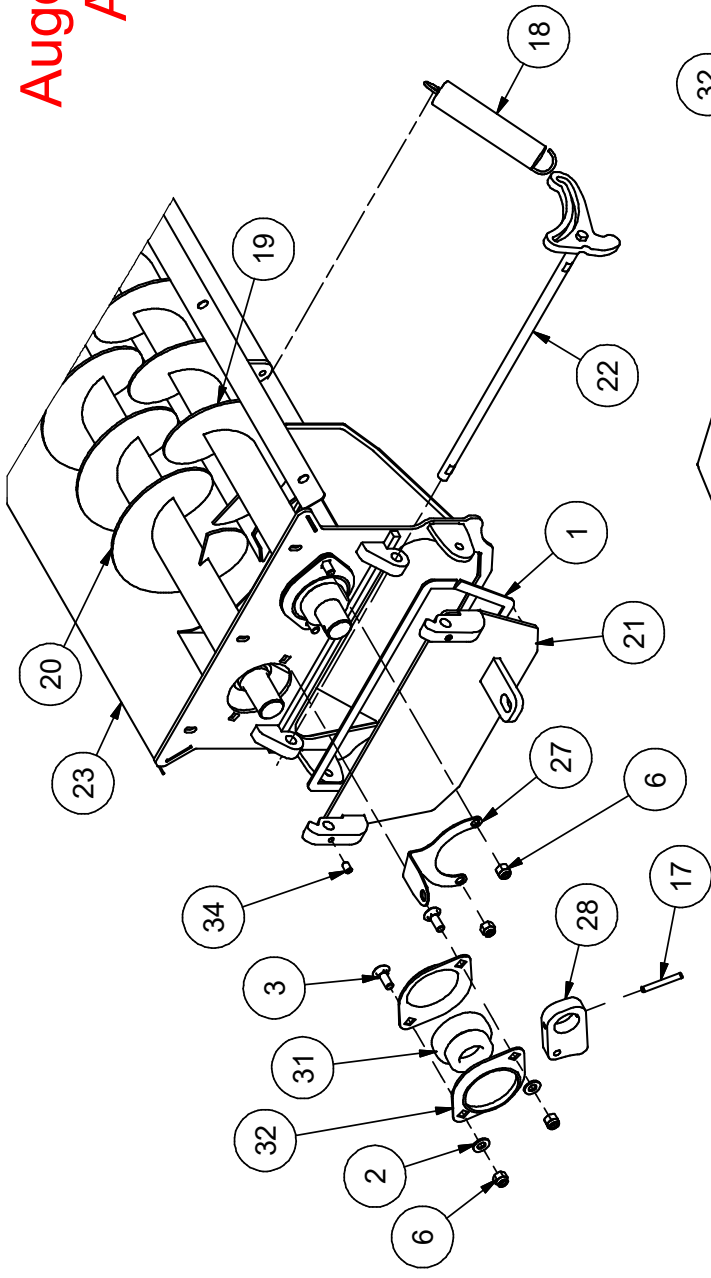


Parts List		
ITEM	QTY	DESCRIPTION
18	1	Spring, 1.280d X 7.0L X .135 Wire
19	1	Weldment, Auger, Left Hand, 6x4
20	1	Weldment, Auger, Right Hand, 6x4
21	1	Weldment, Chute Door, 2019
22	1	Weldment, Hinge Rod, Twin Door, 2019
23	1	WELDMENT, CAKE FEEDER TROUGH, 2021
24	1	Chain, Rear, Cake Feeder
25	1	Chain, Drive, Cake Feeder, 2017
26	1	SPACER, 1.25 X .69 X 1.25
27	1	Sensor Mount, Feeder
28	1	Feeder Door Arm
29	1	SPACER, 1.25 X .69 X 2.38
30	1	SPACER, 1.25 X .69 X .4
31	4	Bearing Insert, 2.83, 1.25" ec Lk
32	8	Flange, 2 Hole
33	2	Key, 1/4 X 1/4 X 1.25, Under
34	2	SetScrew, 5/16-18 X 0.5

11/18/2021

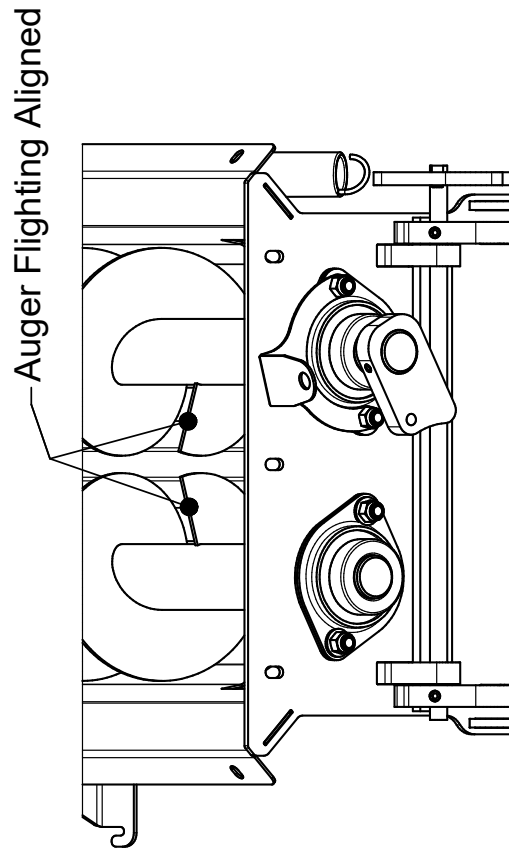
# Auger & Trough Assembly 2021

11/18/2021

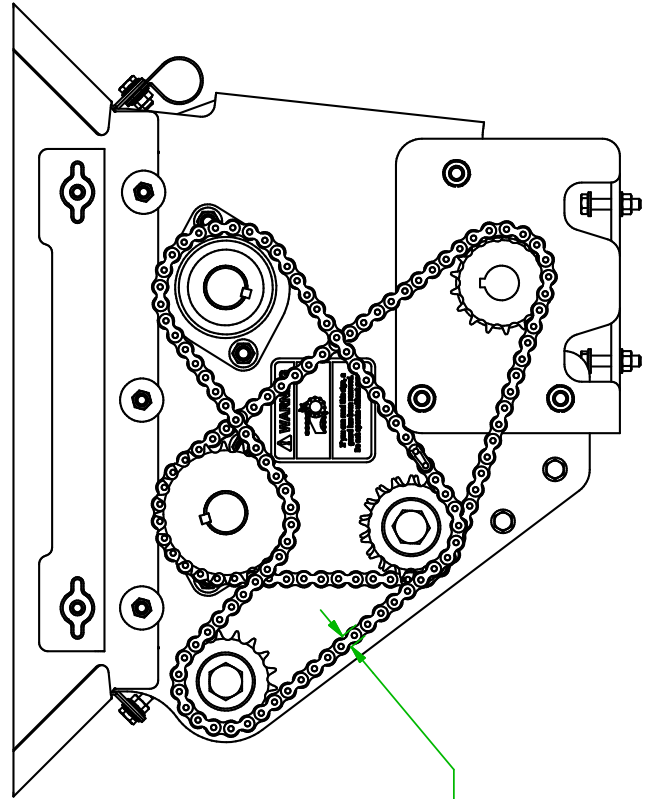
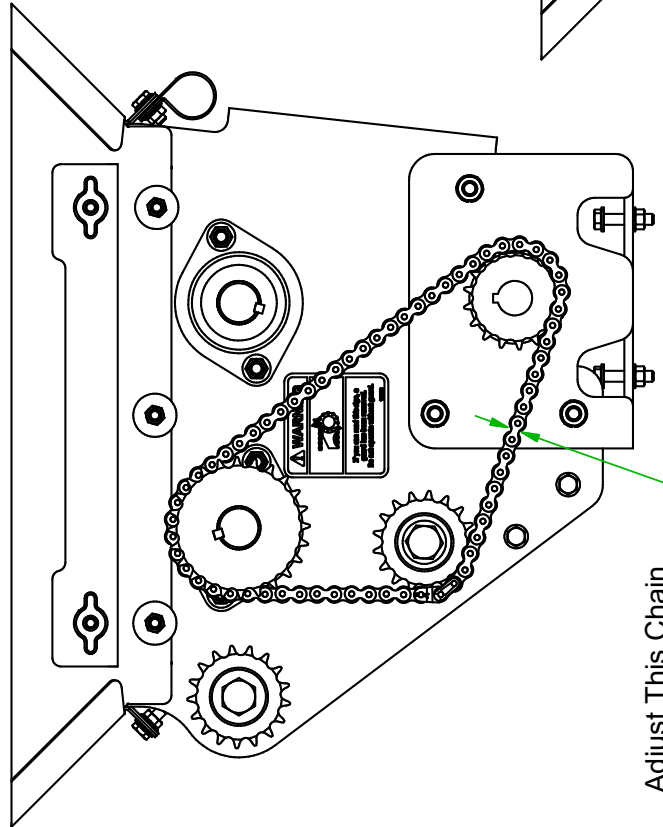
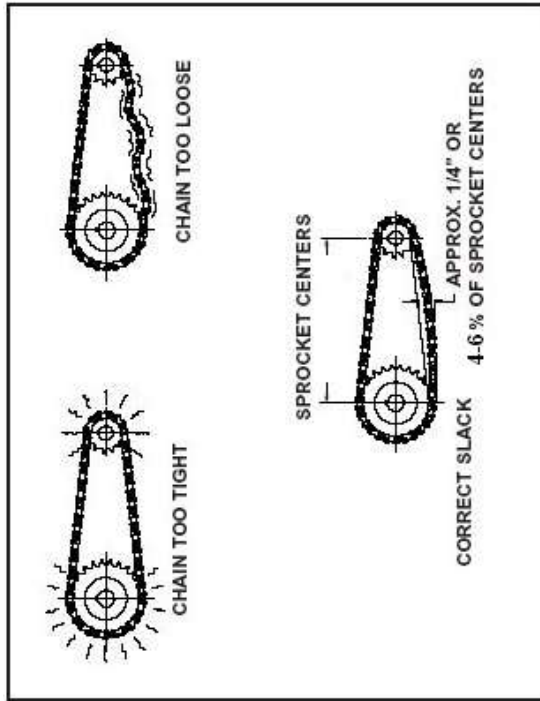


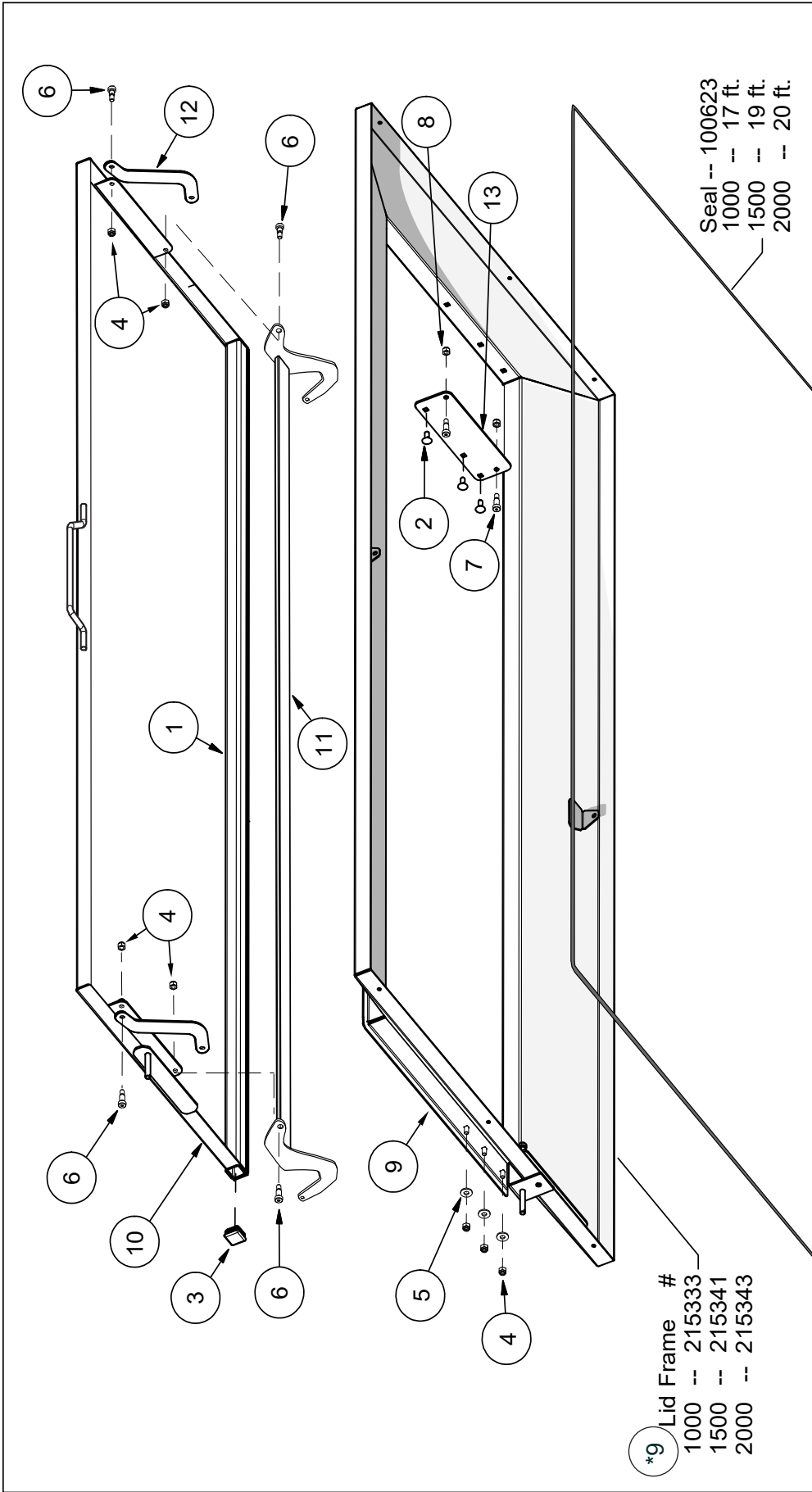
Chain Routing

# Auger Orientation Beefcake Feeder



# Drive Chains Adjustment & Tension





ITEM	QTY	PART #	DESCRIPTION
1	16ft	100613	Lid Seal, .50 X .187 X 192
2	6	110020	Bolt, 5/16-18 X 0.75 In Carriage
3	2	110313	1-1/4 Sq Plug
4	10	110600	Nut, 5/16-18, Hex Lock 2 Way
5	6	110665	Washer, 5/16" Flat Standard
6	4	111279	Bolt, 3/8 X 3/8 Shoulder Shcs, Zinc
7	4	111280	Bolt, 1/2 X 5/8 Shoulder Shcs, Zinc
8	4	111281	Nut, 3/8-16 Center Lock, Gr 2, Zinc
9	1	See *	Weldment, Lid Frame
10	1	215334	Weldment, Feeder Lid
11	1	215475	Weldment, Lid Hinge W/ Updated Holes
12	2	260947	Lid Hinge W/ Updated Holes, Short
13	2	260948	Lid Hinge W/ Updated Holes, Side Mount

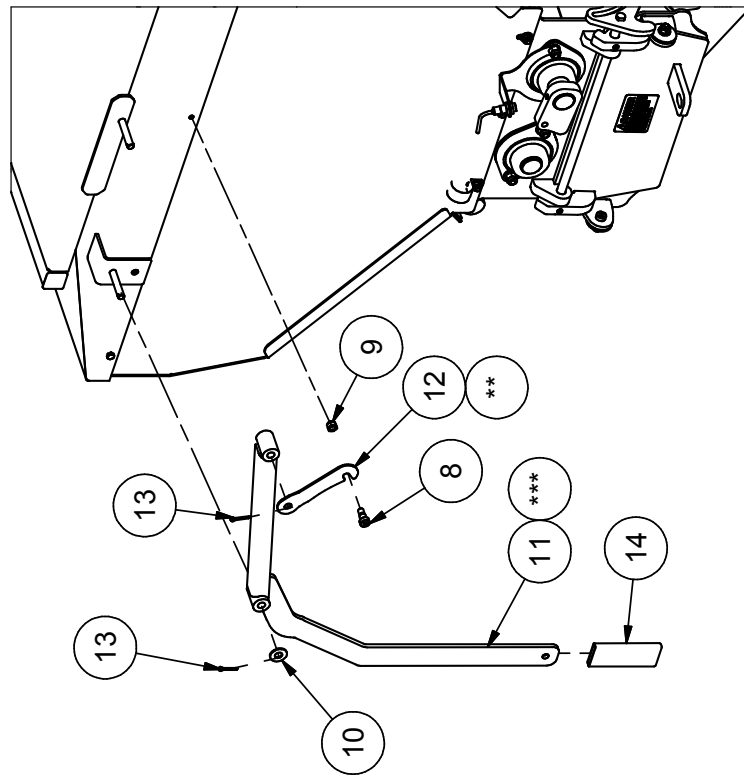


## Lid & Frame Assembly

View looking up from underneath

NOTE: #6 & #7 Shoulder Bolts are Different Lengths

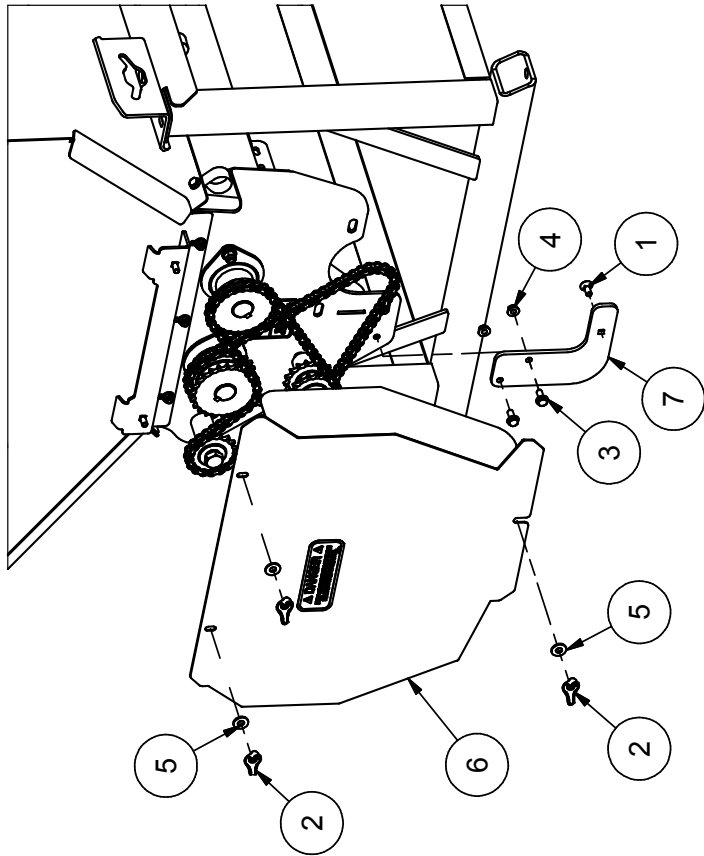
# Lift Handle & Latch



Parts List

ITEM	QTY	PART #	DESCRIPTION
8	1	110439	BOLT, 3/8 X 3/8 SHOULDER SHCS
9	1	110603	NUT, 5/16-18 LOCK (NYLON)
10	1	110676	WASHER, 3/8" FLAT STANDARD
11	1	215318	Weldment, Lid Lift Bar, External, 1000 & 1500
***	1	215346	Weldment, Lid Lift Bar, External, 2000
12	1	260549	Lid Latch, 1500 & 2000
**	1	260529	Lid Latch, 1000
13	2	510249	COTTER PIN, 1/8 X 0.75
14	1	910044	COVER, VINYL .25 X 1.5 X 4 GRIP

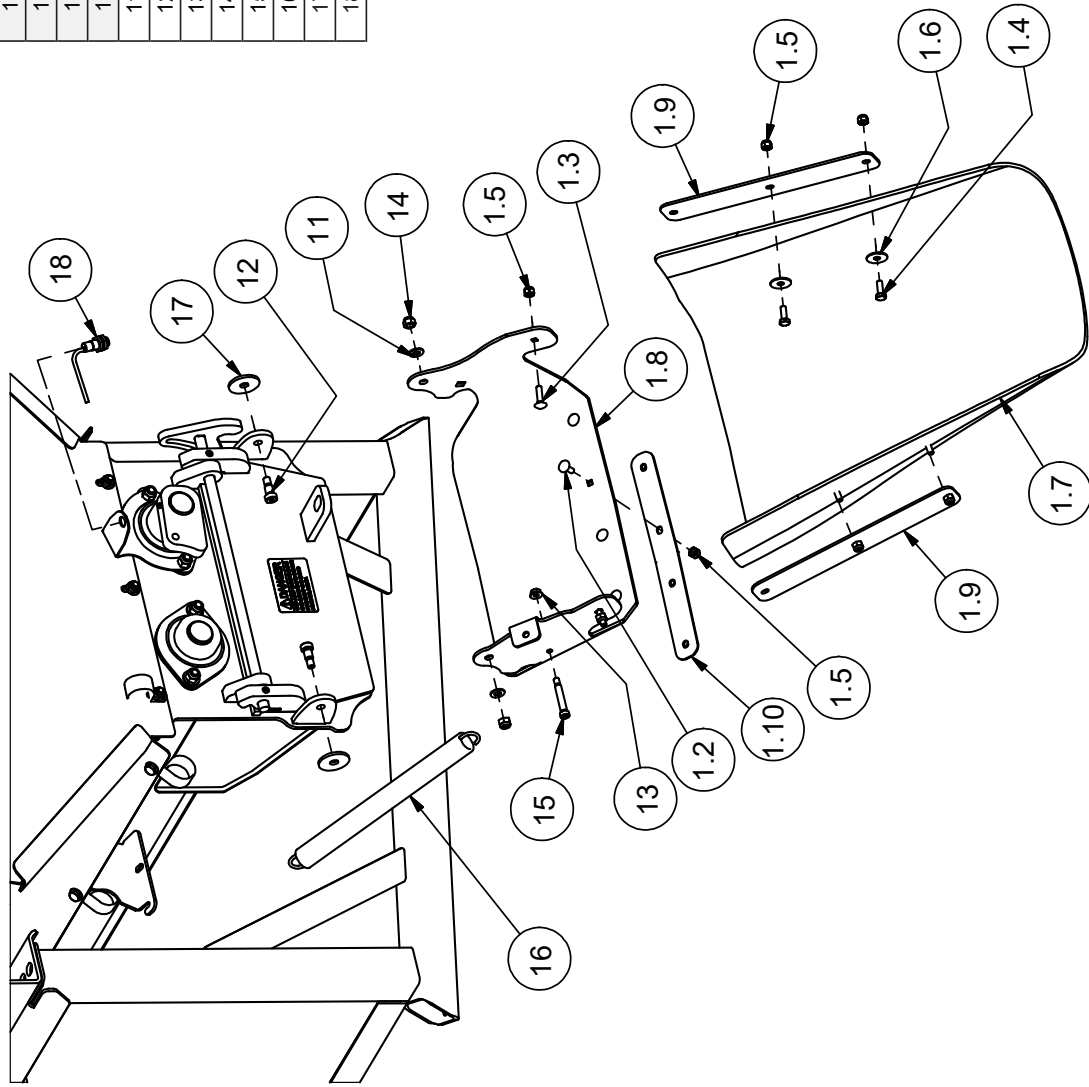
# Drive Shield 2017



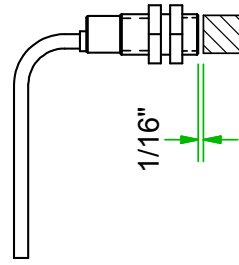
Parts List

ITEM	QTY	PART #	DESCRIPTION
1	1	110020	Bolt, 5/16-18 X 0.75 in Carriage
2	3	110327	NUT, 5/16-18 WING
3	2	110444	BOLT, 5/16-18 X 0.75, WIZ FLANGE
4	2	110606	NUT, 5/16-18 WIZ FLANGE
5	3	110665	WASHER, 5/16" FLAT STANDARD
6	1	215379	Weldment, Shield, Feeder, 2017
7	1	260670	Shield Support

# Chute Extension Assembly 2017



Proximity  
Sensor  
Part #235027



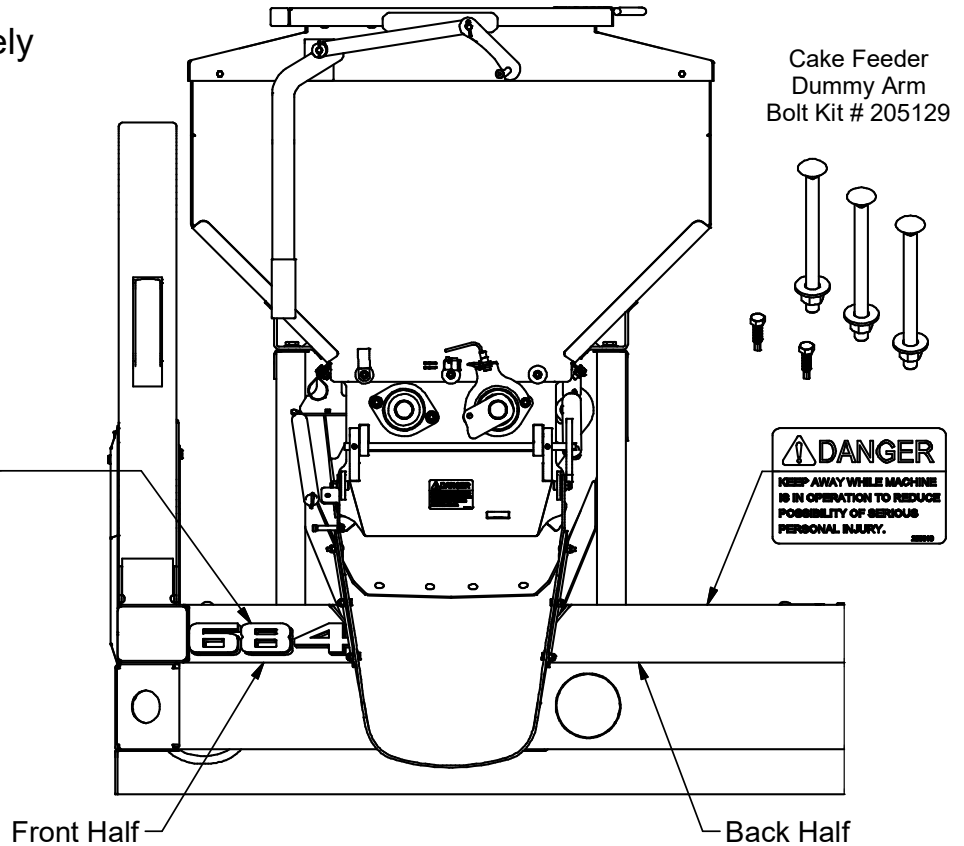
ITEM	QTY	PART #	DESCRIPTION
1	1	275006	Kit, Chute Extension
1.2	4	110154	Bolt, 1/4-20 X 0.75 In Carriage
1.3	2	110326	Bolt, 1/4-20 X 1 In Carriage
1.4	4	110561	Bolt, 1/4-20 X .75
1.5	10	110630	Nut, 1/4-20 Lock (Nylon Insert)
1.6	4	111033	Washer, 1/4" X 1" Od, Plain
1.7	1	260473	Rubber Chute
1.8	1	260534	Chute Extension
1.9	2	260536	Chute Extension, Side Support
1.10	1	260537	Chute Extension, Doubler Plate
11	2	110069	Washer, 5/16" Flat Sae
12	2	110289	Bolt, 3/8 X 1/2 Shoulder Shcs
13	1	110290	Nut, 1/4-20 W/z Flange
14	2	110603	Nut, 5/16-18 Lock (Nylon)
15	1	110767	Bolt, 5/16 X 1.5 Shoulder Shcs
16	1	202088	Spring, 1.06od X 12l X .135 Wire
17	2	211747	Friction Washer 1.5"
18	1	235027	Sensor, Proximity, With Plug

2/20/2017

Flatbed Model #	Standard Dummy Arm	Cake Feeder Dummy Arms					
		1000		1500		2000	
		Front Half	Back Half	Front Half	Back Half	Front Half	Back Half
<b>675</b>	215150	215353	215354	NA	NA	NA	NA
<b>676</b>	215249	215353	215356	215355	215354	NA	NA
<b>677</b>	215191	215353	215357	215355	215356	NA	NA
<b>679</b>	215208	215353	215358	215355	215357	215355	215356
<b>682</b>	215145	215359	215357	215360	215356	NA	NA
<b>684</b>	215193	215359	215358	215360	215357	215360	215356
<b>687</b>	215198	NA	NA	215360	215361	215360	215361
<b>688</b>	215200	NA	NA	215360	215362	215360	215362
<b>778</b>	215160	215363	215364	NA	NA	NA	NA
<b>776</b>	215257	215363	215365	215367	215366	NA	NA
<b>782</b>	215158	215363	215368	215367	215369	NA	NA
<b>784</b>	215202	215363	215370	215367	215371	215367	215372
<b>787</b>	215204	NA	NA	215367	215373	215367	215373
<b>788</b>	215206	NA	NA	215367	215374	215367	215374

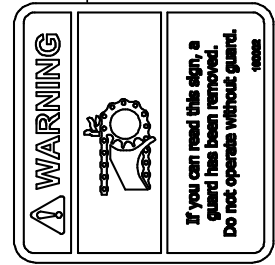
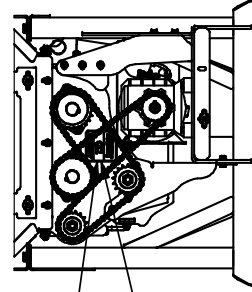
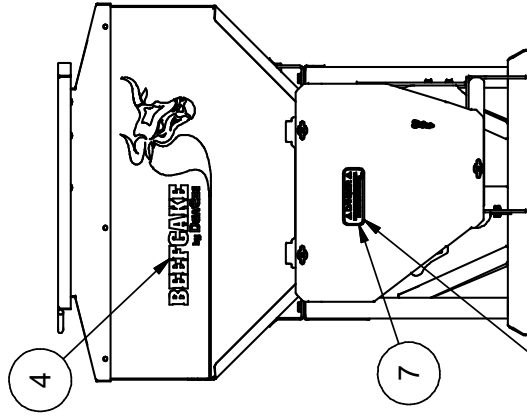
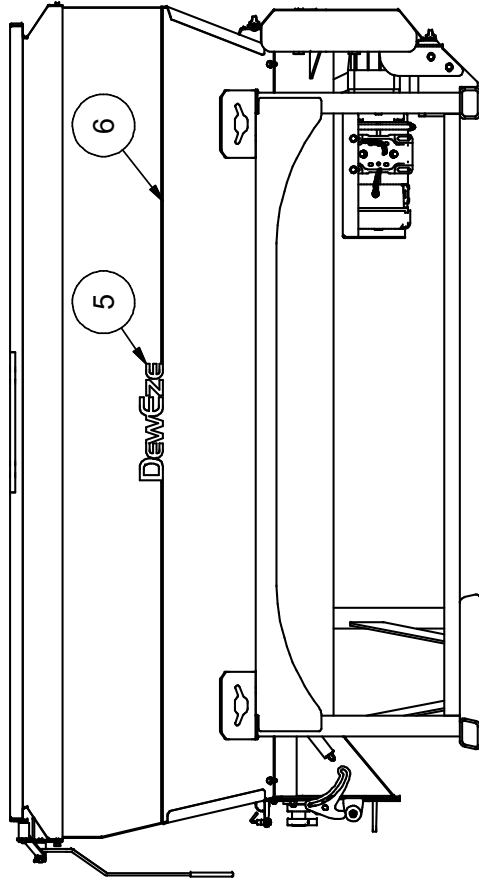
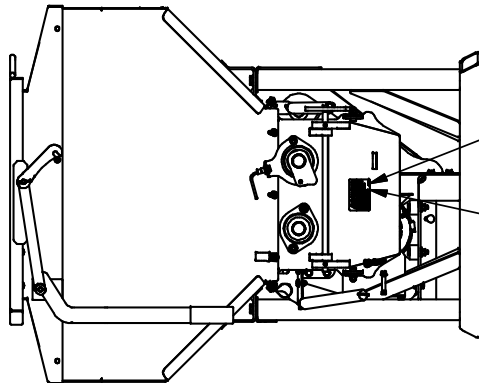
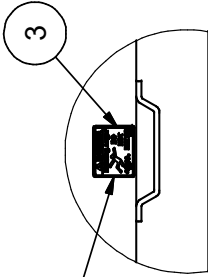
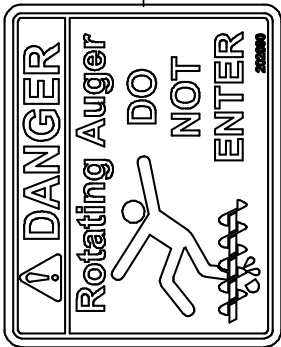
Decals Must Be Purchased Separately

Decals	
Model #	Part #
675	202095
676	202096
677	202097
679	202098
682	202099
684	202100
687	202101
688	202102
778	202105
776	202104
782	202106
784	202107
787	202108
788	202109



6/6/2018

**Decal Page**  
**DewEze BEEFCAKE**

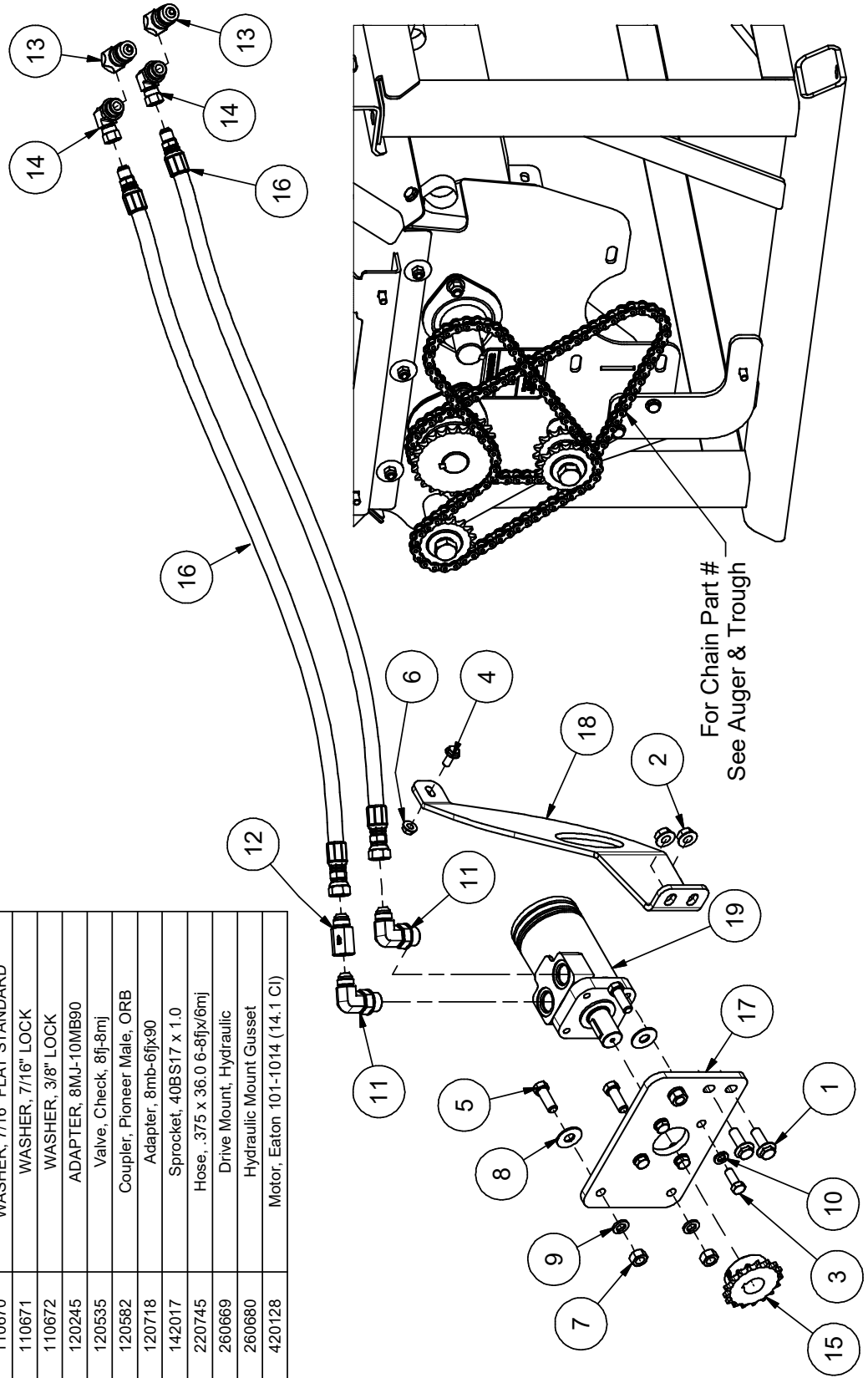


Parts List

ITEM	QTY	PART #	DESCRIPTION
1	1	160002	Decal, Guard Removed, Graphic
2	1	200010	DANGER DECAL
3	1	202090	Decal, Danger, Rotating Auger
4	1	202091	Decal, Beefcake & Bull 21.87 X 8.75
5	1	202092	Decal, DewEze, 11.5 X 1.8
6	11.25'	202093	Decal, Pin stripe
7	1	500038	Decal, Danger Keep Covers In Place

# Hydraulic Drive 2021

Kit, Hyd Drive (14.1) #205127			
ITEM	QTY	PART #	DESCRIPTION
1	2	110254	BOLT, 7/16-14 X 1.25, WIZ FLANGE
2	2	110337	NUT, 7/16-14 WIZ FLANGE
3	4	110420	BOLT, 3/8-16 X 1.0
4	1	110444	BOLT, 5/16-18 X 0.75, WIZ FLANGE
5	3	110539	BOLT, 7/16-14 X 1.25
6	1	110606	NUT, 5/16-18 WIZ FLANGE
7	3	110641	NUT, 7/16-14
8	3	110670	WASHER, 7/16" FLAT STANDARD
9	3	110671	WASHER, 7/16" LOCK
10	4	110672	WASHER, 3/8" LOCK
11	2	120245	ADAPTER, 8MJ-10MB90
12	1	120535	Valve, Check, 8fj-8mj
13	2	120582	Coupler, Pioneer Male, ORB
14	2	120718	Adapter, 8mb-6fjx90
15	1	142017	Sprocket, 40BS17 x 1.0
16	2	220745	Hose, .375 x 36.0 6-8fj/6mj
17	1	260669	Drive Mount, Hydraulic
18	1	260680	Hydraulic Mount Gusset
19	1	420128	Motor, Eaton 101-1014 (14.1 Cl)

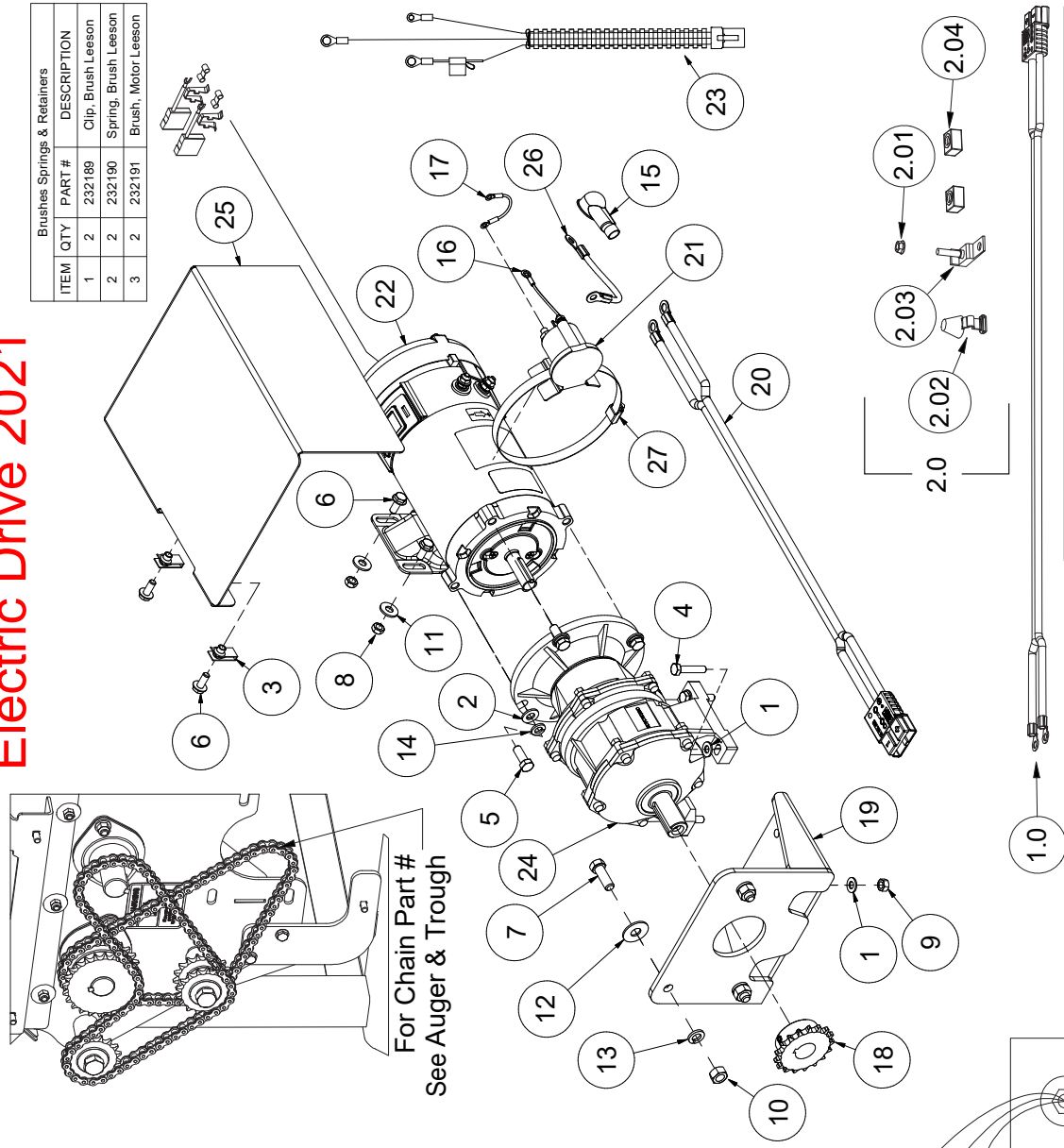


3/31/2022

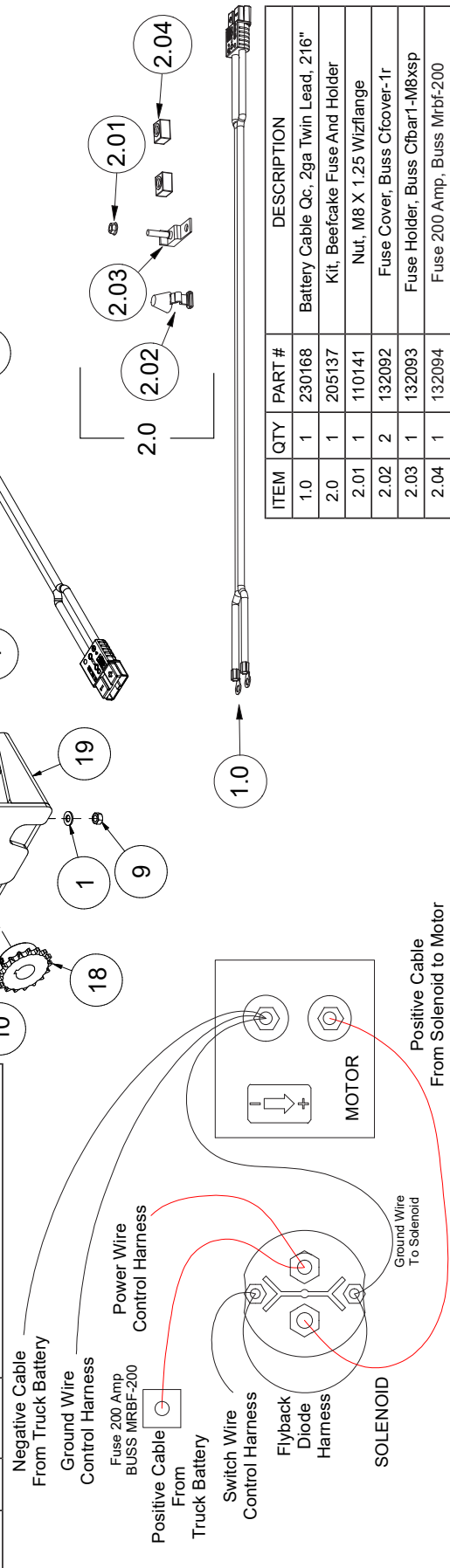
ELECTRIC DRIVE KIT: 205374	
ITEM	DESCRIPTION
1	Washer, 5/16" Flat Sae
2	Washer, 3/8" Flat Sae
3	Nut, 5/16-18 U-Type .75
4	Bolt, 5/16-18 X 1-1/2
5	Bolt, 3/8-16 X 1.0
6	Bolt, 5/16-18 X 0.75, Wiz Flange
7	Bolt, 7/16-14 X 1.25
8	Nut, 5/16-18, Umitorque Lock
9	Nut, 5/16-18
10	Nut, 7/16-14
11	Washer, 5/16" Flat Standard
12	Washer, 7/16" Flat Standard
13	Washer, 7/16" Lock
14	Washer, 3/8" Lock
15	Terminal Protector, Red, 1-2ga
16	Terminal, Ring, 16-14, 1/4, Heat Shrink
17	Flyback Diode Assembly, Cake Feeder
18	Sprocket, 40bs17 X 1.0
19	Bracket, Gear Reducer
20	Battery Cable Qc, 2ga Twin Lead, 30"
21	Solenoid, 4 Post, 12vdc Contactor
22	Motor, 12V Dc, 3/4 Hp
23	Harness, Cake Feeder, Electric
24	Gear Reducer, Inline, 30.55:1
25	Motor Shield, Electric, 2017
26	Cable, 4 Ga. 9", Red
27	Clamp, Hose #88 6.00"

Electric Drive 2021

Brushes Springs & Retainers		
ITEM	QTY	DESCRIPTION
1	2	Clip, Brush Leeson
2	2	Spring, Brush Leeson
3	2	Brush, Motor Leeson



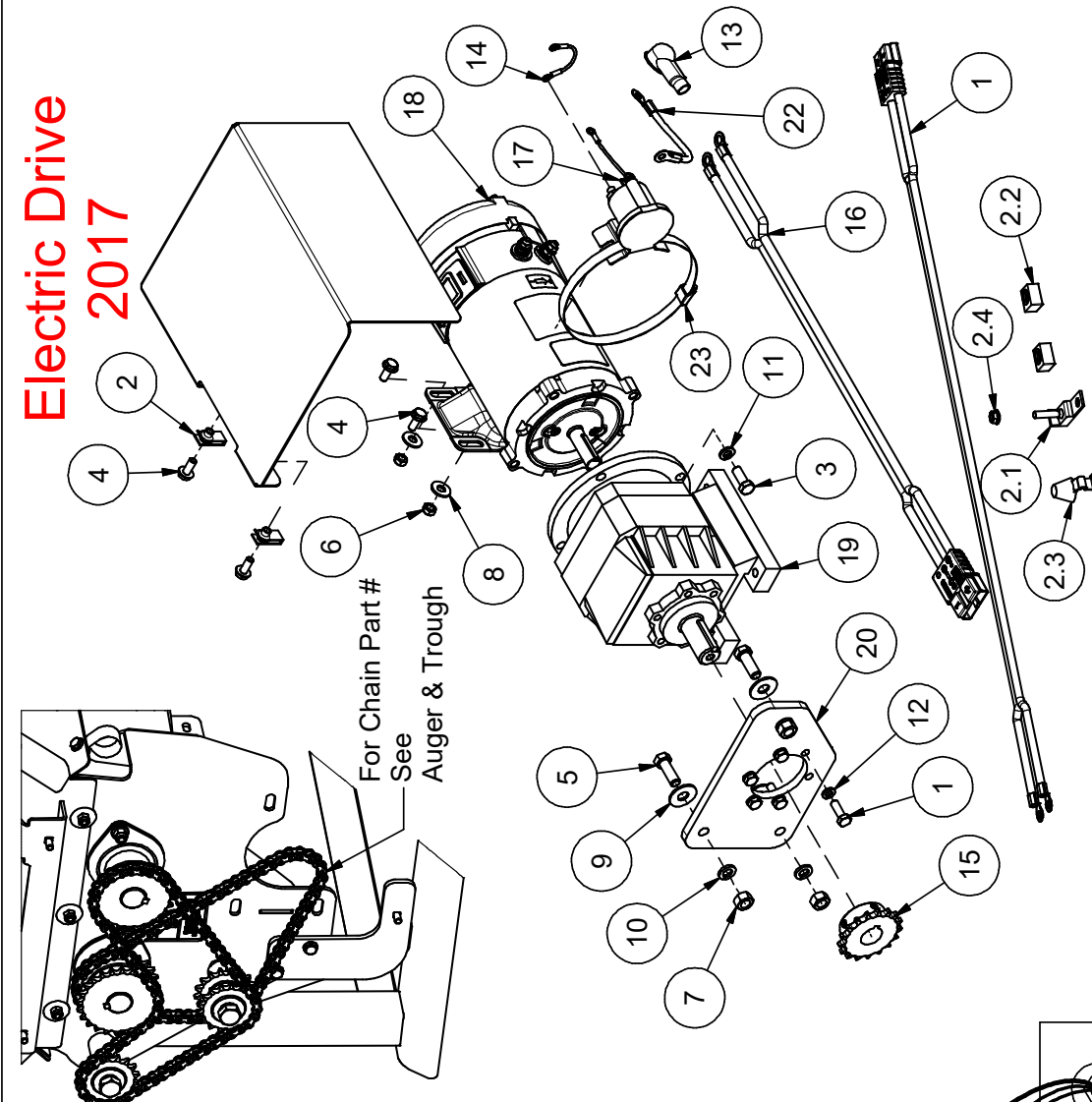
**For Chain Part #**  
**See Auger & Trough**



ITEM	QTY	PART #	DESCRIPTION
1.0	1	230168	Battery Cable Qc, 2ga Twin Lead, 216"
2.0	1	205137	Kit, Beefcake Fuse And Holder
2.01	1	110141	Nut, M8 X 1.25 Wizflange
2.02	2	132092	Fuse Cover, Buss C/cover-1r
2.03	1	132093	Fuse Holder, Buss C/brar1-M8xsp
2.04	1	132094	Fuse 200 Amp, Buss Mrbf-200

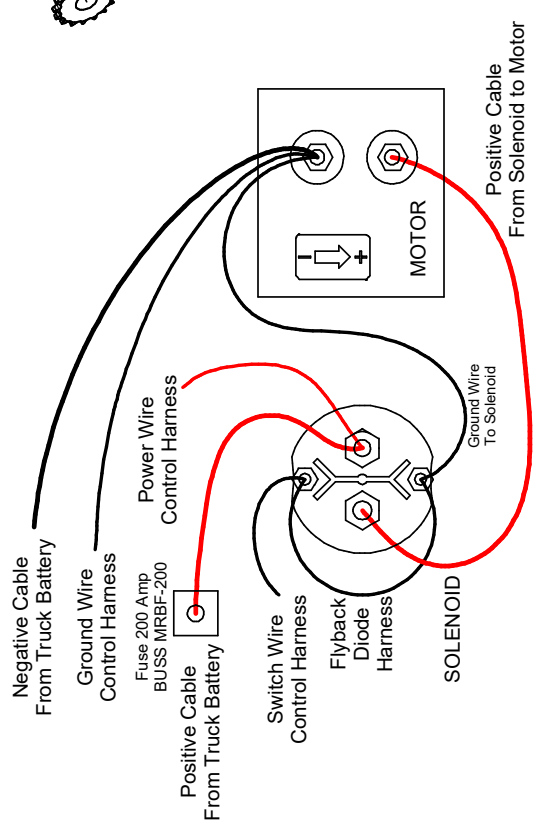
# Electric Drive 2017

Kit, Electric Drive #205126	
ITEM	DESCRIPTION
1	BOLT, M8x1.25 x 25 Gr 10.9
2	NUT, 5/16-18 U-TYPE .75L
3	BOLT, 3/8-16 X 1.0
4	BOLT, 5/16-18 X 0.75, WIZ FLANGE
5	BOLT, 7/16-14 X 1.25
6	NUT, 5/16-18, UNITORQUE LOCK
7	NUT, 7/16-14
8	WASHER, 5/16" FLAT STANDARD
9	WASHER, 7/16" FLAT STANDARD
10	WASHER, 7/16" LOCK
11	WASHER, 3/8" LOCK
12	WASHER, 5/16" LOCK
13	Terminal Protector, Red, 1-2ga
14	Flyback Diode Assembly, Cake Feeder
15	Sprocket, 40BS17 x 1.0
16	Battery Cable QC, 2ga Twin Lead, 30"
17	Solenoid, 4 Post, 12VDC Contactor
18	Motor, 12V DC, 3/4 HP
19	Gear Reducer, Inline, 29.4:1
20	Drive Mount, Electric
21	Motor Shield, Electric, 2017
22	Cable, 4 ga, 9", Red
23	CLAMP, HOSE #88 6.00"



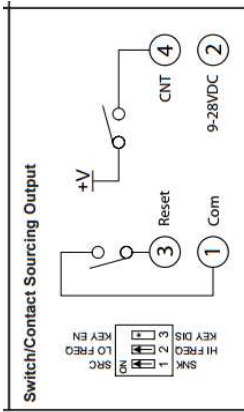
For Chain Part #  
See  
Auger & Trough

ITEM	QTY	PART #	DESCRIPTION
1	1	230168	Battery Cable QC, 2ga Twin Lead, 216"
2	1	205137	Kit, BeefCake Fuse and Holder
2.1	1	132093	FUSE HOLDER, BUSS CFBAR1-M8XSP
2.2	2	132094	FUSE 200 AMP, BUSS MRBF-200
2.3	1	132092	FUSE COVER, BUSS CFCOVER-1R
2.4	1	110141	NUT, M8 X 1.25 WIZFLANGE

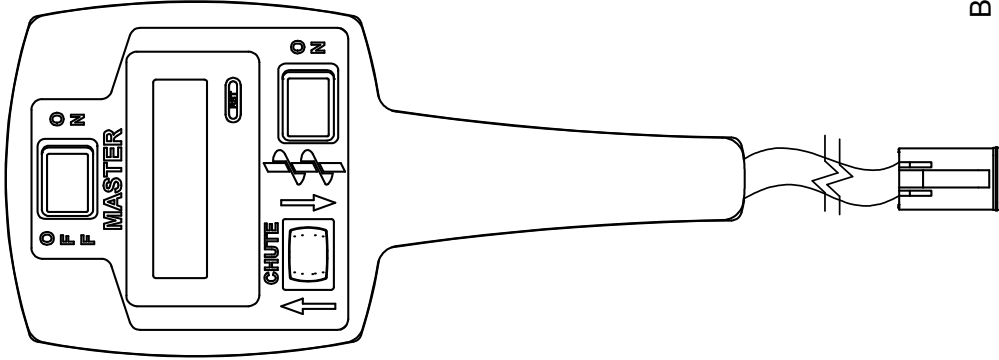
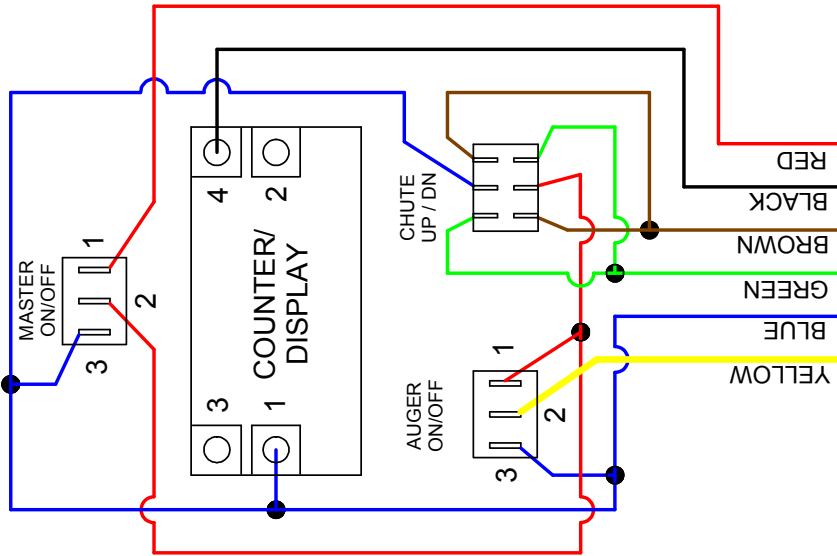


3/5/2019

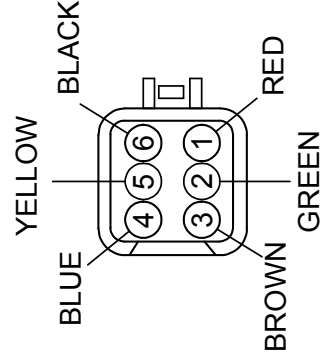
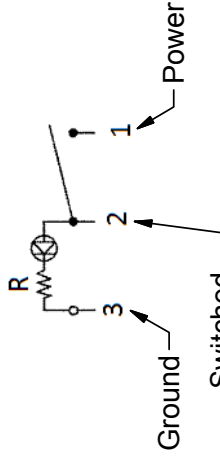
NOTE: All 3 DIP Switches Set to ON



**Hand Control From Backside**



132132  
3P SPST ON-OFF  
ILLUM

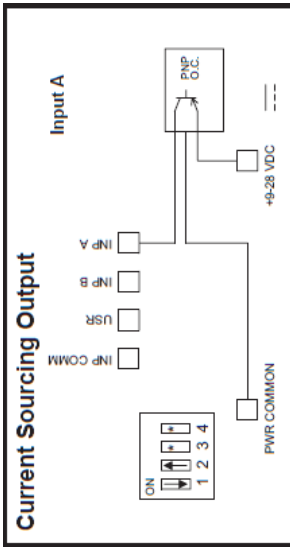


**Hand Control Assy, Part #150047**

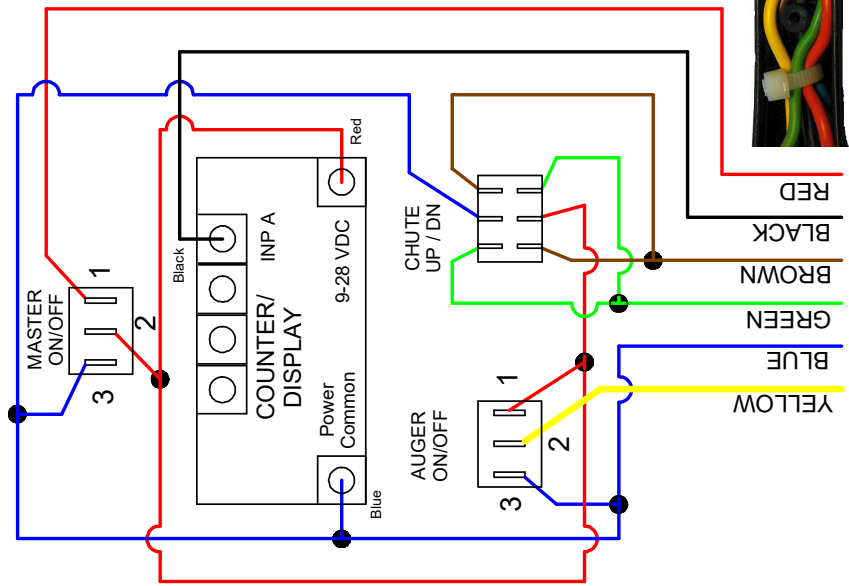
ITEM	QTY	PART #	DESCRIPTION
1	1	132129	Counter, Display
2	1	132131	Switch, Rocker Min. DPDT, (On)-OFF-(ON)
3	2	132132	Switch, Rocker Min. SPST, On-OFF, Illum.
4	1	150001	TOP HOUSING, HAND CONTROL
5	1	150003	BOTTOM HOUSING, HAND CONTROL
6	4	150013	SCREW, #6 X 1/4 TYPE F
7	2	150014	SCREW, #6 X 1 SHEETMETAL
8	2	150015	SCREW, #6 X 1.5 SHEETMETAL
9	1	150046	Switch Plate, Feeder, Hand Control
10	1	202089	Decal, Cake Feeder Hand Control
11	1	230164	Cable, Hand Control, Feeder

**OLD COUNTER STYLE (COUNTER OBSOLETE)**

NOTE: DIP Switch 1 OFF DIP Switch 2 ON

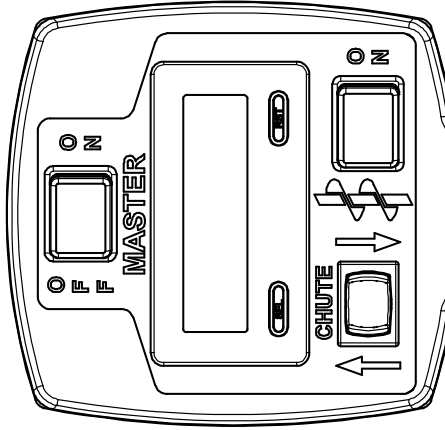


Hand Control From Backside



1000E S/N 20A56  
1500E S/N 20A67  
2000E S/N 20A34

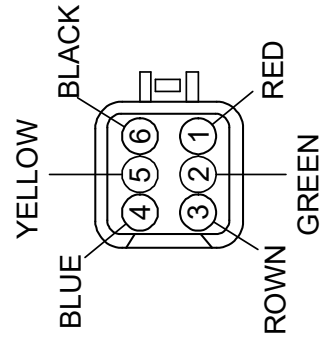
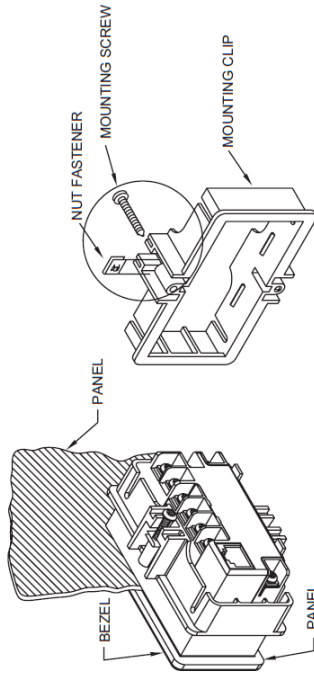
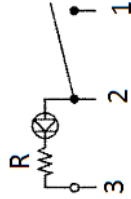
Starting July 2020



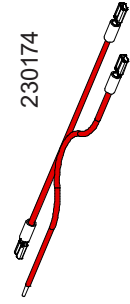
Hand Control Assy, Part #150048

ITEM	QTY	PART #	DESCRIPTION
1	1	132131	Switch, Rocker Min. DPDT, (On)-OFF-(ON)
2	2	132132	Switch, Rocker Min. SPST, On-OFF, Illum.
3	1	132176	Counter, Display, Backlight Display
4	1	150001	TOP HOUSING, HAND CONTROL
5	1	150003	BOTTOM HOUSING, HAND CONTROL
6	4	150013	SCREW, #6 X 1/4 TYPE F
7	2	150014	SCREW, #6 X 1 SHEETMETAL
8	2	150015	SCREW, #6 X 1.5 SHEETMETAL
9	1	150046	Switch Plate, Feeder, Hand Control
10	1	202089	Decal, Cake Feeder Hand Control
11	1	230173	Cable, Hand Control, Feeder
12	1	230174	Jumper, Hand Control, Feeder

132132  
3P SPST ON-OFF  
ILLUM

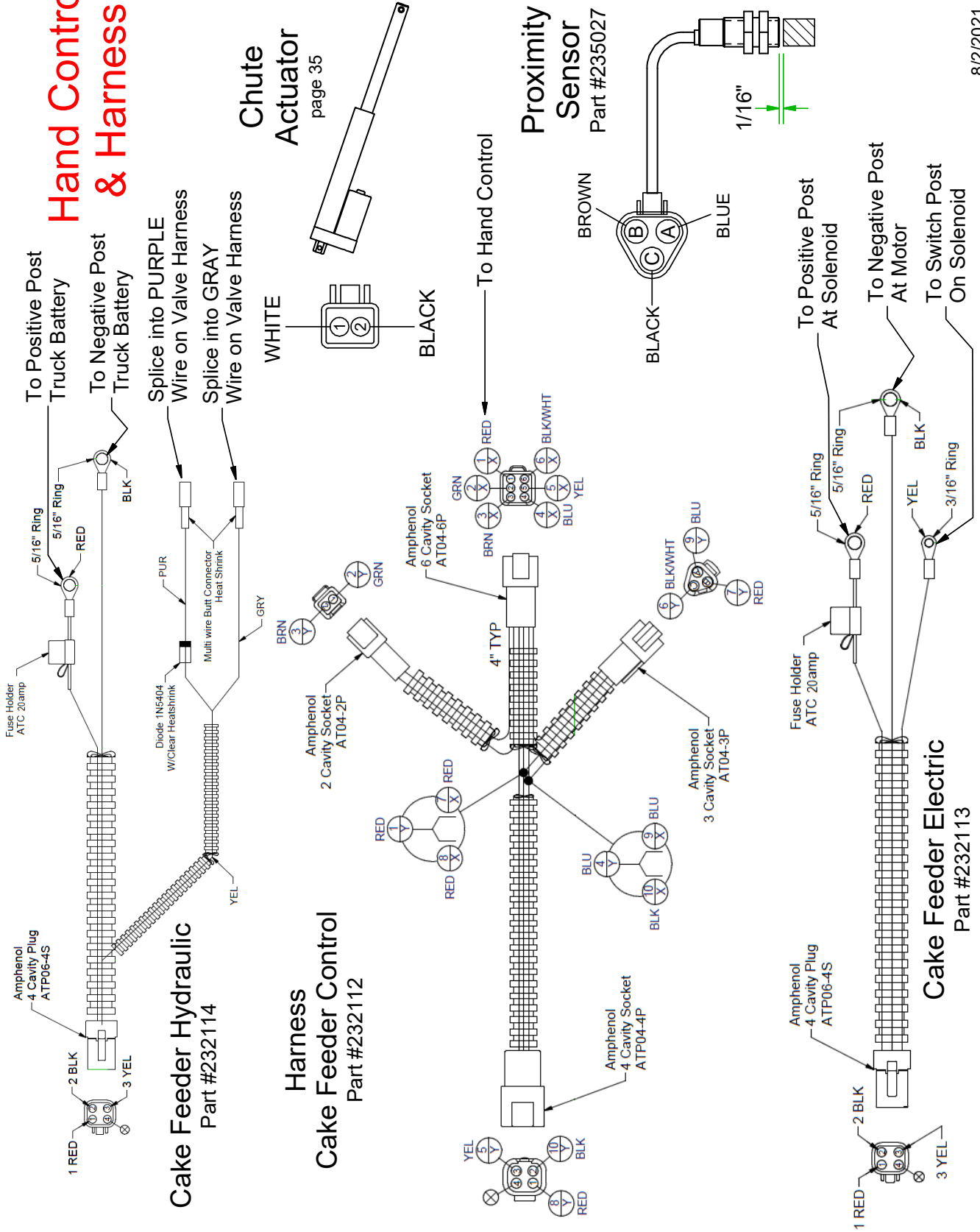


NEW = 2 BUTTON ON FACE  
New displays ADD A POWER WIRE.  
Deweze provides a pre-made JUMPER.



NEW COUNTER STYLE (CONSTANT POWER)

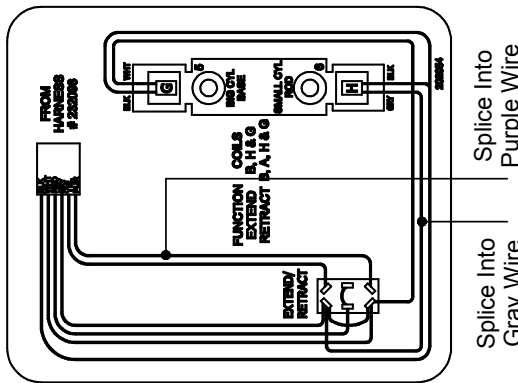
# Hand Control & Harness



8/2/2021

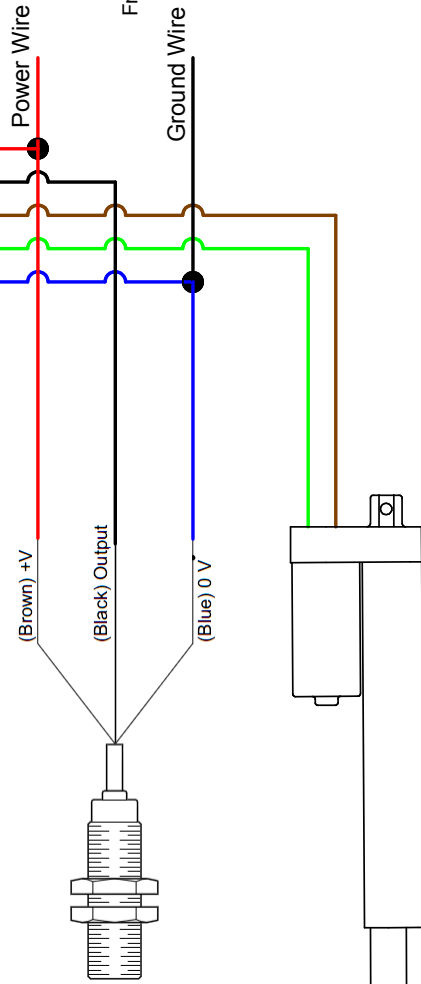
# Cake Feeder Electrical Schematic

Hand Control From Backside

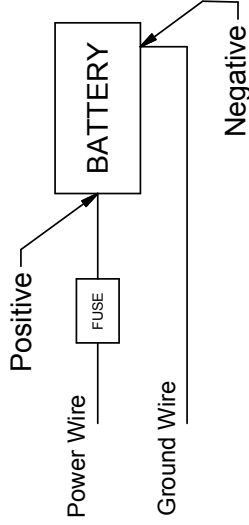


Hydraulic Valve Control

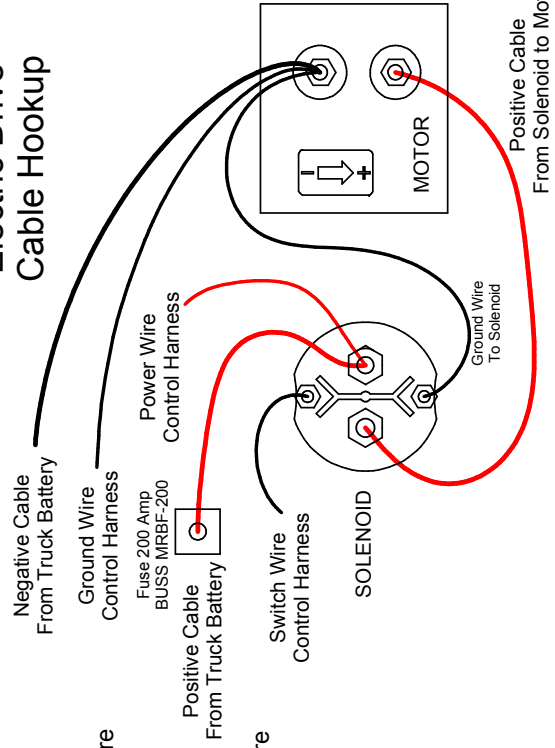
PNP output type



Hydraulic Drive Power Supply



Electric Drive Cable Hookup

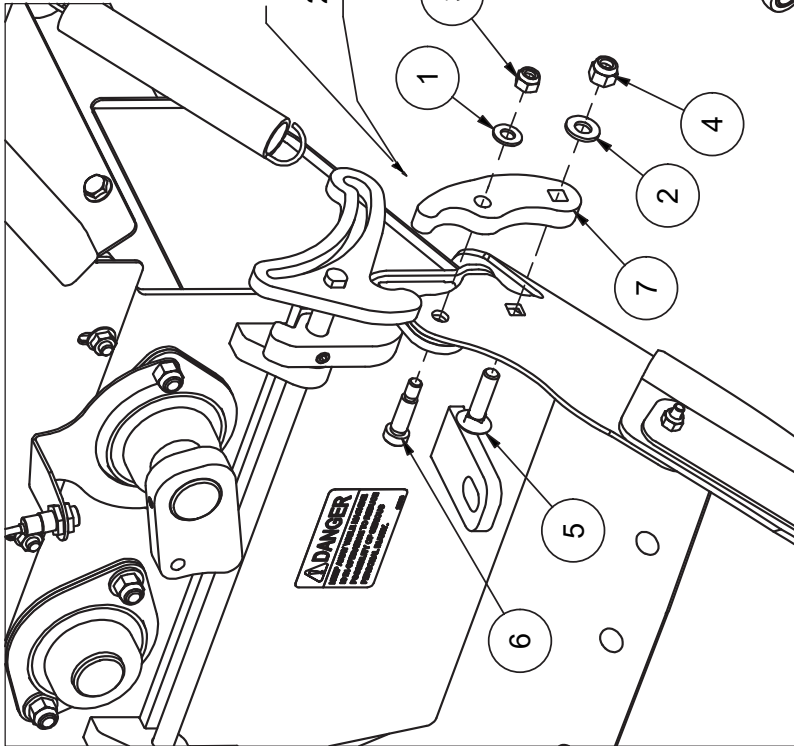


# Door Operation Methods

\*\*\*Note: Do not operate feeder with parts from both method one and two installed at the same time. Failure will result.

## Method Two

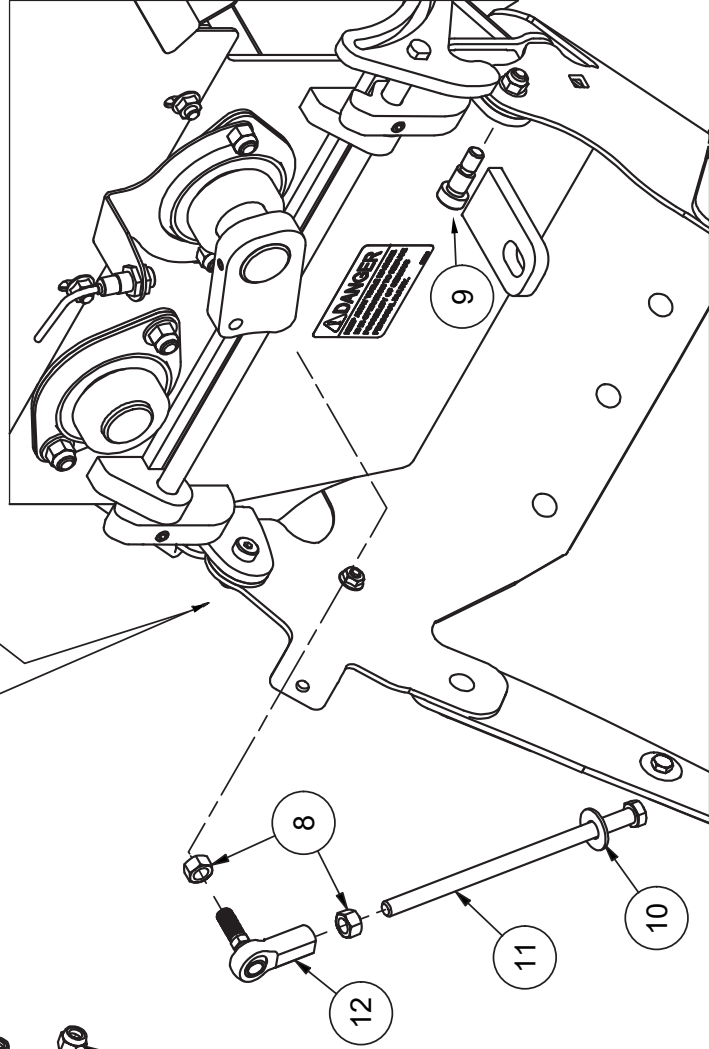
205151



## Method One

205134

Parts for method two are installed from the factory



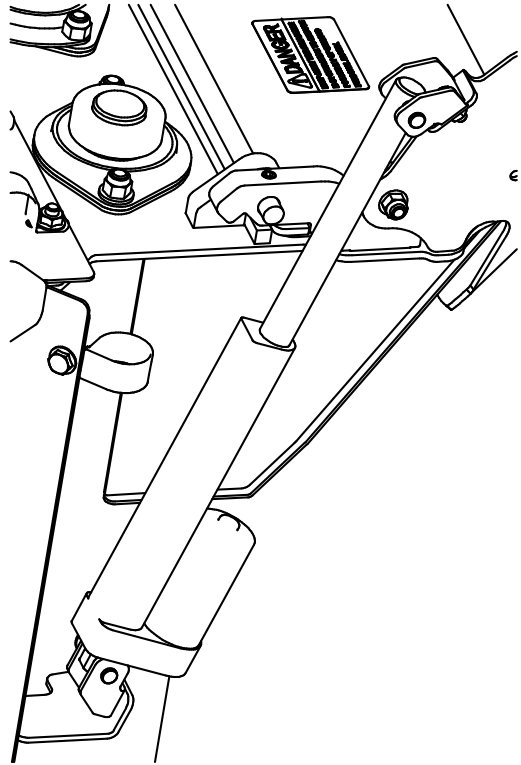
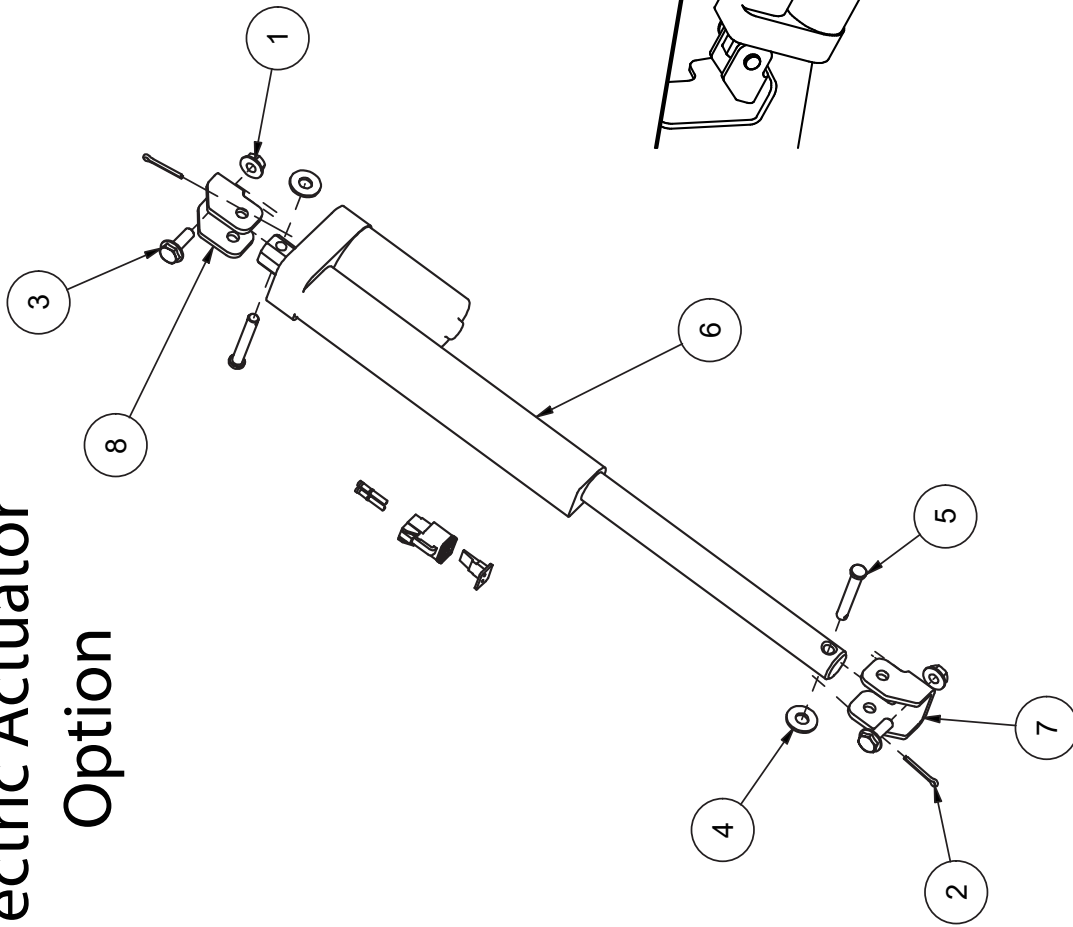
ITEM		QTY	PART #	DESCRIPTION
1		1	205151	Kit, BeefCake Manual Door Kicker
2		1	110069	WASHER, 5/16" FLAT SAE
3		1	110155	WASHER, 3/8" FLAT SAE
4		1	110603	NUT, 5/16-18 LOCK (NYLON)
5		1	110618	NUT, 3/8-16 LOCK NYLON INSERT
6		1	110916	Bolt, 3/8-16 X 1.5 in Carriage
7		1	111071	BOLT, 3/8 X 1.0 SHOULDER SHCS
8		1	260757	Manual Door Kicker
9		2	205134	Kit, BeefCake Ball Joint
10		1	110083	NUT, 3/8-24
11		1	110289	BOLT, 3/8 X 0.5 SHOULDER SHCS
12		1	110676	WASHER, 3/8" FLAT STANDARD
		1	111068	Bolt, 3/8-24 X 7.0
		1	142015	Ball Joint Linkage, 3/8-24 RH

02/03/2025

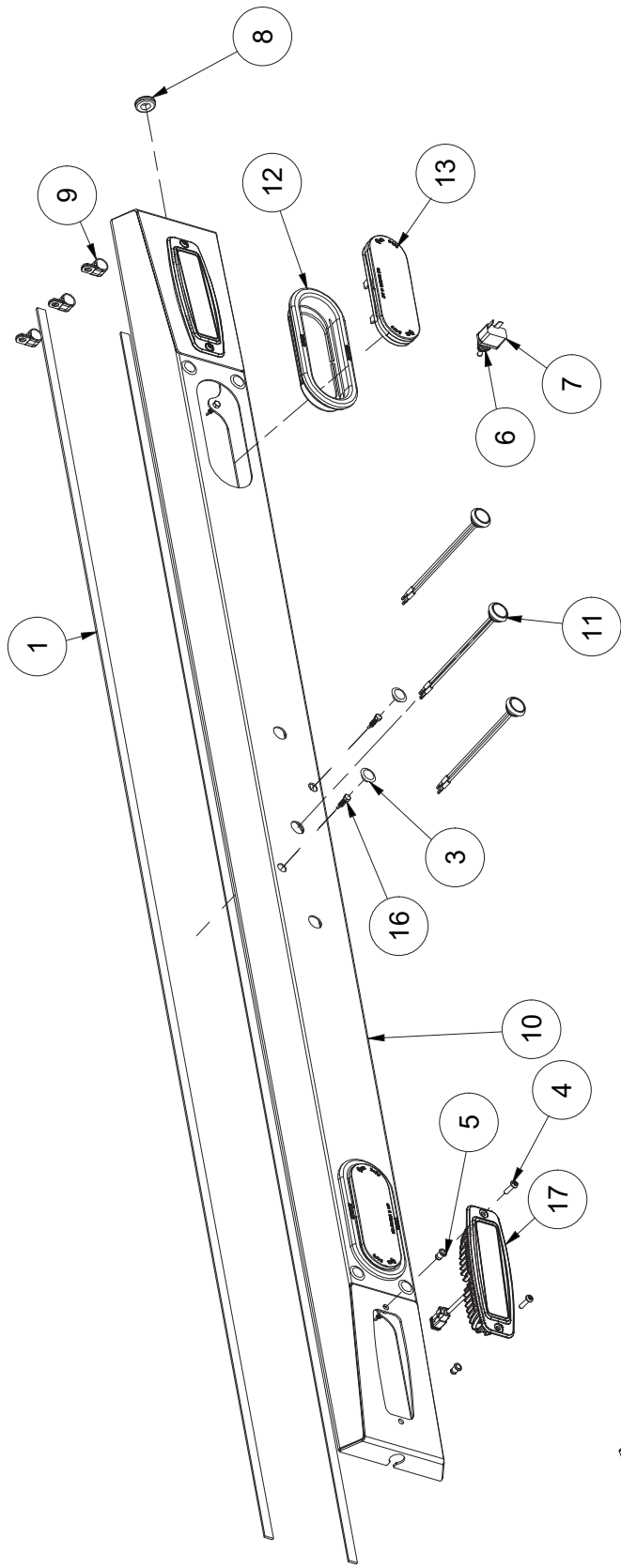
235029 REV: A

ITEM	QTY	PART #	DESCRIPTION
	1	235029	Kit, Actuator
1	2	110290	Nut, 1/4-20 W/iz Flange
2	2	110300	Cotter Pin, 3/32 X 0.75
3	2	110468	Bolt, 1/4-20 X 0.75, W/iz Flange
4	2	110673	Washer, 1/4" Flat Standard
5	2	112095	Clevis Pin, Std Zp 1/4 X 1 5/8
6	1	235028	Actuator, 5.9", With Plug
7	1	270135	Tool Box Door Hinge, Outer Half
8	1	270139	Tool Box Door Hinge, Inner Half

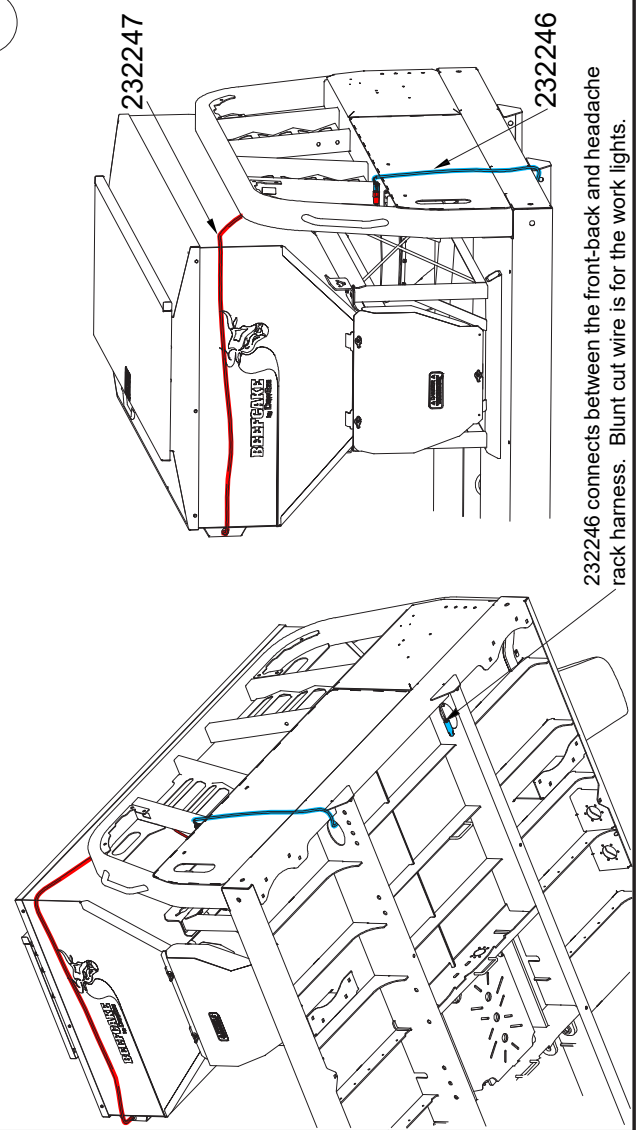
# Electric Actuator Option



# LIGHT BAR KIT 800/900

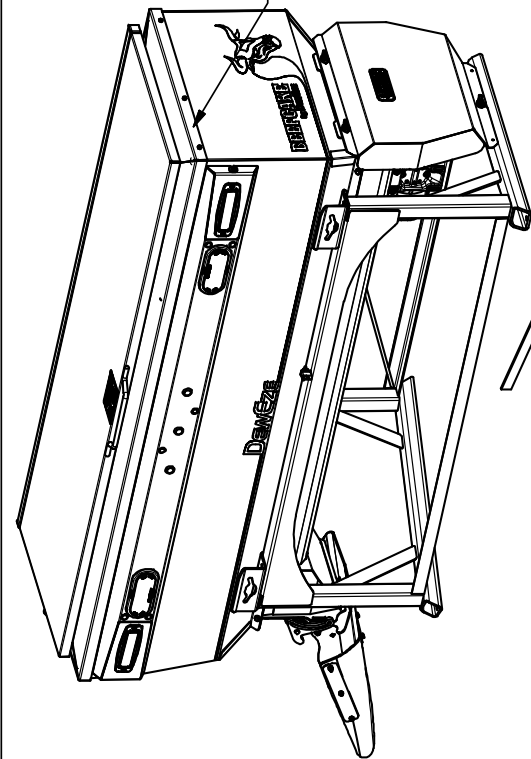


ITEM	QTY	PART #	DESCRIPTION
1	13ft	100613	Seal, .50 X .187 X 156
2	5	102117	Cable Tie, Edge Clip, Top Mount, 7.9" Black
3	6	110753	Plug, 1/2" Button Plastic
4	4	110834	Screw, 10-24 X 3/4 SS Phillips Pan Head
5	4	110835	Nut, 10-24 Rivet Aluminum
6	1	132035	Switch Boot
7	1	132135	Switch, Toggle, Spst, On-Off
8	1	150018	Grommet, 9/16 X 1" Od
9	3	200019	Clamp, AdelAc10 .265 Hole
10	1	215399	Weldment, Light Bar, Cake Feeder
11	3	232091	Light, 3/4" Round, Led, Red
12	2	232125	Grommet, 6" Oval, Grote
13	2	232127	Light, Oval, S/T/T, Male Pin, Grote
14	1	232246	Harness, Light Bar Splice, 800/900
15	1	232247	Harness, Light Bar, 800/900
16	6	710587	Screw, 3/16 X .75 Tek Self-Tap
17	2	835027	Headlight Assembly, Flush Mount Led



Cake Feeder Light Bar Option Part # 205142		DESCRIPTION
ITEM	QTY	PART #
1	13 ft.	100613
2	5	102117
3	6	110753
4	4	110834
5	4	110835
6	1	132035
7	1	132135
8	1	150018
9	3	200019
10	1	215399
11	3	232091
12	2	232125
13	2	232127
14	1	232142
15	6	710587
16	2	835027
		HEADLIGHT ASSEMBLY, FLUSH MOUNT LED

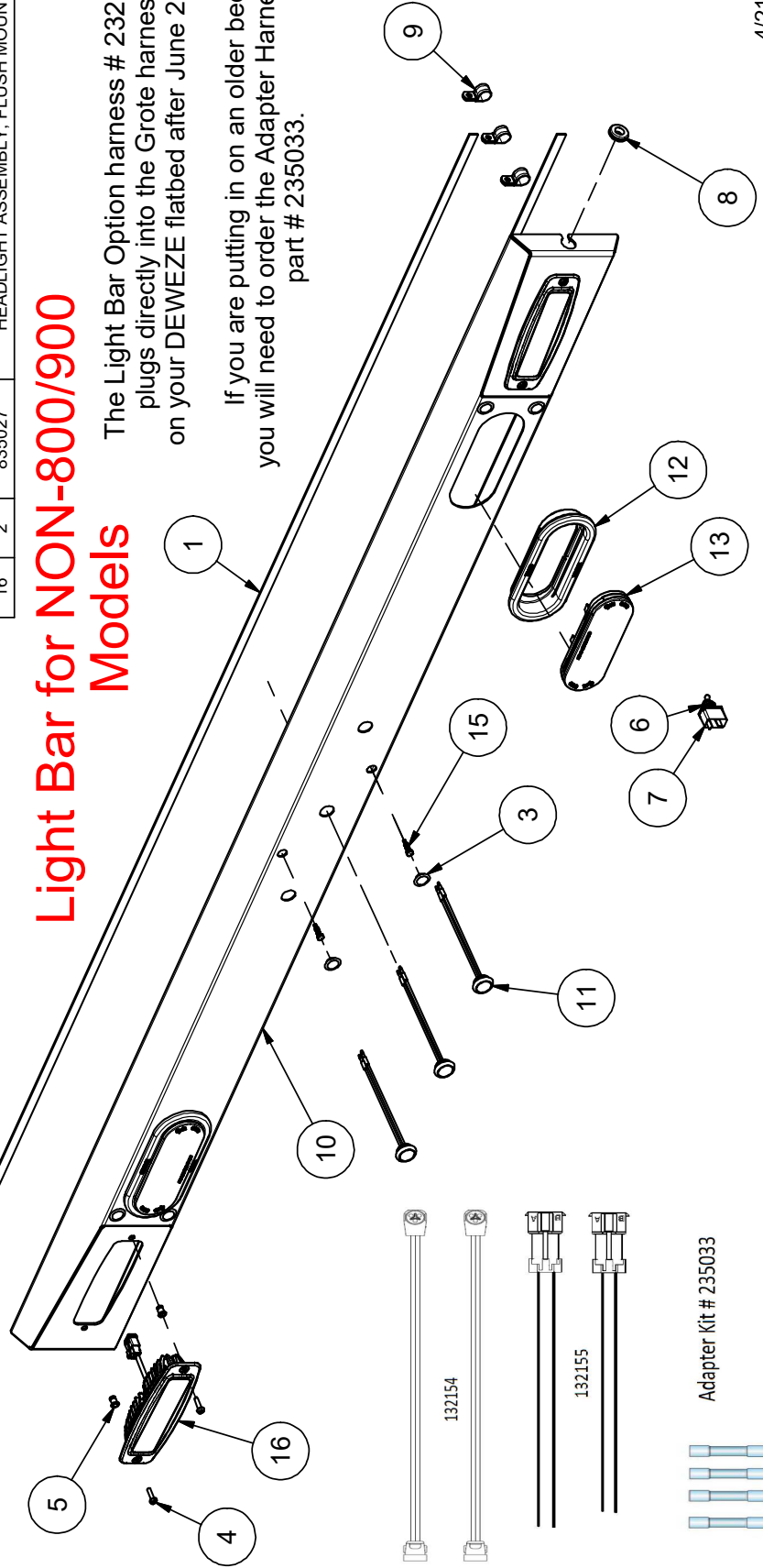
Wiring Harness Will Run Along Right Side Then Across Headache Rack and Plug Into Place of Tail Lights



## Light Bar for NON-800/900 Models

The Light Bar Option harness # 232142 plugs directly into the Grote harness on your DEWEZE flatbed after June 2018.

If you are putting in on an older bed you will need to order the Adapter Harness Kit part # 235033.



## NOTES

Harper Industries, Inc.  
151 E. Highway 160  
Harper, KS 67058

Telephone: 620-896-7381  
Toll-Free: 800-835-1042  
Fax: 620-896-7129

Website: [www.harperindustries.com](http://www.harperindustries.com)

E-mail: [info@harperindustries.com](mailto:info@harperindustries.com)