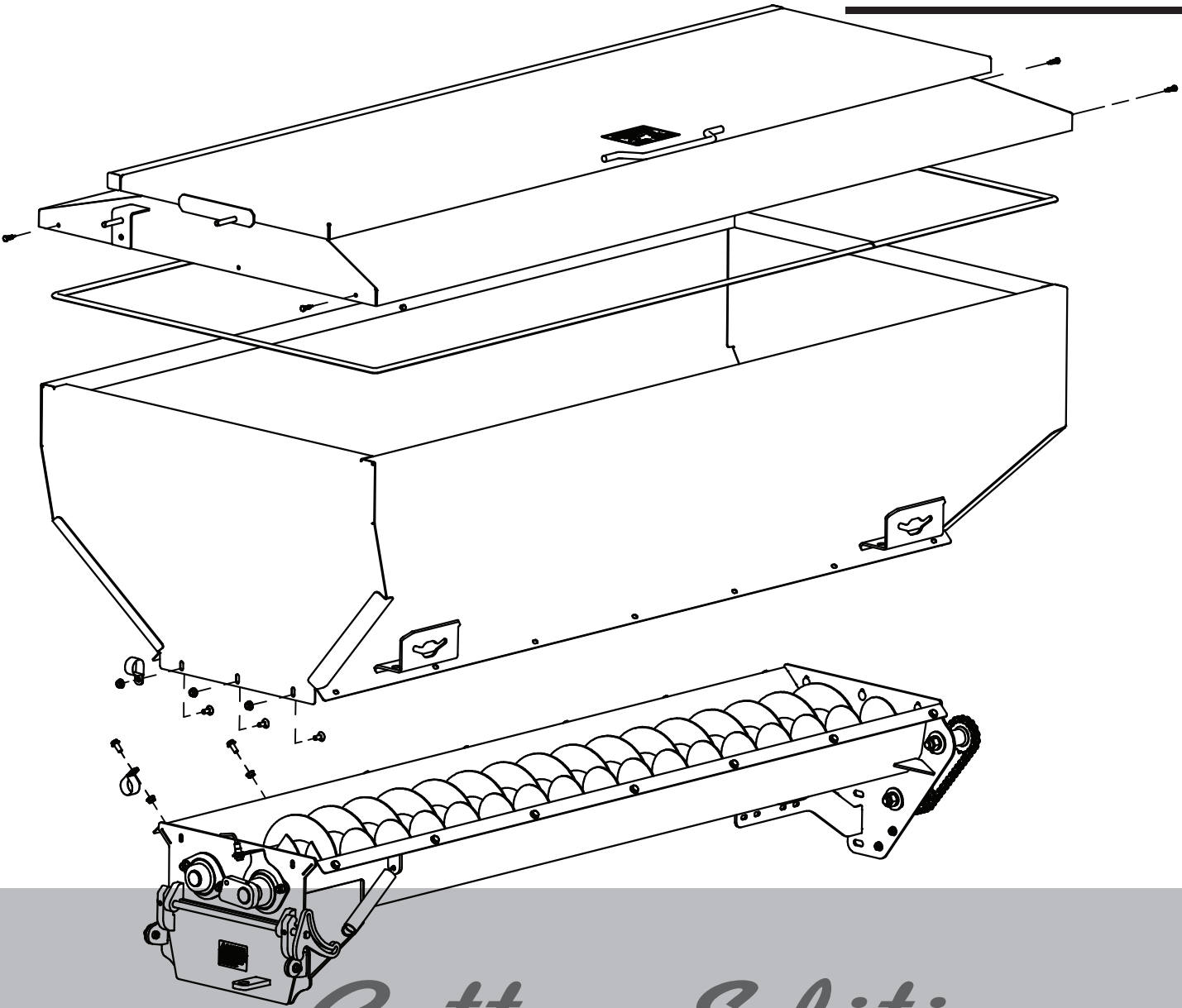


# BEEFCAKE

---



*Cotton Edition*  
**OPERATOR'S & PARTS  
MANUAL**



## Thank you for purchasing a Harper Beefcake.

### TO THE OWNER OR OPERATOR:

As with all Harper products, the Harper Beefcake has been developed through tough design and testing procedures to produce a machine that can be relied on. This manual gives assembly, operating, and service information for models **BC1000, BC1500, and BC2000**. Please read and understand all instructional material included with the Beefcake and its components before assembling and operating the equipment.

A Beefcake cake feeder can present hazards to an operator who follows unsafe procedures in either the operation or maintenance of the unit. Therefore, **SAFETY WARNINGS** are presented at certain locations in the text.

#### SYMBOL:



**SAFETY WARNING!**



**MEANING:** Failure to understand and obey this warning may result in injury to you or others. Whenever this symbol is used, please pay very close attention to the information presented, and make sure you fully understand. If you do not, contact your dealer or Harper Industries for clarification.



**SAFETY WARNING!**



**All shields and guards must be in place for proper and safe operation of this equipment. Where they are shown removed in this manual, it is for purposes of illustration and instruction only. Do not operate this equipment unless all shields and guards are in place.**

Harper Industries, Inc. is continually striving to improve the design and performance of its products. We reserve the right to make changes in specifications and design without thereby incurring any obligation relative to previously manufactured products.

© 2026 Harper Industries, Inc.

The Harper and Beefcake names are registered trademarks of Harper Industries, Inc. All other brand and product names are trademarks or registered trademarks of their respective companies.

## LIMITED WARRANTY

Harper Industries, Inc. (HII) warrants to each purchaser of a new Harper Beefcake from an authorized dealer or representative, that such equipment is free of manufacturer's defects in workmanship and materials which appear while in normal service for a period of ONE YEAR commencing with delivery to the original user.

The obligation of HII under this warranty is expressly limited, at our option, to replacement or repair at a service facility designated by Harper Industries or at the manufacturing plant in Harper, KS. A part will be replaced after inspection discloses it to have been defective. This warranty does not apply to defects caused by damage or unreasonable use (including failure to provide reasonable and necessary maintenance, or by performing functions without genuine Harper Beefcake accessories) while in the possession of the consumer.

Warranty is limited to parts, labor and ground freight delivery of replacement parts. HII shall not be liable for the consequential damages of any kind, including but not limited to consequential labor costs or transportation charges in connection with replacement or repair of defective parts.

This warranty does not apply to parts subjected to misuse, abuse, alteration, improper or inadequate maintenance, or normal wear (including chains, augers).

Harper Industries makes no warranty with respect to trade accessories. They are subject to the warranties of their respective manufacturers.

ANY IMPLIED OR STATUTORY WARRANTIES, INCLUDING ANY WARRANTY OR MERCHANTABILITY OR FITNESS FOR A PARTICULAR PURPOSE, ARE EXPRESSLY LIMITED TO THE DURATION OF THIS WRITTEN WARRANTY. HII makes no other express warranty, nor is anyone authorized to make any on behalf of HII.

For further information please contact your nearest Harper Beefcake dealer.

Date of Purchase \_\_\_\_\_ / \_\_\_\_\_ / \_\_\_\_\_

Dealer's Name \_\_\_\_\_

Dealer's Phone \_\_\_\_\_

Serial Number \_\_\_\_\_

# Table of Contents

## OPERATOR SECTION

To the Owner or Operator.....	1
Warranty Statement.....	2
Table of Contents.....	3
Specifications.....	4
Feature Identification.....	4-5
<b>General Safety Guidelines</b>	
Equipment and Controls.....	6
Guards and Shields.....	6
Replacement Parts.....	6
Safety Decals.....	6
Hydraulics.....	6
<b>Installation</b> .....	7
<b>Operating Instructions</b>	
Before Operating.....	8
Transporting.....	8
Operating	
Hydraulic BC.....	8
Electric BC.....	9
<b>Optional Door Operations</b>	
Door Lifting Mechanism.....	10
Kicker.....	10
<b>Optional Chute Operations</b>	
Method 1 - Manual Chute Operations.....	11
Method 2 - Actuator.....	11
<b>Electric Models</b> .....	12

## PARTS SECTION

<b>Structure</b>	
Cake Feeder Assy.....	16
Cake Feeder Stand (2017).....	17
Auger & Trough Assy (2021).....	18-19
Auger Orientation.....	20
Drive Chains Adjustment & Tension.....	21
Lid & Frame Assy.....	22
Lift Handle & Latch/Drive Shield.....	23
Agitator Drive Assy.....	24
Agitator Assy.....	25
Chute Extension Assy.....	26
Cake Feeder Dummy Arms.....	27
Drive Shield.....	28
Decals.....	29
<b>Hydraulic/Electric</b>	
Hydraulic Drive (2021).....	30
Electric Drive (2021).....	31
Electric Drive (2017).....	32
Hand Control (2017).....	33
Hand Control (2020).....	34
Electrical Harnesses.....	35
Electrical Schematic.....	36
<b>Optional</b>	
Door Operation Options (Kicker).....	37
Electric Actuator.....	38
Light Bar Option (800/900 Beds).....	39
Light Bar (Non-800/900 Beds).....	40

# Specifications

<b>Power</b>	Hydraulic Electric Motor - Leeson 3/4 hp
<b>Capacity</b>	BC2000 - 46 cu. ft. - about 2000 lbs. w/ 3/4" range cubes or 900 lbs. of cotton seed
<b>Dimensions</b>	BC2000 - Length: 80 in Width: 42 in Height: 50.3 in
<b>Paint</b>	Durable 2-part Polyurethane
<b>Augers</b>	Two 6 inch diameter augers Left - 76 3/4 in long Right - 78 in long
<b>Options</b>	- Electronic Actuator for chute - Kicker for chute door

**NOTE:** Following publication of this manual, certain changes in standard equipment and options may have occurred which would not be included in these pages. Your Harper dealer is the best source for up-to-date information.

## Feature Identification

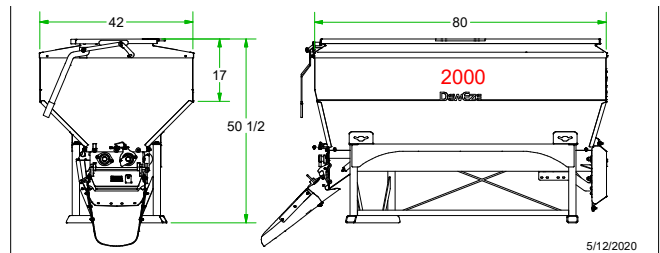


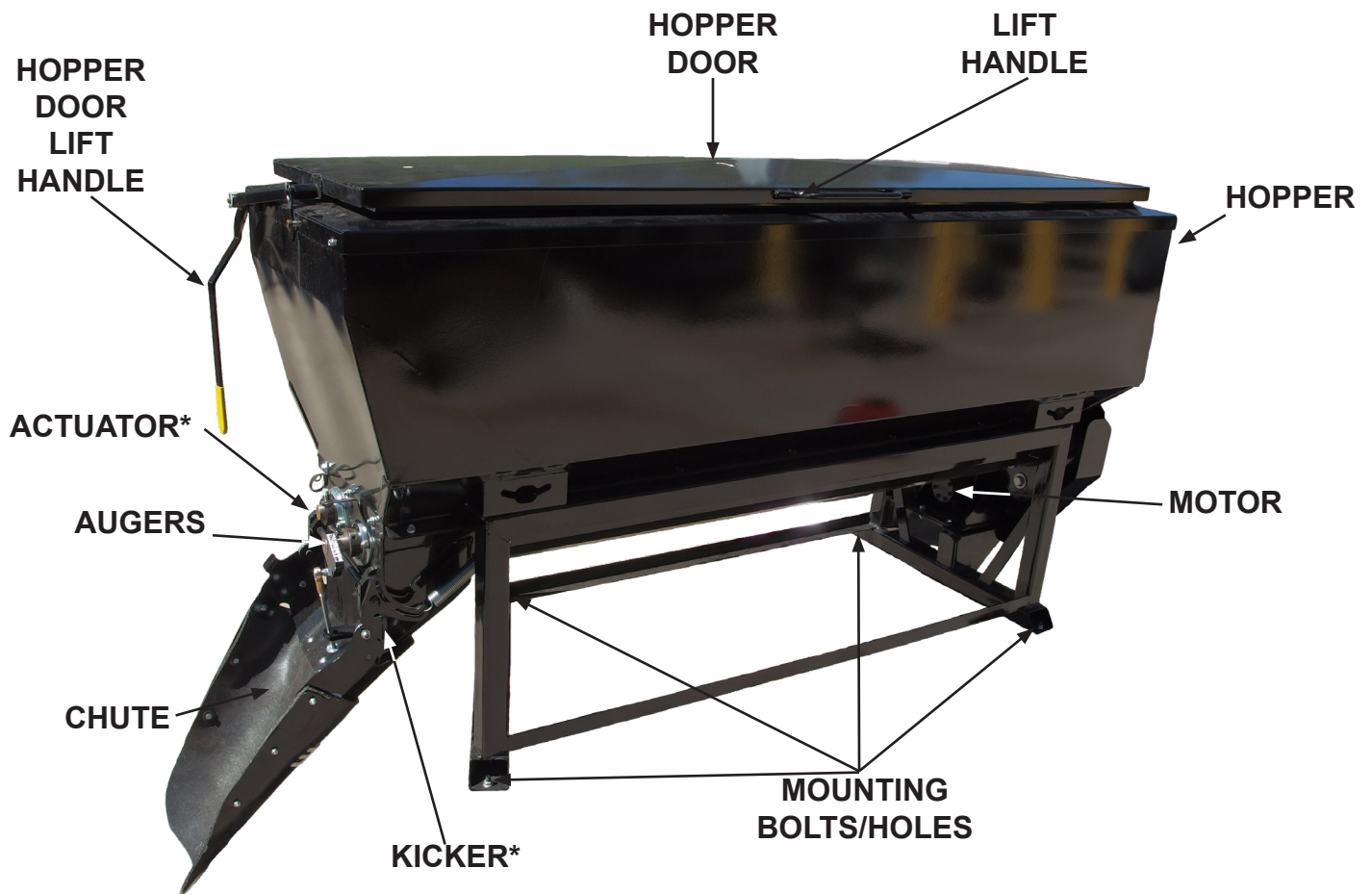
**AGITATOR**

**AGITATOR  
PIN**

**Agitator** - when rotating, it keeps seed from bridging, and breaks up bunches before it is fed into the augers.

**Agitator Pin** - when inserted, the agitator is engaged. This should only be engaged when feeding cotton seeds.





**Hopper Door Lift Handle** - used to open the hopper from the ground.

**Actuator\*** - raises and lowers the chute.

**Augers** - when rotating, push the feed out of the hopper and down chute.

**Chute** - made of rubber and can be raised for transport or lowered for distribution of feed.

**Kicker\*** - when attached it allows the door for the feed to be held in an open position.

**Mounting Holes/Bolts** - for mounting the Beefcake to the flatbed.

**Motor** - is a Leeson 3/4 hp used to power the dual augers.

**Hopper** - has three options of capacity: 1000, 1500, or 2000 lb limits based on choice of BC.

**Hopper Door** - has a weather proof strip on the inside edge of door to keep moisture out.

**Lift Handle** - used to open hopper when on the bale bed.

\* denotes optional attachments of the **Beefcake**.

# General Safety Guidelines

## Equipment & Controls

- Before operating this equipment, read and understand the Operator's Manual.
- Altering the unit in any way that adversely affects its safe operation, performance or durability will void the warranty and may cause hazardous conditions.
- Know the location and function of all controls and how to stop the equipment quickly in an emergency before you operate the unit.
- Keep all bolts, screws and fittings tight to ensure safe operation of equipment.

## Guards & Shields

- Keep all safety devices in place and in good operating condition.
- Replace all worn, damaged, unusable, missing or lost safety shields and guards before operating unit.

## Replacement Parts

- Use genuine factory parts or parts with equivalent characteristics including: type, strength and material.
- Replace locknuts and locking screws if they cannot be tightened without considerable resistance for several turns before they are completely tight.
- If hardware is not secure, or if fasteners are over-tightened, equipment failure may result posing possible safety hazards.
- Use proper torque specifications for all fasteners when they are replaced.



Failure to use genuine factory parts may result in voiding of the warranty, product malfunction or possible injury.



## Safety Decals

- If safety related or instructional decals become illegible or are removed, replace them immediately.
- If parts are replaced, make sure all safety related or instructional decals are present before the equipment is operated again.
- New decals may be obtained from your local Harper Dealer.

## Hydraulics

### To prevent serious injury or death:

- Relieve pressure on system before repairing, adjusting or disconnecting any hydraulic hose or fitting.
- Wear proper hand and eye protection when searching for leaks.
- Use wood or cardboard instead of hands when looking for leaks.
- Keep all hoses, fittings and components in good operating condition.
- Do not use any type of heat or flame (welding, soldering, cutting torch, etc.) near pressurized hydraulic lines.

 **SAFETY WARNING!**   
**HIGH-PRESSURE FLUID HAZARD!**  
Escaping fluid under pressure can penetrate skin causing serious injury or death.

# Installation

You can use select Deweze Balebeds to lift your new **Beefcake** on to the bed or one of many other options as long as safety, precaution and common sense are used.



## SAFETY WARNING!

Keep any objects or body extremities from beneath the Beefcake when loading and do not stand under the feeder when it is raised.

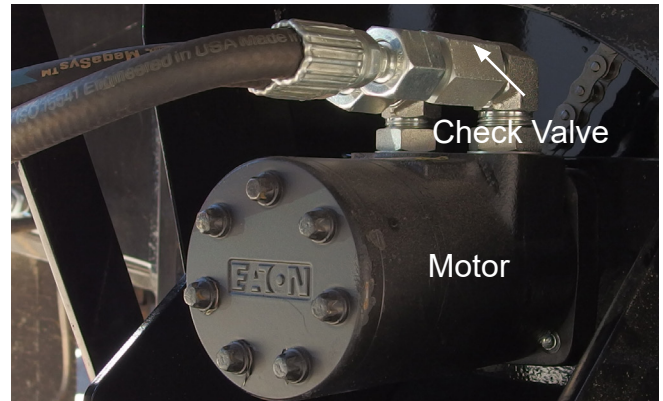
Next, position the Beefcake into place so that you can mark on the flatbed floor the location of the mounting holes for attaching the **Beefcake**. Align the mounting holes with stringers of the flatbed, and mark the (4) mounting holes for drilling, rotate the Beefcake to the back of your flatbed, and drill the (4) mounting holes.



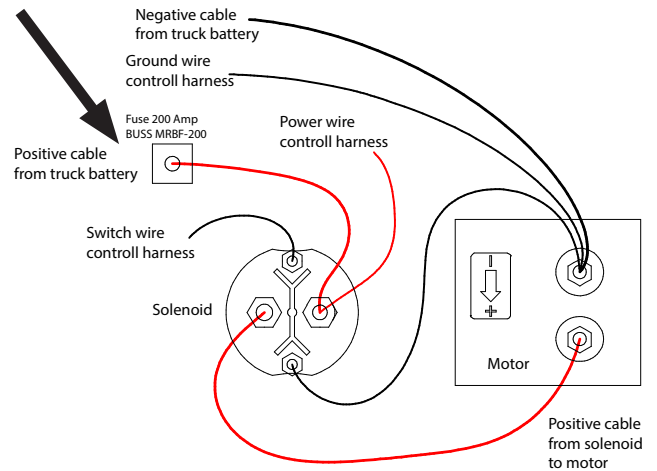
Put the Beefcake back in place where you marked and drilled the mounting holes. Attach with either the (4) mounting bolts included in your purchase or your own preferred size of mounting bolt that can fit into the predrilled mounting points on the Beefcake.

The final step depends on whether you have purchased the hydraulic or electric motor version of the Beefcake.

For the hydraulic, connect the hydraulic hoses that are attached to the Beefcake to your bed's hydraulic hookups located on the right side of the headache rack. There is a check valve pre-installed on your Beefcake. If by chance the augers do not run when activated, switch the hoses on the bed location. This will allow it to run correctly. There is also an electrical harness that will need positive and negative leads run from the feeder to the battery under the hood of the truck.

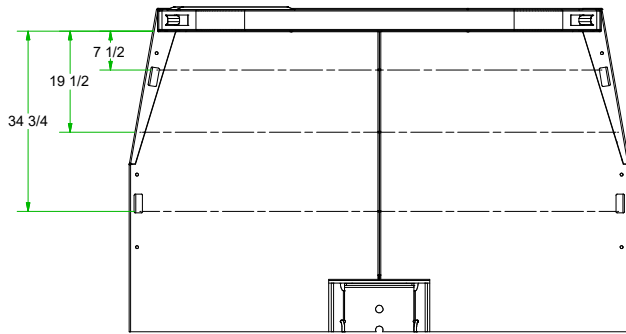


For the electric, attach the positive cable to the solenoid as depicted below, and run it to the positive end of the battery on the truck, and be sure to put the 200 Amp fuse on with the cable (this will protect the motor).

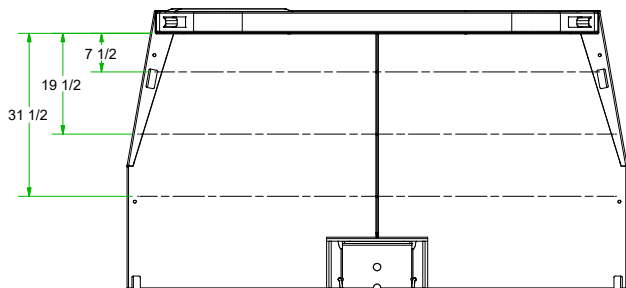


Also, If you prefer to operate either of the version (hydraulic or electric) from inside your truck, run the Beefcake controller to the inside of your truck.

## DewEze Flatbed Stringer Locations



684 & 784



676 & 776  
688 & 788



### Operating

When feeding cotton seed, insert agitator pin, and for any other feed remove pin.

See page 4 for location.

### Hydraulic Powered Beefcake

- Fill Beefcake with desired amount of feed or grain product.
- Lower the rubber chute to feeding position.
- Activate the hydraulic motor with the balebed's remote.

## Operating Instructions

### Before Operating

- Inspect inside the hopper and around the chain drive for the augers for any foreign objects. If any are found remove it/them.
- Be sure to check that all shields are in place and that all bolts or fasteners are tightened.

### Transporting

- When transporting the Beefcake, be sure that the hopper lid's lift handle has the safety latch in place so that the lid does not rise during transport due to wind.

Due to the check valve on this product, if it becomes clogged or stalls, it cannot be reversed to dislodge it. You must stop the feeder, shut off the unit's power, and disconnect the hydraulic hoses to relieve any pressure on the system before seeing to the problem.



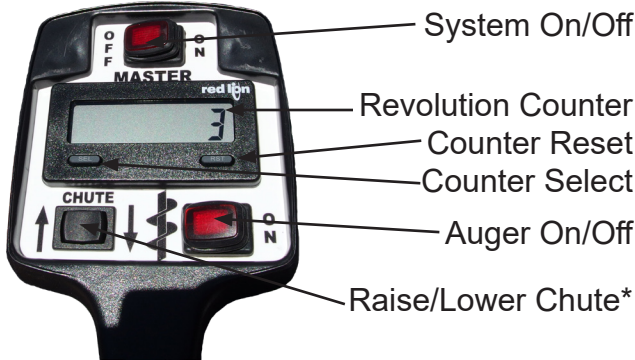
### **SAFETY WARNING!**

**Do not put hands into a plugged auger when there is pressure on the system. It can result in harm.**

- Do not use the hopper for long term storage of feed. It could create a corrosive environment and cause unwarranted wear on your machine.

## Electric Powered Beefcake

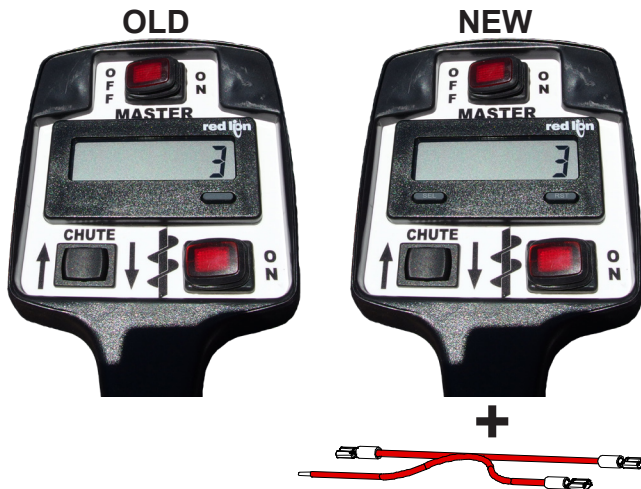
- Fill Beefcake with desired amount of feed or grain product.
- Lower the rubber chute to feeding position.
- Activate the electric motor with the Beefcake's remote.



\*Only available with the chute actuator option otherwise this switch serves no purpose.

## For Your Information

The controller for the Beefcake is used in both the hydraulic and electric version of the feeder. Currently, the only difference is that the auger is activated differently between the two options. The electric uses the auger on/off switch on the Beefcake remote, and the hydraulic uses the flatbeds hydraulic function to activate the auger. Aside from the auger, everything else on the Beefcake remote is universal.



**NOTE:** Old ONE BUTTON counters had a soldered battery and are obsolete. New counters have TWO BUTTONS and require a jumper wire to add constant power: **Page 34**

## Red Lion Cub5B Counter Factory Reset

### RESET:

Press RST and hold for 3 seconds & release.  
Press SEL 1 time.

### REPROGRAM:

Power off hand control then turn back on.  
Hold SEL for 3 seconds.

>>>> Screen will display "Pro No"

Press RST 3 times.

>>>> Screen will display "3-dsplay"

Press SEL 8 times.

>>>> Screen will display "Fact Set", "No"

Press RST 1 time.

>>>> Screen will display "Yes"

Press SEL 1 time.

>>>> Screen will display "Pro No"

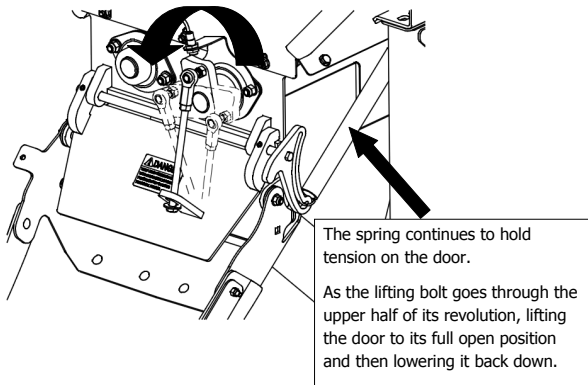
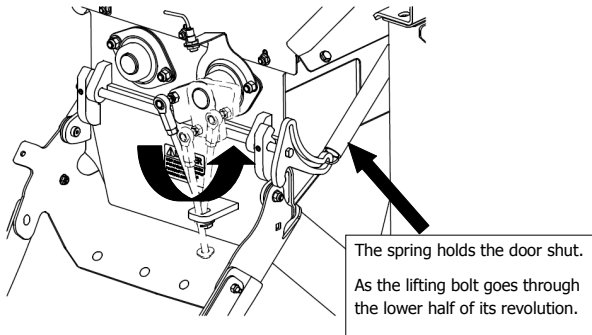
Press SEL 1 time.

Done

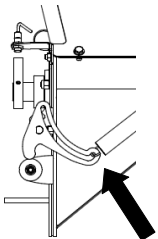
**NOTE:** Error code EE means an error occurred between the counter and the sensor. Ensure all wires are tightend and free of corrosion. Also look for nicks that could cause intermittent ground faults.

# Optional Door Operations

## Method #1 Door Lifting Mechanism and Operation

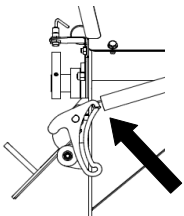


When it is in the closed position, it will create piles while operating. Whereas if it is in the open position, it will create a row while operating.



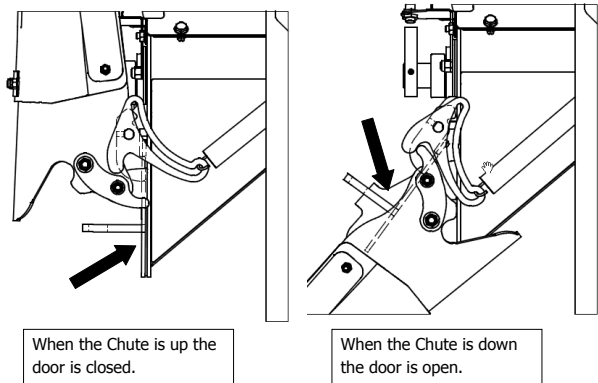
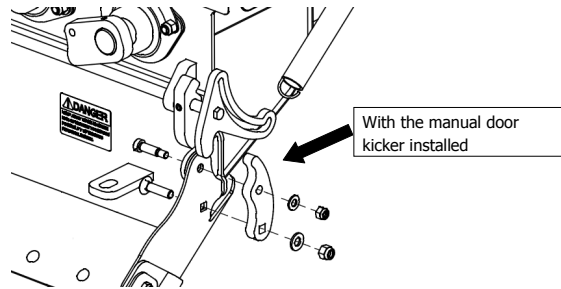
Changing the position of this spring holds the door **OPEN** or **CLOSED**

This is located on the right side of the chute as depicted by the image.



Reference **Page 37** for optional door lift parts

## Method #2 Kicker



The kicker is a great option for when you will always be making rows rather than piles with your feed.

**NOTE: USE ONLY ONE METHOD.**



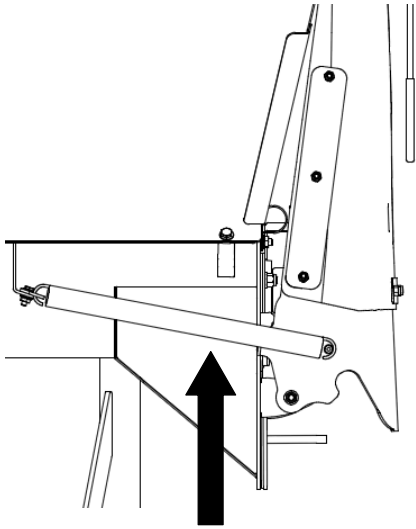
**CAUTION!**



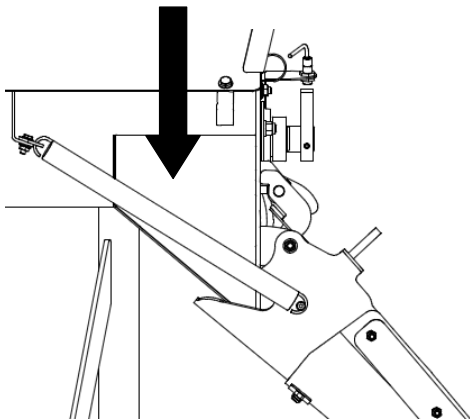
Using both optional methods at the same time will cause either the chain or actuator to fail.

# Optional Chute Operations

## Method #1 Standard



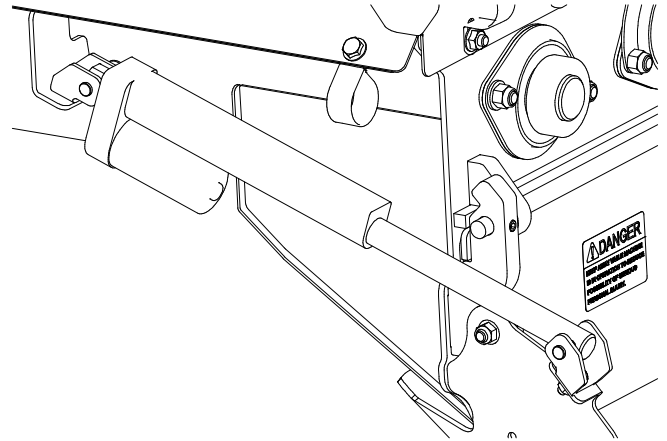
This spring holds the Chute either **UP** or **DOWN**



This is located on the left side of the chute as depicted by the image.

This is used for transportation so that the chute is not damaged in any way due to protruding from the side of the truck.

## Method #2 Actuator



The actuator replaces the spring that holds the chute either an up or down position. It allows the operator to manage the chute from the comfort of the seat or whatever their location is. See page 7 for details on the switch for the actuator.

## DewEze Electric Beefcake

### Electrical Minimum Requirements

#### Cable Requirements

All Electric Beefcake models are supplied with 18FT 2GA welding cable leads for hook-up to truck battery — This is maximum length for this cable

If a longer length is desired refer to chart below for minimum cable size

18FT	25FT	30FT	35FT	40FT
Supplied	"0" Gauge	"00" Gauge	"00" Gauge	"000" Gauge

Cables of new length must be built from single cables without splices or connections — Cable ends must be properly crimped or soldered

#### Electrical Supply Requirements

Beefcake electric feeders require a stable power source:

- Batteries must be in good condition and should be fully charged (12.7V standing)
- Truck Charging System must operational (14V+ if engine running)
- All electrical connections must be good (checked with voltmeter, not visually)

**Batteries at 12.1 Volts are not fully charged they are actually 50% discharged**

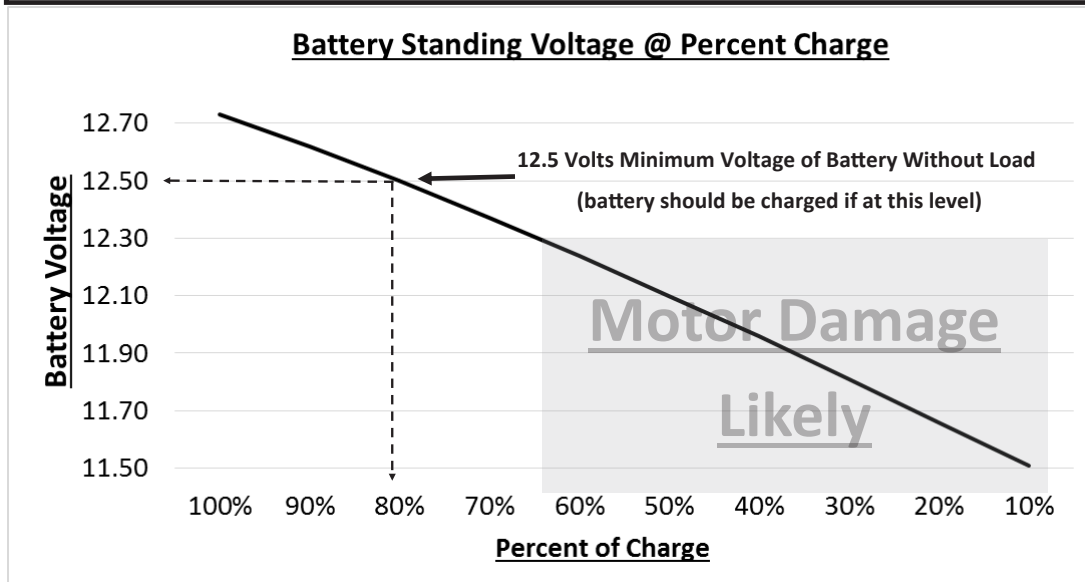


Chart Shows the unloaded voltage of a good battery at a particular charge level this is for reference only — actual battery charge and capacity should be determined by load testing of the battery

2/12/19

# PARTS



# Table of Contents

## PARTS SECTION

### Structure

Cake Feeder Assy.....	16
Cake Feeder Stand (2017).....	17
Auger & Trough Assy (2021).....	18-19
Auger Orientation.....	20
Drive Chains Adjustment & Tension.....	21
Lid & Frame Assy.....	22
Lift Handle & Latch/Drive Shield.....	23
Agitator Drive Assy.....	24
Agitator Assy.....	25
Chute Extension Assy.....	26
Cake Feeder Dummy Arms.....	27
Drive Shield.....	28
Decals.....	29

### Hydraulic/Electric

Hydraulic Drive (2021).....	30
Electric Drive (2021).....	31
Electric Drive (2017).....	32
Hand Control & Harness (2017).....	33-34
Hand Control & Harness (2020).....	35-36
Electrical Schematic.....	37

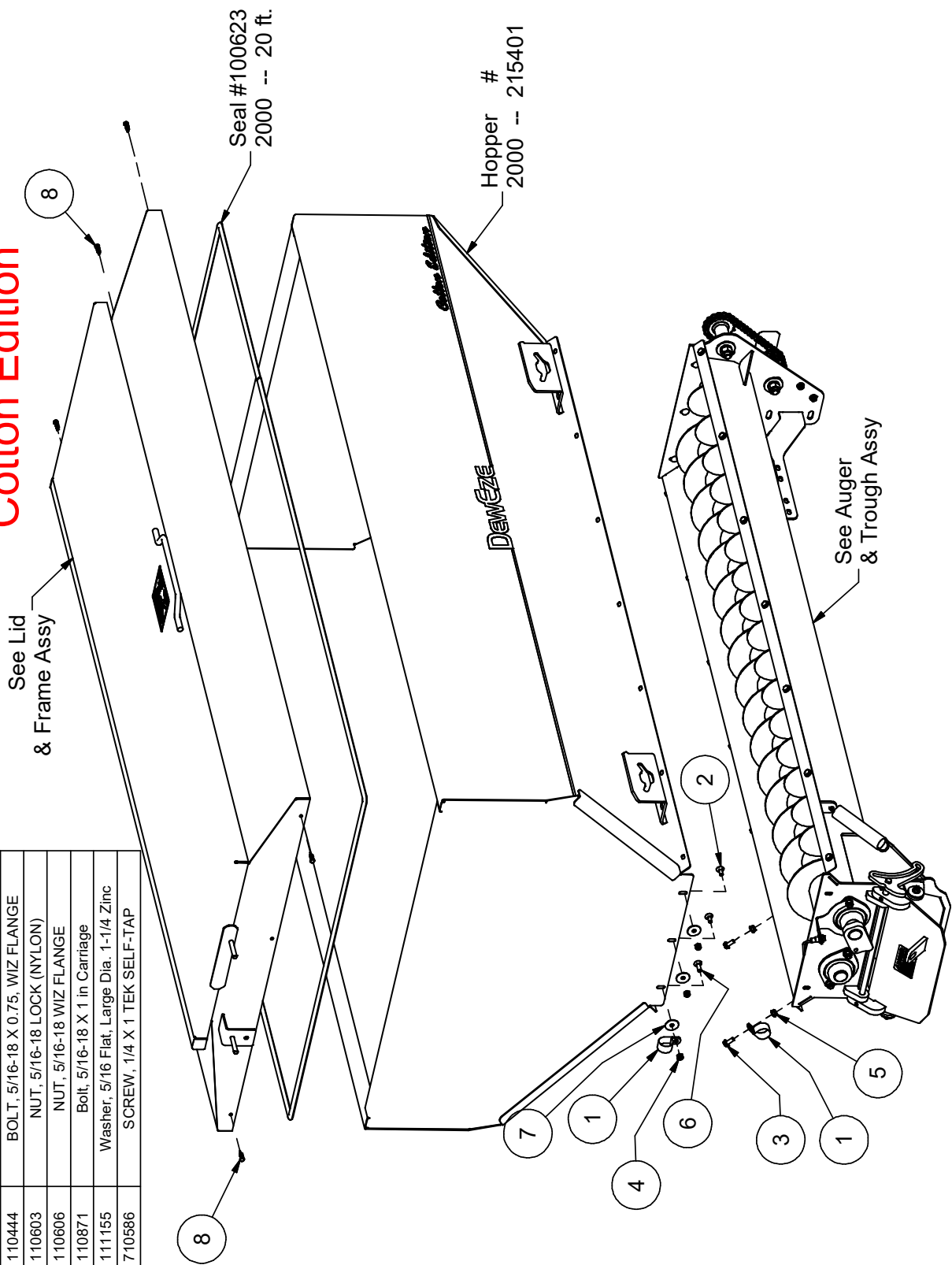
### Optional

Door Operation Options (Kicker).....	38
Electric Actuator.....	39
Light Bar Option.....	40

# Cake Feeder Assembly Cotton Edition

Parts List

ITEM	QTY	PART #	DESCRIPTION
1	6	102074	Clamp, Adel. .75w x 1.25id x .406 Hole
2	5	110020	Bolt, 5/16-18 X 0.75 in Carriage
3	14	110444	BOLT, 5/16-18 X 0.75, WIZ FLANGE
4	6	110603	NUT, 5/16-18 LOCK (NYLON)
5	14	110606	NUT, 5/16-18 WIZ FLANGE
6	1	110871	Bolt, 5/16-18 X 1 in Carriage
7	6	111155	Washer, 5/16 Flat, Large Dia. 1-1/4 Zinc
8	7	710586	SCREW, 1/4 X 1 TEK SELF-TAP

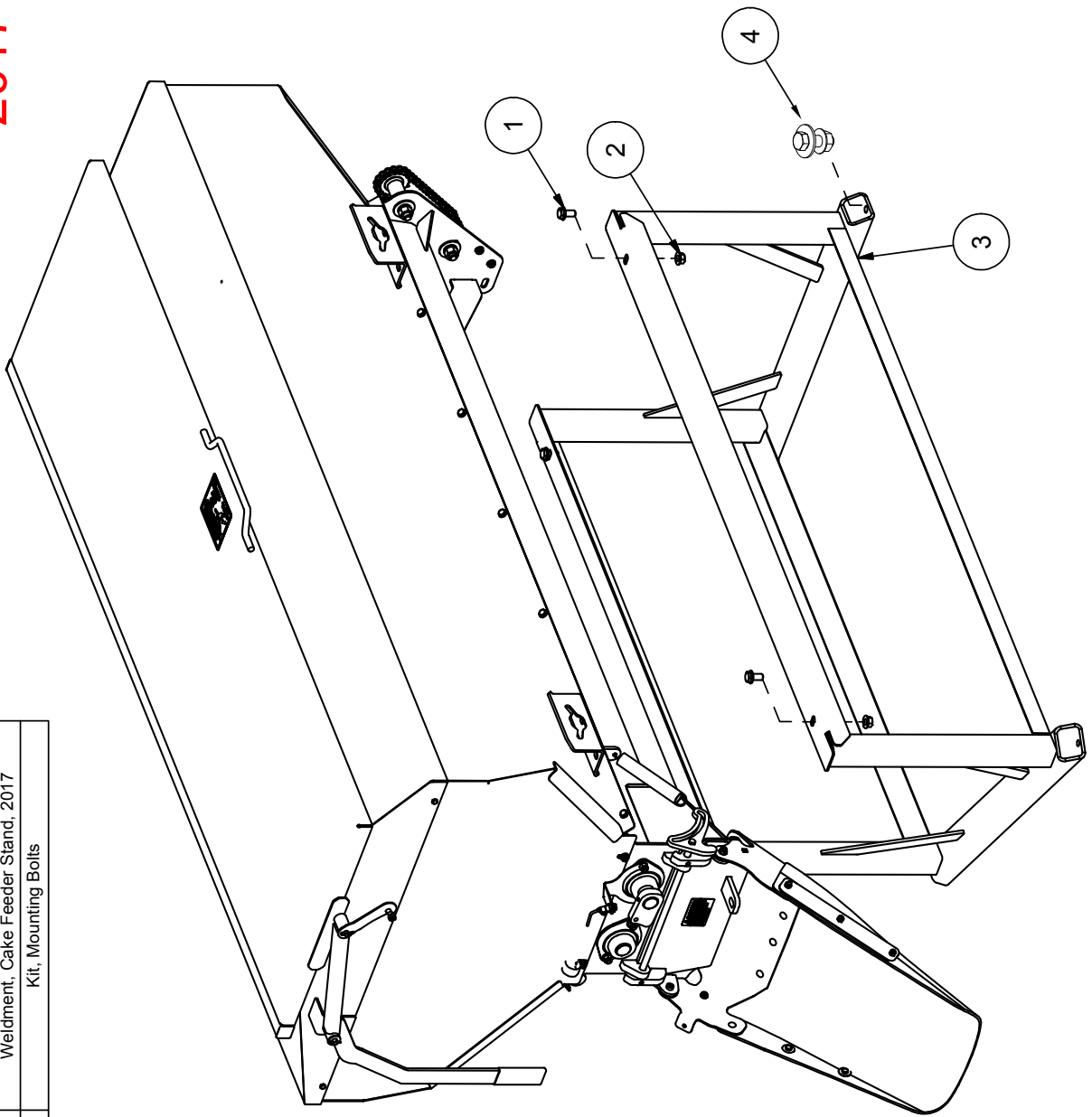


1/3/2019

# Cake Feeder Stand 2017

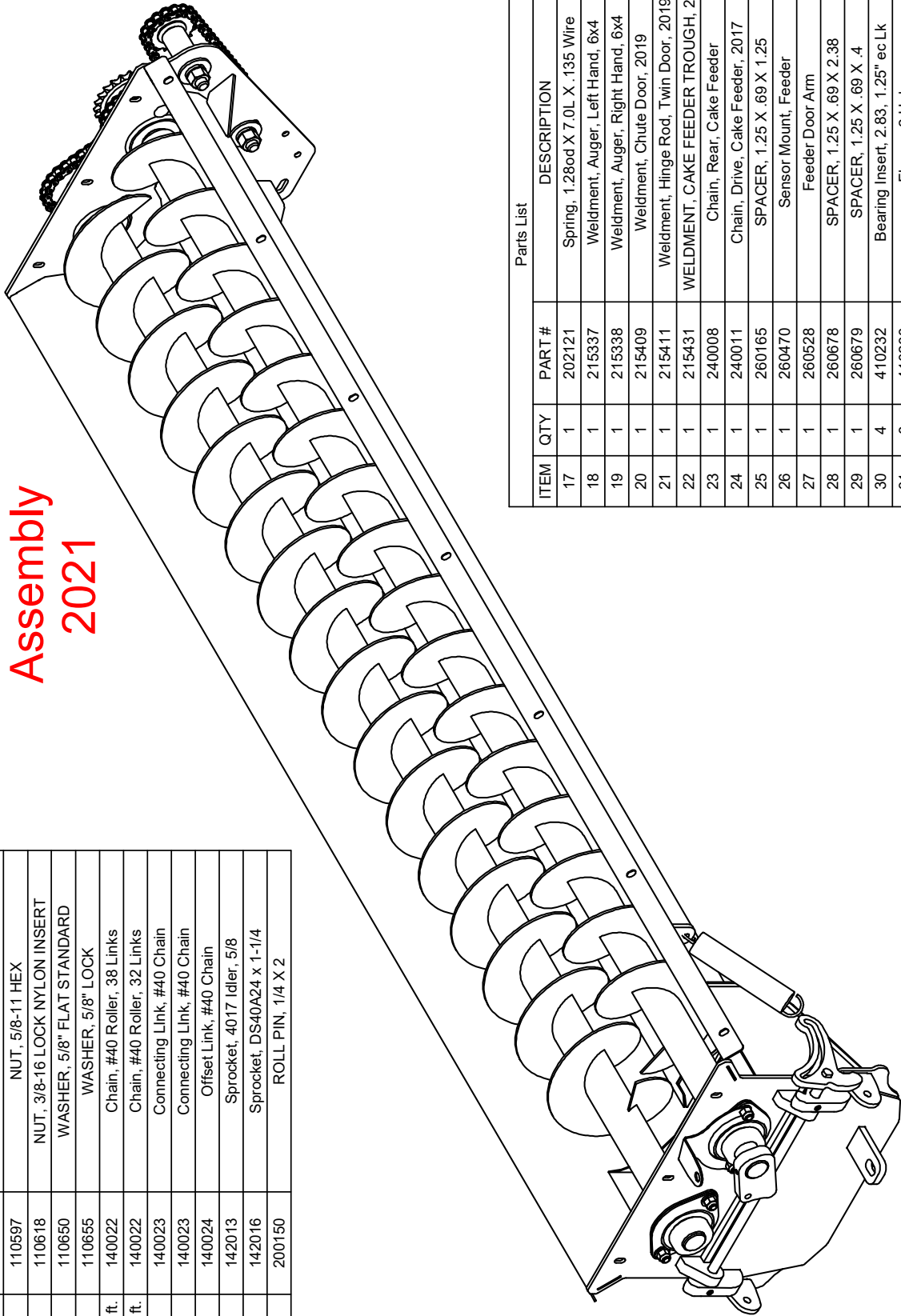
Parts List

ITEM	QTY	PART #	DESCRIPTION
1	4	110220	BOLT, 1/2-13 X 1, WIZ FLANGE
2	4	110588	NUT, 1/2-13 WIZ FLANGE
3	1	215376	Weldment, Cake Feeder Stand, 2017
4	4	205136	Kit, Mounting Bolts



Parts List		
ITEM	QTY	PART # DESCRIPTION
1	3 ft	100613 Lid Seal, .50 x .187 x 36
2	6	110155 WASHER, 3/8" FLAT SAE
3	8	110556 Bolt, 3/8-16 X 1 in Carriage
4	2	110562 BOLT, 5/8-11 X 4.5
5	2	110597 NUT, 5/8-11 HEX
6	8	110618 NUT, 3/8-16 LOCK NYLON INSERT
7	2	110650 WASHER, 5/8" FLAT STANDARD
8	2	110655 WASHER, 5/8" LOCK
9	3.2 ft.	140022 Chain, #40 Roller, 38 Links
10	2.7 ft.	140022 Chain, #40 Roller, 32 Links
11	1	140023 Connecting Link, #40 Chain
12	1	140023 Connecting Link, #40 Chain
13	1	140024 Offset Link, #40 Chain
14	3	142013 Sprocket, 4017 Idler, 5/8
15	1	142016 Sprocket, DS40A24 x 1-1/4
16	1	200150 ROLL PIN, 1/4 X 2

# Auger & Trough Cotton Edition Assembly 2021

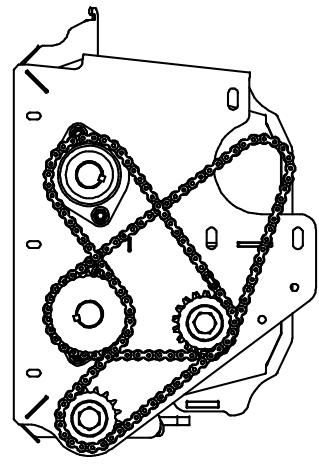
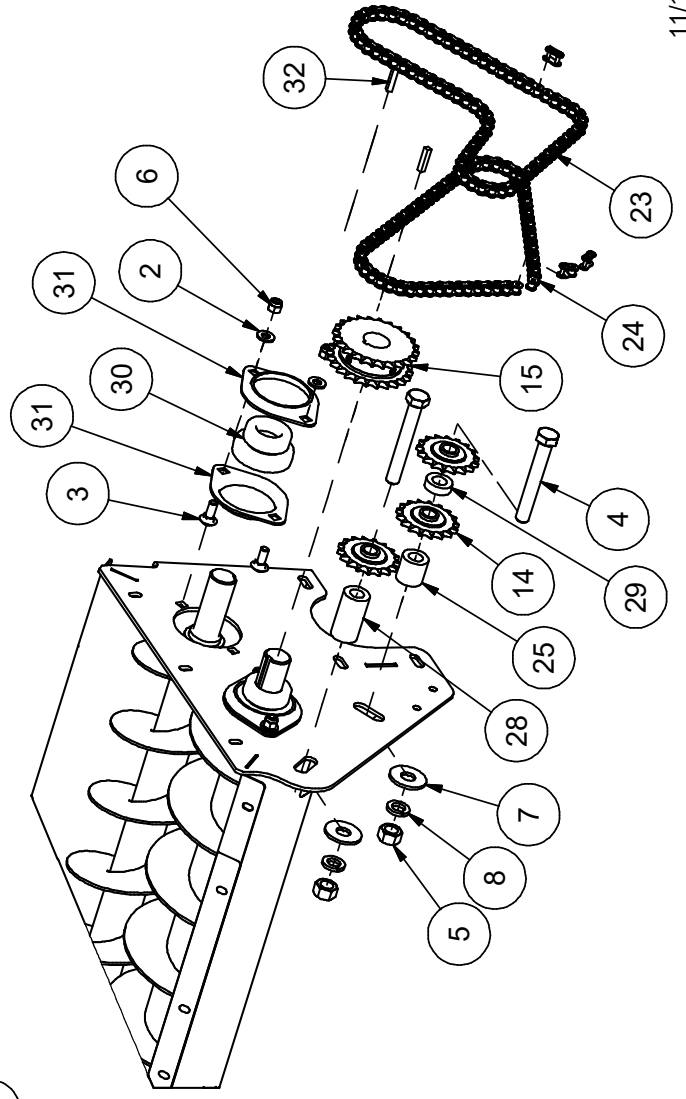
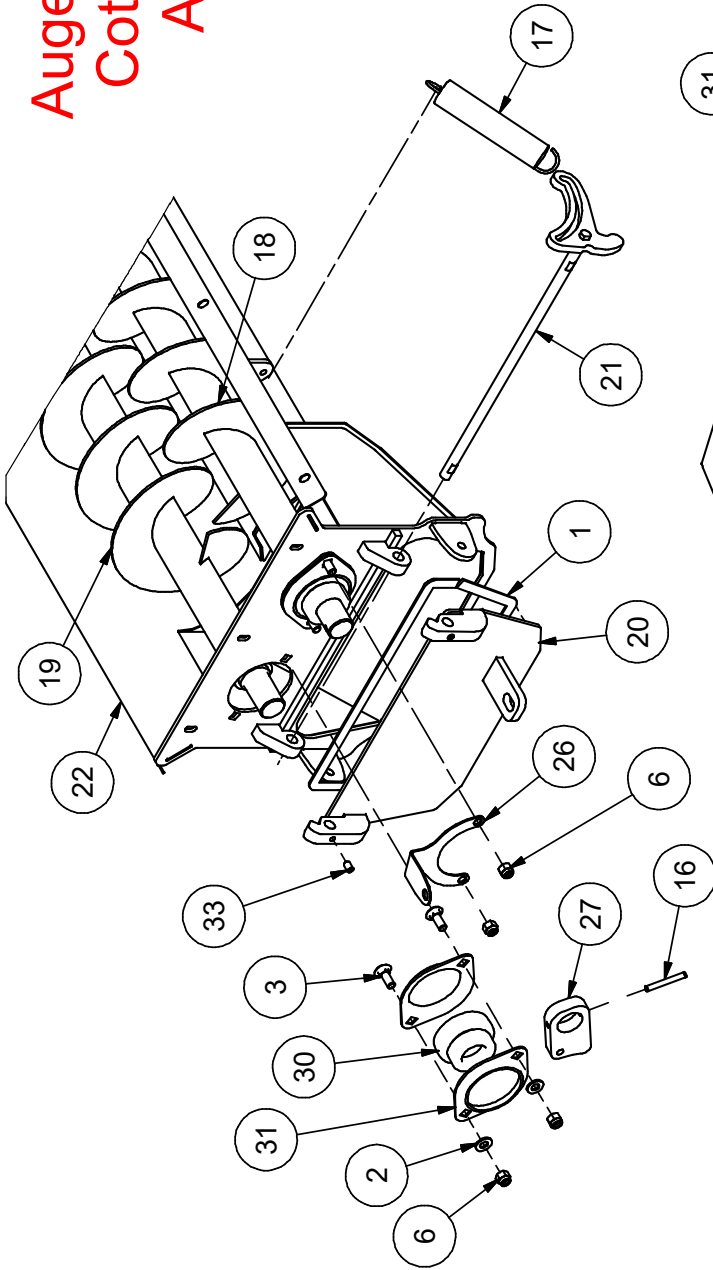


Parts List		
ITEM	QTY	PART # DESCRIPTION
17	1	202121 Spring, 1.280d X 7.0L X .135 Wire
18	1	215337 Weldment, Auger, Left Hand, 6x4
19	1	215338 Weldment, Auger, Right Hand, 6x4
20	1	215409 Weldment, Chute Door, 2019
21	1	215411 Weldment, Hinge Rod, Twin Door, 2019
22	1	215431 WELDMENT, CAKE FEEDER TROUGH, 2021
23	1	240008 Chain, Rear, Cake Feeder
24	1	240011 Chain, Drive, Cake Feeder, 2017
25	1	260165 SPACER, 1.25 X .69 X 1.25
26	1	260470 Sensor Mount, Feeder
27	1	260528 Feeder Door Arm
28	1	260678 SPACER, 1.25 X .69 X 2.38
29	1	260679 SPACER, 1.25 X .69 X .4
30	4	410232 Bearing Insert, 2.83, 1.25" ec Lk
31	8	410233 Flange, 2 Hole
32	2	510089 Key, 1/4 X 1/4 X 1.25, Under
33	2	510254 SetScrew, 5/16-18 X 0.5

11/18/2021

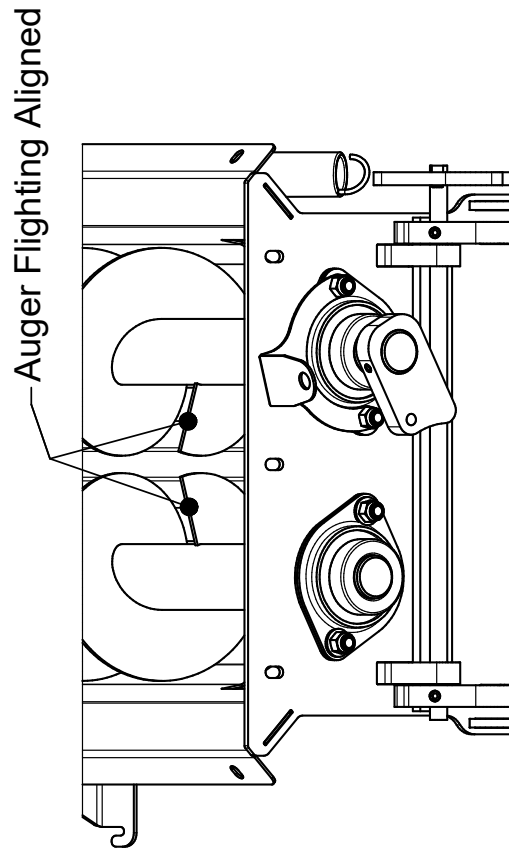
# Auger & Trough Cotton Edition Assembly 2021

11/18/2021

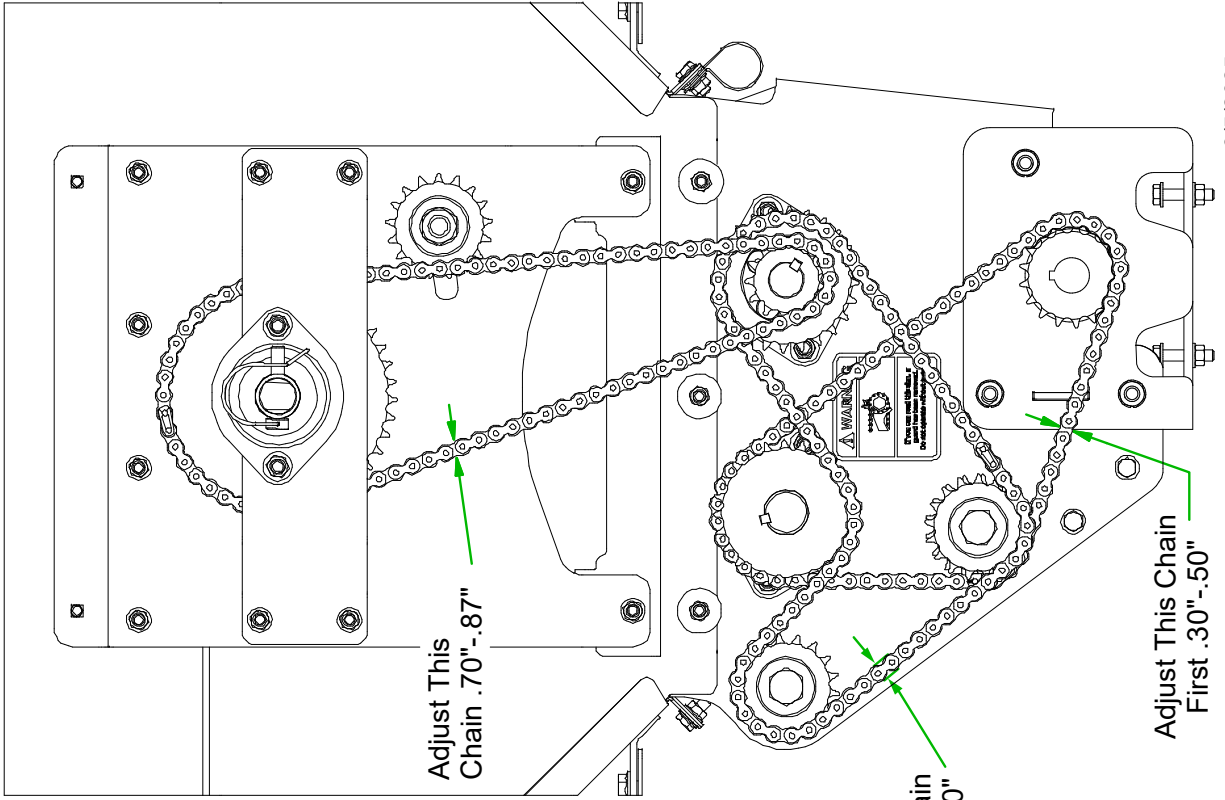
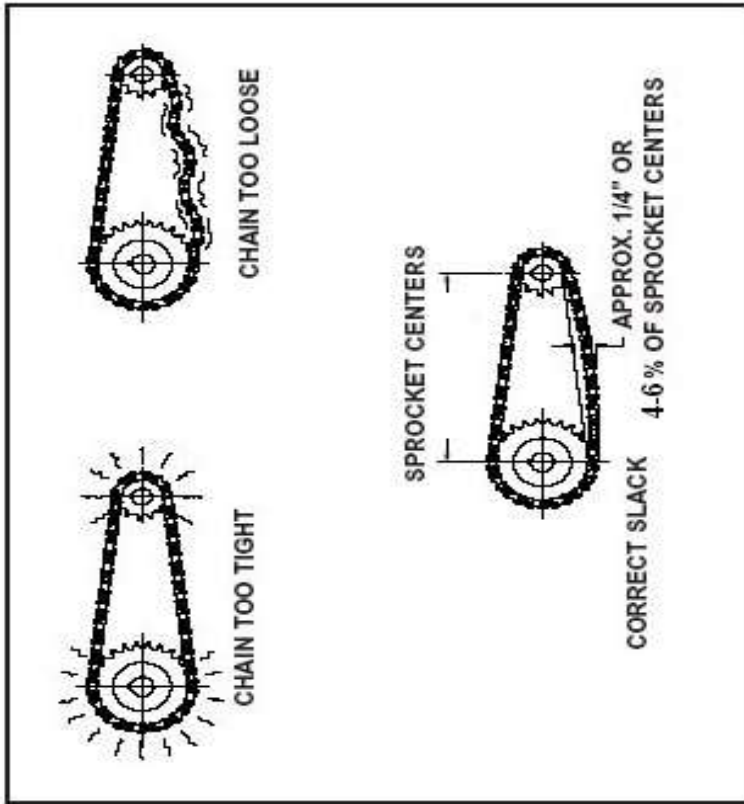


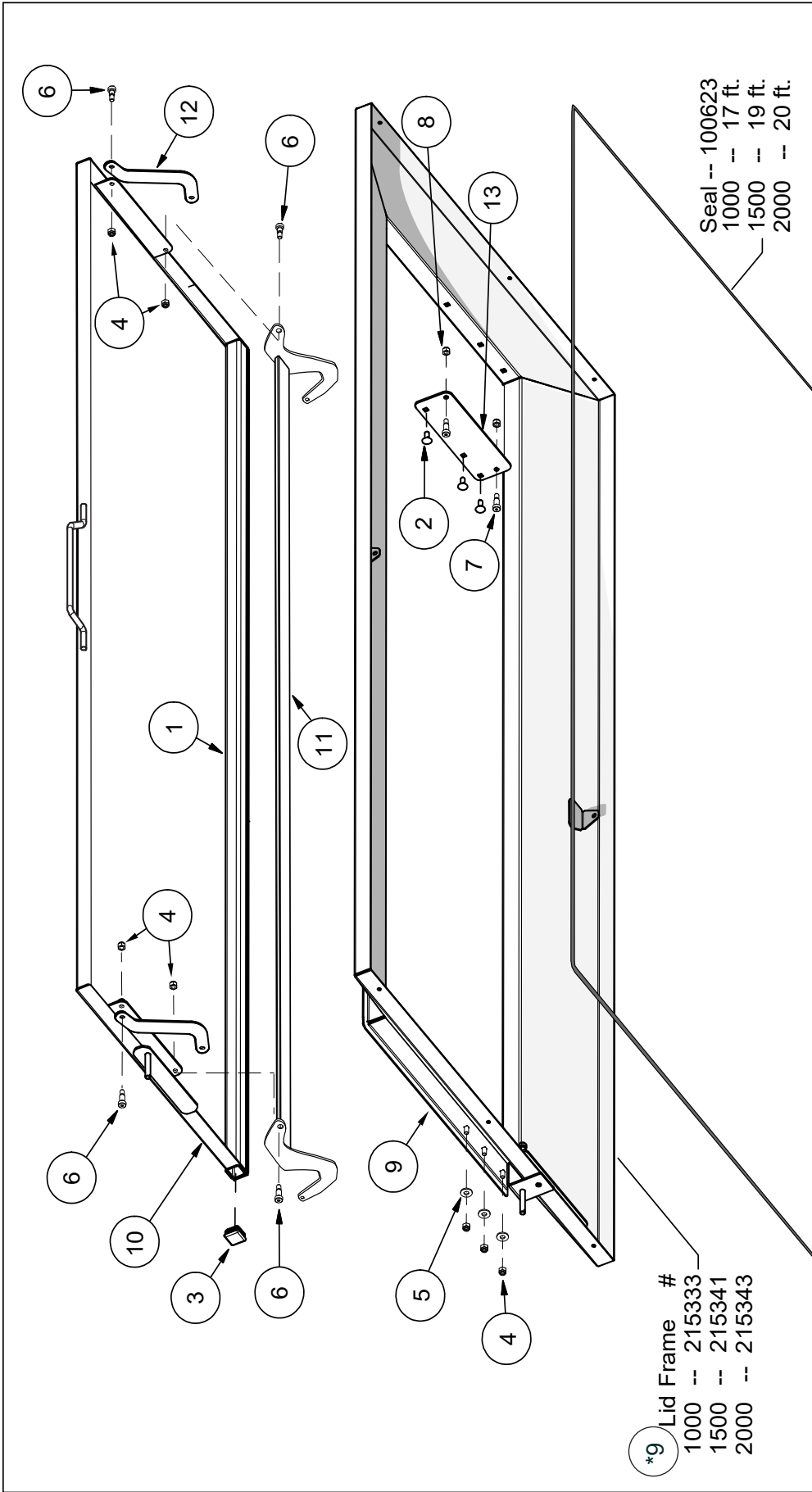
Chain Routing

# Auger Orientation Beefcake Feeder



# Drive Chains Adjustment & Tension





ITEM	QTY	PART #	DESCRIPTION
1	16ft	100613	Lid Seal, .50 X .187 X 192
2	6	110020	Bolt, 5/16-18 X 0.75 In Carriage
3	2	110313	1-1/4 Sq Plug
4	10	110600	Nut, 5/16-18, Hex Lock 2 Way
5	6	110665	Washer, 5/16" Flat Standard
6	4	111279	Bolt, 3/8 X 3/8 Shoulder Shcs, Zinc
7	4	111280	Bolt, 1/2 X 5/8 Shoulder Shcs, Zinc
8	4	111281	Nut, 3/8-16 Center Lock, Gr 2, Zinc
9	1	<b>See *</b>	Weldment, Lid Frame
10	1	215334	Weldment, Feeder Lid
11	1	215475	Weldment, Lid Hinge W/ Updated Holes
12	2	260947	Lid Hinge W/ Updated Holes, Short
13	2	260948	Lid Hinge W/ Updated Holes, Side Mount

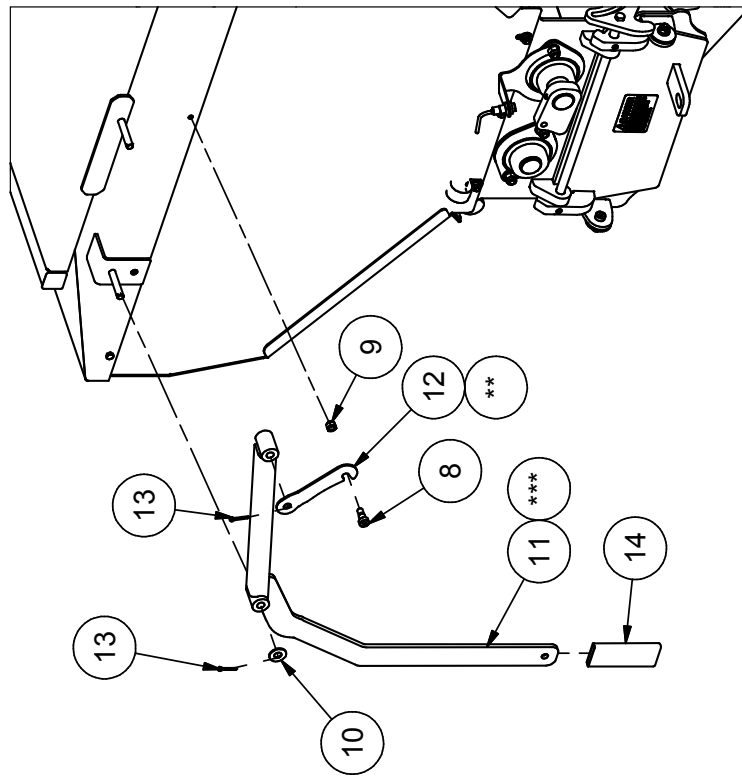
↑

**Lid & Frame Assembly**

View looking up from underneath

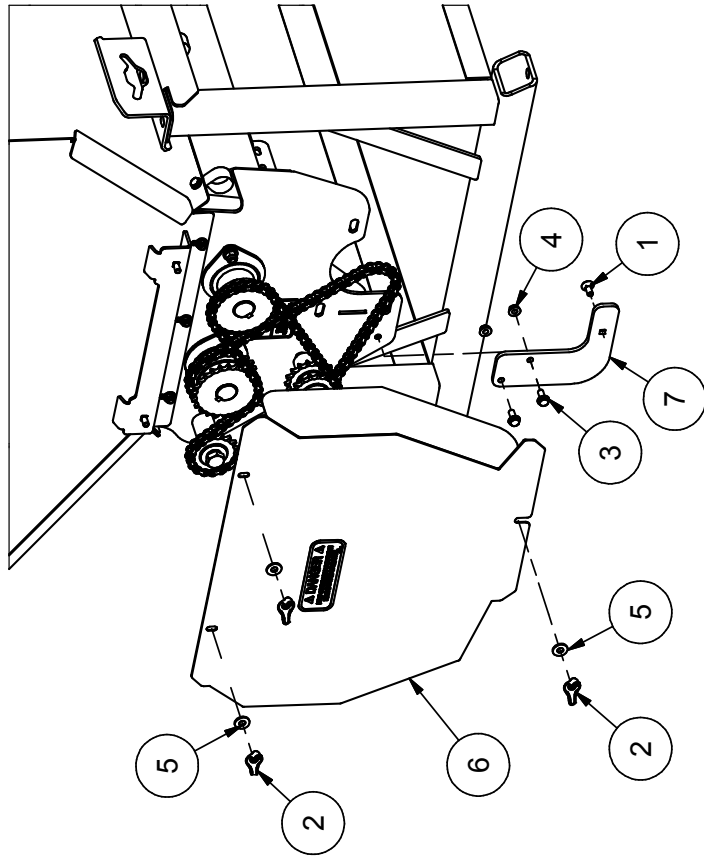
NOTE: #6 & #7 Shoulder Bolts are Different Lengths

# Lift Handle & Latch



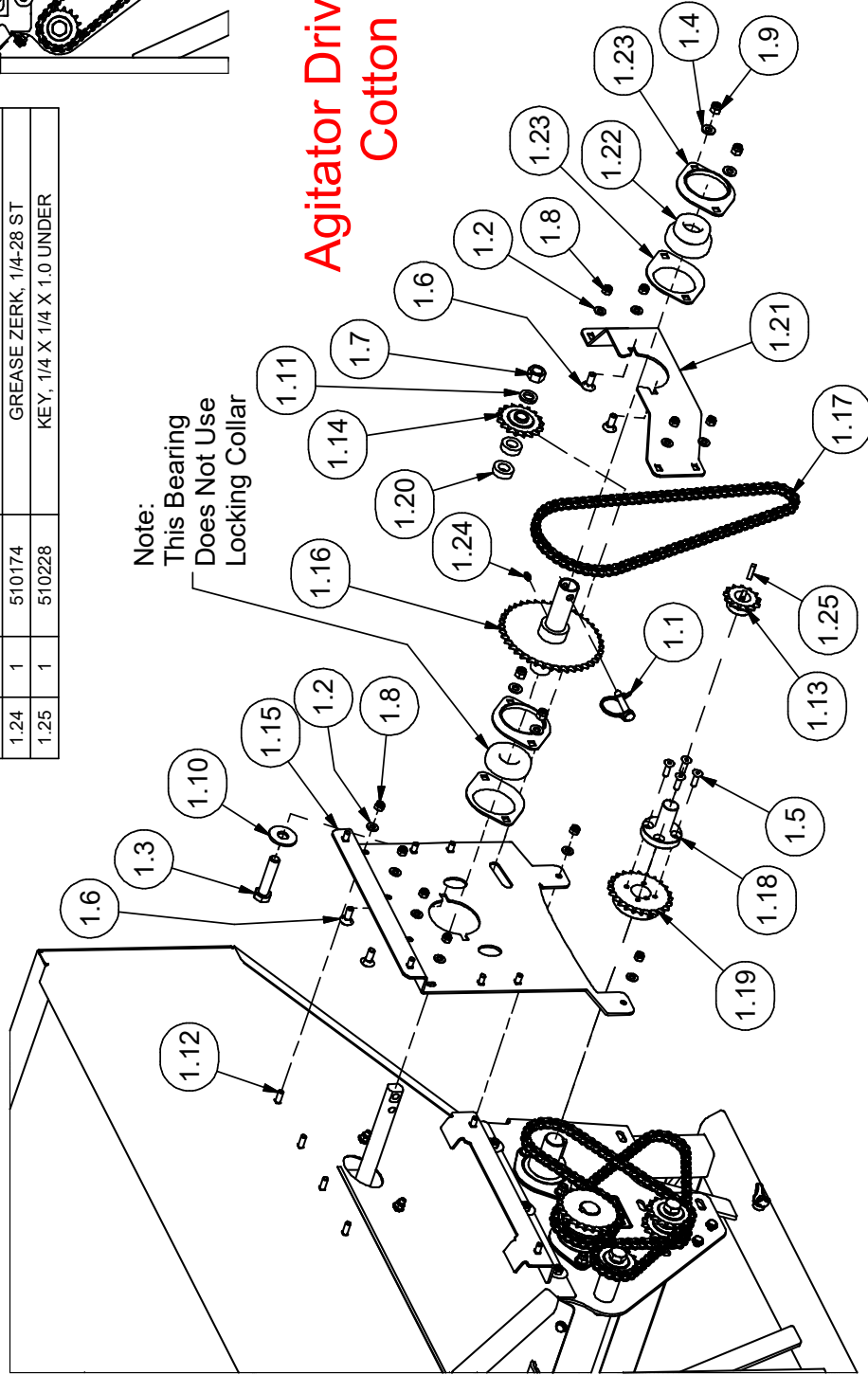
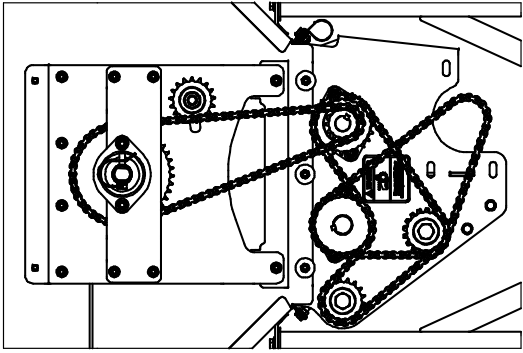
ITEM		QTY	PART #	DESCRIPTION
8	1	110439	BOLT, 3/8 X 3/8 SHOULDER SHCS	
9	1	110603	NUT, 5/16-18 LOCK (NYLON)	
10	1	110676	WASHER, 3/8" FLAT STANDARD	
11	1	215318	Weldment, Lid Lift Bar, External, 1000 & 1500	
***	1	215346	Weldment, Lid Lift Bar, External, 2000	
12	1	260549	Lid Latch, 1500 & 2000	
**	1	260529	Lid Latch, 1000	
13	2	510249	COTTER PIN, 1/8 X 0.75	
14	1	910044	COVER, VINYL .25 X 1.5 X .4 GRIP	

# Drive Shield 2017



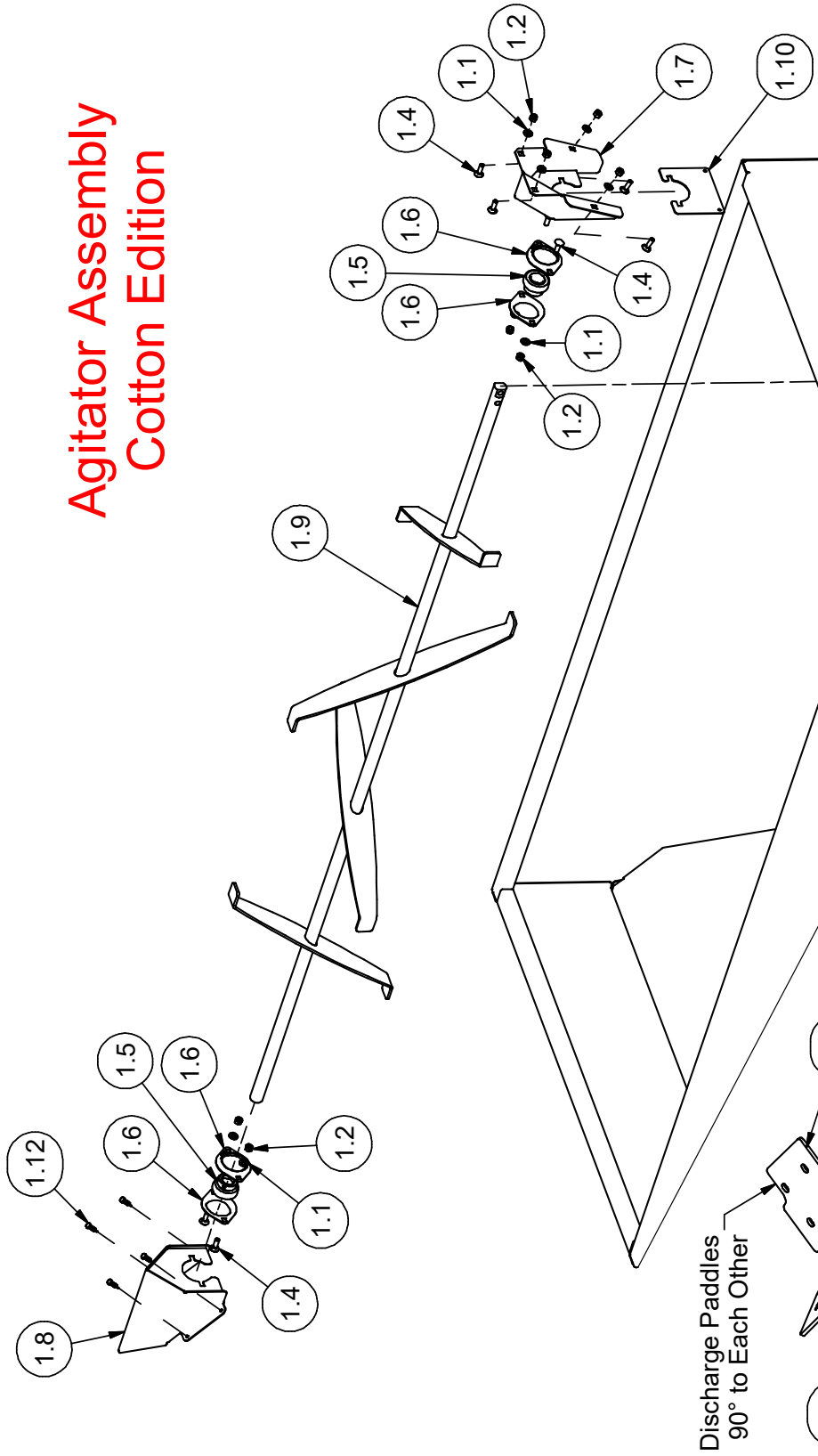
ITEM		QTY	PART #	DESCRIPTION
1	1	110020	Bolt, 5/16-18 X 0.75 in Carriage	
2	3	110327	NUT, 5/16-18 WING	
3	2	110444	BOLT, 5/16-18 X 0.75, WIZ FLANGE	
4	2	110606	NUT, 5/16-18 WIZ FLANGE	
5	3	110665	WASHER, 5/16" FLAT STANDARD	
6	1	215379	Weldment, Shield, Feeder, 2017	
7	1	260670	Shield Support	

Parts List		Parts List					
ITEM	QTY	PART #	DESCRIPTION	ITEM	QTY	PART #	DESCRIPTION
1.1	1	102118	Pin, Lock .375 X 1.5, Rnd Wire	1.12	2	110871	Bolt, 5/16-18 X 1 in Carriage
1.2	8	110069	WASHER, 5/16" FLAT SAE	1.13	1	142012	Sprocket, 40T3 x 1
1.3	1	110087	BOLT, 5/8-11 X 2.75	1.14	1	142013	Sprocket, 40T7 Idler, 5/8
1.4	4	110155	WASHER, 3/8" FLAT SAE	1.15	1	215402	Weldment, Bearing Mnt Plate, Agitator Drive
1.5	4	110328	BOLT, 5/16-18 X 1 FLT HD SKT	1.16	1	215406	Weldment, Agitator Drive Sprocket
1.6	4	110556	Bolt, 3/8-16 X 1 in Carriage	1.17	1	240012	Chain, Drive, Cotton Seed Agitator
1.7	1	110597	NUT, 5/8-11 HEX	1.18	1	242008	Stub Shaft, Agitator Drive
1.8	8	110603	NUT, 5/16-18 LOCK (NYLON)	1.19	1	242009	Sprocket, 40B24 x 1-1/4, Agitator Drive
1.9	4	110618	NUT, 3/8-16 LOCK NYLON INSERT	1.20	2	260679	SPACER, 1.25 X .69 X .4
1.10	1	110650	WASHER, 5/8" FLAT STANDARD	1.21	1	260745	Bearing Support, Agitator Drive
1.11	1	110655	WASHER, 5/8" LOCK	1.22	1	410232	Bearing Insert, 2.83, 1.25" ec Lk
				1.23	4	410233	Flange, 2 Hole
				1.24	1	510174	GREASE ZERK, 1/4-28 ST
				1.25	1	510228	KEY, 1/4 X 1/4 X 1.0 UNDER



# Agitator Drive Assembly Cotton Edition

# Agitator Assembly Cotton Edition



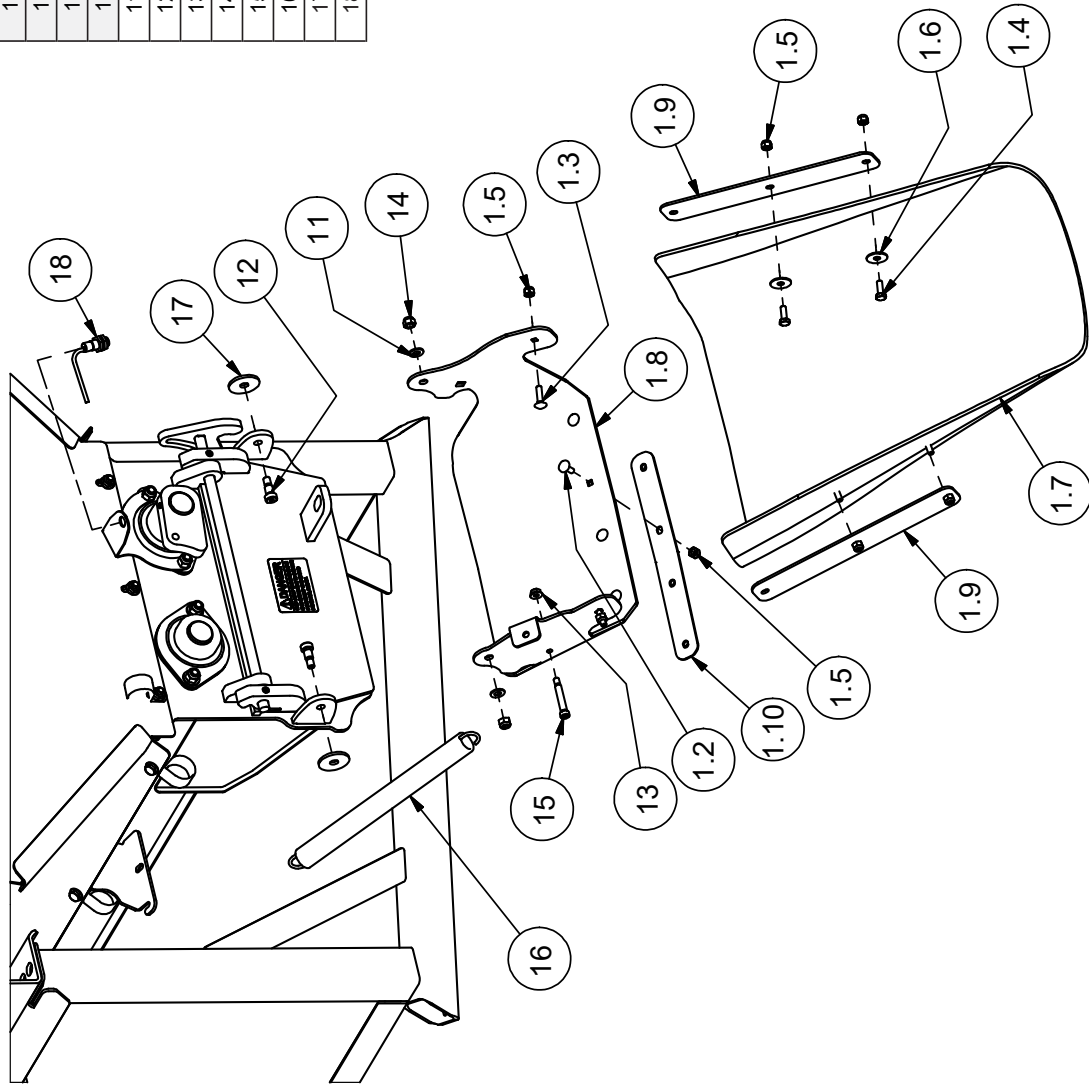
Parts List

ITEM	QTY	PART #	DESCRIPTION
1.1	8	110069	WASHER, 5/16" FLAT SAE
1.2	8	110603	NUT, 5/16-18 LOCK (NYLON)
1.3	4	110757	CLAMP, 1 3/4" EXHAUST
1.4	8	110871	Bolt, 5/16-18 X 1 in Carriage
1.5	2	142018	Bearing, 52mm Spherical O.D., 1.0 I.D., Ecc Lock
1.6	4	142019	Flange, 52mm, 2 Bolt
1.7	1	215403	Weldment, Bearing Mnt Right, Agitator Shaft
1.8	1	215404	Weldment, Bearing Mnt Left, Agitator Shaft
1.9	1	215405	Weldment, Agitator Shaft
1.10	1	260750	Bearing Shield
1.11	2	260751	Agitator, Discharge Plate
1.12	4	710586	SCREW, 1/4 X 1 TEK SELF-TAP

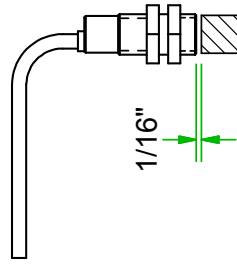
Discharge Paddles  
90° to Each Other

Use Blue  
Loctite

# Chute Extension Assembly 2017



Proximity  
Sensor  
Part #235027



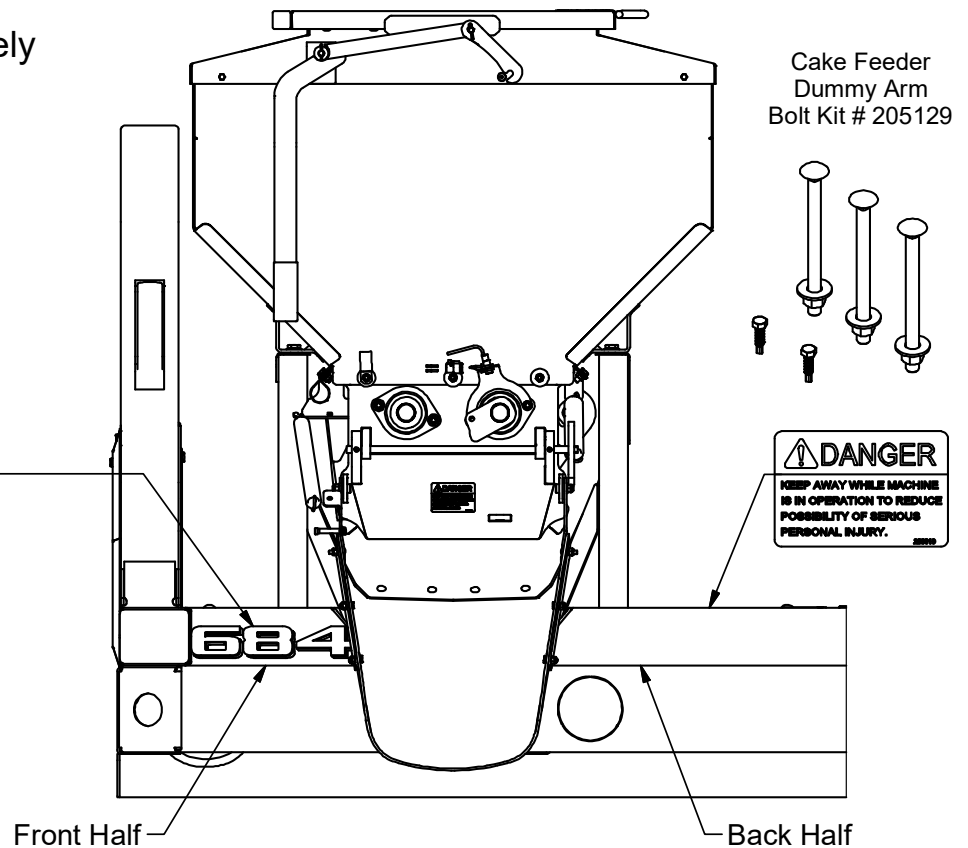
ITEM	QTY	PART #	DESCRIPTION
1	1	275006	Kit, Chute Extension
1.2	4	110154	Bolt, 1/4-20 X 0.75 In Carriage
1.3	2	110326	Bolt, 1/4-20 X 1 In Carriage
1.4	4	110561	Bolt, 1/4-20 X .75
1.5	10	110630	Nut, 1/4-20 Lock (Nylon Insert)
1.6	4	111033	Washer, 1/4" X 1" Od, Plain
1.7	1	260473	Rubber Chute
1.8	1	260534	Chute Extension
1.9	2	260536	Chute Extension, Side Support
1.10	1	260537	Chute Extension, Doubler Plate
11	2	110069	Washer, 5/16" Flat Sae
12	2	110289	Bolt, 3/8 X 1/2 Shoulder Shcs
13	1	110290	Nut, 1/4-20 W/z Flange
14	2	110603	Nut, 5/16-18 Lock (Nylon)
15	1	110767	Bolt, 5/16 X 1.5 Shoulder Shcs
16	1	202088	Spring, 1.06od X 12l X .135 Wire
17	2	211747	Friction Washer 1.5"
18	1	235027	Sensor, Proximity, With Plug

2/20/2017

Flatbed Model #	Standard Dummy Arm	Cake Feeder Dummy Arms			
		2000			
		Front Half	Back Half		
<b>675</b>	215150	NA	NA		
<b>676</b>	215249	NA	NA		
<b>677</b>	215191	NA	NA		
<b>679</b>	215208	215355	215356		
<b>682</b>	215145	NA	NA		
<b>684</b>	215193	215360	215356		
<b>687</b>	215198	215360	215361		
<b>688</b>	215200	215360	215362		
<b>778</b>	215160	NA	NA		
<b>776</b>	215257	NA	NA		
<b>782</b>	215158	NA	NA		
<b>784</b>	215202	215367	215372		
<b>787</b>	215204	215367	215373		
<b>788</b>	215206	215367	215374		

Decals Must Be Purchased Separately

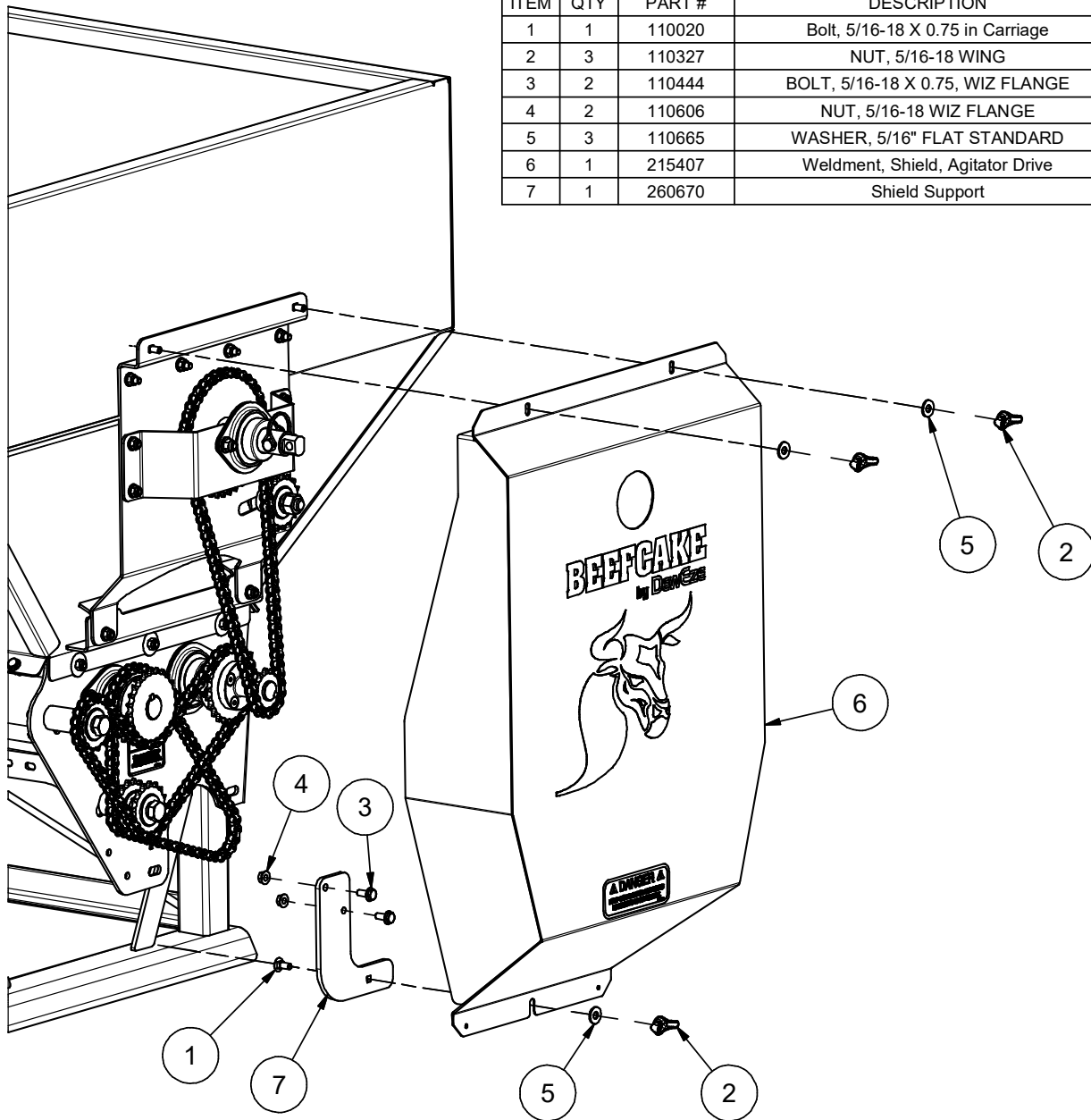
Decals	
Model #	Part #
675	202095
676	202096
677	202097
679	202098
682	202099
684	202100
687	202101
688	202102
778	202105
776	202104
782	202106
784	202107
787	202108
788	202109



6/6/2018

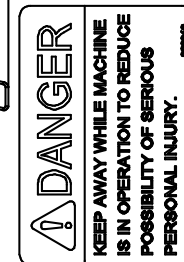
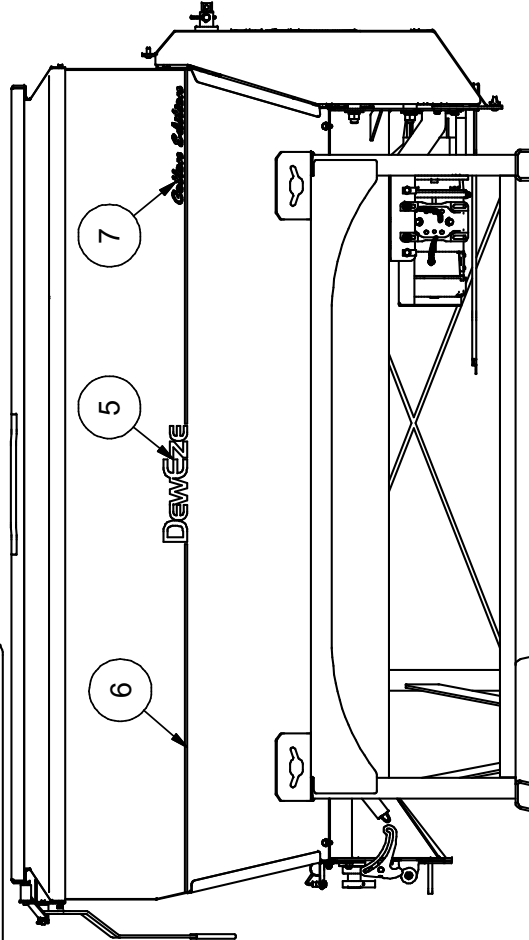
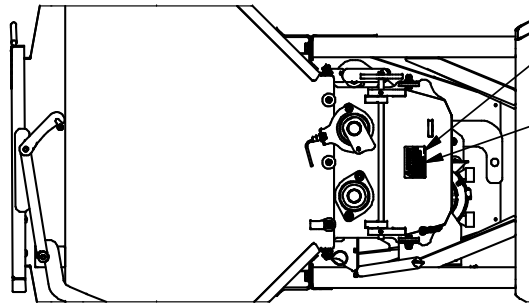
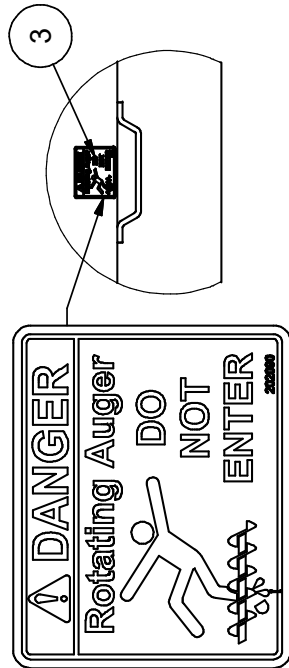
# Drive Shield Cotton Edition

Parts List			
ITEM	QTY	PART #	DESCRIPTION
1	1	110020	Bolt, 5/16-18 X 0.75 in Carriage
2	3	110327	NUT, 5/16-18 WING
3	2	110444	BOLT, 5/16-18 X 0.75, WIZ FLANGE
4	2	110606	NUT, 5/16-18 WIZ FLANGE
5	3	110665	WASHER, 5/16" FLAT STANDARD
6	1	215407	Weldment, Shield, Agitator Drive
7	1	260670	Shield Support



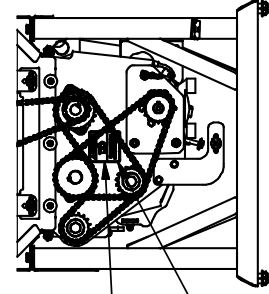
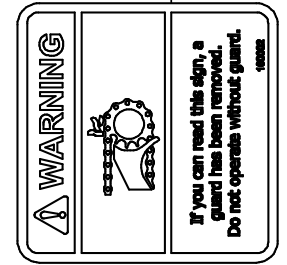
1/3/2019

**Decal Page**  
**DewEze BEEFCAKE**  
*Cotton Edition*



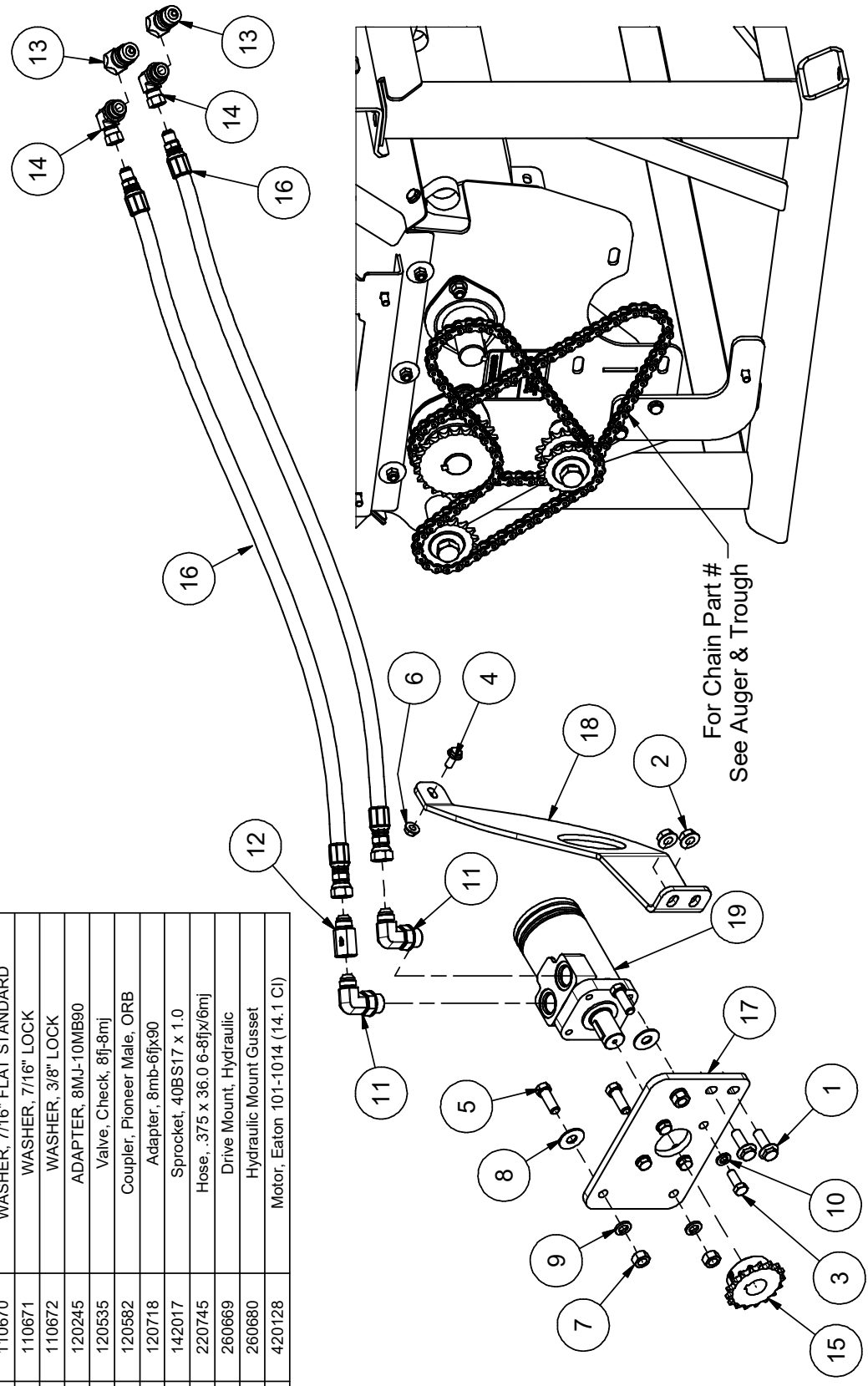
Parts List

ITEM	QTY	PART #	DESCRIPTION
1	1	160002	Decal, Guard Removed, Graphic
2	1	200010	DANGER DECAL
3	1	202090	Decal, Danger, Rotating Auger
4	1	202091	Decal, Beefcake & Bull 21.87 X 8.75
5	1	202092	Decal, DewEze, 11.5 X 1.8
6	11.25'	202093	Decal, Pin stripe
7	1	202135	Decal, Cotton Edition
8	1	500038	Decal, Danger Keep Covers In Place



# Hydraulic Drive 2021

Kit, Hyd Drive (14.1) #205127		DESCRIPTION
ITEM	QTY	PART #
1	2	110254 BOLT, 7/16-14 X 1.25, WIZ FLANGE
2	2	110337 NUT, 7/16-14 WIZ FLANGE
3	4	110420 BOLT, 3/8-16 X 1.0
4	1	110444 BOLT, 5/16-18 X 0.75, WIZ FLANGE
5	3	110539 BOLT, 7/16-14 X 1.25
6	1	110606 NUT, 5/16-18 WIZ FLANGE
7	3	110641 NUT, 7/16-14
8	3	110670 WASHER, 7/16" FLAT STANDARD
9	3	110671 WASHER, 7/16" LOCK
10	4	110672 WASHER, 3/8" LOCK
11	2	120245 ADAPTER, 8MJ-10MB90
12	1	120535 Valve, Check, 8fj-8mj
13	2	120582 Coupler, Pioneer Male, ORB
14	2	120718 Adapter, 8mb-6fx90
15	1	142017 Sprocket, 40BS17 x 1.0
16	2	220745 Hose, .375 x 36.0 6-8fx/6mj
17	1	260669 Drive Mount, Hydraulic
18	1	260680 Hydraulic Mount Gusset
19	1	420128 Motor, Eaton 101-1014 (14.1 Cl)



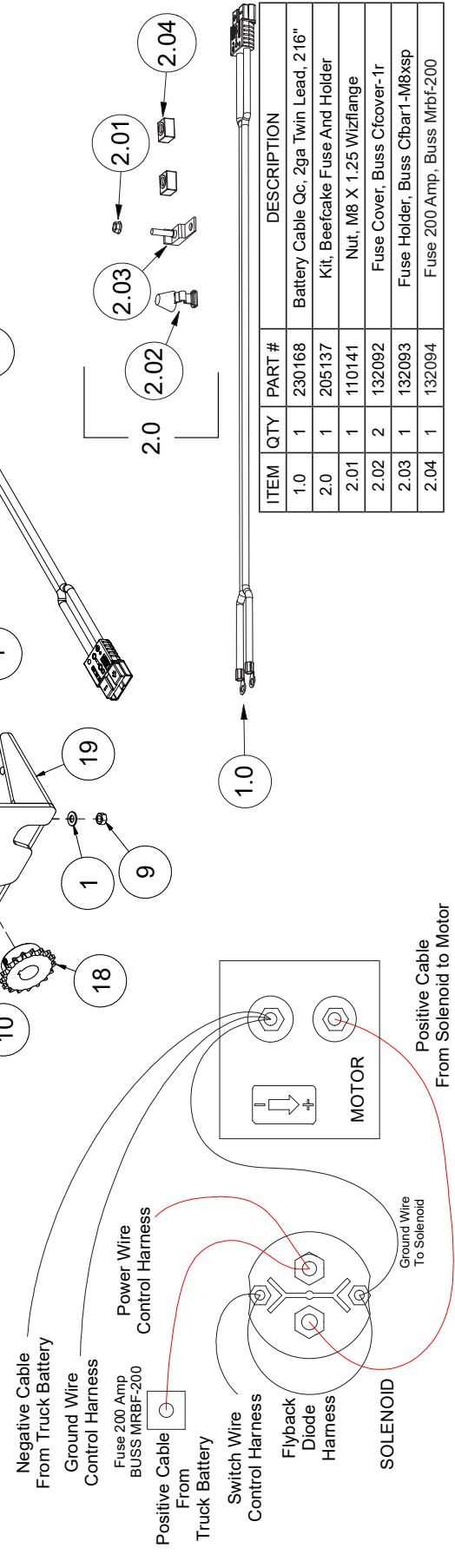
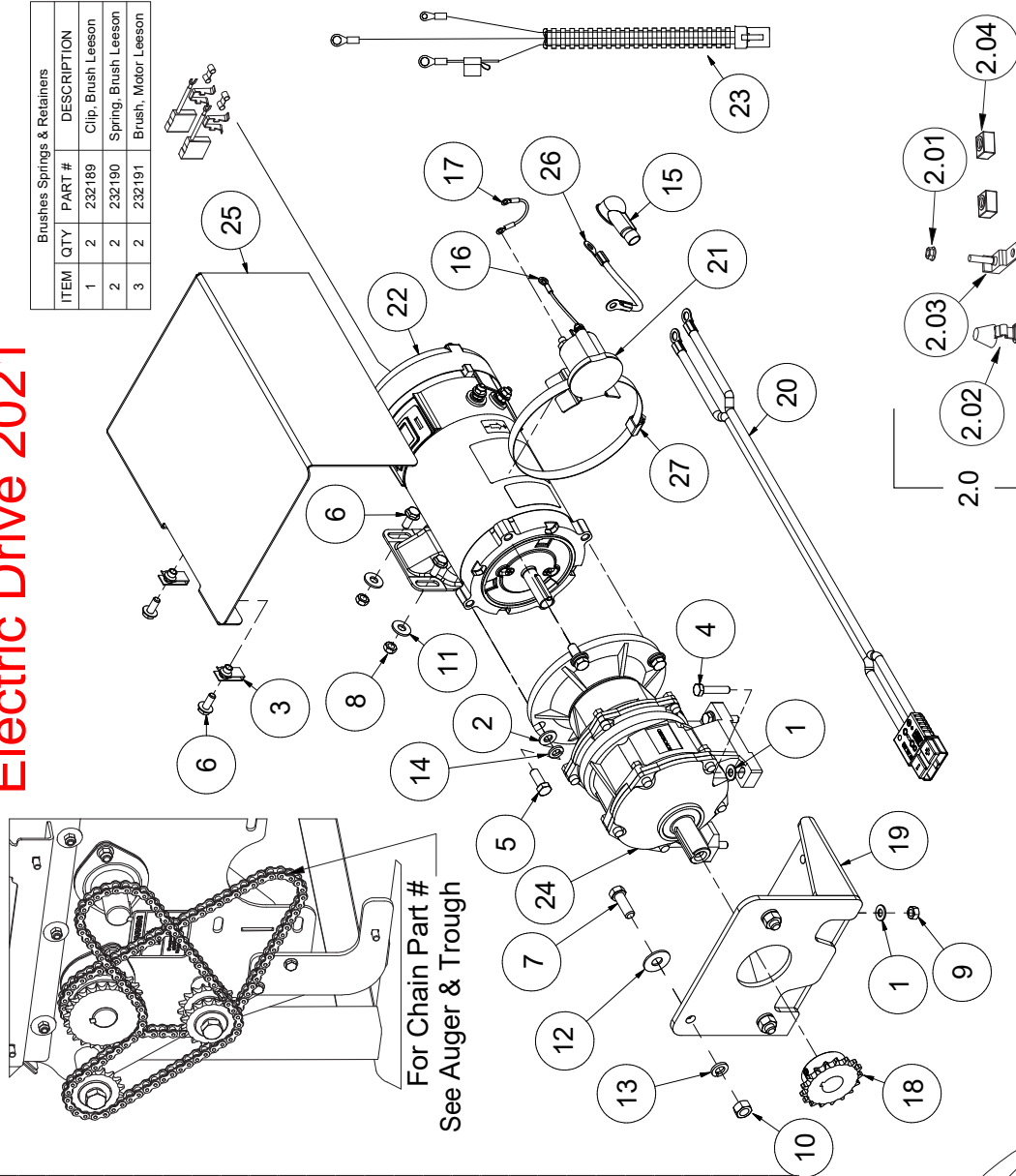
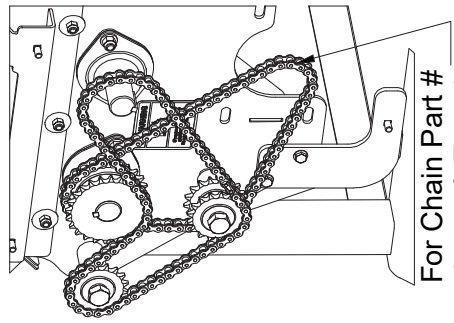
For Chain Part #  
See Auger & Trough

3/31/2022

**Electric Drive 2021**

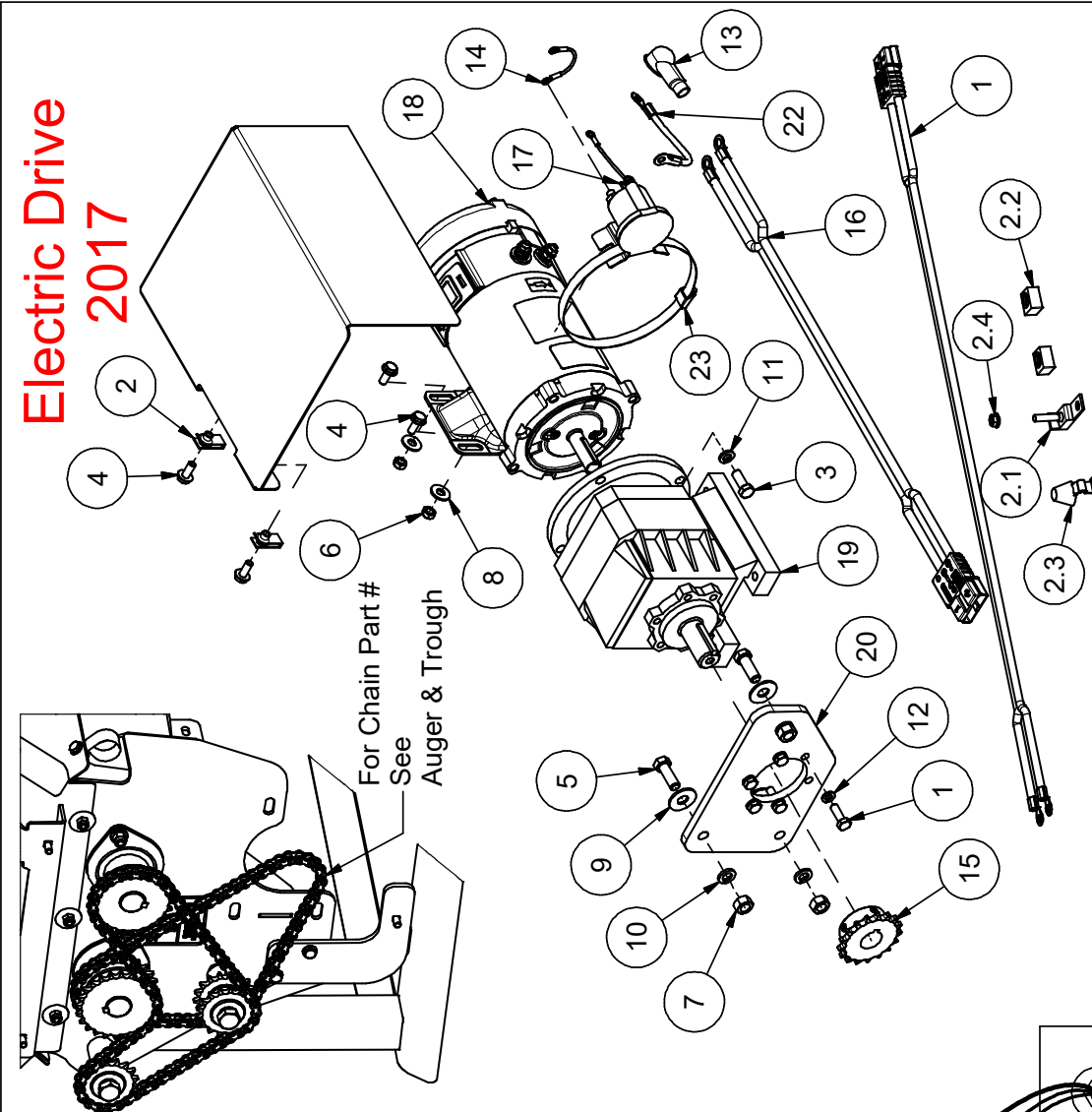
ELECTRIC DRIVE KIT: 205374	
ITEM	DESCRIPTION
1	Washer, 5/16" Flat Sae
2	Washer, 3/8" Flat Sae
3	Nut, 5/16-18 U-Type .75l
4	Bolt, 5/16-18 X 1-1/2
5	Bolt, 3/8-16 X 1.0
6	Bolt, 5/16-18 X 0.75, Wiz Flange
7	Bolt, 7/16-14 X 1.25
8	Nut, 5/16-18, Unitorque Lock
9	Nut, 5/16-18
10	Nut, 7/16-14
11	Washer, 5/16" Flat Standard
12	Washer, 7/16" Flat Standard
13	Washer, 7/16" Lock
14	Washer, 3/8" Lock
15	Terminal Protector, Red, 1-2ga
16	Terminal, Ring, 16-14, 1/4, Heat Shrink
17	Flyback Diode Assembly, Cake Feeder
18	Sprocket, 40bs17 X 1.0
19	Bracket, Gear Reducer
20	Battery Cable Qc, 2ga Twin Lead, 30"
21	Solenoid, 4 Post, 12vdc Contactor
22	Motor, 12v Dc, 3/4 Hp
23	Harness, Cake Feeder, Electric
24	Gear Reducer, Inline, 30.55:1
25	Motor Shield, Electric, 2017
26	Cable, 4 Ga. 9", Red
27	Clamp, Hose #88 6.00"

Brushes Springs & Retainers		
ITEM	QTY	DESCRIPTION
1	2	Clip, Brush Leeson
2	2	Spring, Brush Leeson
3	2	Brush, Motor Leeson

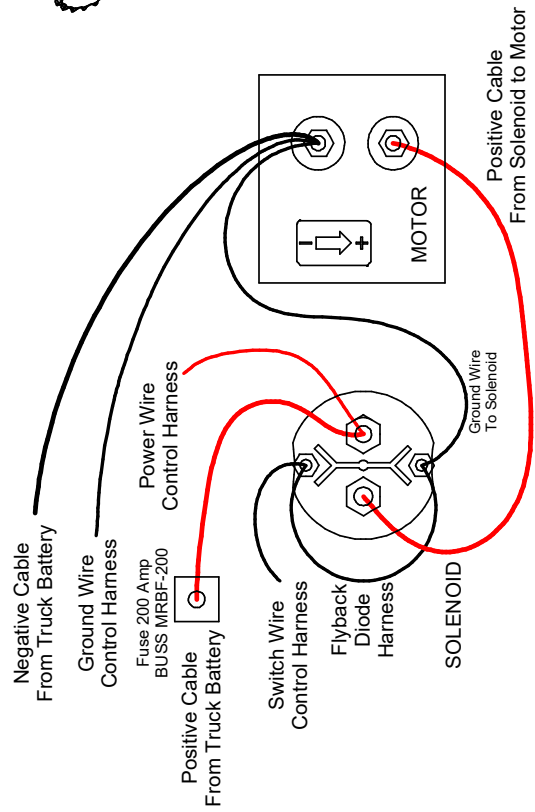


ITEM	QTY	PART #	DESCRIPTION
1.0	1	230168	Battery Cable Qc, 2ga Twin Lead, 216"
2.0	1	205137	Kit, Beefcake Fuse And Holder
2.01	1	110141	Nut, M8 X 1.25 Wizflange
2.02	2	132092	Fuse Cover, Buss C/cover-1r
2.03	1	132093	Fuse Holder, Buss Cfbar1-M8xsp
2.04	1	132094	Fuse 200 Amp, Buss Mrbf-200

Kit, Electric Drive #205126		PART #	DESCRIPTION
1	5	110260	BOLT, M8x1.25 x 25 Gr 10.9
2	2	110319	NUT, 5/16-18 U-TYPE .75L
3	2	110420	BOLT, 3/8-16 X 1.0
4	4	110444	BOLT, 5/16-18 X 0.75, WIZ FLANGE
5	3	110539	BOLT, 7/16-14 X 1.25
6	2	110600	NUT, 5/16-18, UNITORQUE LOCK
7	3	110641	NUT, 7/16-14
8	2	110665	WASHER, 5/16" FLAT STANDARD
9	3	110670	WASHER, 7/16" FLAT STANDARD
10	3	110671	WASHER, 7/16" LOCK
11	2	110672	WASHER, 3/8" LOCK
12	5	110674	WASHER, 5/16" LOCK
13	1	130068	Terminal Protector, Red, 1-2ga
14	1	132163	Flyback Diode Assembly, Cake Feeder
15	1	142017	Sprocket, 40BS17 x 1.0
16	1	230169	Battery Cable QC, 2ga Twin Lead, 30"
17	1	232103	Solenoid, 4 Post, 12VDC Contactor
18	1	232110	Motor, 12V DC, 3/4 HP
19	1	242006	Gear Reducer, Inline, 29.4:1
20	1	260668	Drive Mount, Electric
21	1	260674	Motor Shield, Electric, 2017
22	1	532084	Cable, 4 ga., 9", Red
23	1	940028	CLAMP, HOSE #88 6.00"

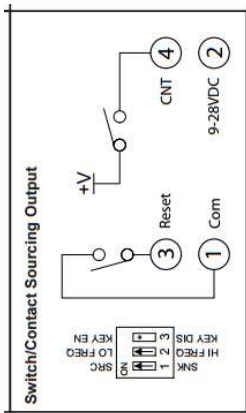


ITEM	QTY	PART #	DESCRIPTION
1	1	230168	Battery Cable QC, 2ga Twin Lead, 216"
2	1	205137	Kit, BeefCake Fuse and Holder
2.1	1	132093	FUSE HOLDER, BUSS CFBAR1-M8XSP
2.2	2	132094	FUSE 200 AMP, BUSS MRBF-200
2.3	1	132092	FUSE COVER, BUSS CFCOVER-1R
2.4	1	110141	NUT, M8 X 1.25 WIZFLANGE

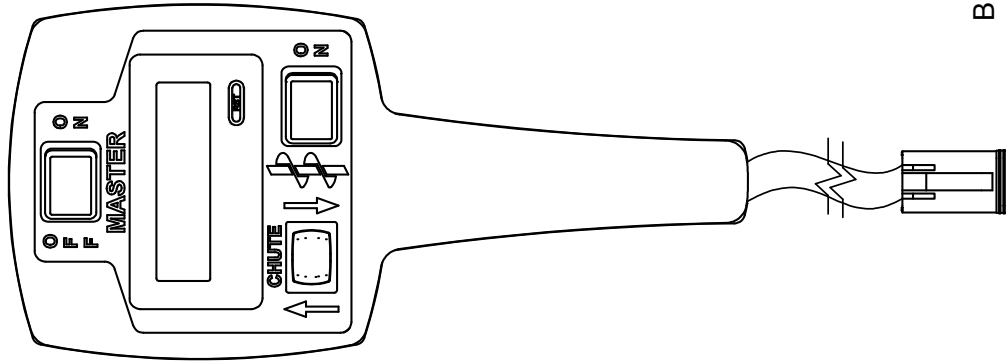
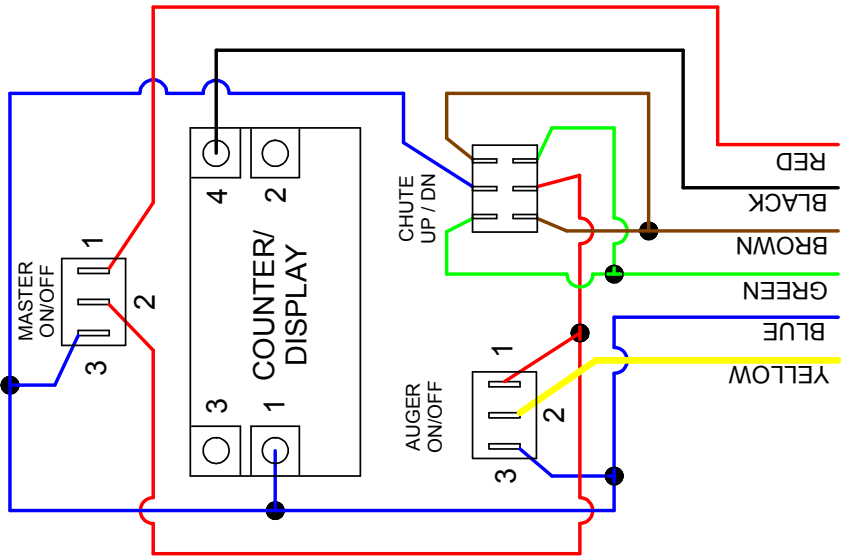


Hand Control Assy, Part #150047		
ITEM	QTY	DESCRIPTION
1	1	132129 Counter, Display
2	1	132131 Switch, Rocker Min. DPDT, (On)-OFF-(ON)
3	2	132132 Switch, Rocker Min. SPST, On-OFF, Illum.
4	1	150001 TOP HOUSING, HAND CONTROL
5	1	150003 BOTTOM HOUSING, HAND CONTROL
6	4	150013 SCREW, #6 X 1/4 TYPE F
7	2	150014 SCREW, #6 X 1 SHEETMETAL
8	2	150015 SCREW, #6 X 1.5 SHEETMETAL
9	1	150046 Switch Plate, Feeder, Hand Control
10	1	202089 Decal, Cake Feeder Hand Control
11	1	230164 Cable, Hand Control, Feeder

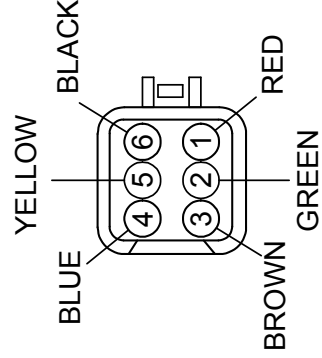
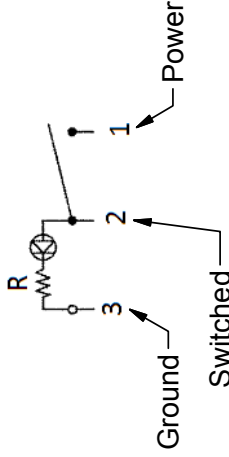
NOTE: All 3 DIP Switches Set to ON



Hand Control From Backside

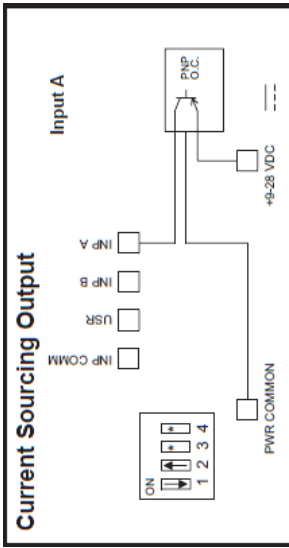


132132 3P SPST ON-OFF ILLUM

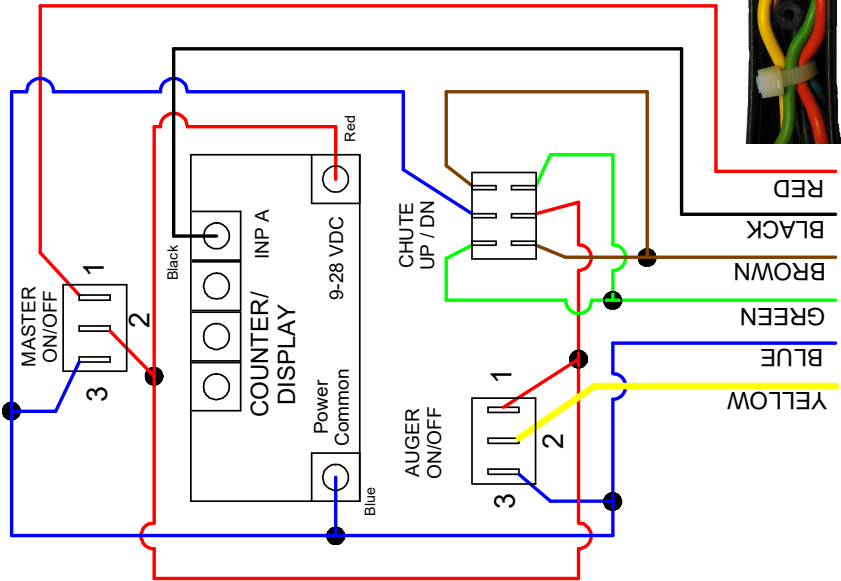


OLD COUNTER STYLE (COUNTER OBSOLETE)

NOTE: DIP Switch 1 OFF DIP Switch 2 ON

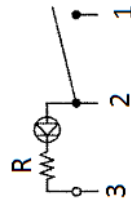
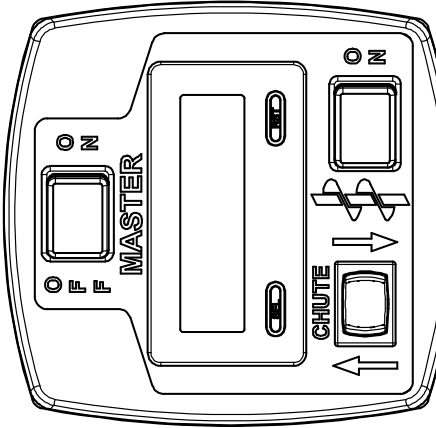


Hand Control From Backside

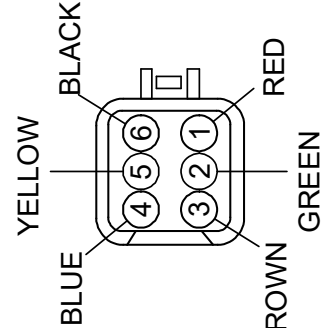
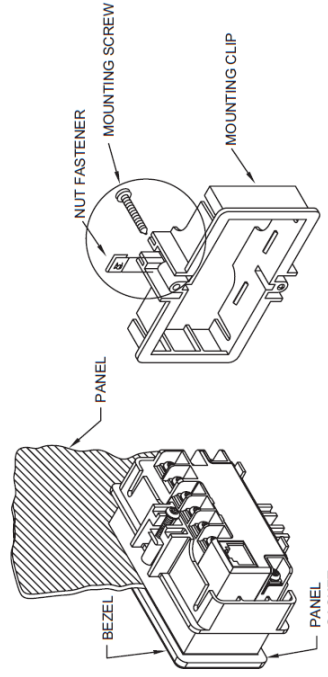


1000E S/N 20A56  
1500E S/N 20A67  
2000E S/N 20A34

Starting July 2020



132132  
3P SPST ON-OFF  
ILLUM



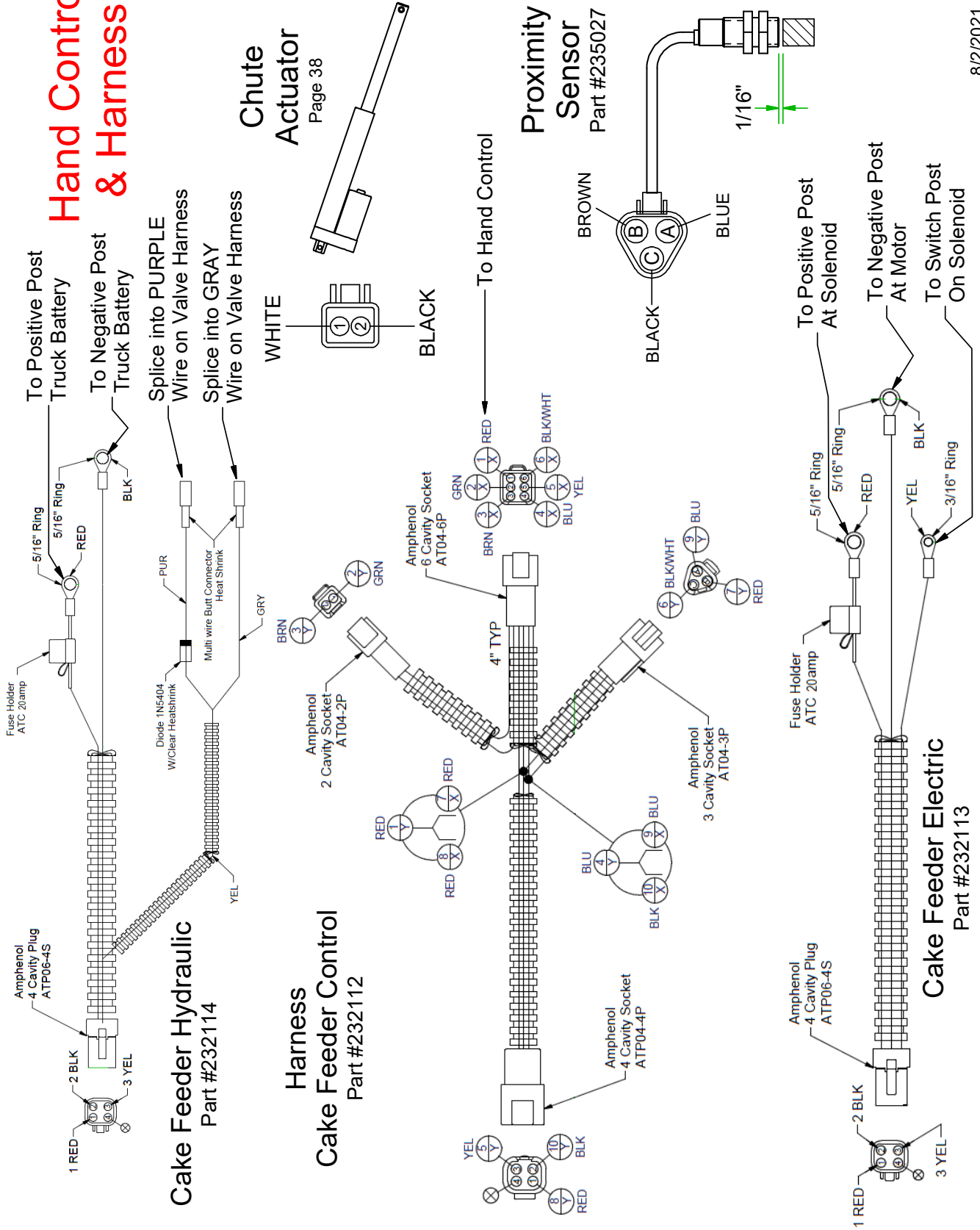
NEW = 2 BUTTON ON FACE  
New displays ADD A POWER WIRE.  
Deweze provides a pre-made JUMPER.  
230174

Hand Control Assy, Part #150048		
ITEM	QTY	DESCRIPTION
1	1	Switch, Rocker Min. DPDT, (On)-OFF, (On)
2	1	Switch, Rocker Min. SPST, On-OFF, Illum.
3	1	Counter, Display, Backlight Display
4	1	TOP HOUSING, HAND CONTROL
5	1	BOTTOM HOUSING, HAND CONTROL
6	4	SCREW, #6 X 1/4 TYPE F
7	2	SCREW, #6 X 1 SHEETMETAL
8	2	SCREW, #6 X 1.5 SHEETMETAL
9	1	Switch Plate, Feeder, Hand Control
10	1	Decal, Cake Feeder Hand Control
11	1	Cable, Hand Control, Feeder
12	1	Jumper, Hand Control, Feeder

NEW COUNTER STYLE (CONSTANT POWER)

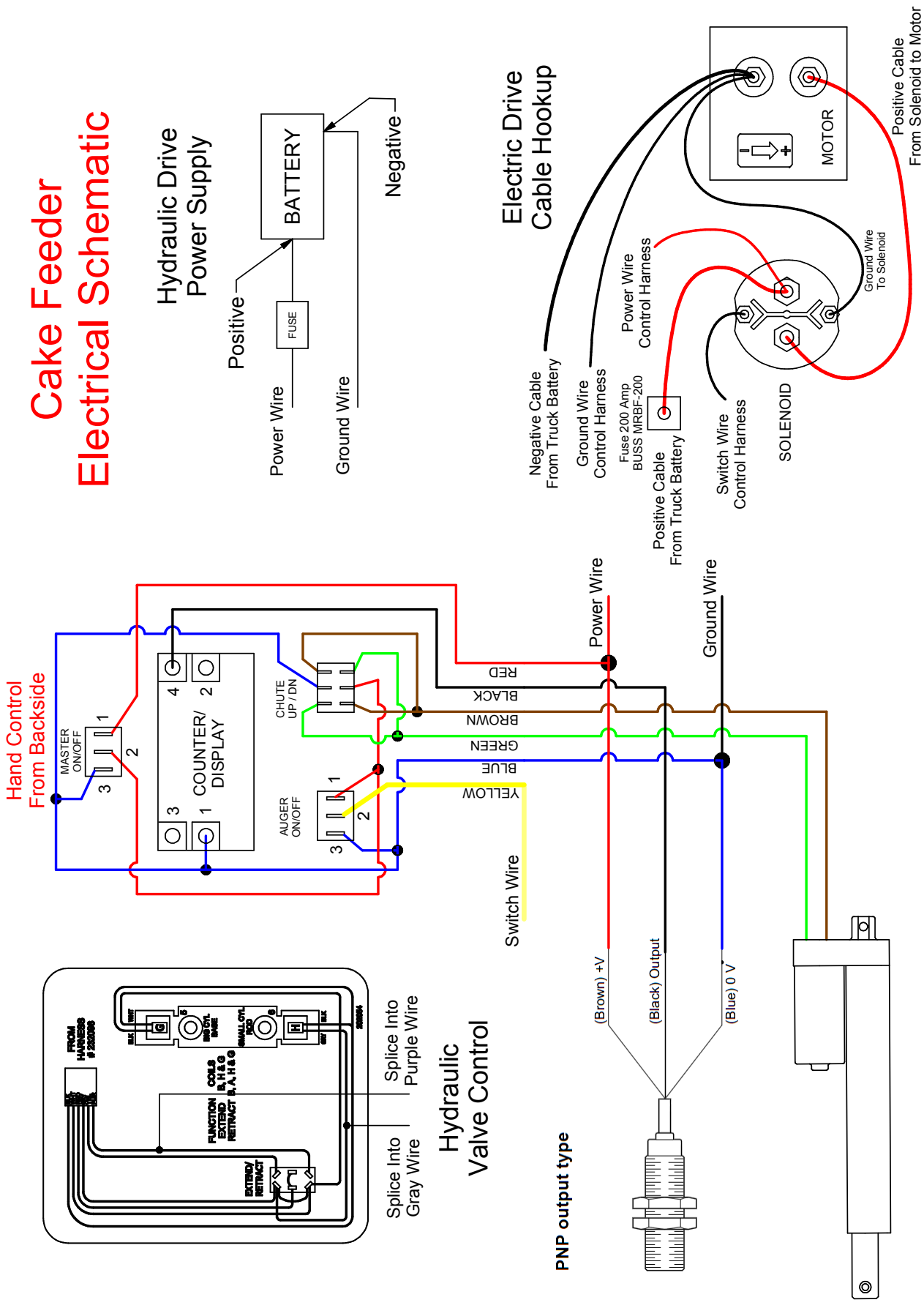
9/23/2020

# Hand Control & Harness



8/2/2021

# Cake Feeder Electrical Schematic

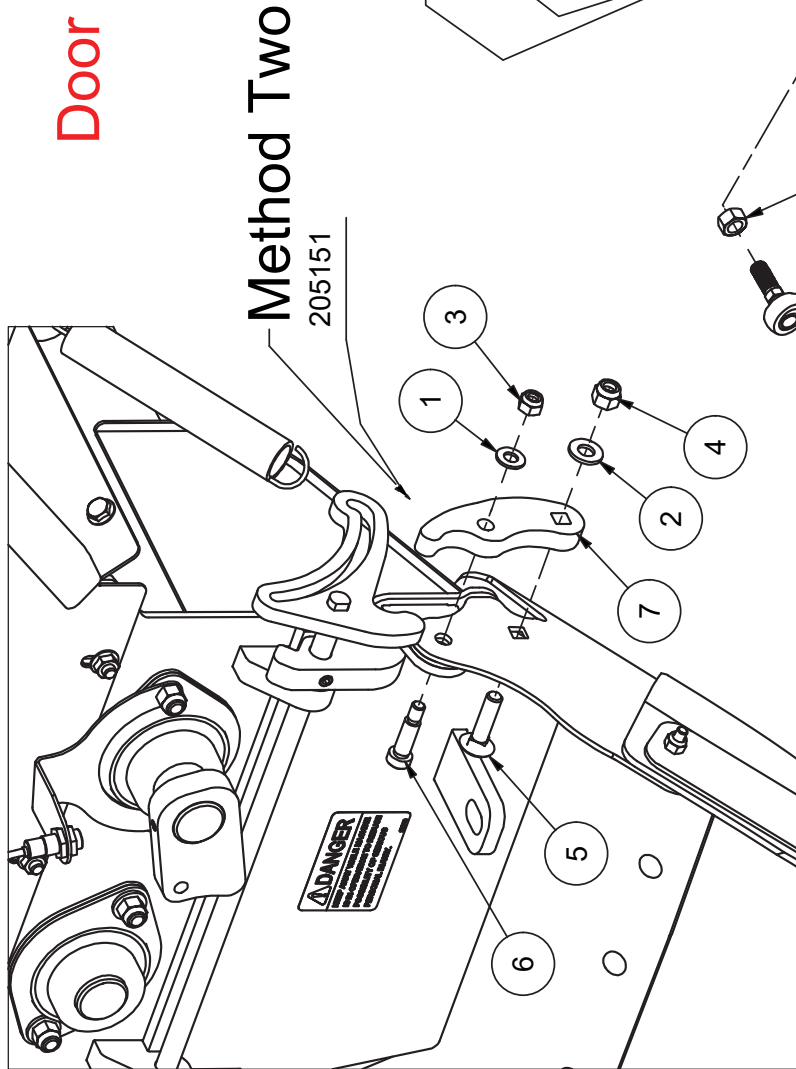


2/21/2017

# Door Operation Methods

\*\*\*Note: Do not operate feeder with parts from both method one and two installed at the same time. Failure will result.

Parts for method two are installed from the factory

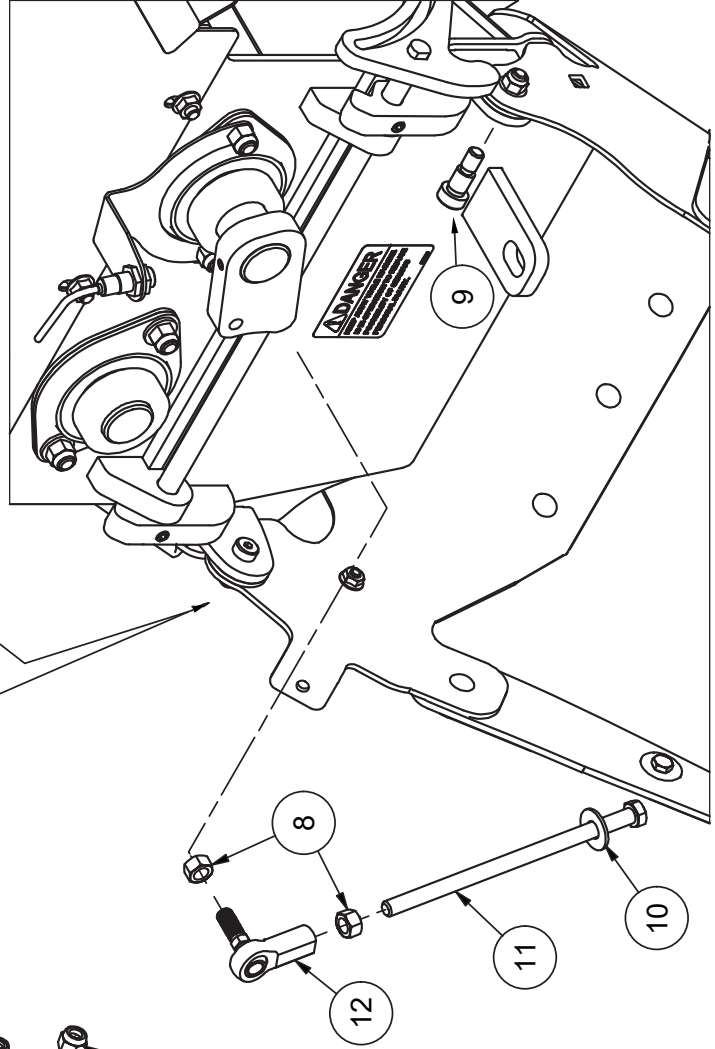


## Method Two

205151

## Method One

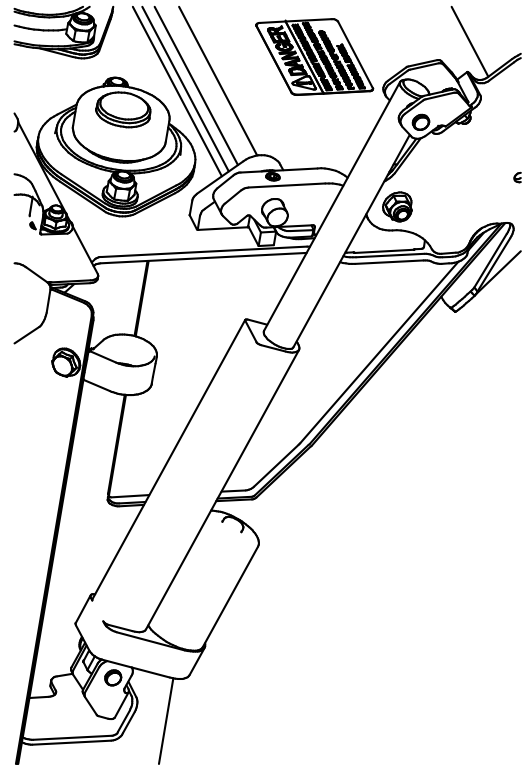
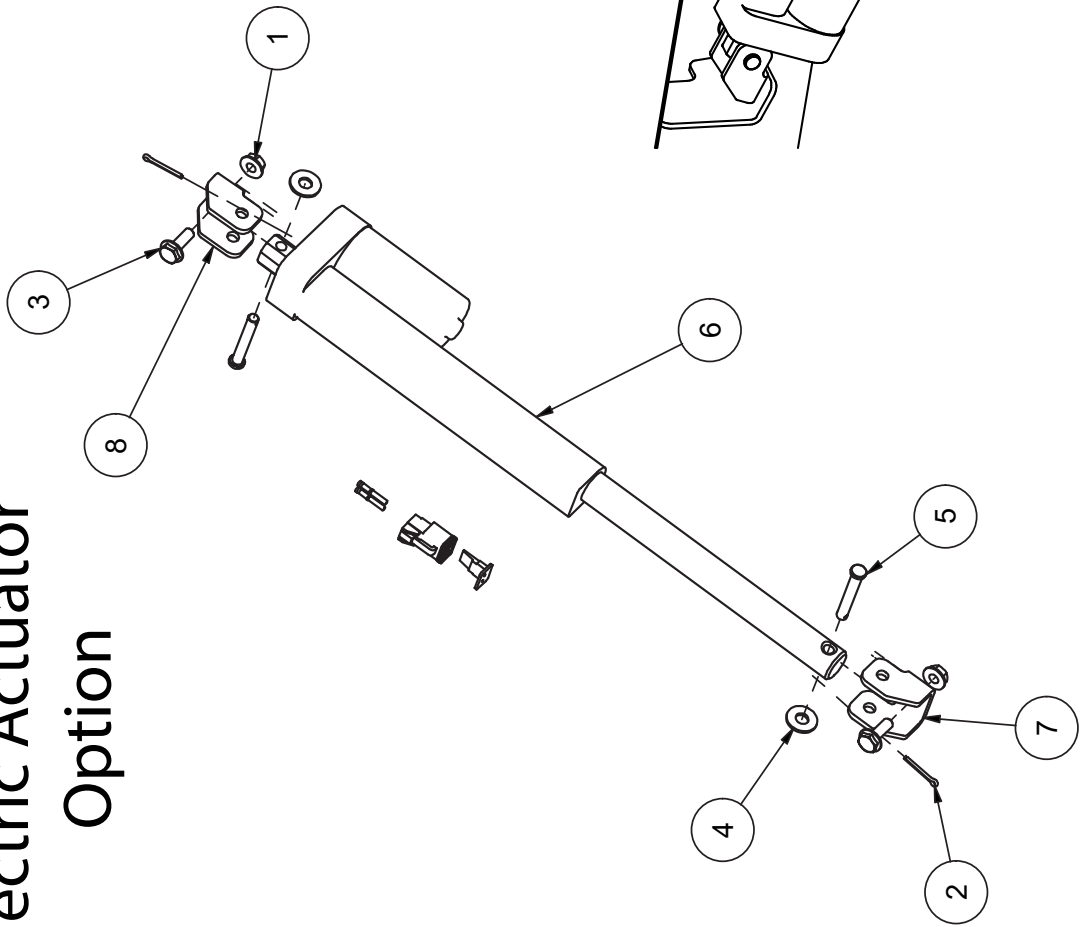
205134



ITEM		QTY	PART #	DESCRIPTION
			205151	Kit, BeefCake Manual Door Kicker
1	1	110069		WASHER, 5/16" FLAT SAE
2	1	110155		WASHER, 3/8" FLAT SAE
3	1	110603		NUT, 5/16-18 LOCK (NYLON)
4	1	110618		NUT, 3/8-16 LOCK NYLON INSERT
5	1	110916		Bolt, 3/8-16 X 1.5 in Carriage
6	1	111071		BOLT, 3/8 X 1.0 SHOULDER SHCS
7	1	260757		Manual Door Kicker
			205134	Kit, BeefCake Ball Joint
8	2	110083		NUT, 3/8-24
9	1	110289		BOLT, 3/8 X 0.5 SHOULDER SHCS
10	1	110676		WASHER, 3/8" FLAT STANDARD
11	1	111068		Bolt, 3/8-24 X 7.0
12	1	142015		Ball Joint Linkage, 3/8-24 RH

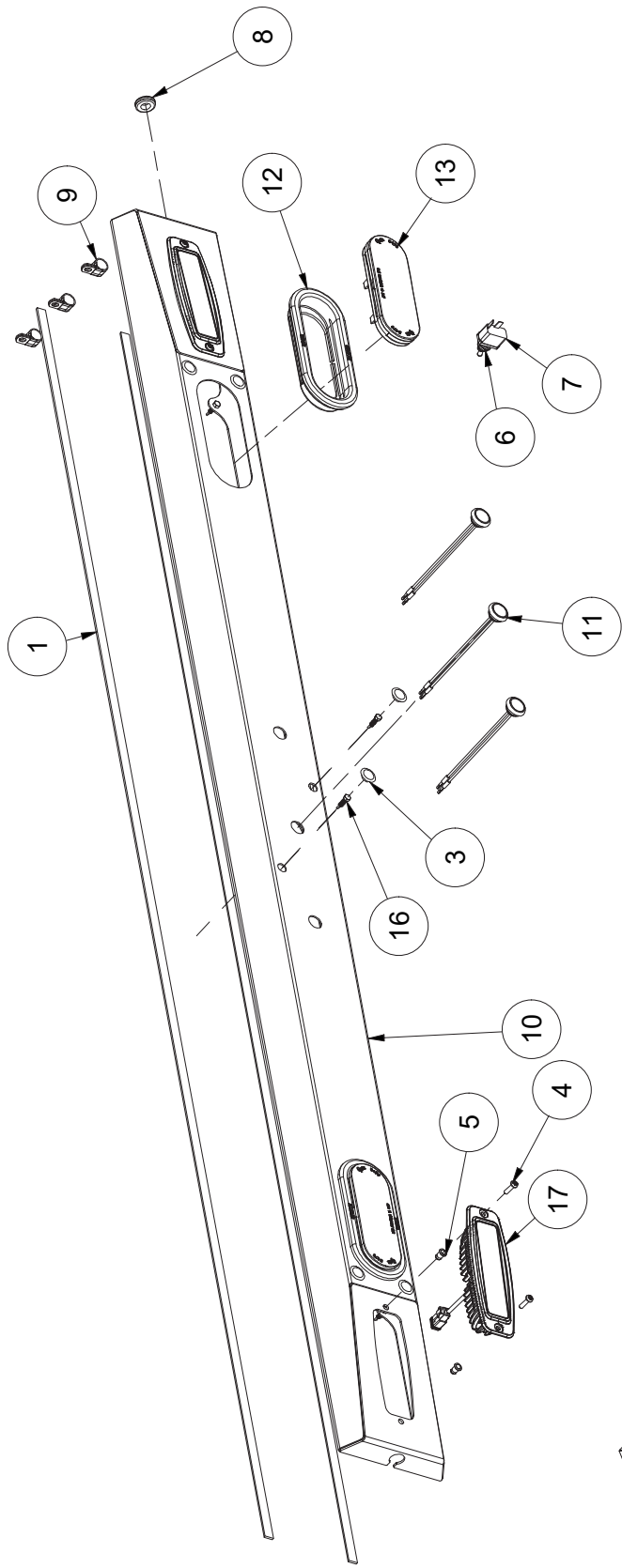
ITEM	QTY	PART #	DESCRIPTION
	1	235029	Kit, Actuator
1	2	110290	Nut, 1/4-20 Wiz Flange
2	2	110300	Cotter Pin, 3/32 X 0.75
3	2	110468	Bolt, 1/4-20 X 0.75, Wiz Flange
4	2	110673	Washer, 1/4" Flat Standard
5	2	112095	Clevis Pin, Std Zp 1/4 X 1 5/8
6	1	235028	Actuator, 5.9", With Plug
7	1	270135	Tool Box Door Hinge, Outer Half
8	1	270139	Tool Box Door Hinge, Inner Half

# Electric Actuator Option

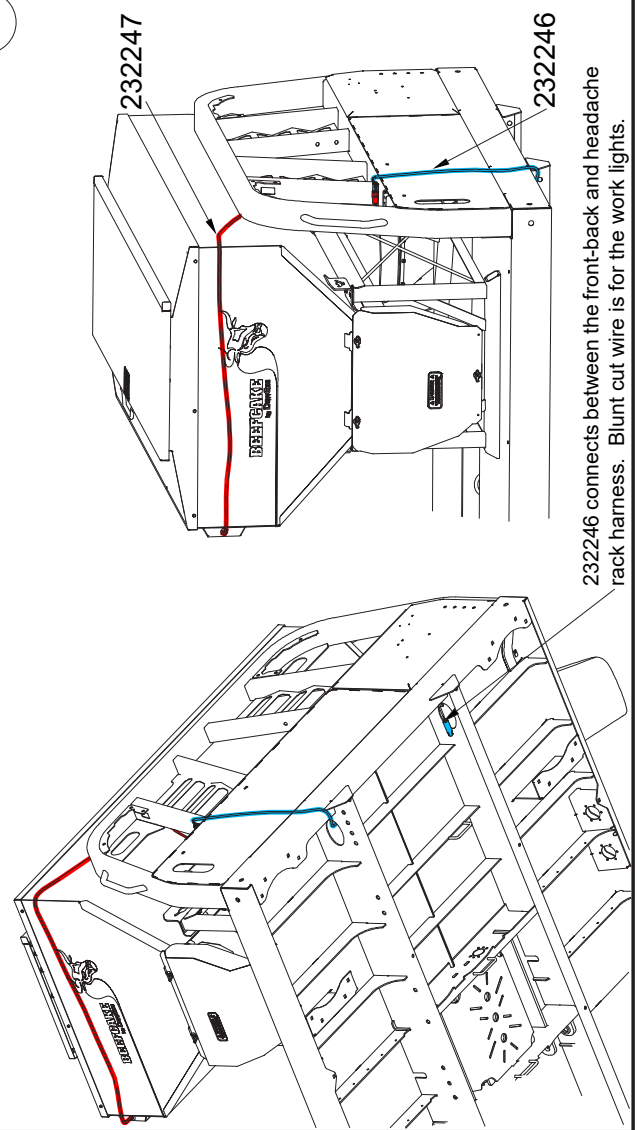


205498 REV:

# LIGHT BAR KIT 800/900



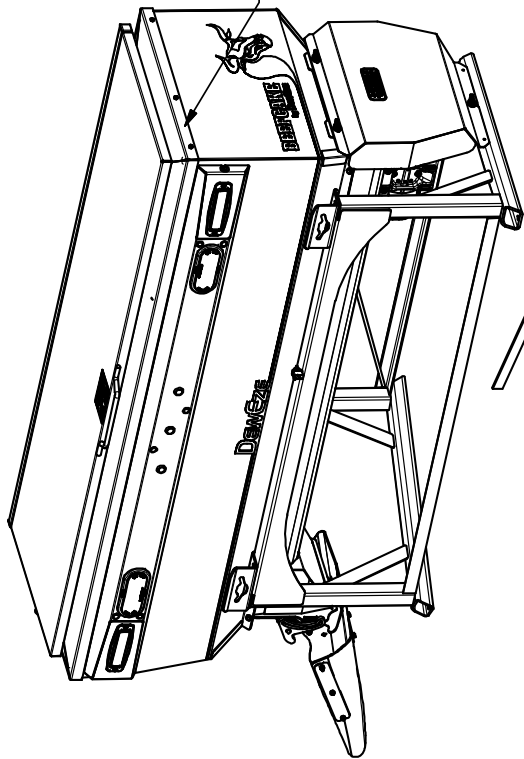
ITEM	QTY	PART #	DESCRIPTION
1	13ft	100613	Seal, .50 X .187 X 156
2	5	102117	Cable Tie, Edge Clip, Top Mount, 7.9" Black
3	6	110753	Plug, 1/2" Button Plastic
4	4	110834	Screw, 10-24 X 3/4 SS Phillips Pan Head
5	4	110835	Nut, 10-24 Rivet Aluminum
6	1	132035	Switch Boot
7	1	132135	Switch, Toggle, Spst, On-Off
8	1	150018	Grommet, 9/16 X 1" Od
9	3	200019	Clamp, AdelAc10 .265 Hole
10	1	215399	Weldment, Light Bar, Cake Feeder
11	3	232091	Light, 3/4" Round, Led, Red
12	2	232125	Grommet, 6" Oval, Grote
13	2	232127	Light, Oval, S/T/T, Male Pin, Grote
14	1	232246	Harness, Light Bar Splice, 800/900
15	1	232247	Harness, Light Bar, 800/900
16	6	710587	Screw, 3/16 X .75 Tek Self-Tap
17	2	835027	Headlight Assembly, Flush Mount Led



232246 connects between the front-back and head-dache rack harness. Blunt cut wire is for the work lights.

Cake Feeder Light Bar Option Part # 205142			
ITEM	QTY	PART #	DESCRIPTION
1	13 ft.	100613	Seal, .50 x .187 x 156
2	5	102117	Cable Tie, Edge Clip, Top Mount, 7.9" Black
3	6	110763	PLUG, 1/2" BUTTON PLASTIC
4	4	110834	SCREW, 10-24 X 3/4 STAINLESS PHILLIPS PAN HEAD
5	4	110835	NUT, 10-24 RIVET ALUMINIUM
6	1	132035	SWITCH BOOT
7	1	132135	Switch, Toggle, SPST, On-Off
8	1	150018	GROMMET, 9/16 X 1" OD
9	3	200019	CLAMP, ADEL AC10 .265 HOLE
10	1	215399	Weldment, Light Bar, Cake Feeder
11	3	232091	LIGHT, 3/4" ROUND, LED, RED
12	2	232125	Grommet, 6" Oval, Grote
13	2	232127	Light, Oval, S/T/T, Male Pin, Grote
14	1	232142	Harness, Cake Feeder Light Bar
15	6	710587	SCREW, 3/16 X .75 TEK SELF-TAP
16	2	835027	HEADLIGHT ASSEMBLY, FLUSH MOUNT LED

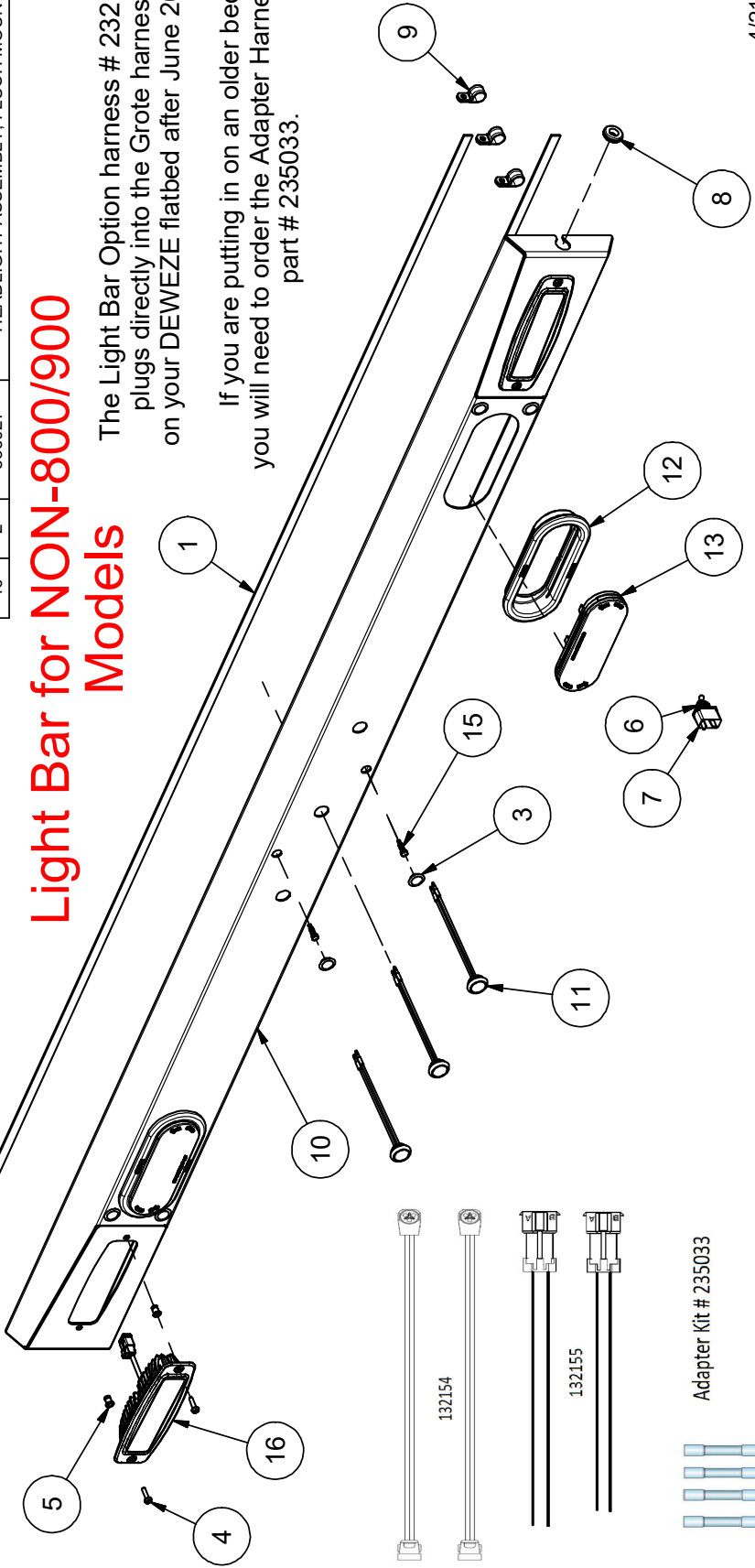
Wiring Harness Will Run Along Right Side Then Across Headache Rack and Plug Into Place of Tail Lights



## Light Bar for NON-800/900 Models

The Light Bar Option harness # 232142 plugs directly into the Grote harness on your DEWEZE flatbed after June 2018.

If you are putting in on an older bed you will need to order the Adapter Harness Kit part # 235033.



Adapter Kit # 235033

## NOTES

Harper Industries, Inc.  
151 E. Highway 160  
Harper, KS 67058

Telephone: 620-896-7381  
Toll-Free: 800-835-1042  
Fax: 620-896-7129

Website: [www.harperindustries.com](http://www.harperindustries.com)

E-mail: [info@harperindustries.com](mailto:info@harperindustries.com)