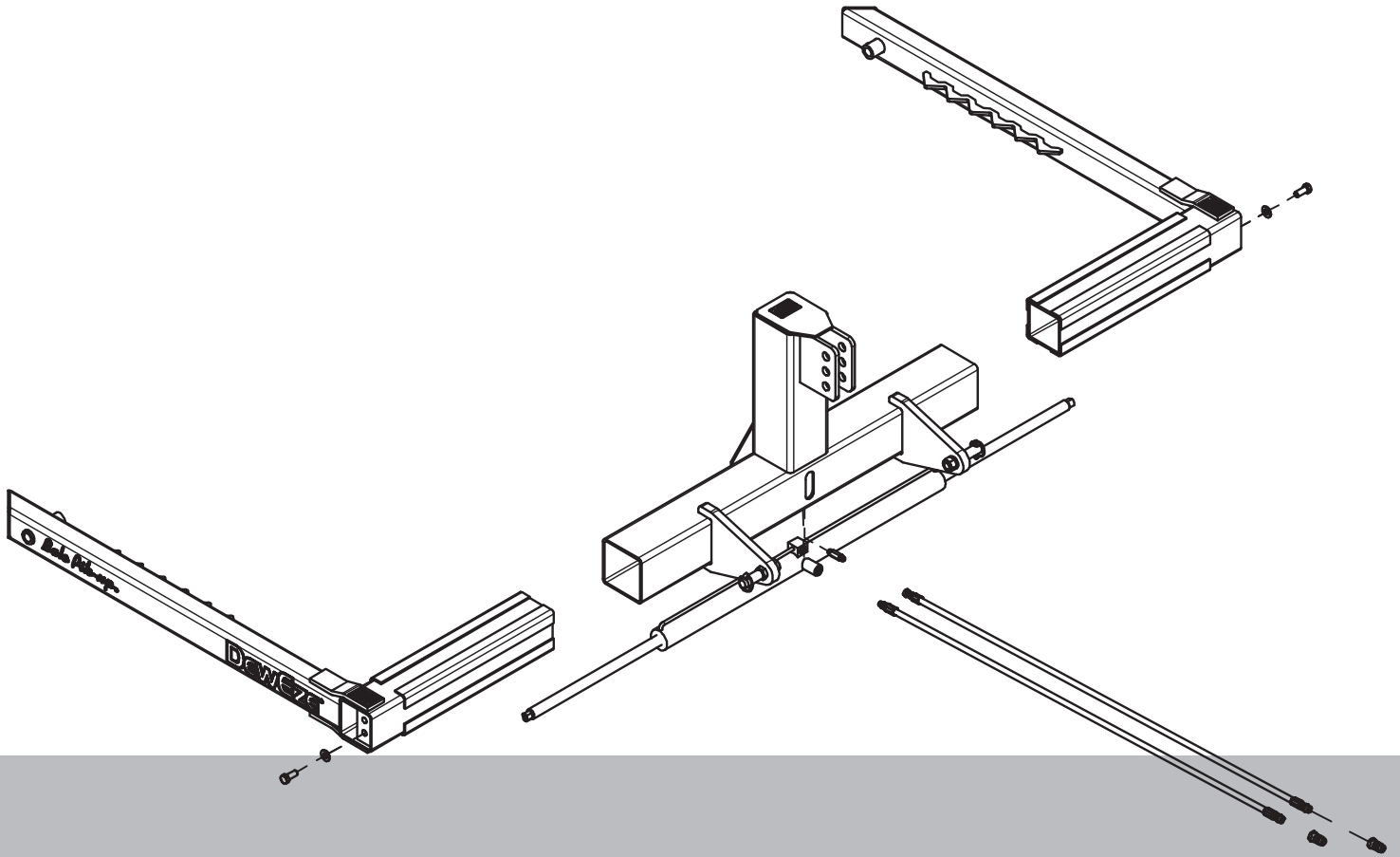


165-I BALE LOADER



DewEze®

Thank you for purchasing a DewEze 165-I Bale Loader.

TO THE OWNER OR OPERATOR:

Thank you for purchasing a DewEze 165-I Bale Loader. We hope it provides you with many years of service. The 165-I will convert any flat bed to a bale loader capable of handling two bales. This manual is written as an aid to operating and maintaining your 165-I.

Following publication of this manual, certain changes in standard or optional equipment may have occurred which would not be included in these pages. Your DewEze dealer is the best source for up to date information

Harper Industries, Inc. reserves the right to change product specifications at any time without incurring obligation to provide such updates to previously manufactured units.

© 2021 Harper Industries, Inc.

The Harper and DewEze names and logo are registered trademarks of Harper Industries, Inc. All other brand and product names are trademarks or registered trademarks of their respective companies.

Statement of Warranty

Harper Industries, Inc. (HII) warrants to each purchaser of a new DewEze Bale Loader from an authorized dealer or representative, that such equipment is free of manufacturer's defects in workmanship and materials which appear while in normal service for a period of ONE YEAR commencing with delivery to the original user.

The obligation of HII under this warranty is expressly limited, at our option, to replacement or repair at a service facility designated by Harper Industries or at the manufacturing plant in Harper, KS. A part will be replaced after inspection discloses it to have been defective. This warranty does not apply to defects caused by damage or unreasonable use (including failure to provide reasonable and necessary maintenance, or by performing functions without genuine DewEze Bale Loader accessories) while in the possession of the consumer.

Warranty is limited to parts, labor and ground freight delivery of replacement parts. HII shall not be liable for the consequential damages of any kind, including but not limited to consequential labor costs or transportation charges in connection with replacement or repair of defective parts.

This warranty does not apply to parts subjected to misuse, abuse, alteration, improper or inadequate maintenance, or normal wear.

Harper Industries makes no warranty with respect to trade accessories. They are subject to the warranties of their respective manufacturers.

ANY IMPLIED OR STATUTORY WARRANTIES, INCLUDING ANY WARRANTY OR MERCHANTABILITY OR FITNESS FOR A PARTICULAR PURPOSE, ARE EXPRESSLY LIMITED TO THE DURATION OF THIS WRITTEN WARRANTY. HII makes no other express warranty, nor is anyone authorized to make any on behalf of HII.

For further information please contact your nearest DewEze Bale Loader dealer.

RECORDS

Date of Purchase _____ / _____ / _____

Dealer's Name _____

Dealer's Phone _____

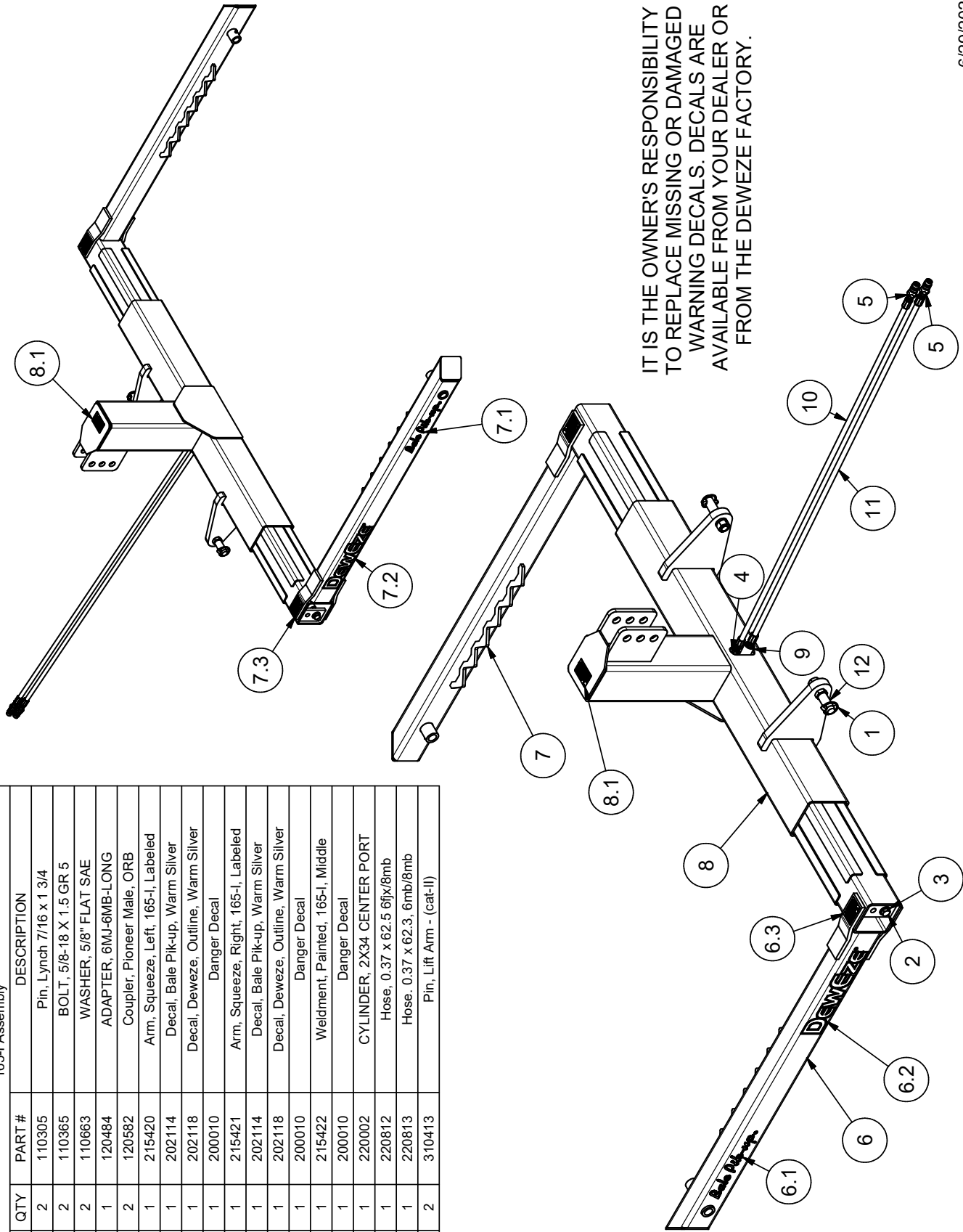
Serial Number _____

Table of Contents

OPERATOR/PARTS SECTIONS

To the Owner or Operator.....	1
Warranty Statement.....	2
Table of Contents.....	3
Complete Assembly.....	4
Middle Weldment.....	6
Middle Weldment Assembly.....	7
Hugger Arm Weldment.....	9
Left Squeeze Arm.....	11
Right Squeeze Arm.....	12
Extend Hydraulic Hose.....	13
Release Hydraulic Hose.....	14

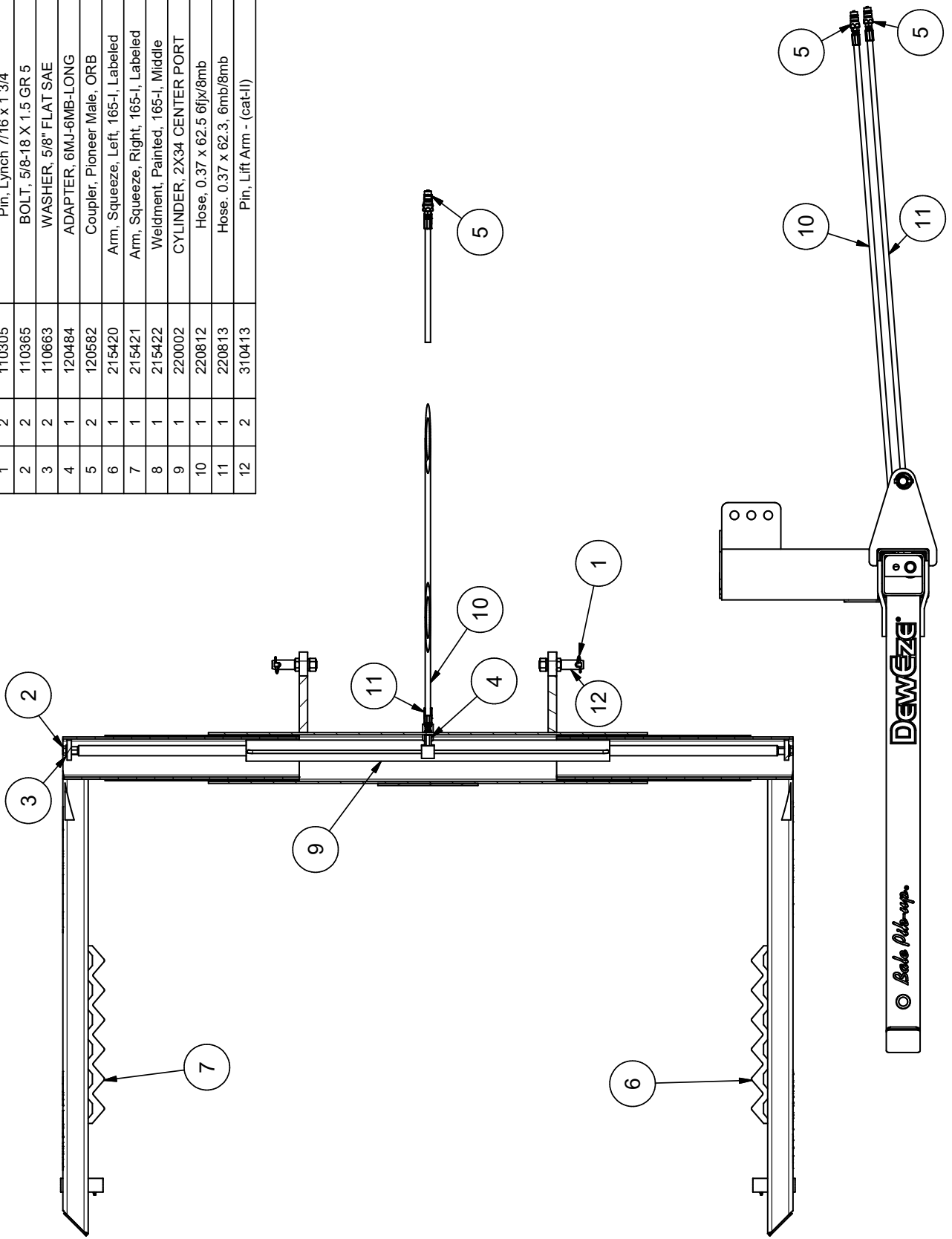
165-I Assembly		DESCRIPTION
ITEM	QTY	PART #
1	2	110305
2	2	110365
3	2	110663
4	1	120484
5	2	120582
6	1	215420
6.1	1	202114
6.2	1	202118
6.3	1	200010
7	1	215421
7.1	1	202114
7.2	1	202118
7.3	1	200010
8	1	215422
8.1	1	200010
9	1	220002
10	1	220812
11	1	220813
12	2	310413



IT IS THE OWNER'S RESPONSIBILITY TO REPLACE MISSING OR DAMAGED WARNING DECALS. DECALS ARE AVAILABLE FROM YOUR DEALER OR FROM THE DEWEZE FACTORY.

165-I Assembly

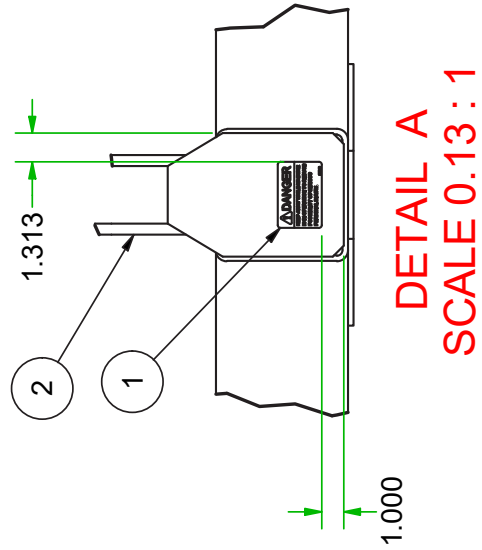
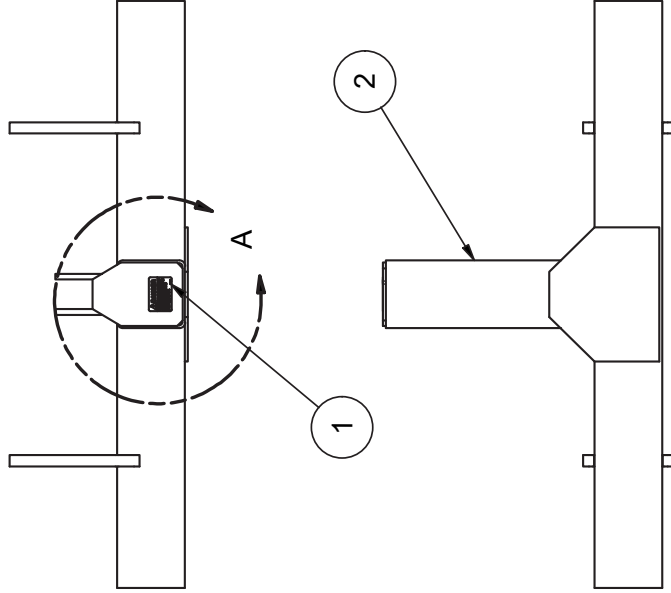
ITEM	QTY	PART #	DESCRIPTION
1	2	110305	Pin, Lynch 7/16 x 1 3/4
2	2	110365	BOLT, 5/8-18 X 1.5 GR 5
3	2	110663	WASHER, 5/8" FLAT SAE
4	1	120484	ADAPTER, 6MJ-6MB-LONG
5	2	120582	Coupler, Pioneer Male, ORB
6	1	215420	Arm, Squeeze, Left, 165-I, Labeled
7	1	215421	Arm, Squeeze, Right, 165-I, Labeled
8	1	215422	Weldment, Painted, 165-I, Middle
9	1	220002	CYLINDER, 2X34 CENTER PORT
10	1	220812	Hose, 0.37 x 62.5 6fjx/8mb
11	1	220813	Hose, 0.37 x 62.3, 6mb/8mb
12	2	310413	Pin, Lift Arm - (cat-I)



215422 REV: NC

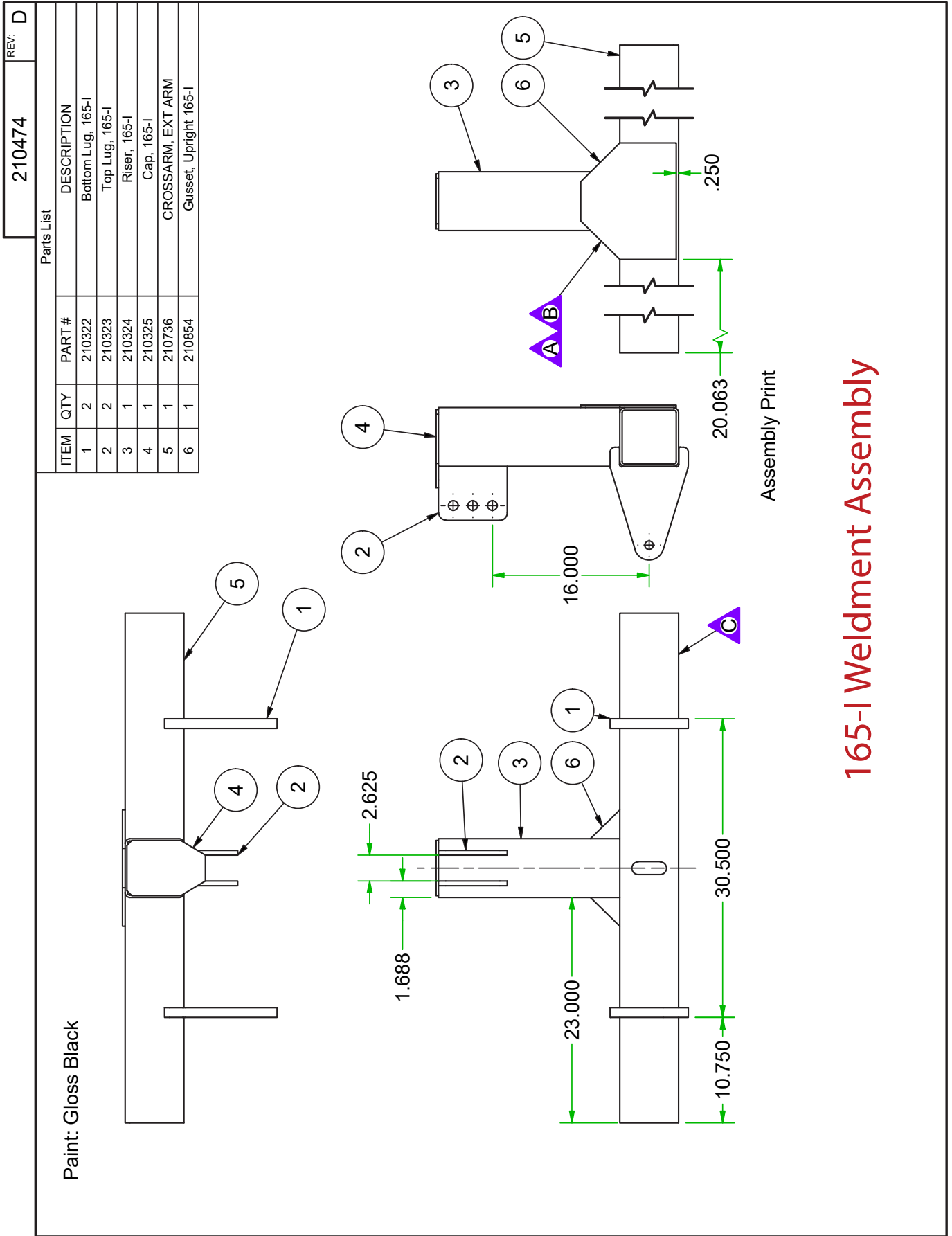
Parts List	
ITEM	QTY
1	1
2	1

PART #	DESCRIPTION
200010	DANGER DECAL
210474	Weldment, 165I



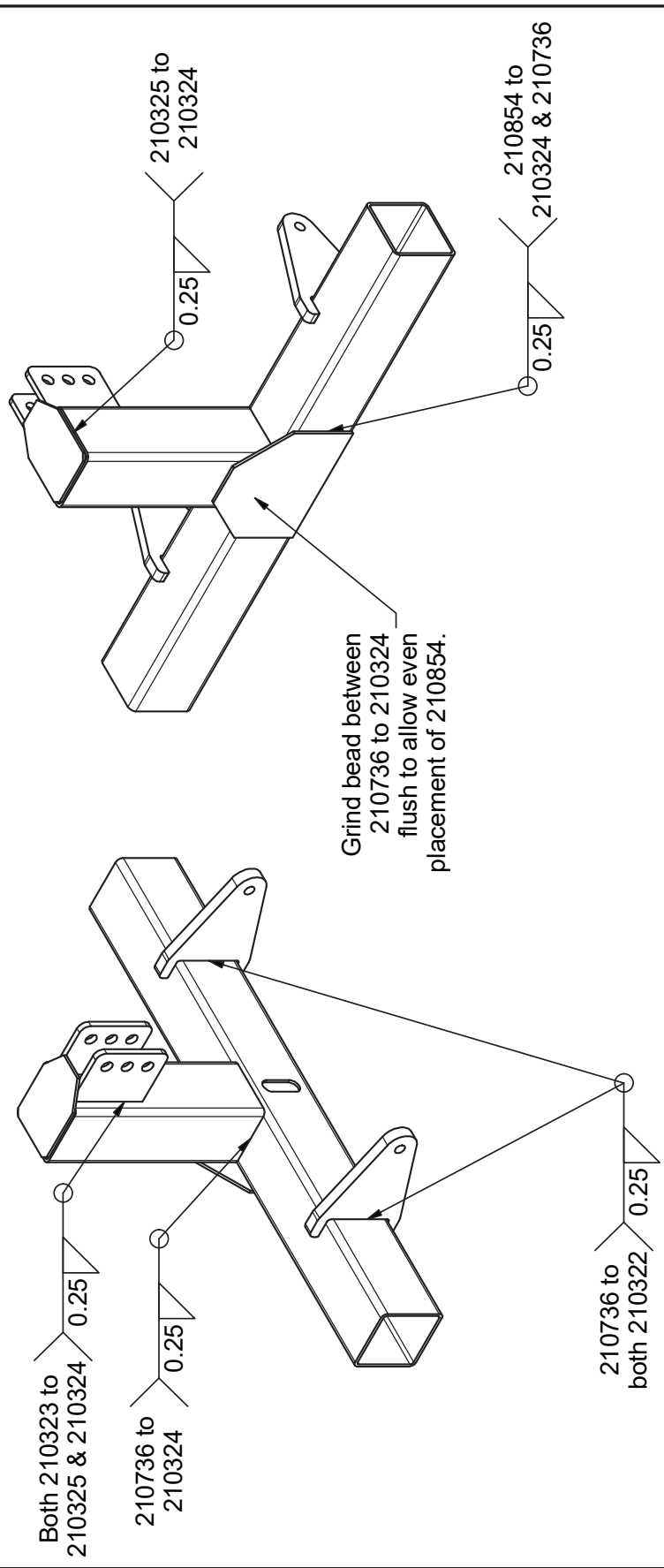
DETAIL A
SCALE 0.13:1

Middle Weldment



165-I Weldment Assembly

165-I Weldment Assembly



215155 REV: A

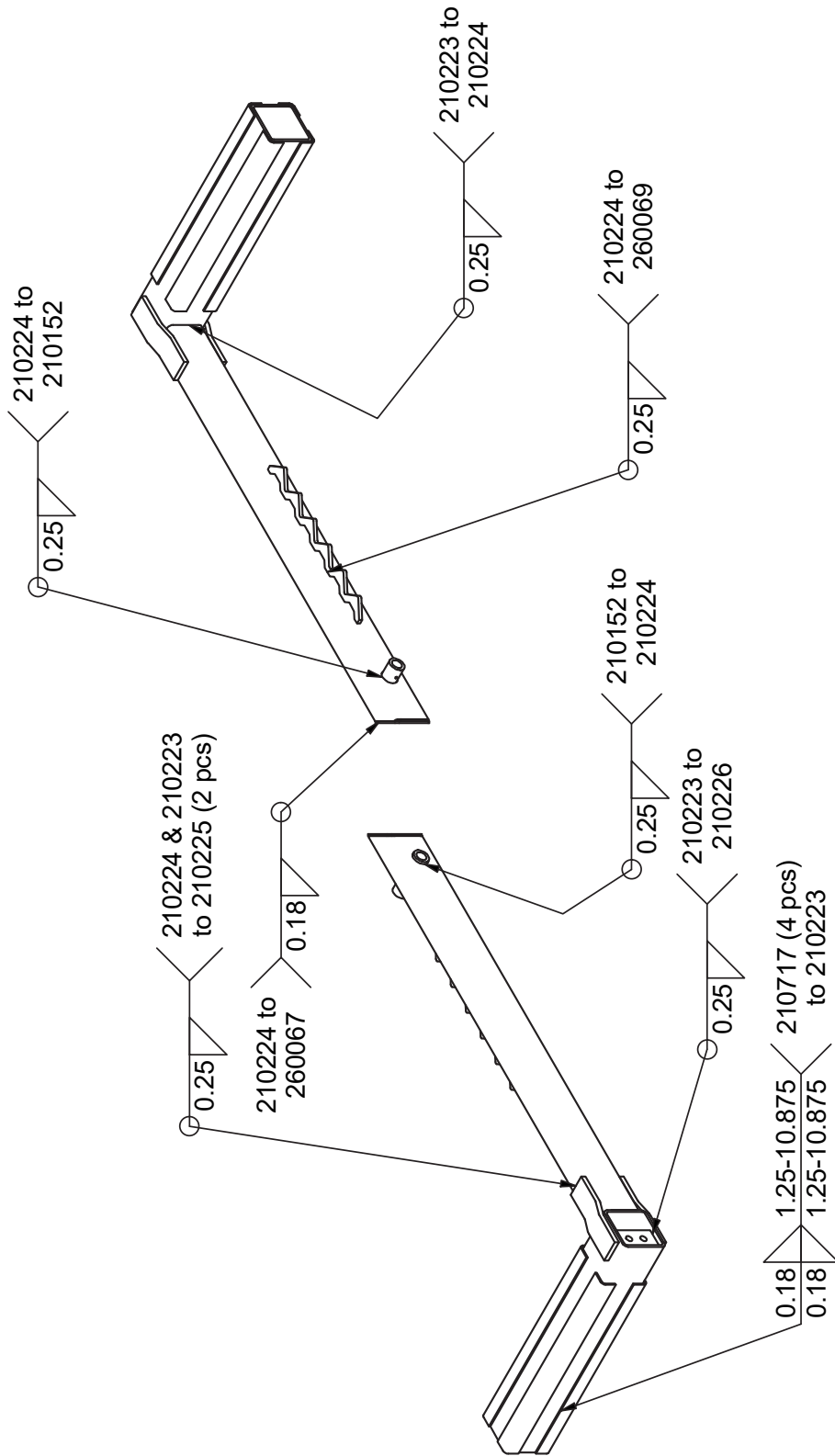
Paint: Black ▲ DETAIL B
SCALE 0.13 : 1

ITEM	QTY	PART #	DESCRIPTION
1	1	210152	BUSHING, SPINNER 165
2	1	210223	SLIDE TUBE, 265
3	1	210224	Tube, Squeeze Arm, 165
4	2	210225	REINFORCEMENT, ARM
5	1	210226	BRACKET, CYL. ROD
6	4	210717	Spacer, Slide Tube-fb Arm
7	1	260067	DUMMY ARM TUBE, 45° CAP
8	1	260069	GRIPPER TEETH, 3/8 PLATE

Gresse zerk hole is located this side of arm 210224. Hole is pointed away from 210223.

SECTION A-A
SCALE 1 / 15

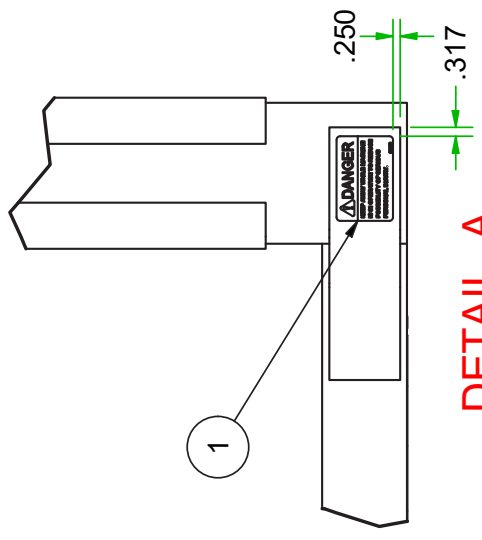
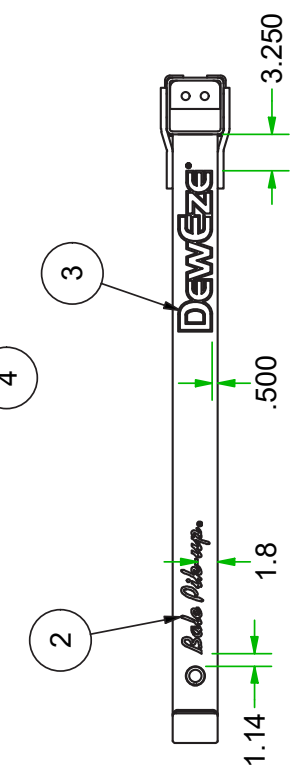
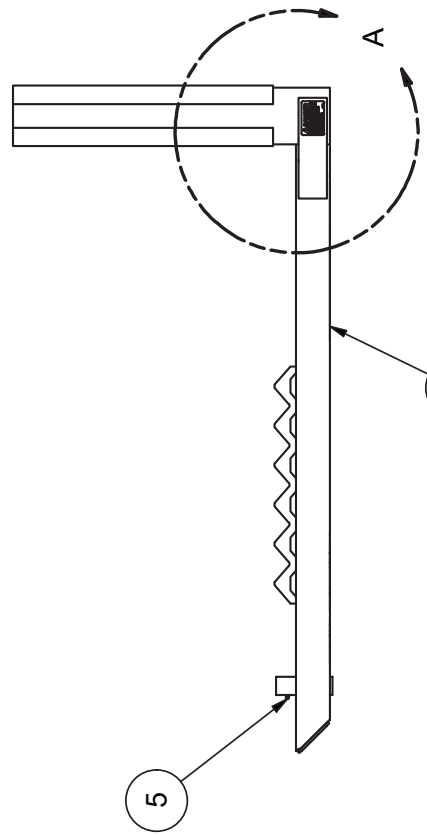
Hugger Arm Weldment



Hugger Arm Weldment

215420 REV: NC

Parts List		ITEM	QTY	PART #	DESCRIPTION
1	1	200010	DANGER DECAL		
2	1	202114	Decal, Bale Pik-up, Warm Silver		
3	1	202118	Decal, DewEze, Outline, Warm Silver		
4	1	215155	WELDMENT, HUGGER ARM, 165		
5	1	510174	GREASE ZERK, 1/4-28 ST		

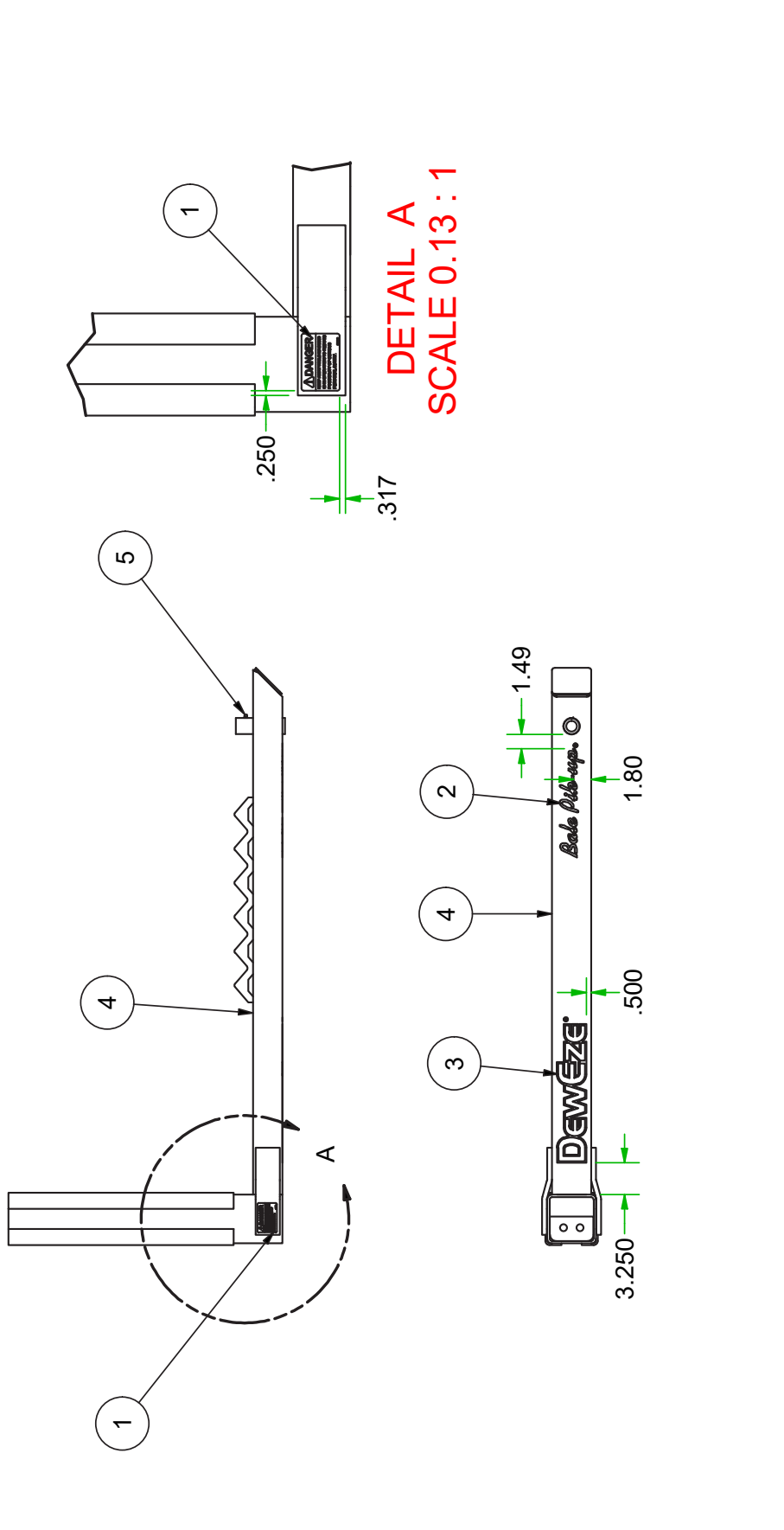


DETAIL A
SCALE 1 / 6

Left Squeeze Arm

Parts List

ITEM	QTY	PART #	DESCRIPTION
1	1	200010	DANGER DECAL
2	1	202114	Decal, Bale Pick-up, Warm Silver
3	1	202118	Decal, DewEze, Outline, Warm Silver
4	1	215155	WELDMENT, HUGGER ARM, 165
5	1	510174	GREASE ZERK, 1/4-28 ST



DETAIL A
SCALE 0.13 : 1

Right Squeeze Arm

220813 REV: NC

Parts List			
ITEM	QTY	PART #	DESCRIPTION
1	5 ft	120002	Hose, 3/8 Hydraulic, 1-Wire Braid
2	1	120325	HOSE END, 6-8MB
3	1	120459	HOSE END, 6-8MB

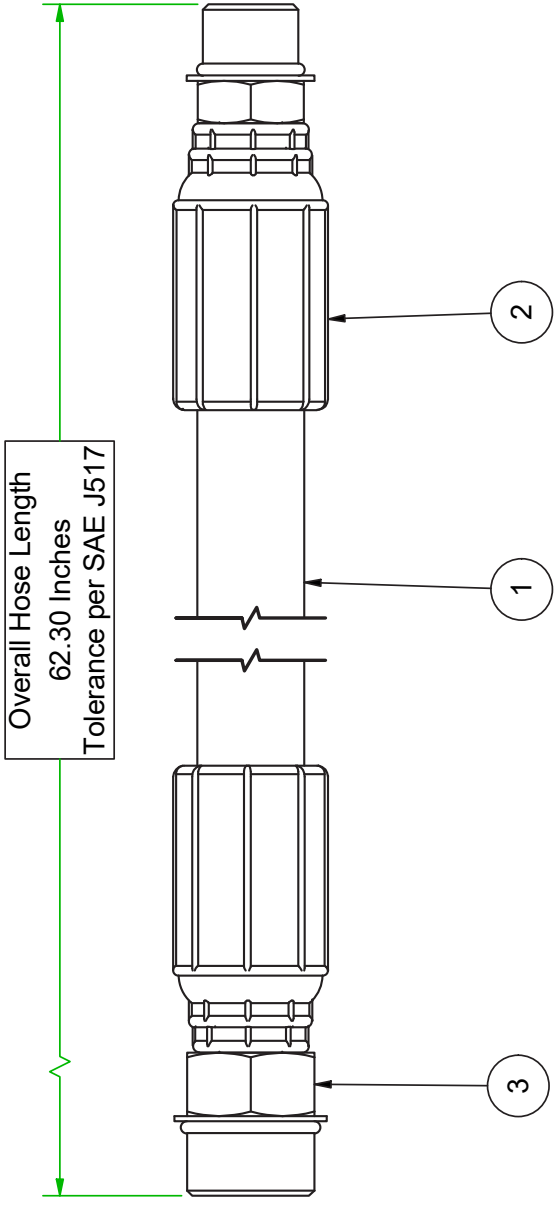
MEET OR EXCEEDS SAE 100R17

MAX WORKING PRESSURE: 3000 PSI

NOTE: Cut 120002 to 60" length.

NOTE: HOSE ASSY'S CAPPED OR PLUGGED

NOTE: HOSE ASSY'S CLEANED AND RINSED



Extend Hydraulic Hose
(lower hose)

Parts List			
ITEM	QTY	PART #	DESCRIPTION
1	5 ft	120002	Hose, 3/8 Hydraulic, 1-Wire Braid
2	1	120329	HOSE END, 6-6FJX
3	1	120459	HOSE END, 6-8MB

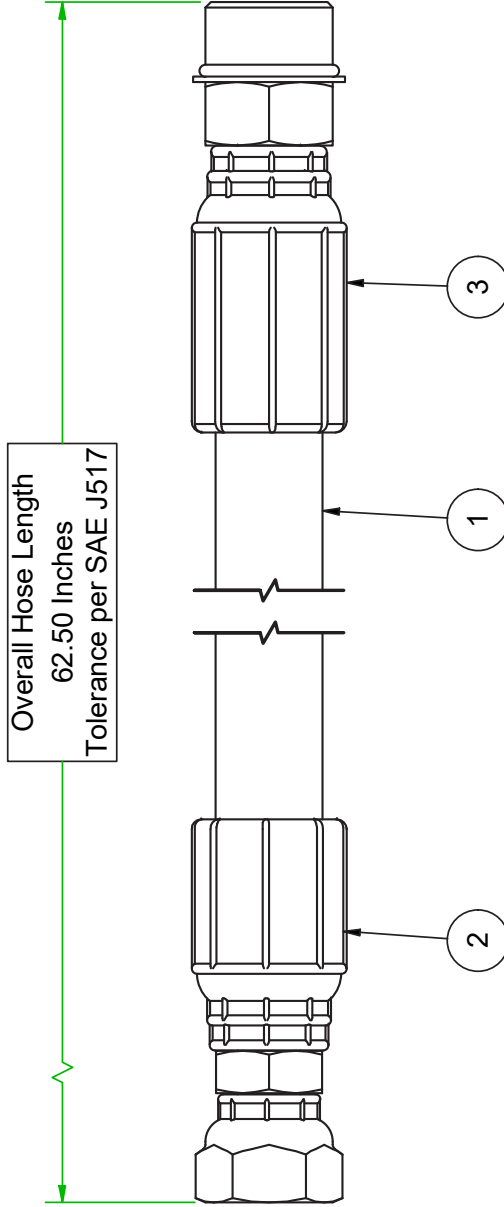
MEET OR EXCEEDS SAE 100R17

MAX WORKING PRESSURE: 3000 PSI

NOTE: Cut 120002 to 60" length.

NOTE: HOSE ASSY'S CAPPED OR PLUGGED

NOTE: HOSE ASSY'S CLEANED AND RINSED



Release Hydraulic Hose
(upper hose)