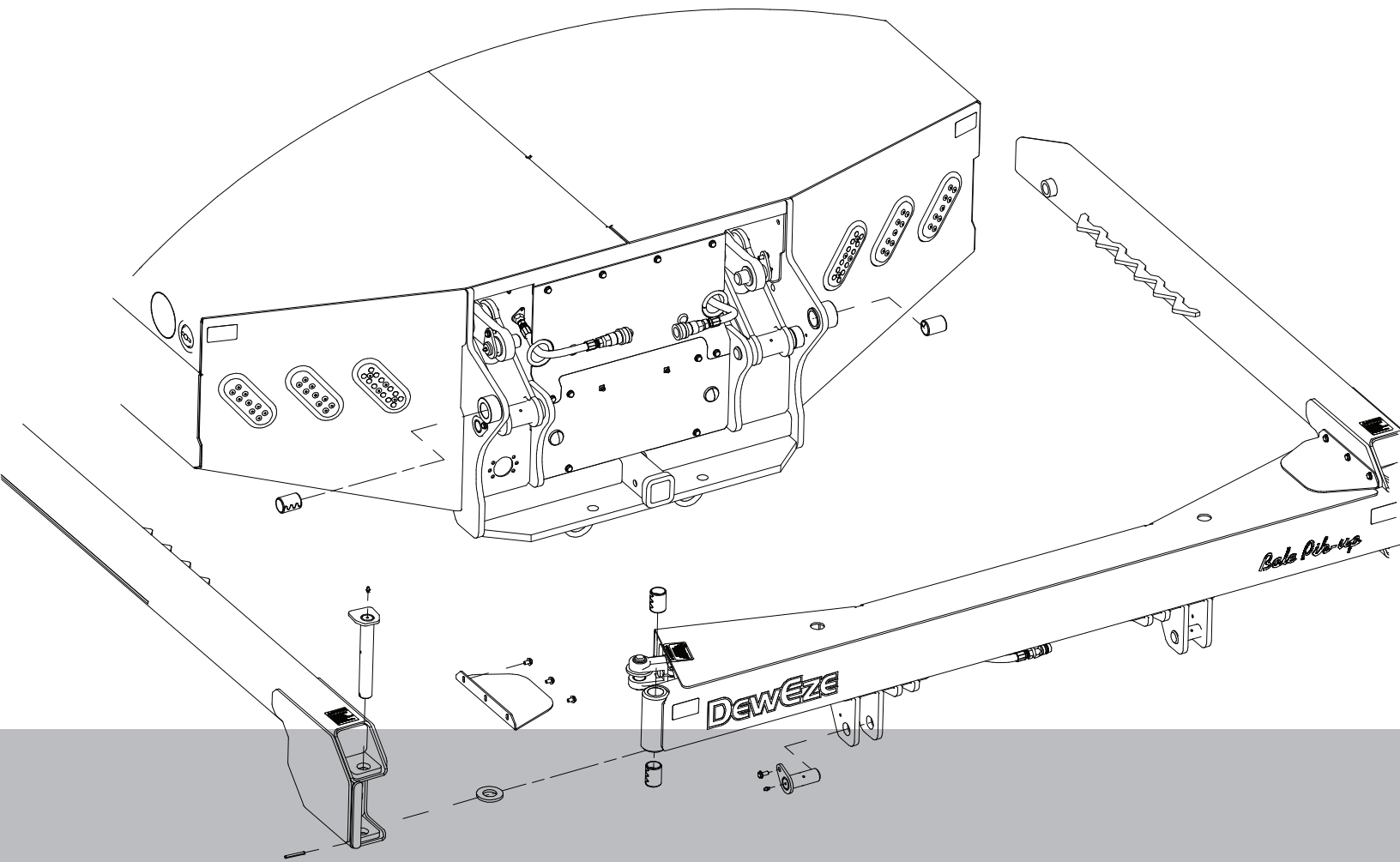


600/700 SERIES

PIVOT SQUEEZE



DeweZe®

Thank you for purchasing a DewEze Flatbed.

TO THE OWNER OR OPERATOR:

As with all Harper products, the 600 and 700 Series Flatbeds have been thoroughly tested and built to provide a sturdy, dependable product. The Flatbed is equipped with live hydraulics, which allows it to be used for a wide range of lifting and hauling tasks. This manual is written as an aid to operating and maintaining the DewEze Flatbed. Read and understand the manual thoroughly before operation to avoid damage to the unit or injury to the operator or bystanders.

A Flatbed can present hazards to an operator who follows unsafe procedures in either the operation or maintenance of the unit. Therefore, **SAFETY WARNINGS** are present at certain locations in the text. Harper Industries is not responsible for accidents or injuries that result from the misuse or lack of maintenance of the Flatbed.

SYMBOL:



SAFETY WARNING!



MEANING: Failure to understand and obey this warning may result in injury to you or others. Whenever this symbol is used, please pay very close attention to the information presented, and make sure you fully understand. If you do not, contact your dealer or Harper Industries for clarification.

///HARPER INDUSTRIES, INC.

151 E. HWY. 160 Harper, KS 67058
(620) 896-7381 • Fax (620) 896-7129

Toll Free 800-835-1042

Email info@deweze.com

Website www.deweze.com

© 2026 Harper Industries, Inc.

The Harper and DewEze names and the ATM logo are registered trademarks of Harper Industries, Inc. All other brand and product names are trademarks or registered trademarks of their respective companies.

Statement of Warranty 1/11/2025

Harper Industries, Inc. (HII) warrants to each purchaser of new DewEze Truck Bodies from an authorized dealer or representative, that such equipment is free of manufacturer's defects in workmanship and materials which appear while in normal service for a period of TWO YEARS commencing with delivery to the original user. The Flatbed hydraulic and electrical systems are warranted for a period of ONE YEAR.

The obligation of HII under this warranty is expressly limited, at our option, to replacement or repair at a service facility designated by Harper Industries or at the manufacturing plant in Harper, KS. A part will be replaced after inspection discloses it to have been defective. This warranty does not apply to defects caused by damage or unreasonable use (including failure to provide reasonable and necessary maintenance, or by performing functions without genuine DewEze Flatbed accessories) while in the possession of the consumer.

Warranty is limited to parts, labor and ground freight delivery of replacement parts. HII shall not be liable for the consequential damages of any kind, including but not limited to consequential labor costs or transportation charges in connection with replacement or repair of defective parts.

This warranty does not apply to parts subjected to misuse, abuse, alteration, improper or inadequate maintenance, or normal wear (including belts, battery, chains, filters).

ANY IMPLIED OR STATUTORY WARRANTIES, INCLUDING ANY WARRANTY OR MERCHANTABILITY OR FITNESS FOR A PARTICULAR PURPOSE, ARE EXPRESSLY LIMITED TO THE DURATION OF THIS WRITTEN WARRANTY. HII makes no other express warranty, nor is anyone authorized to make any on behalf of HII.

For further information please contact your nearest DewEze dealer.

RECORDS

Date of Purchase _____ / _____ / _____

Dealer's Name _____

Dealer's Phone _____

Serial Number Bed _____

Serial Number Pump _____

Table of Contents

OPERATOR SECTION

To the Owner or Operator.....	1
Warranty Statement.....	2
Table of Contents.....	3
Specifications.....	4
Feature Identification.....	5
Safety Guidelines	
General Equipment Safety.....	6
Flatbed Operation Safety.....	6
Hydraulic Safety.....	7
Operating Instructions	
Beginning Operation.....	7
Loading.....	7
Extending (option).....	7
Unloading.....	7
Unrolling.....	8
Storing the arms.....	8
Turning System Off.....	8
Maintenance	
Check Daily or Before Use.....	8
Lubrication.....	8
Hydraulic Oil.....	9
Hydraulic System.....	9
GatorHyde Protective Coating.....	9
Remote Control.....	9
Power Unit.....	9
Troubleshooting.....	10

PARTS SECTION

Standard Parts	
600/700 Common Parts.....	14-15
Dual Lift Common Parts.....	16-17
Dual Lift Common Hydraulics (Gen 3 Valve)..	18-19
Pivot Squeeze Parts	
Crosstube and Arms.....	20-21
XRM Crosstube and Arms.....	22
Hydraulics	
Pivot Squeeze Hydraulics.....	23
XRM Hydraulics.....	24-25
Pivot XRM Cylinder Assy.....	26
Non-Proportional Hydraulic Schematic.....	27
Hose Reference Form.....	28
Independent Arm Hydraulics.....	29
Hydraulic Reservoir Assy.....	30
Pivot Squeeze Valve and Filter.....	31-32
Valve (Hydac) Gen. 2 Dual Spade.....	33
Valve (Hydac) Gen. 3 Deutch 2014.....	34
Valve (Eaton) Gen. 3 Deutch 2015.....	35
Valve Suppressed (Hydac) Deutch 2016+.....	36
Electrical	
RF Control & Manual Switches.....	37
Hand Control Options.....	38-39
Switch, Clutch Control Assy.....	40
Lights and Harness.....	41-42

Replacements & Accessories

Decals, Safety and Operation.....	43-44
600/700 Pivot Squeeze Decals.....	45-46
Cargo Lights.....	47
Swingout Lights.....	48
LED Cargo Lights.....	49
LED Swingout Lights.....	50
Harness Adapters.....	51
Rear View Camera Option.....	52
Bed Mounting Kits.....	53
Across the Bed Toolbox.....	54
30" Toolbox & Fender Skirts.....	55
Front Skirt Toolbox Replacement.....	56
20" Toolbox.....	57
17" Toolbox.....	58
12" Toolbox (fits 20" mounting).....	59
770 Toolbox.....	60
Spinners and Risers.....	61
Other Accessories.....	62

Appendices

I	
GatorHyde Repair.....	64
II	
Remote Control.....	65-66
2-Bank Wiring - Kar-Tech Remote.....	67-68
3-Bank Wiring - Kar-Tech Remote.....	69-70
2-Bank - Gen 3 - Kar-Tech Remote.....	71-72
3-Bank - Gen 3 - Kar-Tech Remote.....	73-74
III	
Heavy Duty E/H Power Kit Install.....	75-76
HD E/H Kit.....	77-80
IV	
Independent Arm Control Hydraulics.....	81

Specifications

DewEze flatbeds are specifically designed to transport and feed round hay bales.

Model Specifications

MODEL	670	671	675	676	677	679	682	684
WIDTH	7' 1"	7'1"	7' 1"	7' 1"	7' 1"	7' 1"	7' 9"	7' 9"
LENGTH	7' 2"	7'7"	8' 6"	8' 11"	9' 4"	9' 8"	9' 4"	9' 8"
WEIGHT	2070#		2120#	2175#	2230#	2270#	2320#	2470#

687	688
7' 9"	7' 9"
11' 6"	11' 10"
2590#	2730#

MODEL	770	778	776	782	784	787	788
WIDTH	8'	8'	8'	8'	8'	8'	8'
LENGTH	7' 2"	8' 6"	8' 11"	9' 4"	9' 8"	11' 6"	11' 10"
WEIGHT	2130#	2170#	2240#	2320#	2470#	2590#	2730#

* Length of all flatbeds includes 6" for crosstube.

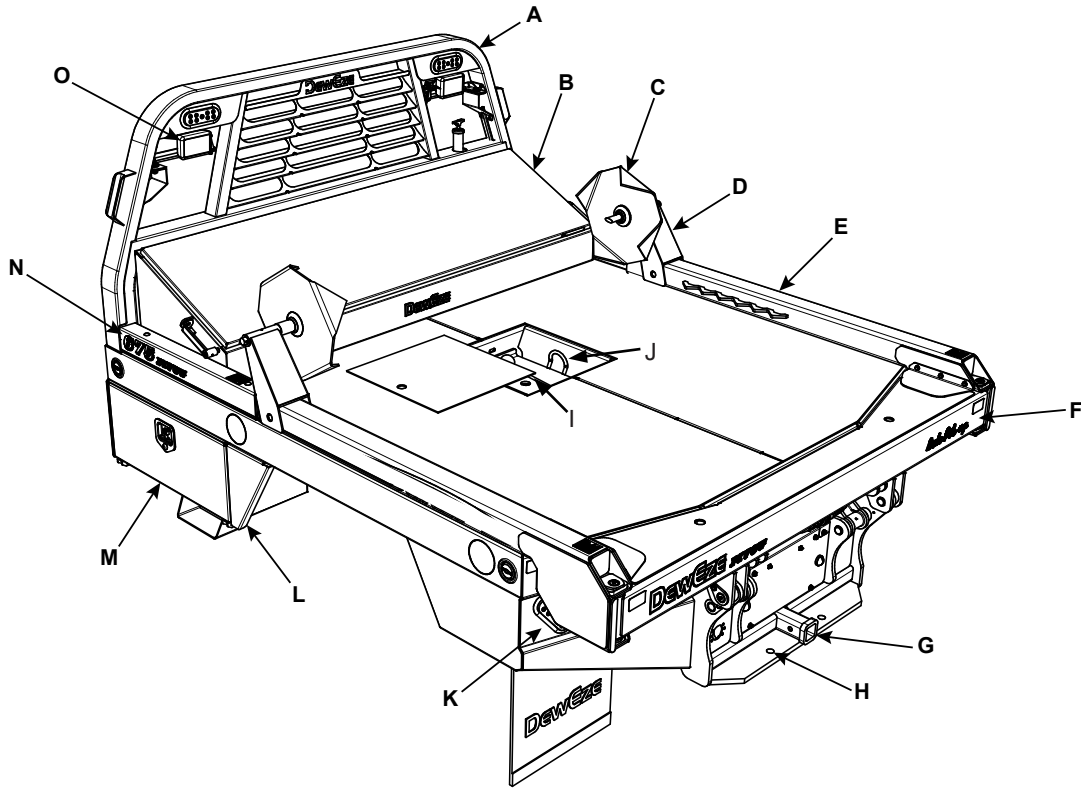
Hydraulic System Specifications

HYDRAULIC SYSTEM	Powered by engine driven pump	
SYSTEM PRESSURE	2450 psi	
OIL RESERVOIR CAPACITY	10 gallons	
OIL FILTER	DewEze 720043, WIX 51551 (10 micron)	
CYLINDER, LIFT (2)	3.50" x 16.62"	
CYLINDER, SQUEEZE	3.00" x 5.00"	Rephasing
	3.25" x 5.00"	

Protective Coating Specifications

PAINT	Heat-cured, polyurethane based paint
GATORHYDE	Long-lasting, textured polyurea surface

Feature Identification



A. Headache Rack – protects the rear pickup window. The hydraulic oil tank and valve are located in the headache rack.

B. Across-the-bed Toolbox (optional) – measures 78” wide, 15.5” tall and 21.5” deep and has a shelf mounted inside.

C & D. Spinners & Risers (optional) – used to unroll hay. The risers allow the hugger arms to lie flat on the bed with the spinners attached.

E. Hugger Arms – squeeze together to grip the bale and lift it onto the flatbed. When the arms are stored they serve as side rails for the flatbed.

F. Crosstube – houses the squeeze cylinder and guides the hugger arms.

G. Hitch Plate – allows for a 2” square receiver hitch and has holes for hitch pins.

H. Safety Chain Loops – always use safety chains when towing.

I. Gooseneck Hitch – located under a cover plate in the middle of the bed.

J. Safety Chain Loops – always use safety chains when towing.

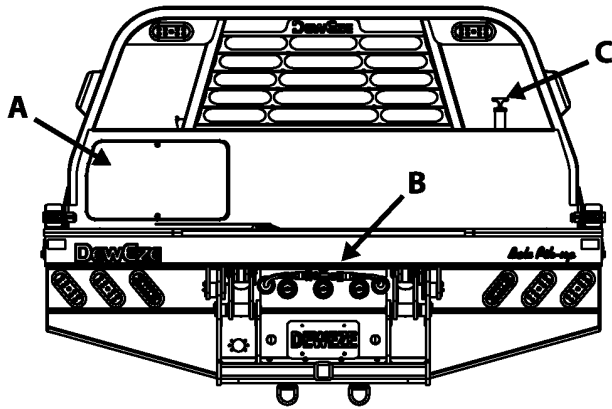
K. Lights – LED lighting for stop-tail-turn has long life and low current draw.

L & M. Skirts & Toolboxes (optional) – mount under front of bed on both sides. The Electric/Hydraulic Power unit mounts inside the left toolbox.

N. Dummy Arms – serve as side rail along with hugger arms.

O. Swing Lights (optional) – lights can be pivoted out wider than the bale when working at night.

Specifications



A. Valve Compartment – houses the hydraulic control valve, hydraulic oil filter and the radio frequency receiver.

B. Pioneer Couplers – connect hydraulic hoses to the squeeze cylinder – may also be used to connect to implements.

C. Hydraulic Oil Fill & Dipstick – check hydraulic oil level with dipstick – fill here when necessary.

Remote Control Transmitter – operates all functions of the flatbed – uses two AA batteries.



SAFETY WARNING!

Do not stand under the hugger arms when operating the bale pickup unit, even when arms are empty.

Operator safety is of utmost concern when designing and developing a new piece of equipment. Designers and manufacturers build in as many safety features as possible. However, every year many accidents occur which could have been avoided by a few seconds of thought and a more careful approach to handling equipment. Most accidents can be avoided by observing the precautions in this section. To avoid personal injury, study the safety warnings and cautions listed in this manual and follow them.

General Equipment Safety

- This equipment can be dangerous to children and persons unfamiliar with its operation. The operator should be a responsible adult familiar with farm machinery and trained for this unit.
- Do not attempt to operate equipment under the influence of drugs or alcohol.
- Do not allow persons to operate or assemble this unit until they have read this manual and have developed a thorough understanding of the safety precautions and how the unit works.
- Review the safety warnings and cautions with all users annually.

If you have any questions not answered in this manual or require additional copies, contact your dealer or Harper Industries.

Flatbed Operation Safety

- Replace any CAUTION, WARNING, DANGER or instruction decal that is not readable or is missing.
- Make sure all safety pins are in place and flatbed mounting bolts are secure to the truck frame.
- Make sure hinges, joints, and sliding parts are well greased, especially during off season to prevent rusting and binding.

- Check with truck dealer for any load limits, additional suspension or tire requirements. The flatbed's lifting capability may exceed the truck's load capacity in some instances.

Hydraulic Safety

- Do not operate the hydraulic system with the hood open.
- Do not activate the electric clutch unless the truck engine is at idle. Operating the clutch at road speeds can damage the hydraulic system.



SAFETY WARNING!

Hydraulic system operates under high pressure and escaping fluid can penetrate the skin.

Operating Instructions

Beginning Operation

- Turn the pump switch on the dash to the "ON" position. (Red light will indicate that pump is on).

CAUTION: In cold weather, let engine idle for 5-10 minutes with pump on before operating arms to warm oil. Neglecting to do so may cause hydraulic pump failure.

- Press and hold the power button on the transmitter until both LEDs turn on, then release.
- The green LED will flash rapidly when the communication has been established. If the receiver is off, the red LED will flash slowly.
- Press the corresponding buttons on the transmitter keypad to turn on and off each of the outputs.

Loading

- Back truck against bale with the arms wide apart and tilted slightly upward.
- Squeeze arms firmly against the bale.

- Lift the bale onto the truck.
- Release the bale and repeat the operation for the second bale.

CAUTION: When hauling one bale, make sure it is held tightly and rests on the bed. When hauling two bales make sure the second bale is as far forward as possible (Fig. 1). Carrying a bale behind the bed, as show in Fig 2, places excessive stress on the cylinder, linkage, and pins.

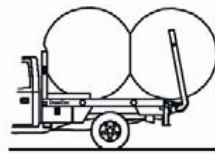


Fig. 1



Fig. 2

CAUTION: Do not exceed GVRW rating of truck when loading.

Extending (option)

- Always squeeze the bale with the arms in the retracted position.
- Extend the arms and release the bale.
- Fully retract the arms before laying them on the bed.

CAUTION: Squeezing the bale when the arms are extended puts excessive force on the arms and cross-tube and may result in bending the unit.

Unloading

- To unload, do the reverse of the loading operation.
- Spinners may sometimes be needed to grip the front bale for unloading.

Unrolling (option)

- Use risers and spinners to unroll a bale.
- Position the arms over the bale so the spinners are at the center of the bale.
- To unroll, lower the bale to the ground.
- Turn the pump off and push the FLOAT switch on the remote control.
- Slowly drive STRAIGHT forward. The bale will gradually unroll.

CAUTION: Turning while unrolling a bale may cause hugger arms to bend.

CAUTION: Failure to use FLOAT while unrolling may damage flatbed frame or lift cylinder. The FLOAT switch on the remote transmitter stays on until it is pressed a second time or another switch is activated. To avoid power loss, always deactivate the FLOAT when not in use.

Storing the Arms

- Close the arms partially and lay them on the flatbed.
- Open the arms until they are flush with the side of the bed. They now function with the dummy arms as side rails.

Turning System Off

- Turn the pump off when it is not in use.
- The remote control turns itself off automatically after 10 minutes.

CAUTION: Operating truck at road speeds or above 2,000 RPM with pump engaged may cause hydraulic pump failure.

Maintenance

Check Daily or Before Use

- Check the hydraulic oil level. Keep the level to "FULL" on the dipstick.
- Check the belt, belt tensioner and idler pulleys on engine clutch pump system.
- Examine the hydraulic hoses for leaks with an object such as cardboard.



SAFETY WARNING!

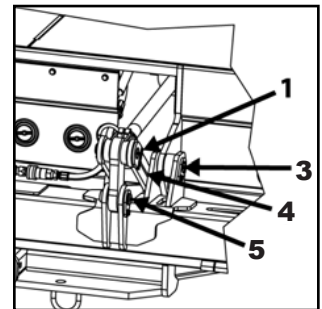
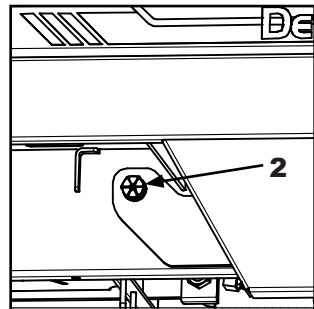


Hydraulic fluid escaping under pressure can penetrate the skin and may cause death if not treated immediately.

Lubrication

Grease the locations indicated in the illustrations below once per week while the unit is in use and at the end of each season (same locations on right and left).

1. Lift cylinder – rod end
2. Lift cylinder – base end
3. Cross-tube hinge
4. Idler arm base
5. Idler link pin

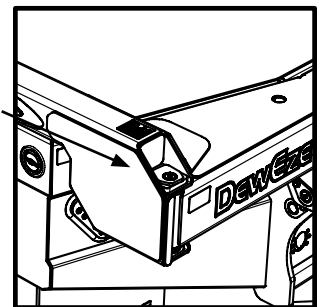
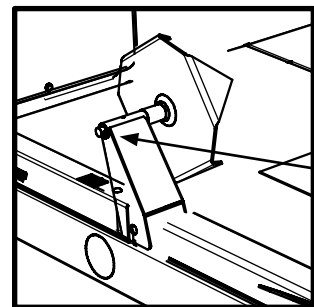


SAFETY WARNING!



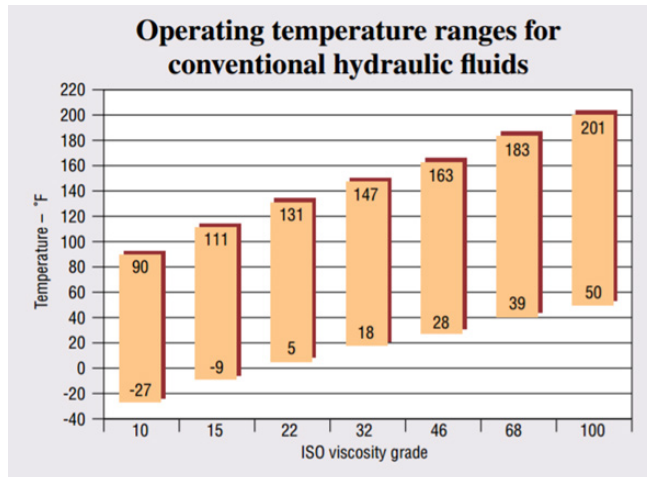
Use extreme caution when greasing the flatbed. Completely lower arms to expose rear zerks and turn off ignition.

6. Pivot
7. Riser (option)



Hydraulic Oil

- Hydraulic fluid selection will affect the performance of the hydraulic system.



- Consult your local oil supplier for help in selection of a hydraulic fluid appropriate for your area. Consideration will also need to be given as to whether the system is a clutch pump or electric over hydraulic.
- Change the hydraulic oil filter after the first 40 hours of use and then every 250 hours, or annually thereafter.
- Change the hydraulic oil if it becomes contaminated or turns milky in appearance.
- If other hydraulic equipment is connected to the system, the oil will intermix and cold weather viscosity may be lost.

Hydraulic System

- If the quick-couplers leak, the o-rings may need to be replaced.
- High heat, 190° or greater, can be damaging to the hydraulic system. Feel various parts of the system to make sure there are no “hot spots” which may indicate a problem.
- In the off season, run the bed at least twice a month to prevent valve condensation.

- For easy hookup of the couplers, turn the pump switch off and activate the control valve switches with the ignition on. This will release pressure in the lines.

GatorHyde Protective Coating

- In the event that damage should occur to the GatorHyde protective coating, repair materials are available from your DewEze dealer to fix small areas. Follow the instructions provided in Appendix I.

Remote Control

- The remote control transmitter has two LED indicators, the green TRANSMIT indicator and the red BATTERY / DIAGNOSTIC indicator.
- The green TRANSMIT indicator flashes rapidly whenever there is communication between the transmitter and the receiver.
- The red BATTERY / DIAGNOSTIC indicator starts blinking once every second when the battery voltage is low and requires replacement. It also blinks when there is a problem with the system in the form of an error code. Refer to the ERROR CODE CHART in Appendix II.
- To synchronize a new transmitter and receiver together, refer to the TEACH ID CODE instructions in Appendix II.

Power Unit

- If the flatbed is powered with a DewEze Under-the-Hood hydraulic system, refer to the following chart when troubleshooting.
- See Appendix III if the flatbed is powered with the Electric/Hydraulic power unit.

Troubleshooting

Problem	Symptom	Possible Solutions
Hydraulic Pump	No Oil Flow	<ul style="list-style-type: none"> CHECK OIL LEVEL IN RESERVOIR. If oil level is low, check for leaks in system then re-fill to FULL. CHECK BELT TENSION. Replace tensioner or tighten idlers if needed. Replace belt if worn. CHECK FOR SHEARED KEY ON PUMP SHAFT. Replace key. CHECK IF SUCTION HOSE COLLAPSES IN SUCTION. Locate and remove obstruction. CLUTCH NOT FUNCTIONING. See possible clutch solutions. INTERNAL PUMP DAMAGE. Seek assistance from dealer.
Hydraulic Pump	No Oil Pressure	<ul style="list-style-type: none"> HYDRAULIC OIL LEAKS IN SYSTEM. <u>Take safety precautions</u> and check for leaks. Tighten fittings and replace damaged hoses. CHECK FOR MALFUNCTIONING SWITCH. Replace switches. BELT OR CLUTCH MAY BE SLIPPING. Replace tensioner or tighten idlers if needed. Replace belt if worn. VALVE NOT FUNCTIONING. Check for disconnected wires at solenoid or rusted ground wires. Seek assistance from dealer if valve continues to be unresponsive. PRESSURE RELIEF MAY BE SET TOO LOW OR BROKEN. Seek assistance from dealer. CAUTION: PRESSURE EXCEEDING 2,600 PSI CAN DAMAGE THE PUMP. PUMP IS WORN OR DAMAGED. Seek assistance from dealer.
Clutch	Does Not Engage	<ul style="list-style-type: none"> CHECK FOR BLOWN FUSE. Replace fuse. CAUTION: FUSE SHOULD NOT EXCEED 30 AMPS CHECK WIRE TO CLUTCH. Insure there are no breaks or shorts. CHECK FOR BAD SWITCHES IN SYSTEM. Replace switches. CLUTCH IS WORN OUT. Seek assistance from dealer.
Belt(s)	Jumps Off Pulley	<ul style="list-style-type: none"> BELT(S) TOO LOOSE. Replace tensioner or tighten idler pulleys. CHECK FOR EXCESSIVE BELT WEAR. Replace worn belt(s). CHECK FOR LOOSE PUMP BRACKET. Tighten loose bolts. Replace broken bolts. CHECK CRANKSHAFT PULLEY FOR LOOSE OR BROKEN BOLTS. Tighten loose bolts. Replace broken bolts. CHECK ALIGNMENT OF IDLER PULLEYS AND CONDITION OF BEARINGS. Re-align idler pulleys or replace worn idler pulleys. CHECK ALIGNMENT OF CLUTCH AND CRANKSHAFT PULLEY. If misalignment is visible, seek assistance from dealer.



SAFETY WARNING!



Use extreme caution when inspecting an engine. Serious injury or death could result from getting too close! Remove key from ignition when servicing.

DewEze®

PIVOT SQUEEZE

PARTS

Table of Contents

PARTS SECTION

Standard Parts	
600/700 Common Parts.....	14-15
Dual Lift Common Parts.....	16-17
Dual Lift Common Hydraulics (Gen 3 Valve).....	18-19
Pivot Squeeze Parts	
Crosstube and Arms.....	20-21
XRM Crosstube and Arms.....	22
Hydraulics	
Pivot Squeeze Hydraulics.....	23
XRM Hydraulics.....	24-25
Pivot XRM Cylinder Assy.....	26
Non-Proportional Hydraulic Schematic.....	27
Hose Reference Form.....	28
Independent Arm Hydraulics.....	29
Hydraulic Reservoir Assy.....	30
Pivot Squeeze Valve and Filter.....	31-32
Valve (Hydac) Gen. 2 Dual Spade.....	33
Valve (Hydac) Gen. 3 Deutch 2014.....	34
Valve (Eaton) Gen. 3 Deutch 2015.....	35
Valve Suppressed (Hydac) Deutch 2016+.....	36
Electrical	
RF Control & Manual Switches.....	37
Hand Control Options.....	38-39
Switch, Clutch Control Assy.....	40
Lights and Harness.....	41-42
Replacements & Accessories	
Decals, Safety and Operation.....	43-44
600/700 Pivot Squeeze Decals.....	45-46
Cargo Lights.....	47
Swingout Lights.....	48
LED Cargo Lights.....	49
LED Swingout Lights.....	50
Rear View Camera Option.....	51
30" Toolbox & Fender Skirts.....	52
20" Toolbox.....	53
17" Toolbox.....	54
12" Toolbox (fits 20" mounting).....	55
770 Toolbox.....	56
Across the Bed Toolbox.....	57
Spinners and Risers.....	58
Other Accessories.....	59
Front Skirt Toolbox Replacement.....	60

Appendices

I	
GatorHyde Repair.....	62
II	
Remote Control.....	63-64
2-Bank Wiring - Kar-Tech Remote.....	65-66
3-Bank Wiring - Kar-Tech Remote.....	67-68
2-Bank - Gen 3 - Kar-Tech Remote.....	69-70
3-Bank - Gen 3 - Kar-Tech Remote.....	71-72
III	
Heavy Duty E/H Power Kit Install.....	73-74
HD E/H Kit.....	75-78
IV	
Independent Arm Control Hydraulics.....	79

DUMMY ARMS

BED MODELS	STANDARD	BEEFCAKE 1000		BEEFCAKE 1500		BEEFCAKE 2000	
	Drv & Pass	Drv Front	Drv Rear	Drv Front	Drv Rear	Drv Front	Drv Rear
670	215189	NA	NA	NA	NA	NA	NA
671	215384	NA	NA	NA	NA	NA	NA
675	215150	215353	215354	NA	NA	NA	NA
676	215249	215353	215356	215355	215354	NA	NA
677	215191	215353	215357	215355	215356	NA	NA
679	215208	215353	215358	215355	215357	215355	215356
682	215145	215359	215357	215360	215356	NA	NA
684	215193	215359	215358	215360	215357	215360	215356
687	215198	NA	NA	215360	215361	215360	215361
688	215200	NA	NA	215360	215362	215360	215362
770	215210	NA	NA	NA	NA	NA	NA
778	215160	215363	215364	NA	NA	NA	NA
776	215257	215363	215365	215367	215366	NA	NA
782	215158	215363	215368	215367	215369	NA	NA
784	215202	215363	215370	215367	215371	215367	215372
787	215204	NA	NA	215367	215373	215367	215373
788	215206	NA	NA	215367	215374	215367	215374

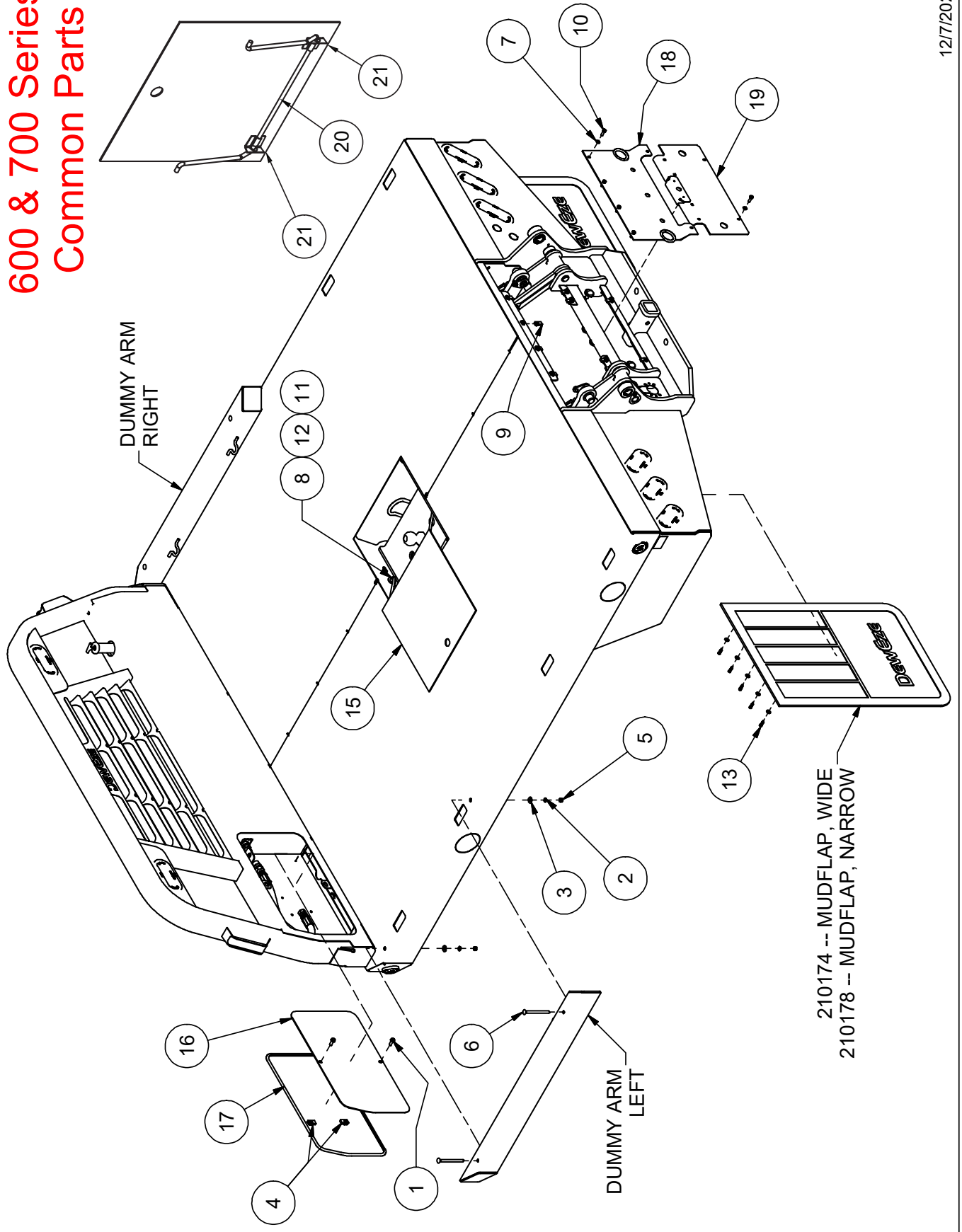
600 & 700 Series Common Parts

Parts List

ITEM	QTY	PART #	DESCRIPTION
1	2	110440	BOLT, 3/8-16 X 1, WIZ FLANGE
2	4	110672	WASHER, 3/8" LOCK
3	4	110676	WASHER, 3/8" FLAT STANDARD
4	2	110804	NUT, 3/8-16 U-TYPE .75L
5	4	110826	NUT, 3/8-16 GR 5
6	4	110846	Bolt, 3/8-16 X 5 in Carriage
7	10	110069	WASHER, 5/16" FLAT SAE
8	2	110244	BOLT, 1/2-13 X 1.5 SHCS
9	10	110319	NUT, 5/16-18 U-TYPE .75L
10	10	110423	BOLT, 5/16-18 X 1.0
11	2	110588	NUT, 1/2-13 WIZ FLANGE
12	2	110658	WASHER, 1/2" FLAT STANDARD
13	1	205043	INSTALL HARDWARE
14	1	210459	HITCH BALL AND NUT
15	1	215128	BALL WELL DOOR WELDMENT
16	1	211202	VALVE COVER
17	1	211481	Molding, Valve Cover (200249)
18	1	215230	CENTER TAILBOARD DOOR WELDMENT, UPPER
19	1	215400	Weldment, Tailboard Camera Mount
20	1	210892	Hinge Rod, Lid Recessed Well
21	2	210920	Hinge Clip

12/7/2021

600 & 700 Series Common Parts



12/7/2021

Dual Lift Common Parts

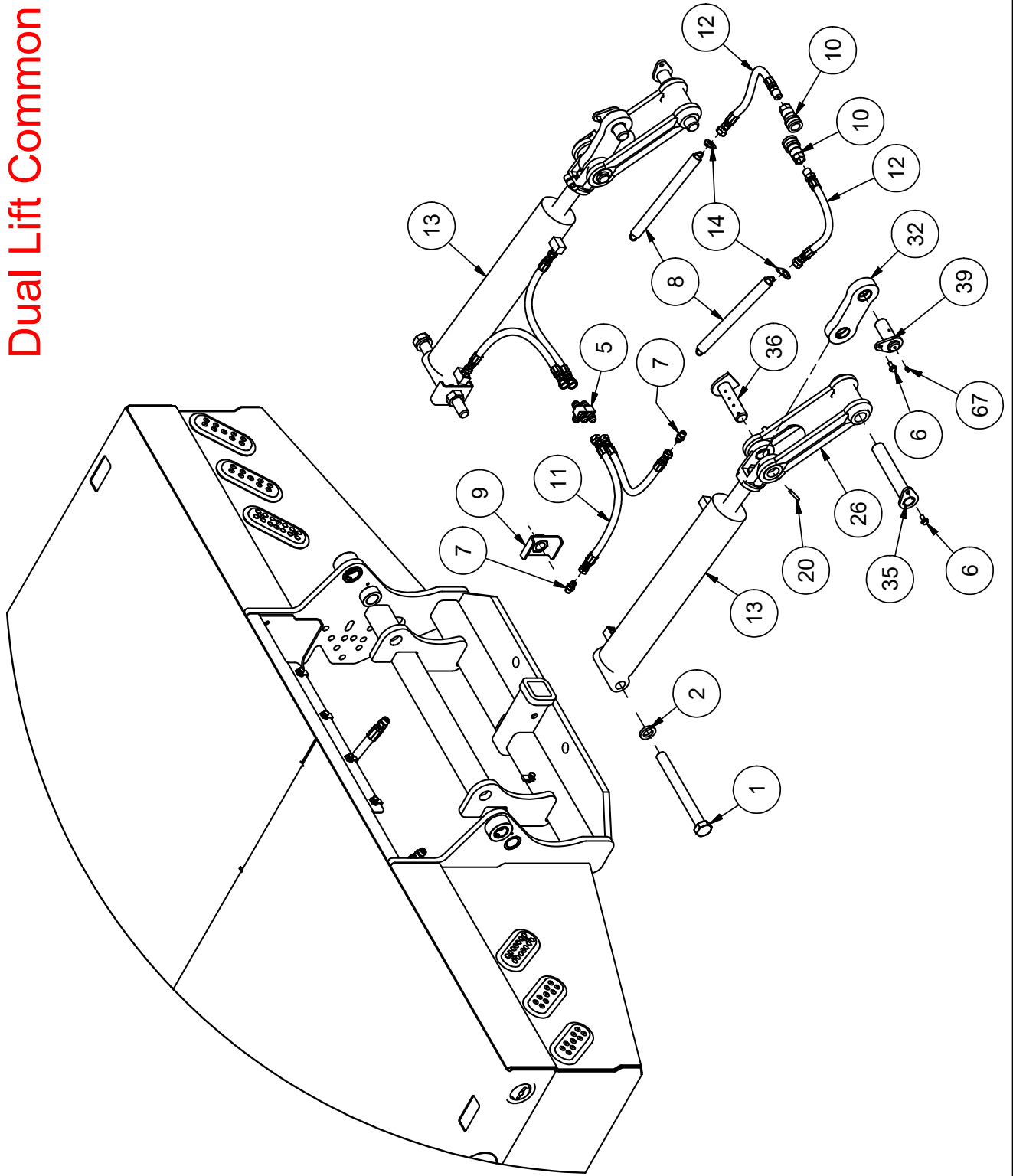
Dual Lift Cylinders
Production Part# 222129
Seal Kit Part# 212012

Parts List			
ITEM	QTY	PART #	DESCRIPTION
1	2	110352	BOLT, 1-8 X 10, GR8
6	10	110444	BOLT, 5/16-18 X 0.75, WIZ FLANGE
2	2	110649	WASHER, 1" LOCK
5	2	120242	ADAPTER, 8MJ-8MJ-8MJ
7	4	120319	ADAPTER, 6MJ-6MB
20	2	200150	ROLL PIN, 1/4 X 2
8	2	202022	SPRING, 1" O.D. X 12" L X .105 WIRE
26	2	210935	IDLER ARM, MACHINE DWG.
32	2	214002	PUSH ARM ASSY, DUAL LIFT
35	2	215141	PIN WELDMENT, 1-1/4 X 7
36	2	215142	PIN WELDMENT, 1-1/4 X 4
9	2	215144	KEEPER, 1 IN NUT, WELDMENT
39	2	215148	PIN WELDMENT, CROSSTUBE LINK
10	2	220084	COUPLER, PIONEER FEMALE
11	4	220681	HOSE ASSY, FLATBED DUAL LIFT
12	2	220682	HOSE ASSY, FLATBED SQUEEZE SHORT
13	2	222129	LIFT CYLINDER 3.50 X 16.6
14	2	260111	MOUNT, HOSE SPRING
67	8	510174	GREASE ZERK, 1/4-28 ST

600 - 700 WITH GENERATION 2 VALVES

COMMON HOSES	SQUEEZE HOSES SHORT	LIFT HOSES SHORT	RESERVOIR RETURN	HYDRAULIC HOSE KIT #
	6MTF3 - 8FJX / 8MP 2 ea.	8M3K - 6FJX / 8FJX 4 ea.	12-10FJX / 12-12MPX90 1 ea.	
	220682 (17 in.)	220681 (17 in.)	220691 (12.25 in.)	223033
FLATBED LENGTH	SQUEEZE HOSES	LIFT HOSES		
80 in.	8M3K - 8FJX / 8MJ 2 ea.	8M3K - 6FJX / 8FJX 2 ea.		223034
96 in.	220683 (106 in.)	220687 (76 in.)		223036
106-110 in.	220685 (132 in.)	220689 (111 in.)		223036
132-136 in.	220685 (132 in.)	220689 (111 in.)		223036
	220686 (158 in.)	220690 (137 in.)		223037

Dual Lift Common Parts



8/9/2013

Dual Lift Common Hydraulics With Generation 3 Valve

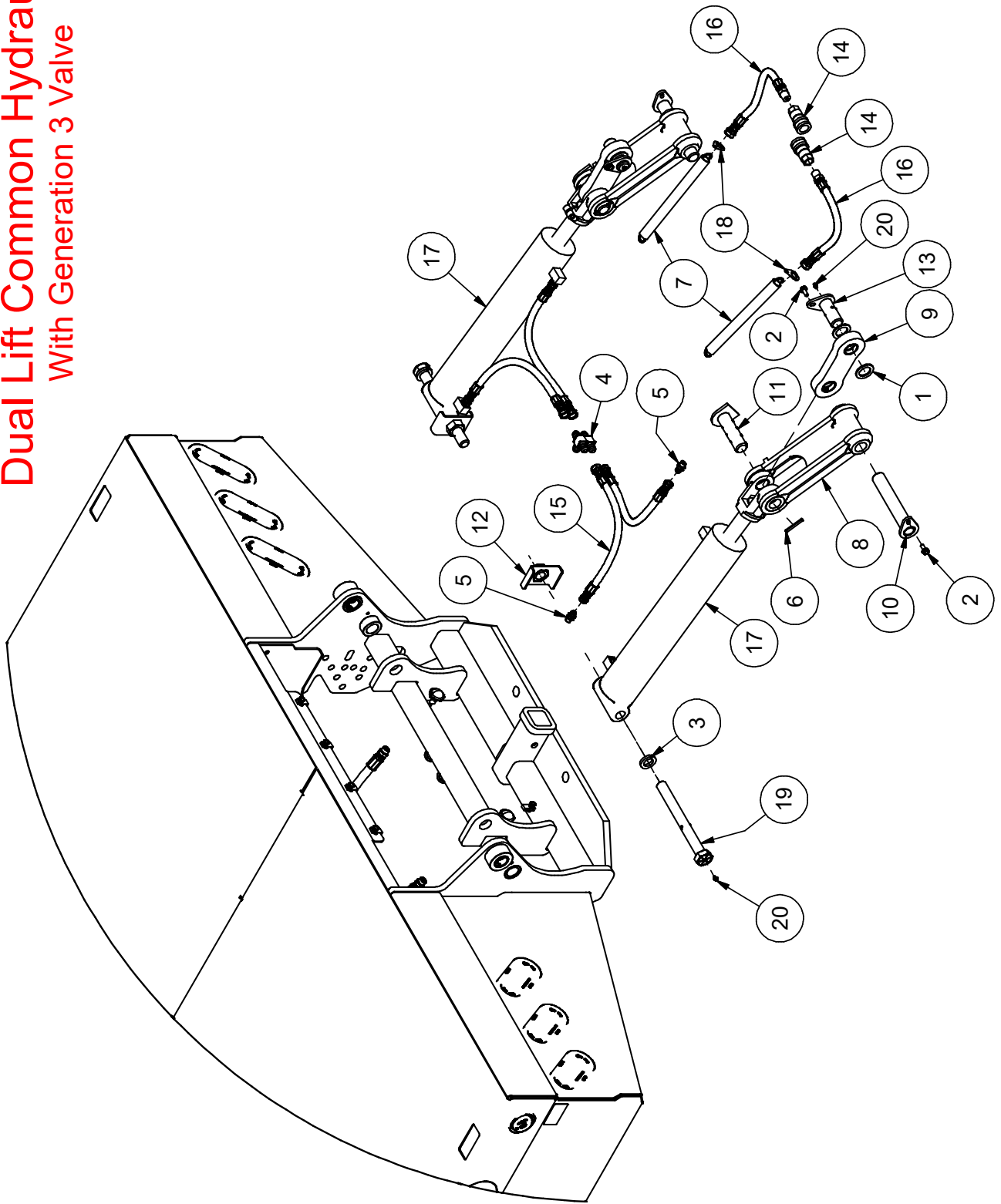
Dual Lift Cylinders
Production Part# 222129
Seal Kit Part# 212012

Parts List			
ITEM	QTY	PART #	DESCRIPTION
1	4	110336	WASHER, 1-1/4" FLAT MACHINE
2	10	110444	BOLT, 5/16-18 X 0.75, WIZ FLANGE
3	2	110649	WASHER, 1" LOCK
4	2	120242	ADAPTER, 8MJ-8MJ-8MJ
5	4	120319	ADAPTER, 6MJ-6MB
6	2	200150	ROLL PIN, 1/4 X 2
7	2	202022	SPRING, 1" O.D. X 12" L X .105 WIRE
8	2	210935	IDLER ARM, MACHINE DWG.
9	2	214002	PUSH ARM ASSY, DUAL LIFT
10	2	215141	PIN WELDMENT, 1-1/4 X 7
11	2	215142	PIN WELDMENT, 1-1/4 X 4
12	2	215144	KEEPER, 1 IN NUT, WELDMENT
13	2	215148	PIN WELDMENT, CROSSTUBE LINK
14	2	220084	COUPLER, PIONEER FEMALE
15	4	220681	HOSE ASSY, FLATBED DUAL LIFT
16	2	220682	HOSE ASSY, FLATBED SQUEEZE SHORT
17	2	222129	LIFT CYLINDER 3.50 X 16.6
18	2	260111	MOUNT, HOSE SPRING
19	2	260760	Bolt, 1-8 x 10, Greasable
20	10	510174	GREASE ZERK, 1/4-28 ST

600 - 700 WITH GENERATION 3 VALVES

COMMON HOSES	SQUEEZE HOSES SHORT	LIFT HOSES SHORT	RESERVOIR RETURN	HYDRAULIC HOSE KIT #
	6MTF3 - 8FJX / 8MP 2 ea.	8M3K - 6FJX / 8FJX 4 ea.	12-10FJX / 12-12FJX 1 ea.	
	220682 (17 in.)	220681 (17 in.)	220723 (25 in.)	223051
FLATBED LENGTH	SQUEEZE HOSES	LIFT HOSES		
	8M3K - 8FJX / 8MJ 2 ea.	8M3K - 6FJX / 8FJX 2 ea.		
80 in.	220683 (106 in.)	220687 (76 in.)		223034
96 & 101 in.	220685 (132 in.)	220689 (111 in.)		223036
106-110 in.	220685 (132 in.)	220689 (111 in.)		223036
132-136 in.	220686 (158 in.)	220690 (137 in.)		223037

Dual Lift Common Hydraulics With Generation 3 Valve

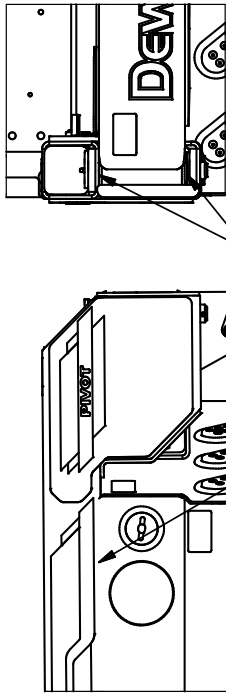


12/4/2019

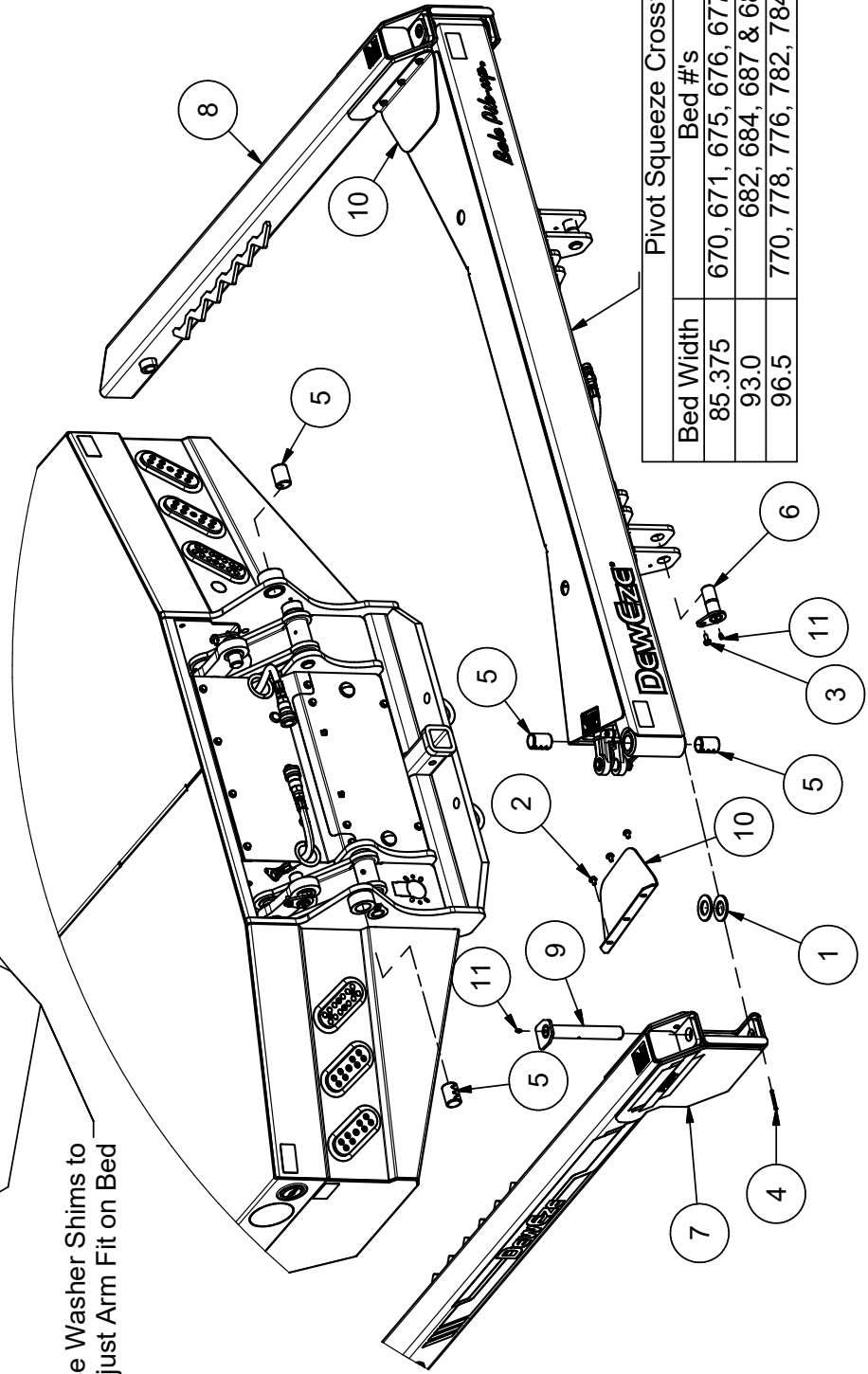
Pivot Squeeze Crosstube & Arms

Parts List

ITEM	QTY	PART #	DESCRIPTION
1	4	110041	WASHER, 1-1/4" FLAT SAE
2	6	110426	BOLT, 5/16-18 X 0.5, WIZ FLANGE
3	2	110444	BOLT, 5/16-18 X 0.75, WIZ FLANGE
4	2	200150	ROLL PIN, 1/4 X 2
5	6	202023	BUSHING, 1.5 X 1.25 X 2.0 SPLIT CG/ID
6	2	215140	PIN WELDMENT, 1-1/4 X 3
7	1	215237	Weldment, Pivot Squeeze Arm Left
8	1	215238	Weldment, Pivot Squeeze Arm Right
9	2	215239	Weldment, Pivot Pin
10	2	260384	Shield, Pivot Arm
11	4	510174	GREASE ZERK, 1/4-28 ST



Use Washer Shims to Adjust Arm Fit on Bed



Pivot Squeeze Crosstubes

Bed Width	Bed #s	Part #
85.375	670, 671, 675, 676, 677 & 679	212052
93.0	682, 684, 687 & 688	212053
96.5	770, 778, 776, 782, 784 & 788	212054

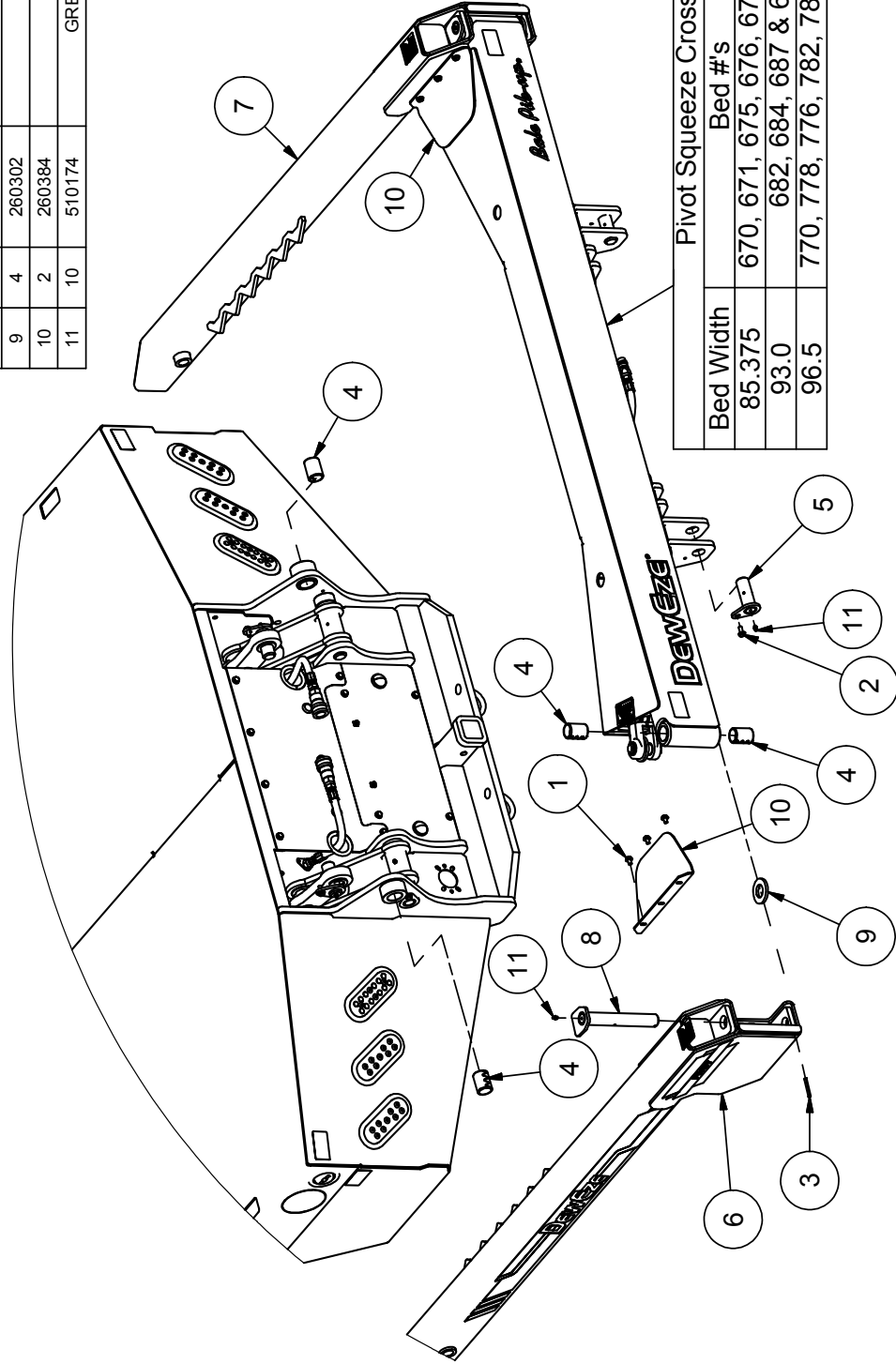
6/29/2021

Pivot Squeeze Crosstube & Arms

Starting S/N's 2014

Parts List

ITEM	QTY	PART #	DESCRIPTION
1	6	110426	BOLT, 5/16-18 X 0.5, WIZ FLANGE
2	10	110444	BOLT, 5/16-18 X 0.75, WIZ FLANGE
3	4	200150	ROLL PIN, 1/4 X 2
4	6	202023	BUSHING, 1.5 X 1.25 X 2.0 SPLIT CG/ID
5	2	215140	PIN WELDMENT, 1-1/4 X 3
6	1	215237	Weldment, Pivot Squeeze Arm Left
7	1	215238	Weldment, Pivot Squeeze Arm Right
8	2	215239	Weldment, Pivot Pin
9	4	260302	Shim Washer
10	2	260384	Shield, Pivot Arm
11	10	510174	GREASE ZERK, 1/4-28 ST

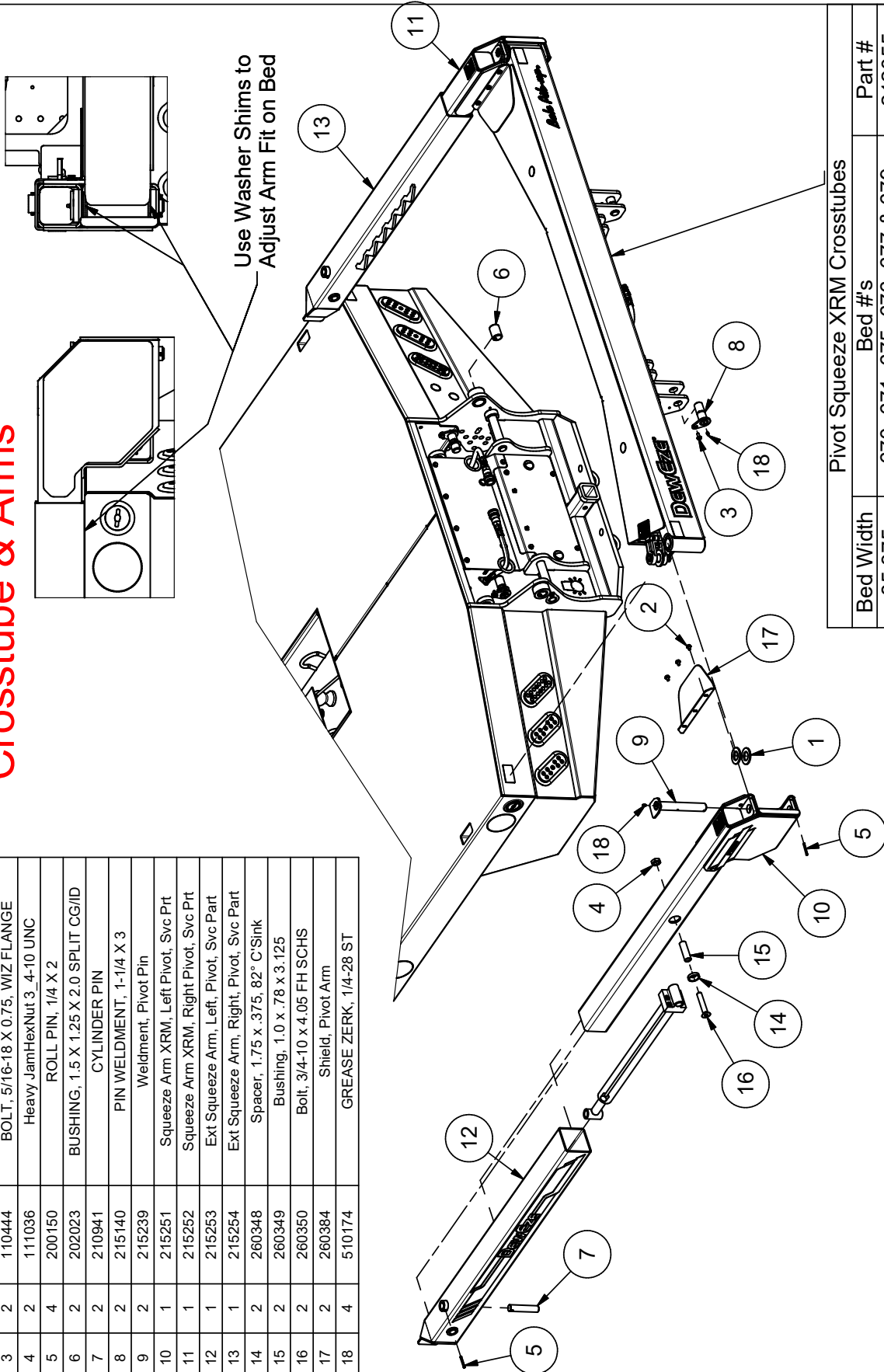


Pivot Squeeze Crosstubes

Bed Width	Bed #'s	Part #
85.375	670, 671, 675, 676, 677 & 679	212052
93.0	682, 684, 687 & 688	212053
96.5	770, 778, 776, 782, 784 & 788	212054

**Pivot Squeeze XRM
Crosstube & Arms**

Parts List		DESCRIPTION
ITEM	QTY	PART # DESCRIPTION
1	4	110041 WASHER, 1-1/4" FLAT SAE
2	6	110426 BOLT, 5/16-18 X 0.5, WIZ FLANGE
3	2	110444 BOLT, 5/16-18 X 0.75, WIZ FLANGE
4	2	111036 Heavy JamHexNut 3-4-10 UNC
5	4	200150 ROLL PIN, 1/4 X 2
6	2	202023 BUSHING, 1.5 X 1.25 X 2.0 SPLIT CG/ID
7	2	210941 CYLINDER PIN
8	2	215140 PIN WELDMENT, 1-1/4 X 3
9	2	215239 Weldment, Pivot Pin
10	1	215251 Squeeze Arm XRM, Left Pivot, Svc Pnt
11	1	215252 Squeeze Arm XRM, Right Pivot, Svc Pnt
12	1	215253 Ext Squeeze Arm, Left, Pivot, Svc Part
13	1	215254 Ext Squeeze Arm, Right, Pivot, Svc Part
14	2	260348 Spacer, 1.75 x .375, 82° C'Sink
15	2	260349 Bushing, 1.0 x .78 x 3.125
16	2	260350 Bolt, 3/4-10 x 4.05 FH SCHS
17	2	260384 Shield, Pivot Arm
18	4	510174 GREASE ZERK, 1/4-28 ST



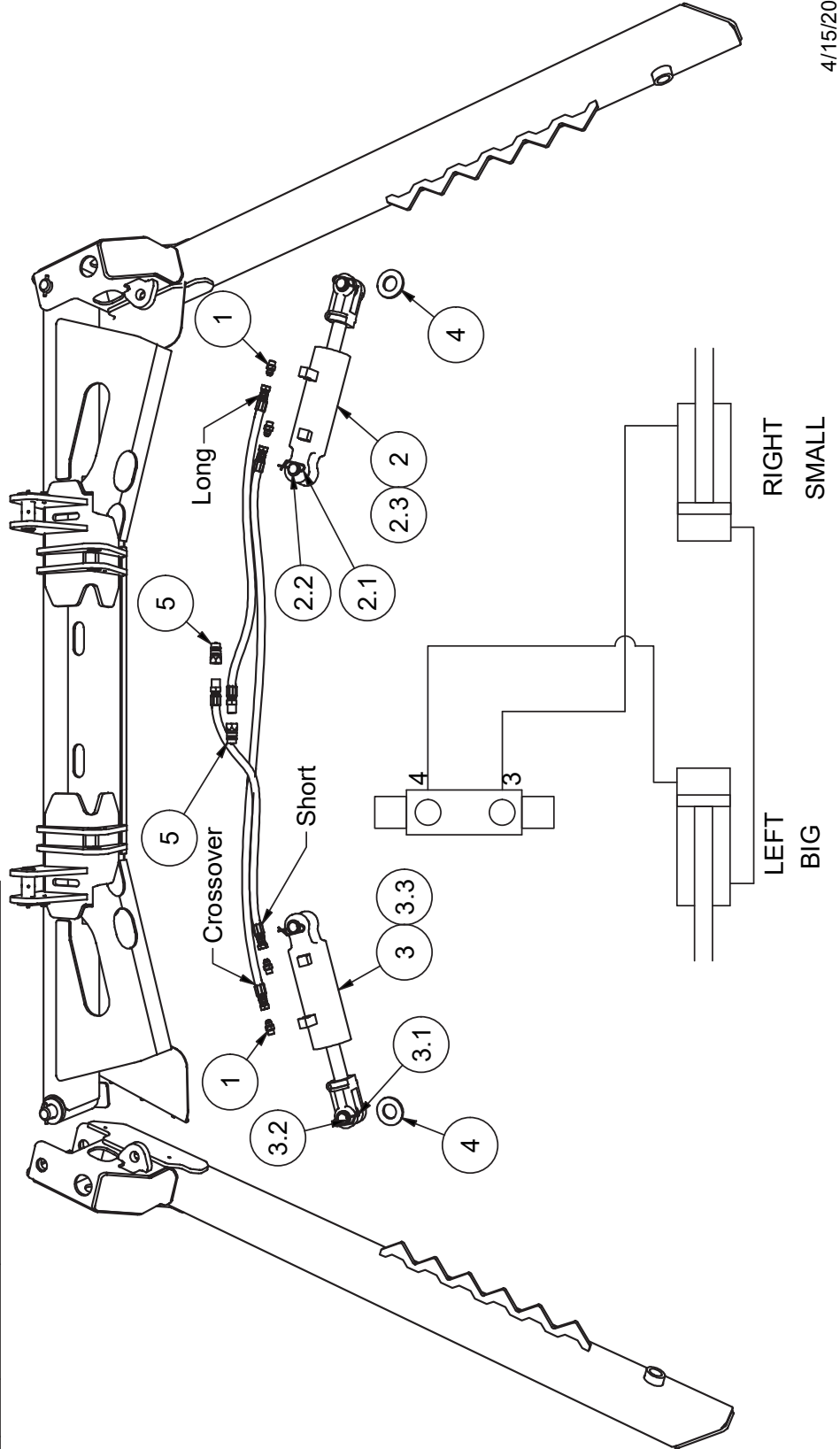
Pivot Squeeze XRM Crosstubes		
Bed Width	Bed #s	Part #
85.375	670, 671, 675, 676, 677 & 679	212055
93.0	682, 684, 687 & 688	212056
96.5	770, 778, 776, 782, 784, 787 & 788	212057

6/29/2021

Pivot Squeeze Hydraulics

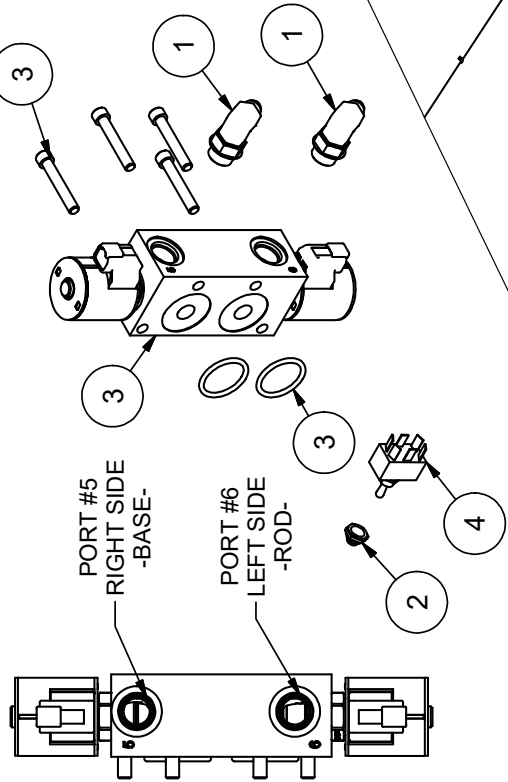
Parts List	
ITEM	DESCRIPTION
1	ADAPTER, 6MJ-6MB
2	Pivot Cylinder, 3.0 x 5.0
2.1	Locking Cotter Ring, 1"
2.2	Pin, Clevis
2.3	Seal Kit
3	Pivot Cylinder, 3.25 x 5.0
3.1	CLEVIS END 1.25
3.2	Pin, Clevis
3.3	Seal Kit
4	Shim Washer
5	COUPLER, PIONEER MALE

Pivot Squeeze Hoses			
Hoses	67-	68-	7--
Pivot Squeeze Crossover	220711 (56in)	220716 (62.5in)	220714 (66in)
Pivot Squeeze Short	220712 (27in)	220717 (30in)	220713 (32in)
Pivot Squeeze Long	220713 (32in)	220718 (35in)	220715 (37in)
Kit number	223048	223049	223050

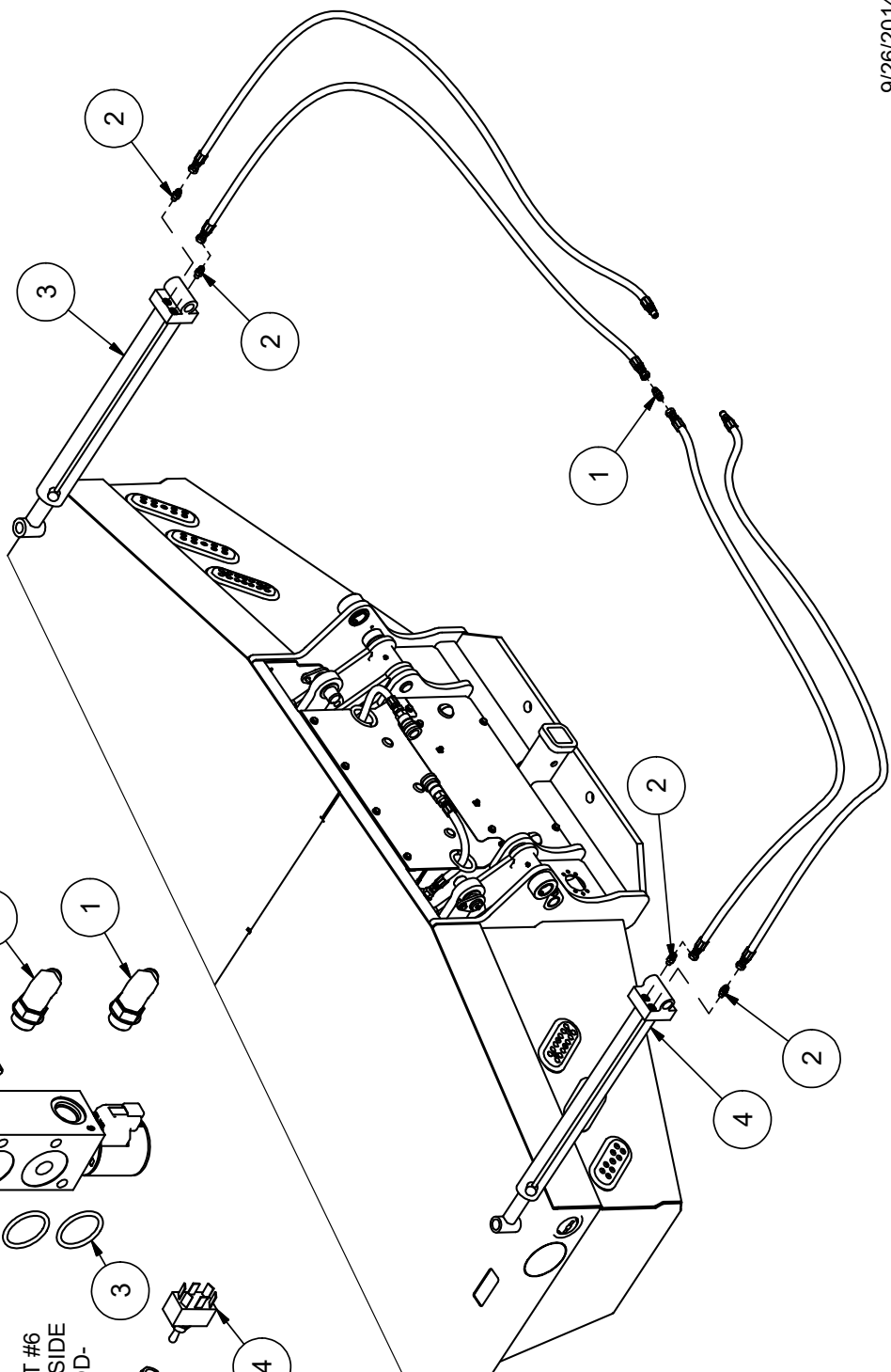


Pivot Squeeze XRM Hydraulics

Parts List		DESCRIPTION
ITEM	QTY	PART #
1	2	120134
2	1	132035
3	1	223045
4	1	232086

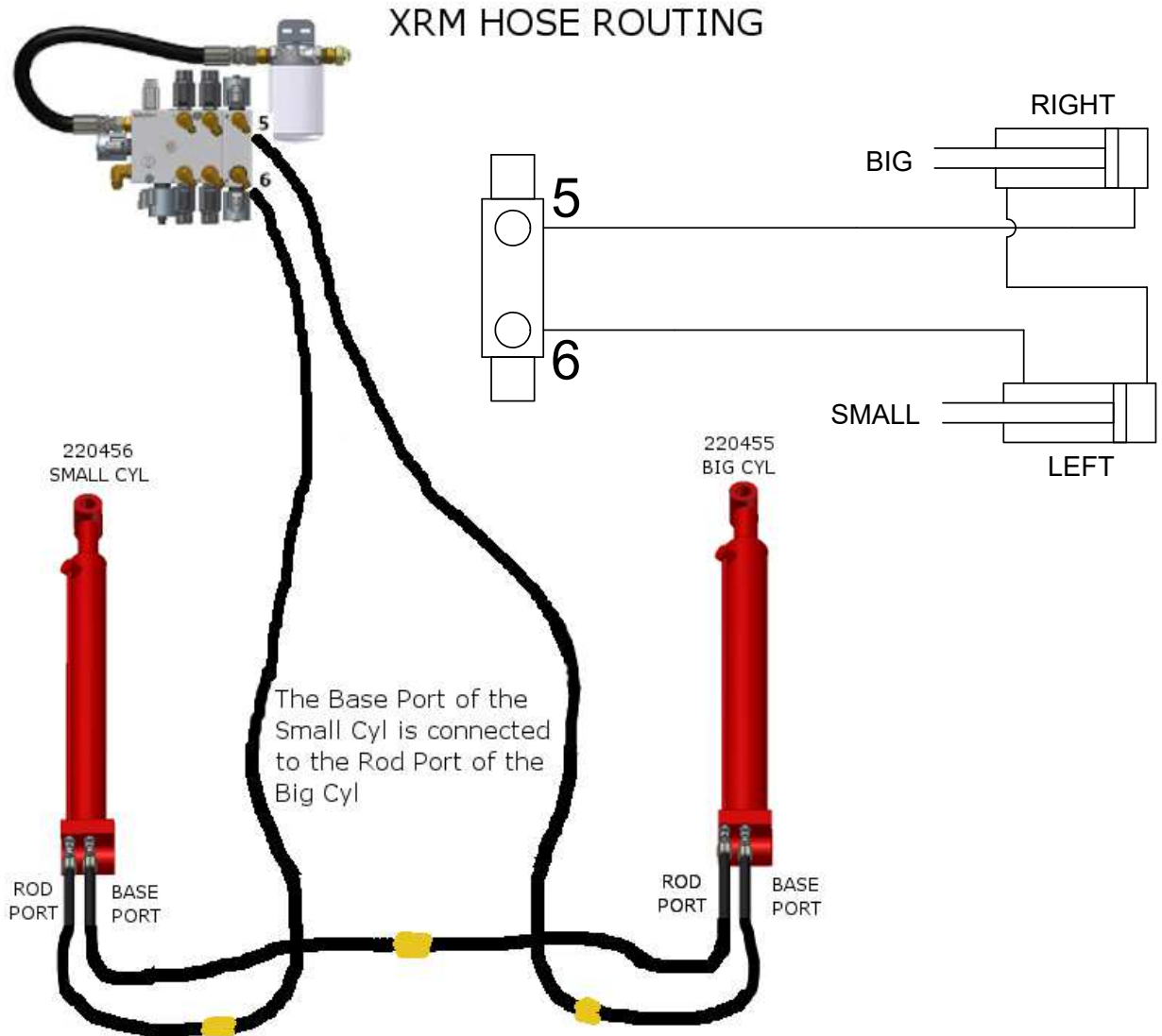


Parts List		
ITEM	QTY	DESCRIPTION
1	1	ADAPTER, 6MJ-6MJ
2	4	ADAPTER, 6MJ-4MB
3	1	EXTENSION CYLINDER 2.5
4	1	EXTENSION CYLINDER 2.0



9/26/2014

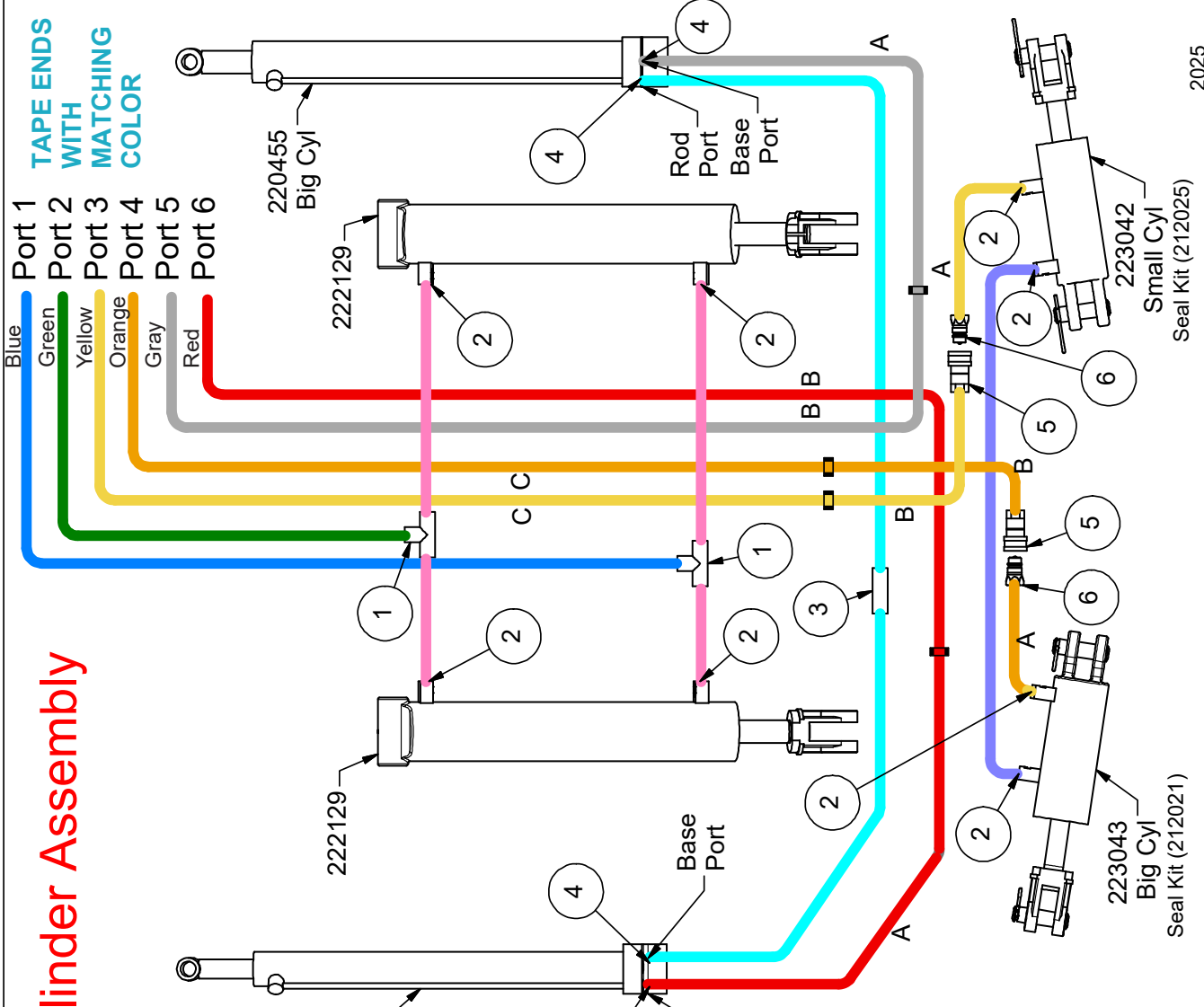
Pivot Squeeze XRM Hydraulics



Pivot Squeeze XRM Valve Hoses				
Hoses	--70	--75	--82	--87
Pivot XRM Front to Back (2ea)	220728 (111 in)	220729 (127 in)	220644 (137 in)	220731 (163in)
Kit	223063	223064	223065	223066
Pivot Squeeze XRM Hoses				
Hoses	67-	68-	7--	
XRM Crossover	220732 (64 in)	220733 (72 in)	220734 (75 in)	
XRM To Valve	220735 (69 in)	220736 (77 in)	220737 (80 in)	
Kit number	223060	223061	223062	

9/26/2014

Deweze Pivot XRM Cylinder Assembly



TAPE ENDS WITH MATCHING COLOR

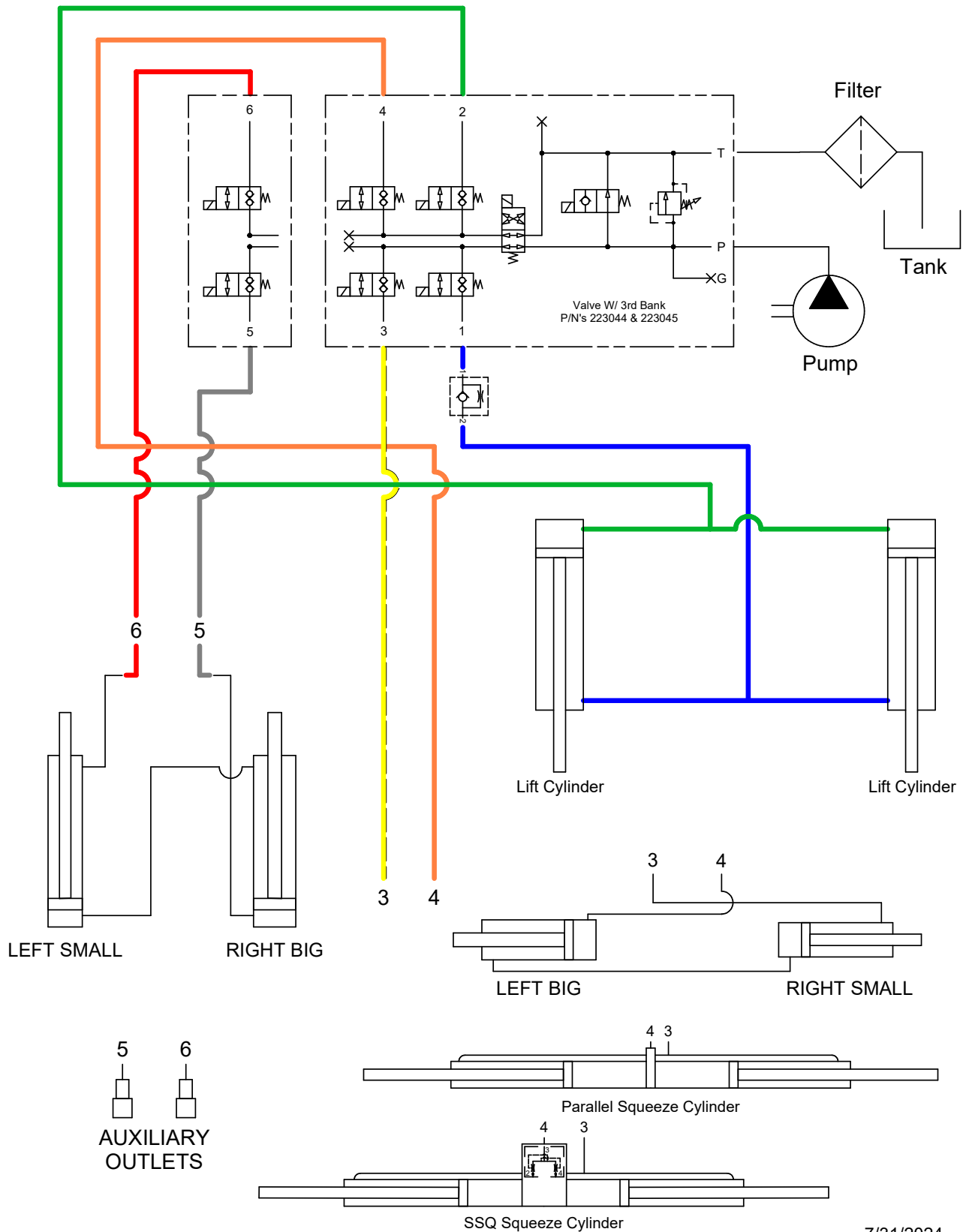
- Blue Port 1
- Green Port 2
- Yellow Port 3
- Orange Port 4
- Gray Port 5
- Red Port 6

Dual Lift Cylinders
Production Part# 222129
Seal Kit Part# 212012

Fittings Table	
Item	Description
1	Adapter, 8MJ-8MJ-8MJ
2	Adapter, 6MJ-6MB
3	Adapter, 6MJ-6MJ
4	Adapter, 6MJ-4MB
5	Coupler, Pioneer Female
6	Coupler, Pioneer Male

2025

Flatbed Non-Proportional Hydraulic Schematic



7/31/2024

Dewze Pivot Hose Reference Form

Bed Model:	_70	_75 & _78	_77 & _82, _79 & _84	_87 & _88	67_	68_	7_
Hose Kits:							
Common Hose Kit	223051						
Squeeze & Lift	223034	223035	223036	223037			
XRM Kit (Short)	223060						
XRM Kit (Long)	223063	223064	223065	223066	223061	223062	
Hoses							
Lift Hoses Short	220681 (Kit 223033)						
Lift Hose #1	220687 (Kit 223034)	220689 (Kit 223035)	220689 (Kit 223036)	220690 (Kit 223037)			
Lift Hose #2							
Pivot Squeeze Crossover Hose							
Pivot Squeeze Short							
Pivot Squeeze Short							
Pivot Squeeze Long							
Pivot Squeeze Long							
Pivot Squeeze Short							
Squeeze Hose Long	220683 (Kit 223034)	220685 (Kit 223035)	220685 (Kit 223036)	220686 (Kit 223037)			
Pivot Squeeze Long							
Squeeze Hose Short							
Squeeze Hose Long							
XRM Only							
XRM Crossover							
XRM to Valve							
XRM Front to Back	220728 (Kit 223063)	220729 (Kit 223064)	220644 (Kit 223065)	220731 (Kit 223066)			
XRM to Valve							
XRM Front to Back	220728 (Kit 223063)	220729 (Kit 223064)	220644 (Kit 223065)	220731 (Kit 223066)	220735 (Kit 223060)	220736 (Kit 223061)	220737 (Kit 223062)
XRM Front to Back	220728 (Kit 223063)	220729 (Kit 223064)	220644 (Kit 223065)	220731 (Kit 223066)	220735 (Kit 223060)	220736 (Kit 223061)	220737 (Kit 223062)
XRM Front to Back	220728 (Kit 223063)	220729 (Kit 223064)	220644 (Kit 223065)	220731 (Kit 223066)	220735 (Kit 223060)	220736 (Kit 223061)	220737 (Kit 223062)

Pivot Squeeze Independent Arm Control Hoses

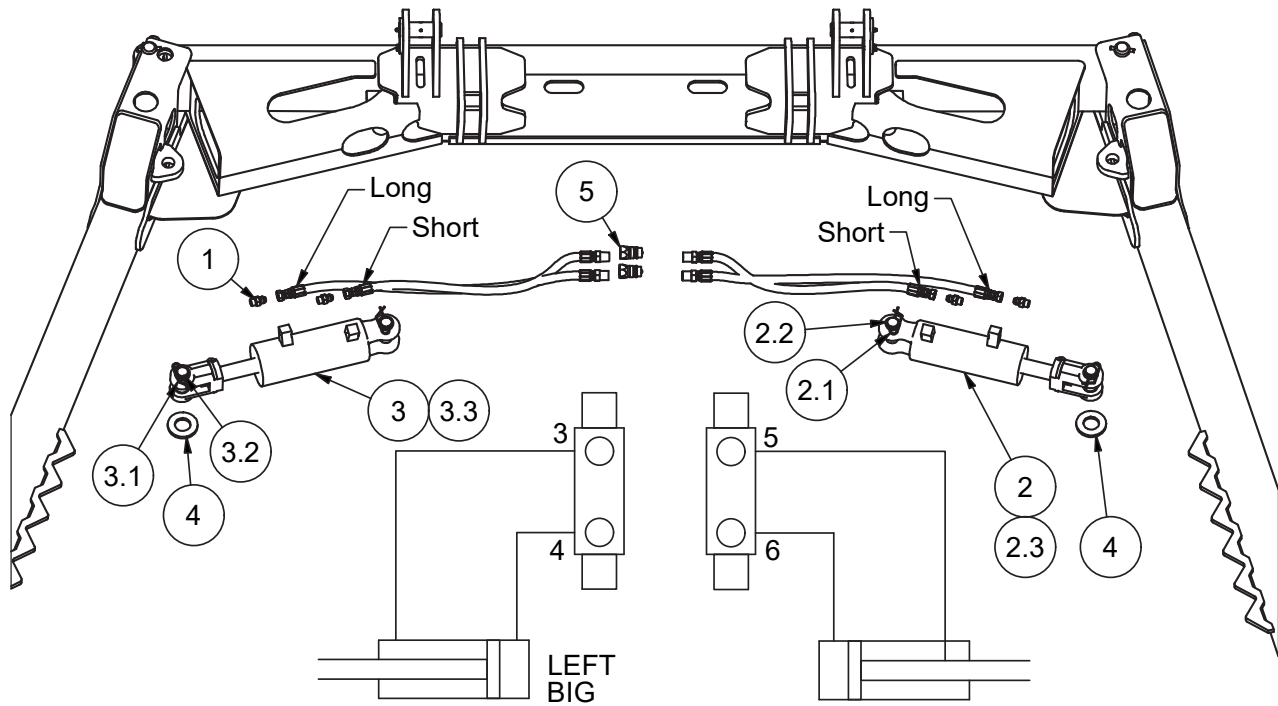
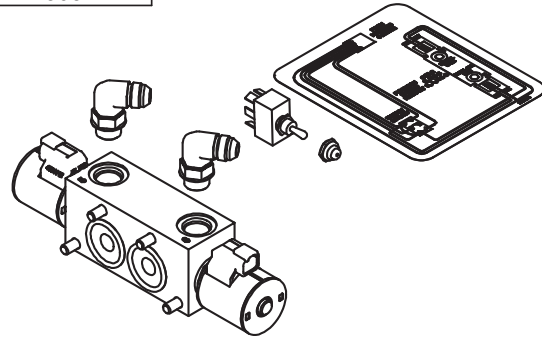
Hoses	--70	--75	--82	--87
Independent Squeeze Front to Back (2ea)	220724 (110in)	220725 (127in)	220726 (137in)	220727 (163in)
Kit	223055	223056	223057	223058

Pivot Squeeze Hoses

Hoses	67-	68-	7--
Pivot Squeeze Short	220712 (27in)	220717 (30in)	220713 (32in)
Pivot Squeeze Long	220713 (32in)	220718 (35in)	220715 (37in)
Kit number	223052	223053	223054

3rd Bank, Independent Arm (235022)

ITEM	QTY	PART #	DESCRIPTION
1	1	223045	Valve, 3rd Bank add on (223044)
2	2	120288	ADAPTER, 8MJ-8MB90
3	1	232099	Harness, Flatbed 3rd Bank, Deutsch
4	1	132035	SWITCH BOOT
5	1	232086	SWITCH, DPDT, M, 6 PIN, PUSH ON
6	1	202054	Decal, 3rd Bank, Double Poppet Deutsch



Parts List

ITEM	QTY	PART #	DESCRIPTION
1	4	120319	ADAPTER, 6MJ-6MB
2	1	223042	Pivot Cylinder, 3.0 x 5.0
2.1	2	102122	Locking Cotter Ring, 1"
2.2	2	202059	Pin, Clevis
2.3		212021	Seal Kit
3	1	223043	Pivot Cylinder, 3.25 x 5.0
3.1	2	102122	Locking Cotter Ring, 1"
3.2	2	202059	Pin, Clevis
3.3		212025	Seal Kit
4	2	260302	Shim Washer
5	2	420005	COUPLER, PIONEER MALE

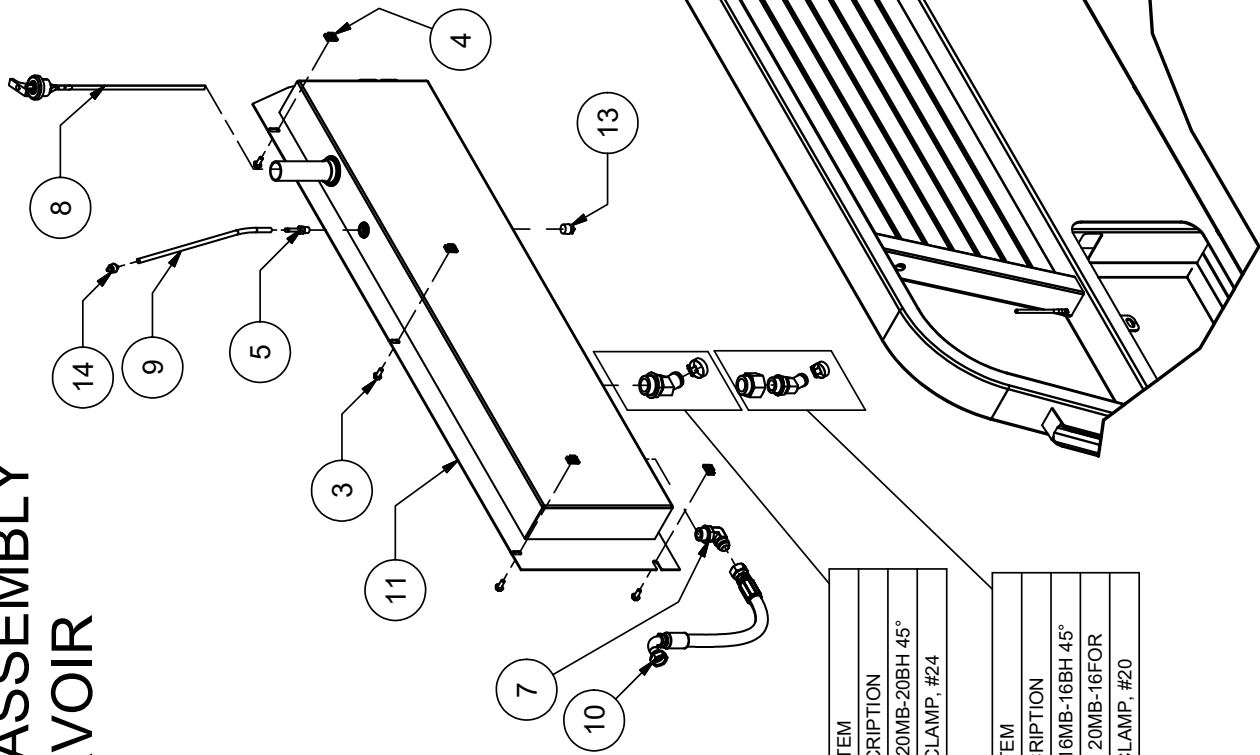
Pivot Squeeze Independent Arm Control Hydraulics

4/15/2021

HYDRAULIC ASSEMBLY RESERVOIR

Parts List

ITEM	PART #	QTY	DESCRIPTION
1	110290	2	NUT, 1/4-20 WIZ FLANGE
2	110434	4	BOLT, 1/4-20 X 0.5, WIZ FLANGE
3	110444	4	BOLT, 5/16-18 X 0.75, WIZ FLANGE
4	110616	4	NUT, 5/16", J-TYPE, CAGE, .5C
5	120237	1	ADAPTER, 4BH-4MP
6	120244	1	ADAPTER, 12MJ-12MP
7	120257	1	ADAPTER, 12MJ-12MB90
8	220566	1	DIP STICK
9	220587	1	VENT HOSE
10	220700	1	FILTER TO RESERVOIR HOSE
11	225012	1	Reservoir, Flatbed, Remote Filter
12	260265	1	MOUNTING BRACKET, FILTER
13	500175	1	FITTING, PLUG 1/2" PIPE
14	540031	1	FUEL FILTER



12 & 17 GALLON SYSTEM	
PART #	DESCRIPTION
120189	ADAPTER, 20MB-20BH 45°
511002	HOSE CLAMP, #24

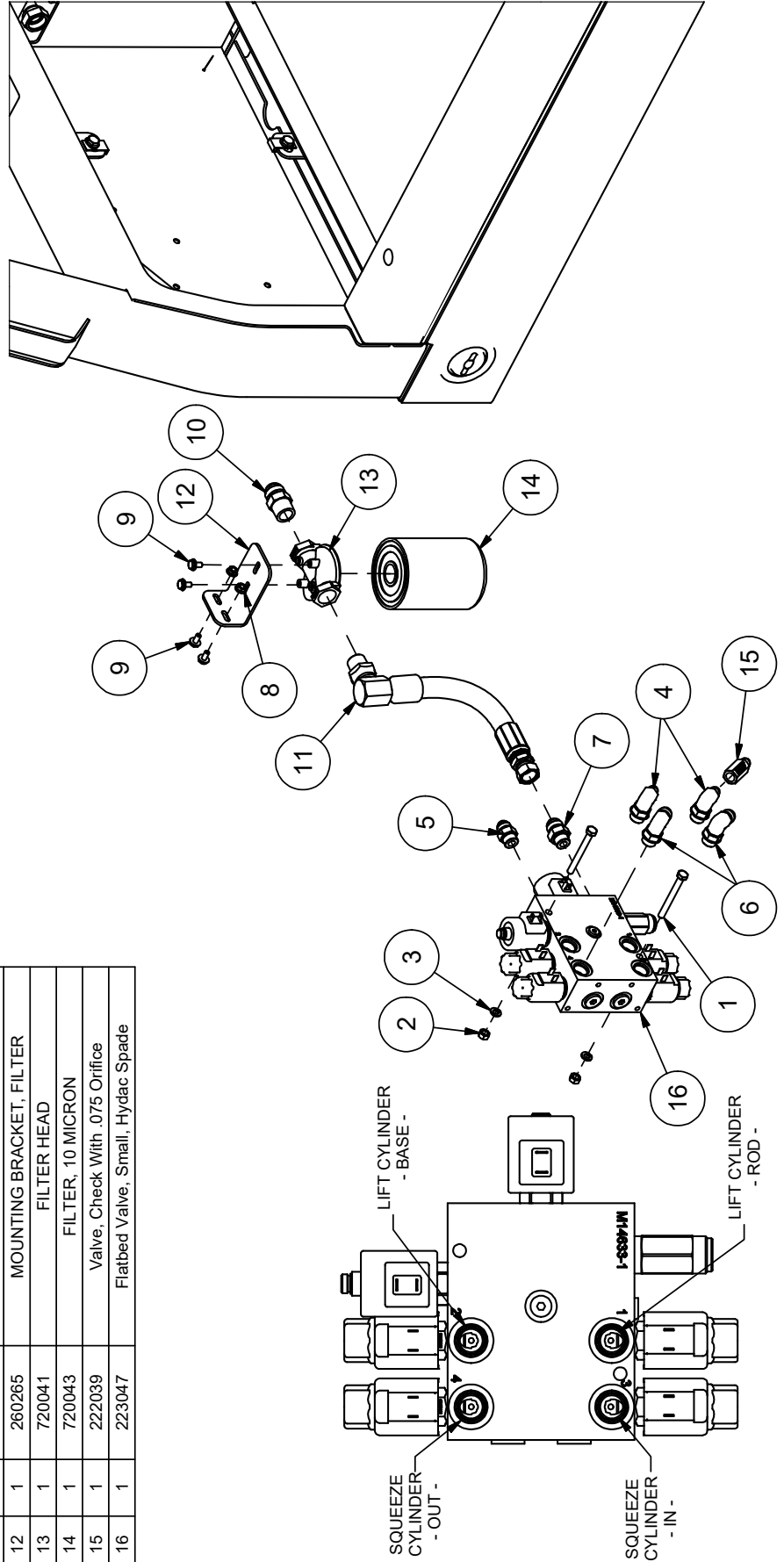
5, 7 & 9 GALLON SYSTEM	
PART #	DESCRIPTION
120188	ADAPTER, 16MB-16BH 45°
120511	ADAPTER, 20MB-16FOR
720107	HOSE CLAMP, #20

6/15/2012

Pivot Squeeze Valve & Filter

Parts List

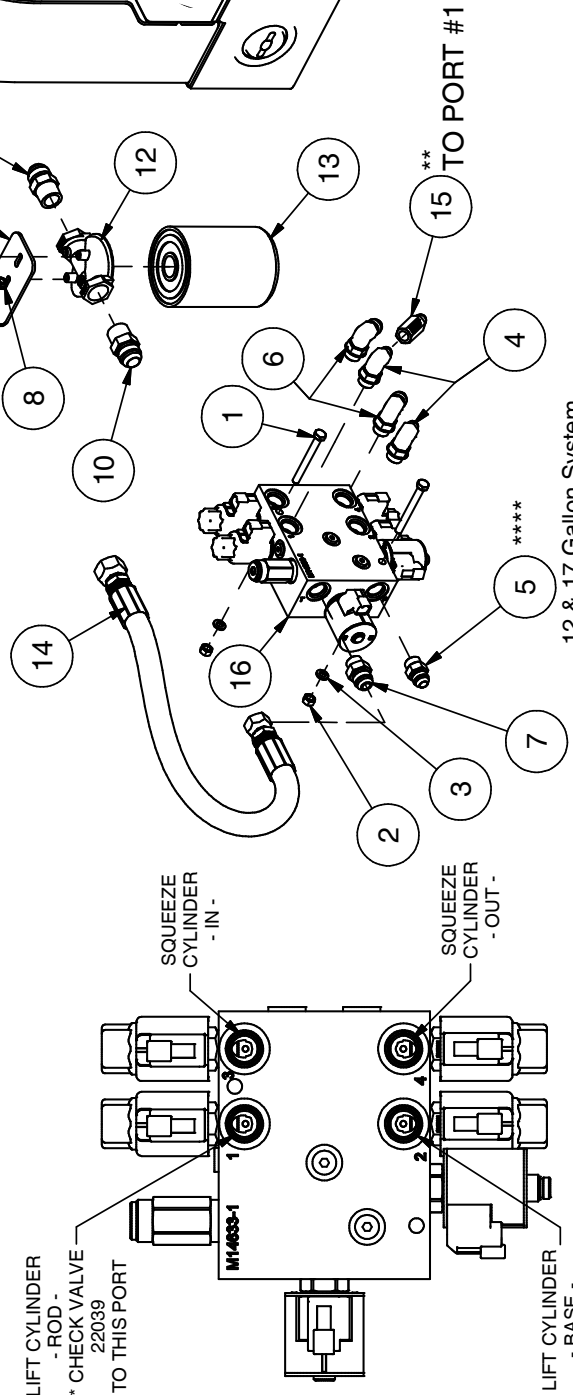
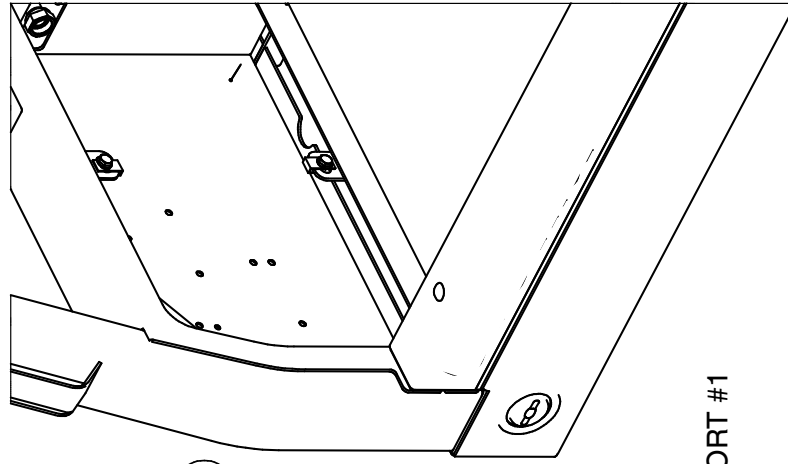
ITEM	QTY	PART #	DESCRIPTION
1	2	110538	BOLT, 5/16-18 X 3.0
2	2	110608	NUT, 5/16-18
3	2	110674	WASHER, 5/16" LOCK
4	2	120134	ADAPTER, 6MJ-8MB90
5	1	120277	ADAPTER, 8MJ-8MB
6	2	120288	ADAPTER, 8MJ-8MB90
7	1	120493	ADAPTER, 10MJ-8MB
8	2	110290	NUT, 1/4-20 WIZ FLANGE
9	4	110434	BOLT, 1/4-20 X 0.5. WIZ FLANGE
10	1	120244	ADAPTER, 12MJ-12MP
11	1	220691	RESERVOIR RETURN
12	1	260265	MOUNTING BRACKET, FILTER
13	1	720041	FILTER HEAD
14	1	720043	FILTER, 10 MICRON
15	1	222039	Valve, Check With .075 Orifice
16	1	223047	Flatbed Valve, Small, Hydac Spade



Valve & Filter

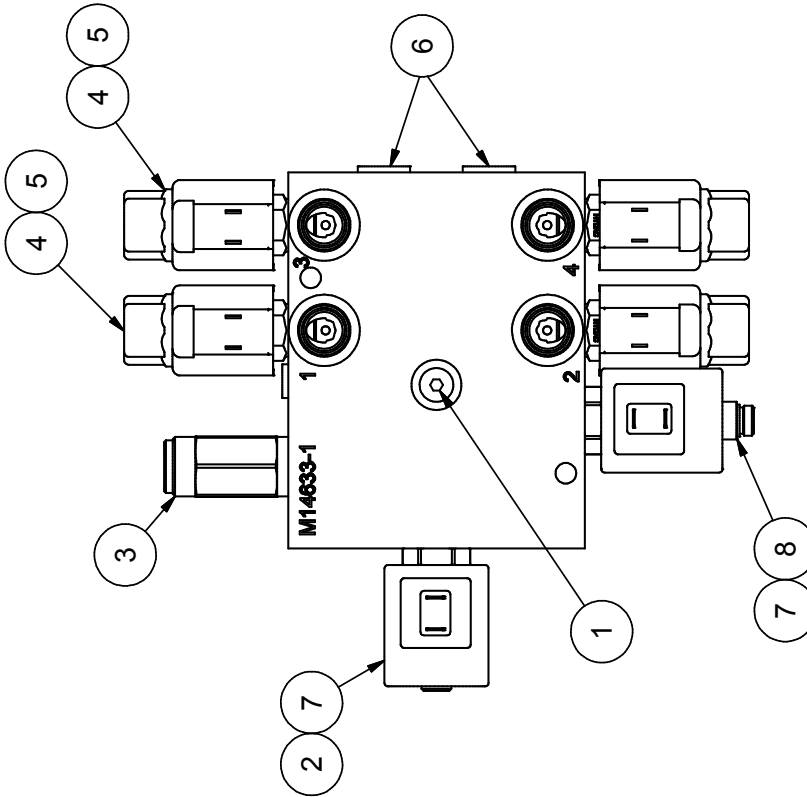
Gen 3 Double Poppet

Parts List		
ITEM	QTY	PART # DESCRIPTION
1	2	110538 BOLT, 5/16-18 X 3.0
2	2	110608 NUT, 5/16-18
3	2	110674 WASHER, 5/16" LOCK
4	2	120134 ADAPTER, 6MJ-8MB90
5	1	120277 ADAPTER, 8MJ-8MB
6	2	120288 ADAPTER, 8MJ-8MB90
7	1	120493 ADAPTER, 10MJ-8MB
8	2	110290 NUT, 1/4-20 WIZ FLANGE
9	4	110434 BOLT, 1/4-20 X 0.5, WIZ FLANGE
10	2	120244 ADAPTER, 12MJ-12MP
11	1	260265 MOUNTING BRACKET, FILTER
12	1	720041 FILTER HEAD
13	1	720043 FILTER, 10 MICRON
14	1	220723 HOSE, VALVE TO FILTER
15	1	222039 Valve, Check With .075 Orifice
16	1	223044 Flatbed Valve, Small, Monoblock Ver II

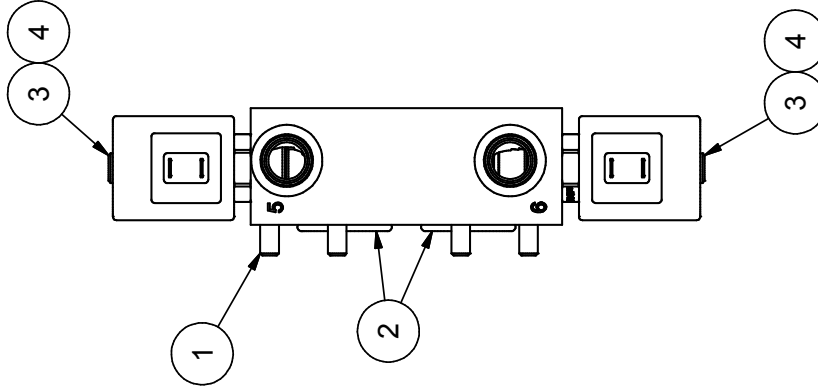


12 & 17 Gallon System
 120250 -- Adapter 12MJ-8MB
 Also As Required
 120368 -- Adapter 8mj-8fx90
 120267 -- Adapter 12mj-12fx90

**GEN 2 VALVE
-08 HYDAC DUAL SPADE
SERVICE PARTS**

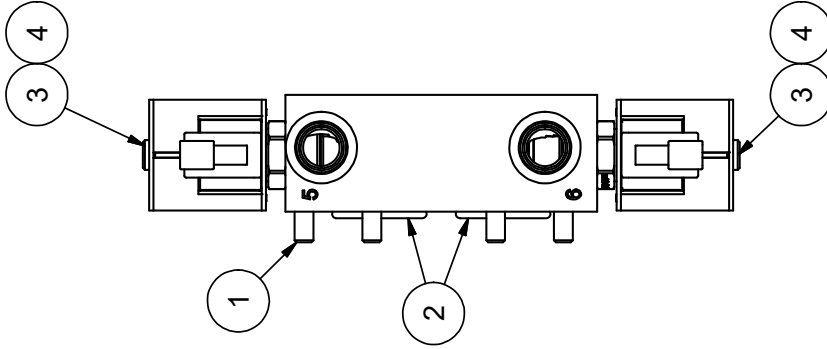


ITEM	QTY	PART #	DESCRIPTION
1	1	120062	O-Ring Plug, #4 7/16-20
2	1	222002	Valve, Directional, 4-Way
3	1	222004	Valve, Pressure Relief
4	4	222010	Cartridge, #8 HYDAC Double Poppet
5	4	222011	Coil, #8 Hydac, Dual Spade
6	2	720164	O-Ring Plug, #8 3/4-16
7	2	820229	COIL, #10 DUAL SPADE
8	1	820232	Spool, #10 Valve

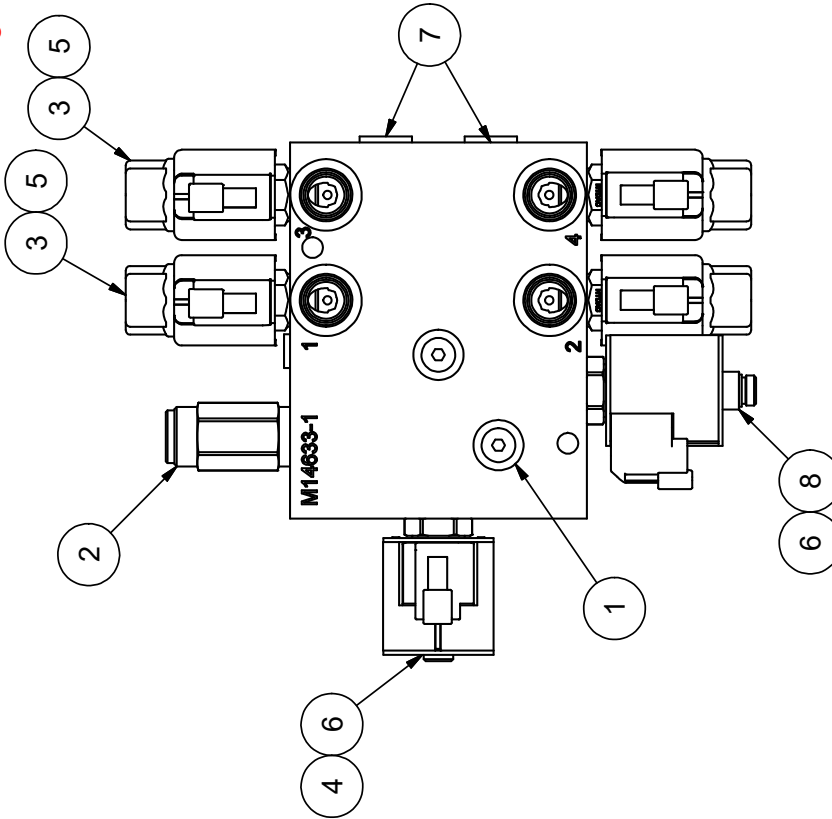


ITEM	QTY	PART #	DESCRIPTION
1	4	110168	BOLT, 5/16-18 X 2.0 SHCS
2	2	120376	O-RING, -.219, 90 DURO
3	2	222003	Valve, Poppet N.C. SOL VALVE
4	2	820229	COIL, #10 DUAL SPADE

**GEN 3 VALVE
-08 HYDAC DEUTSCH
SERVICE PARTS**
Starting S/N's 2014



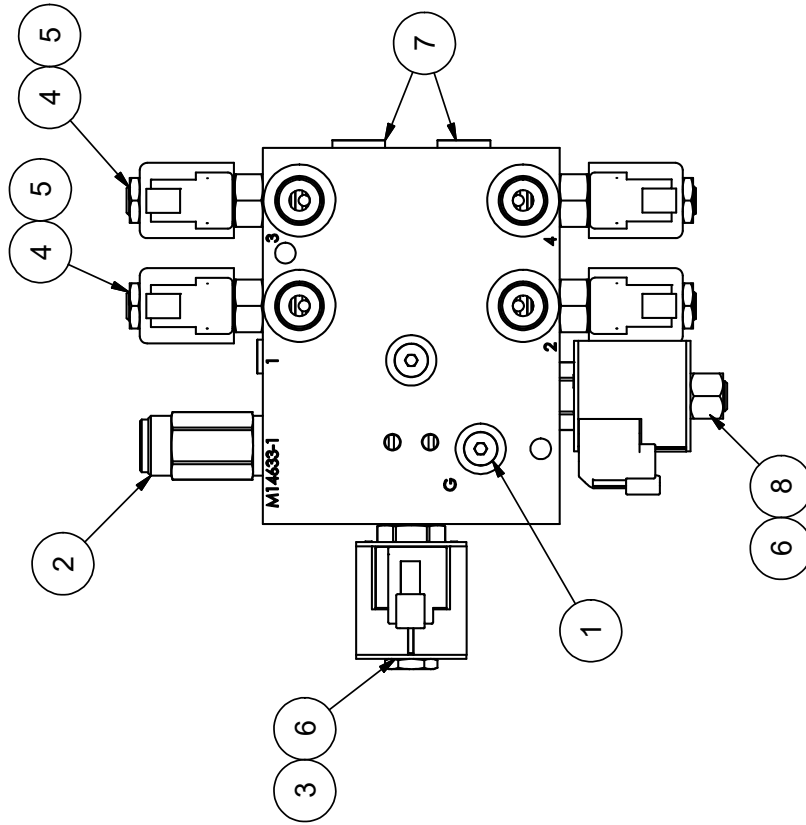
ITEM	QTY	PART #	DESCRIPTION
1	4	110168	BOLT, 5/16-18 X 2.0 SHCS
2	2	120376	O'RING, -219, 90 DURO
3	2	222003	Valve, Poppet N.C. SOL VALVE
4	2	522163	#10 E-COIL, 12 VDC, DEUTSCH DT04-2P



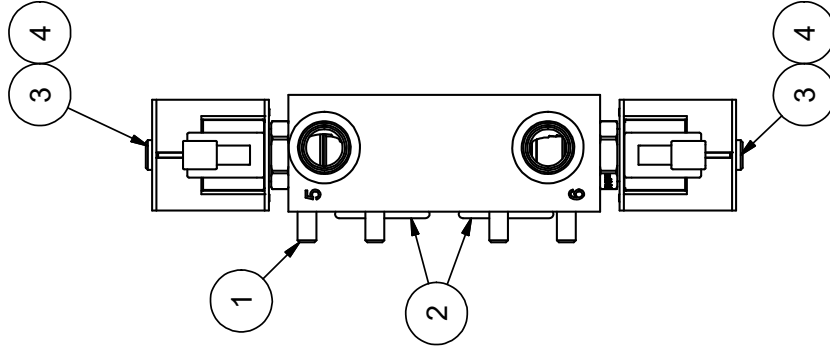
ITEM	QTY	PART #	DESCRIPTION
1	2	120062	O-Ring Plug, #4 7/16-20
2	1	222004	Valve, Pressure Relief
3	4	222010	Cartridge, #8 HYDAC Double Poppet
4	1	222045	#10 SOLENOID, 2 POSITION 4 WAY
5	4	222050	Coil, #8 Hydac, Deutsch DT04-2P
6	2	522163	#10 E-COIL, 12 VDC, DEUTSCH DT04-2P
7	2	720164	O-Ring Plug, #8 3/4-16
8	1	820232	Spool, #10 Valve

12/5/2014

**GEN 3 VALVE
-08 EATON DEUTSCH
SERVICE PARTS**
Starting S/N's Late 2015



ITEM	QTY	PART #	DESCRIPTION
1	3	120062	O-Ring Plug, #4 7/16-20
2	1	222004	Valve, Pressure Relief
3	1	222045	#10 SOLENOID, 2 POSITION 4 WAY
4	4	222056	Valve, #8 Eaton, Dbl Poppet
5	4	222057	Coil, #8 Eaton, 12V, Deutsch DT04-2P
6	2	522163	#10 E-COIL, 12 VDC, DEUTSCH DT04-2P
7	2	720164	O-Ring Plug, #8 3/4-16
8	1	820232	Spool, #10 Valve

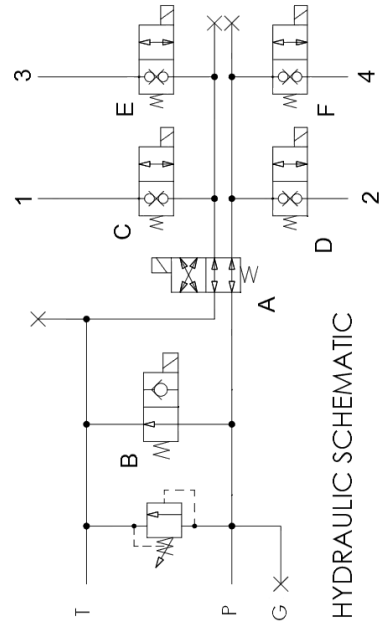
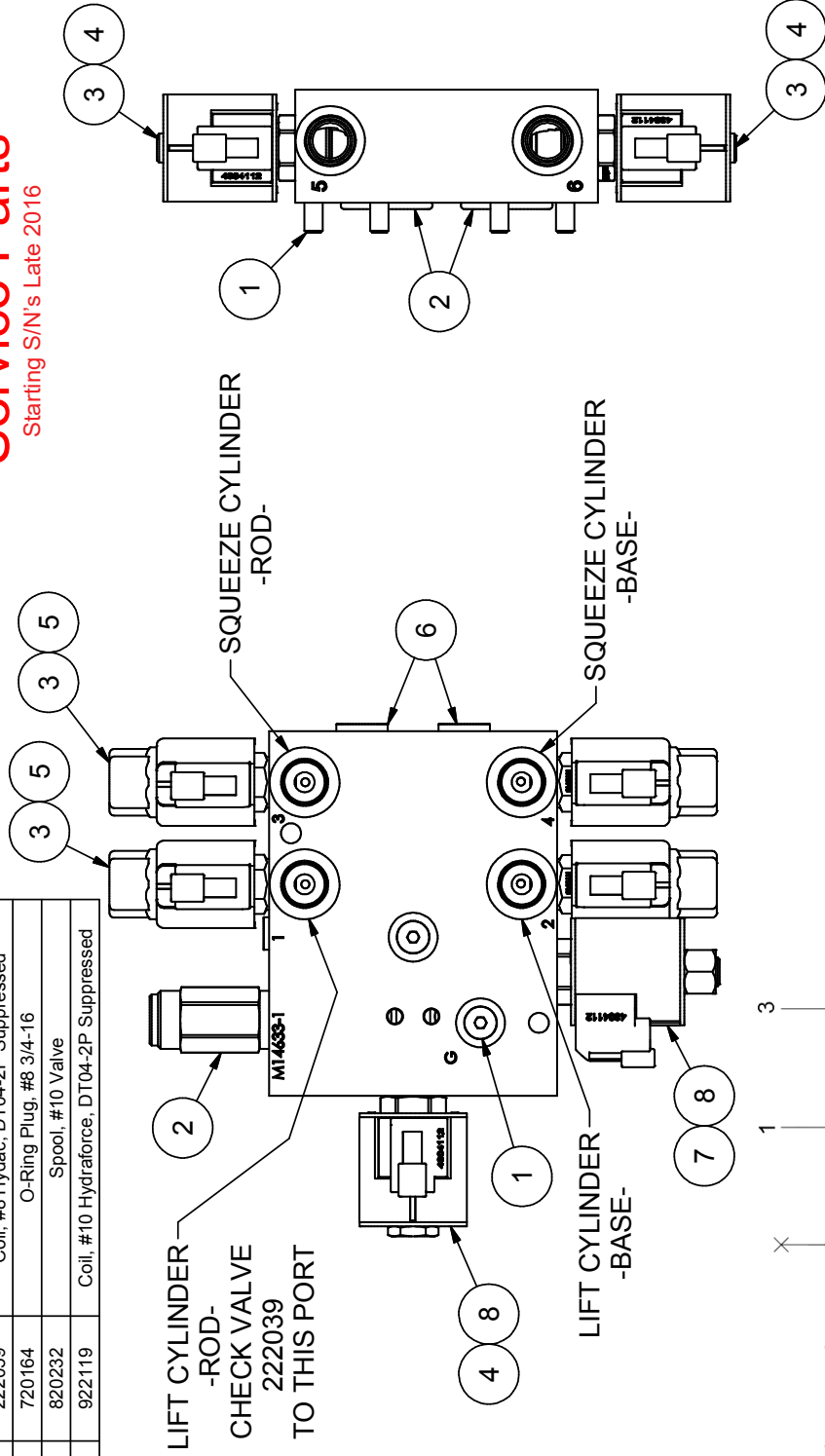


ITEM	QTY	PART #	DESCRIPTION
1	4	110168	BOLT, 5/16-18 X 2.0 SHCS
2	2	120376	O-RING, -219, 90 DURO
3	2	222003	Valve, Poppet N.C. SOL VALVE
4	2	522163	#10 E-COIL, 12 VDC, DEUTSCH DT04-2P

Flatbed Valve, Small, Hydac Deutsch P/N 223044			
ITEM	QTY	PART #	DESCRIPTION
1	3	120062	O-Ring Plug, #4 7/16-20
2	1	222004	Valve, Pressure Relief
3	4	222010	Cartridge, #8 HYDAC Double Poppet
4	1	222045	#10 SOLENOID, 2 POSITION 4 WAY
5	4	222059	Coil, #8 Hydac, DT04-2P Suppressed
6	2	720164	O-Ring Plug, #8 3/4-16
7	1	820232	Spool, #10 Valve
8	2	922119	Coil, #10 Hydratorce, DT04-2P Suppressed

Flatbed Valve -08 Hydac Deutsch Service Parts

Starting S/N's Late 2016

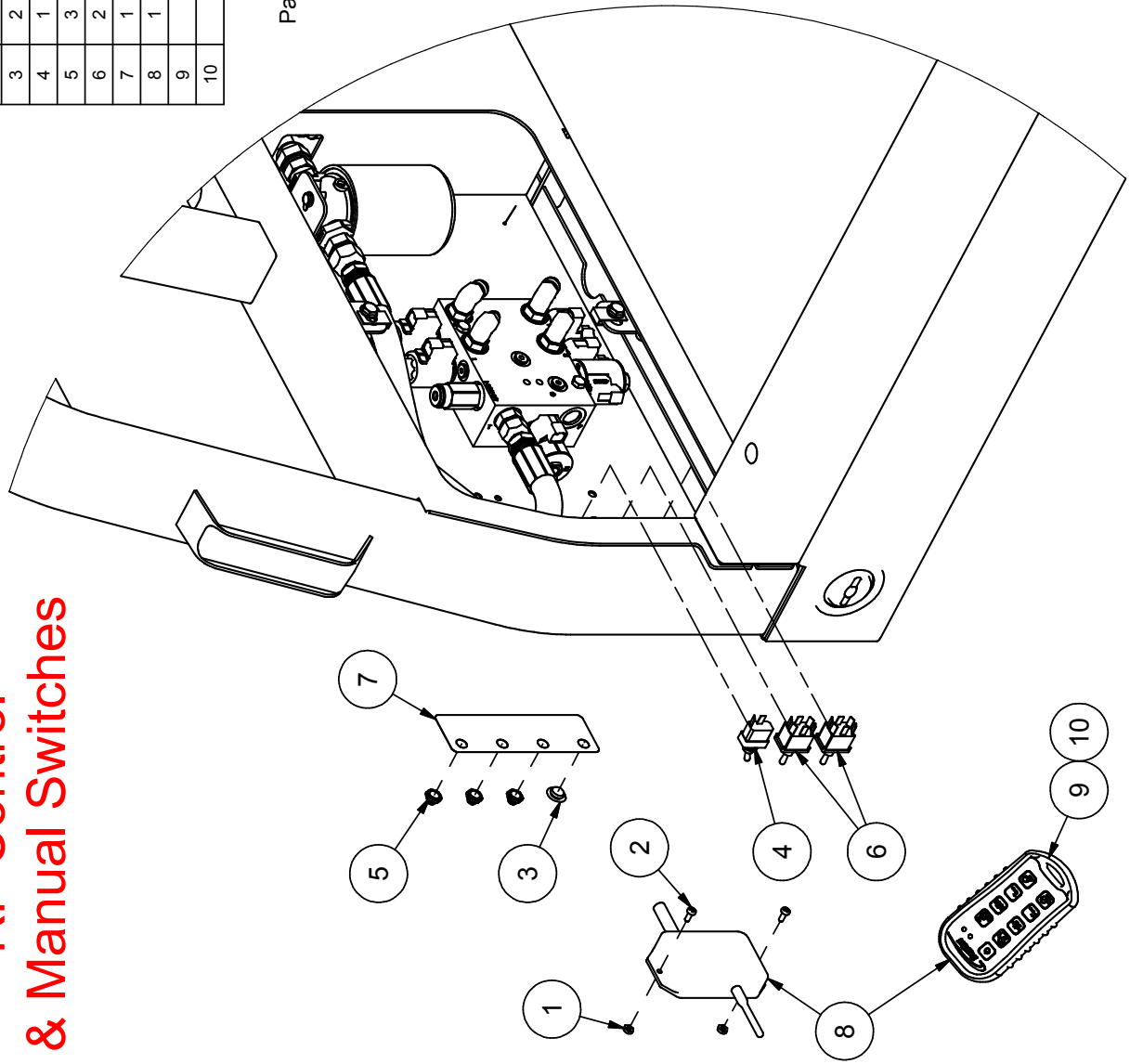


Valve, 3rd Bank add on P/N 223045			
ITEM	QTY	PART #	DESCRIPTION
1	4	110168	BOLT, 5/16-18 X 2.0 SHCS
2	2	120376	O'RING, -219, 90 DURO
3	2	222003	Valve, Poppet N.C. SOL VALVE
4	2	922119	Coil, #10 Hydratorce, DT04-2P Suppressed

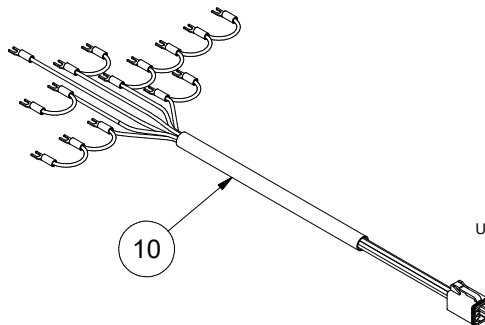
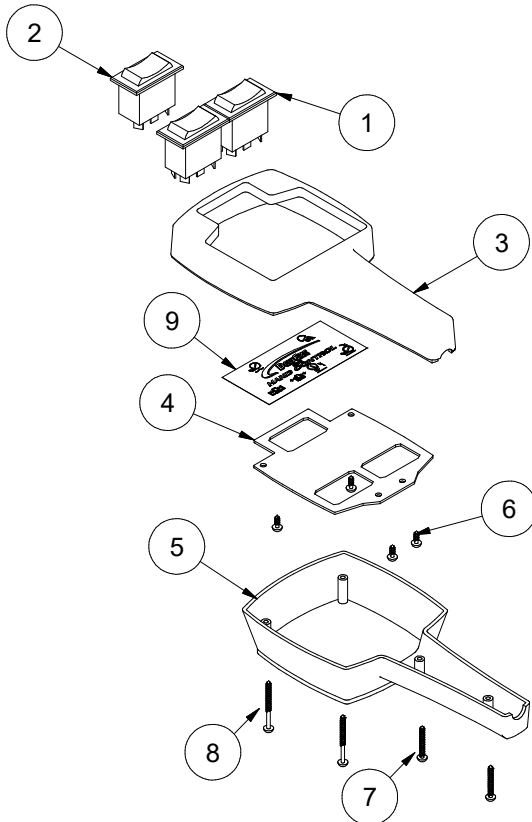
11/9/2016

RF Control & Manual Switches

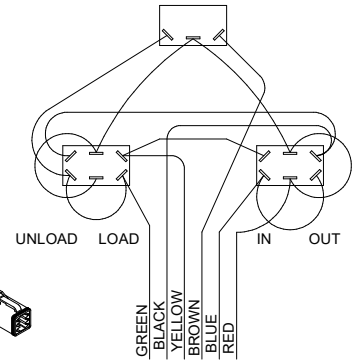
Parts List		
ITEM	QTY	DESCRIPTION
1	3	NUT, 10-24 LOCK
2	3	BOLT, 10-24 X .5 STAINLESS, PHILLIPS
3	2	PLUG, 1/2" BUTTON PLASTIC
4	1	Switch, Spst, Toggle .250 Tab
5	3	SWITCH BOOT
6	2	Switch, Toggle, DPDT, (On)-OFF-(ON)
7	1	DECAL, SWITCH IDENTIFICATION
8	1	Transmitter & Receiver, Kar-Tech
9		Transmitter, Kar-Tech
10		Two AA Batteries



HAND CONTROL & CABLE: 2 BANK

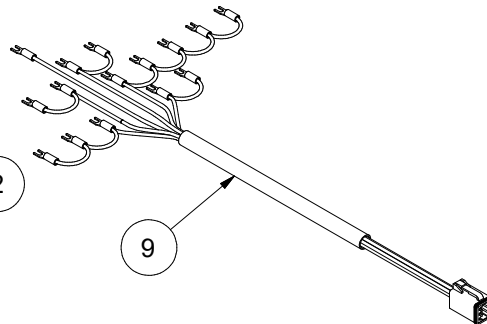
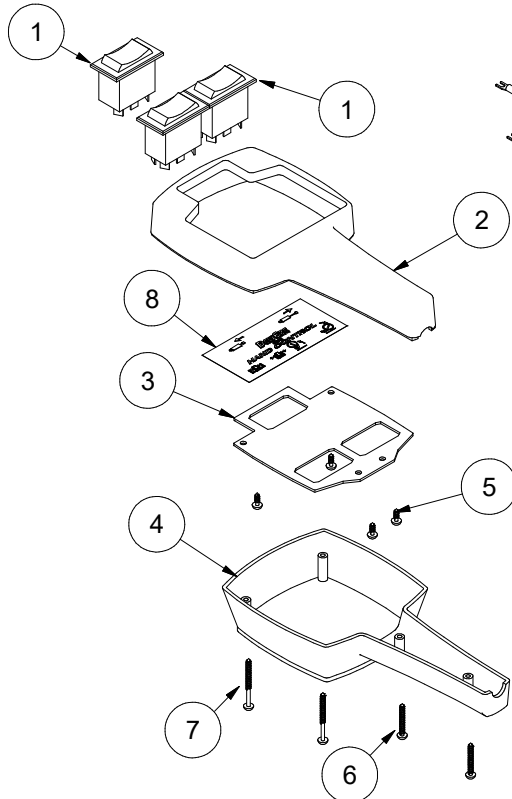


Wiring Diagram
Switches Shown From Back Side

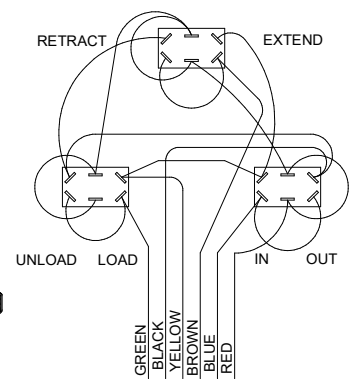


Parts List				Kit: 150044
ITEM	QTY	PART #	DESCRIPTION	
1	2	130029	Switch, Rocker, DPDT	
2	1	130065	Switch, Rocker, On-Off-(On)	
3	1	150001	Top Housing, Hand Control	
4	1	150002	Switch Plate, Hand Control	
5	1	150003	Bottom Housing, Hand Control	
6	4	150013	Screw, #6 X 1/4 Type F	
7	2	150014	Screw, #6 X 1 Sheetmetal	
8	2	150015	Screw, #6 X 1.5 Sheetmetal	
9	1	202082	Decal, Hand Control, 2 Bank, Gen III	
10	1	230162	Cable, Hand Control, 2 Bank	

HAND CONTROL & CABLE: 3 BANK

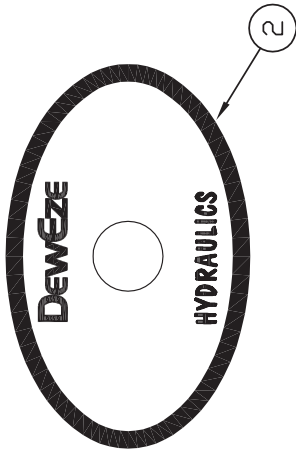


Wiring Diagram
Switches Shown From Back Side

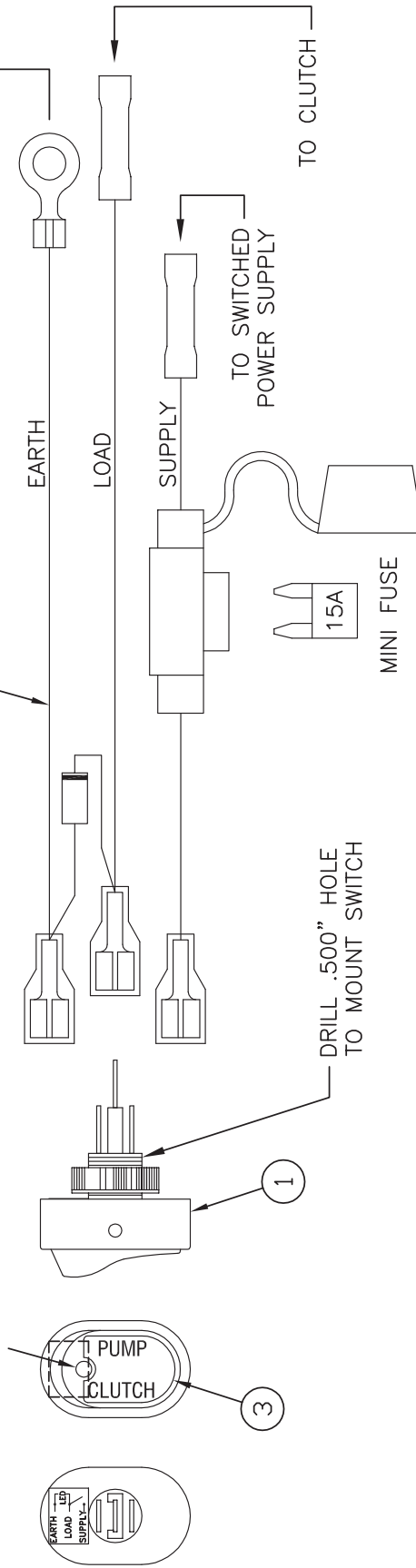


Parts List				Kit: 150045
ITEM	QTY	PART #	DESCRIPTION	
1	2	130029	Switch, Rocker, DPDT	
2	1	150001	Top Housing, Hand Control	
3	1	150002	Switch Plate, Hand Control	
4	1	150003	Bottom Housing, Hand Control	
5	4	150013	Screw, #6 X 1/4 Type F	
6	2	150014	Screw, #6 X 1 Sheetmetal	
7	2	150015	Screw, #6 X 1.5 Sheetmetal	
8	1	202083	Decal, Hand Control, 3 Bank, Gen III	
9	1	230163	Cable, Hand Control, 3 Bank	

ITEM	QUAN	PART #	NAME
1	1	132044	SWITCH, SPST ROCKER LED
2	1	702002	DECAL, DEWEZE HYDRAULICS
3	1	702061	DECAL, PUMP CLUTCH
4	1	732002	HARNESS, CLUTCH CONTROL



DECAL ORIENTED TO LED
ON SWITCH AS SHOWN



SWITCH, CLUTCH CONTROL ASSY 735001

Lights & Harness

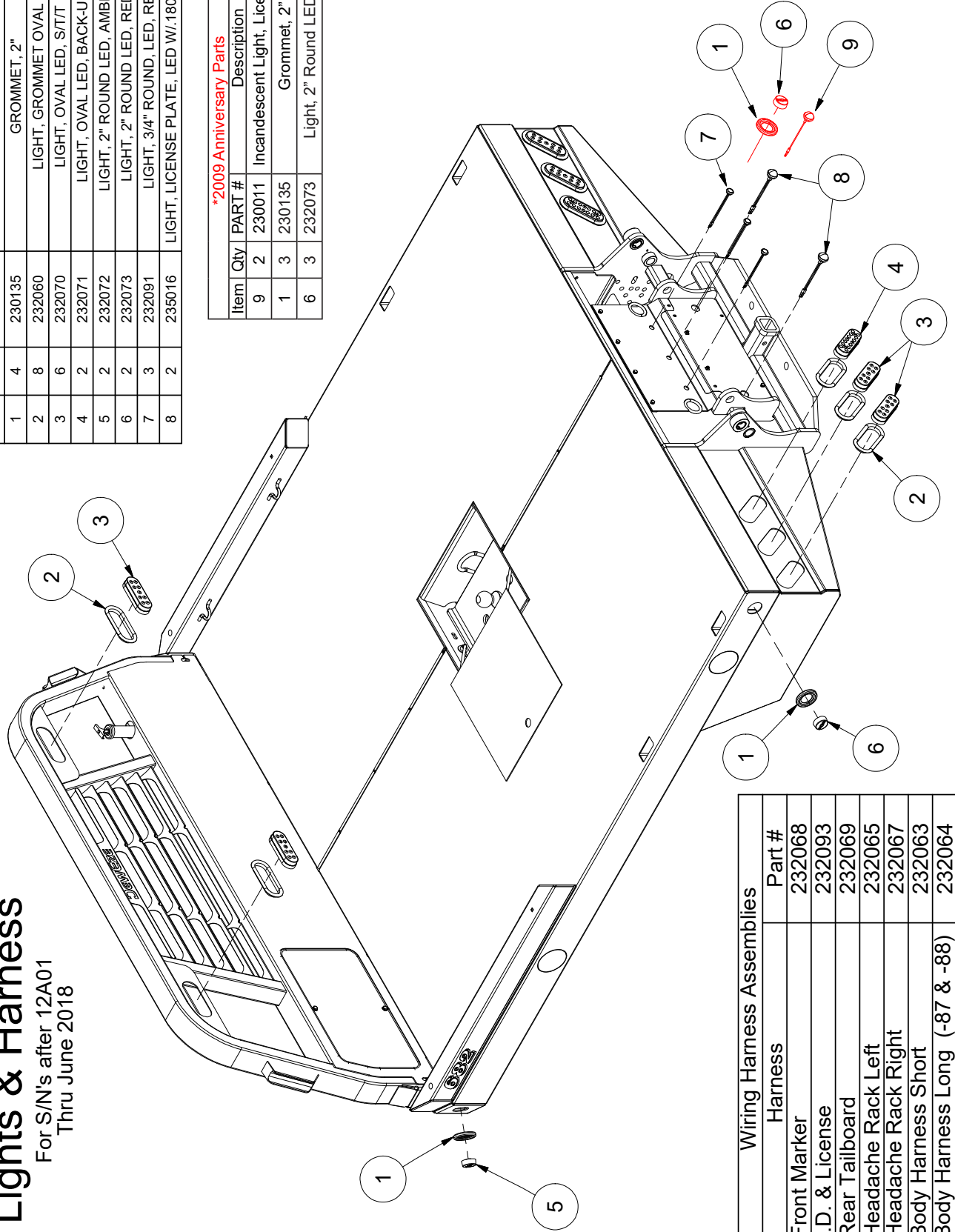
For S/N's after 12A01
Thru June 2018

Parts List

ITEM	QTY	PART #	DESCRIPTION
1	4	230135	GROMMET, 2"
2	8	232060	LIGHT, GROMMET OVAL
3	6	232070	LIGHT, OVAL LED, S/TT
4	2	232071	LIGHT, OVAL LED, BACK-UP
5	2	232072	LIGHT, 2" ROUND LED, AMBER
6	2	232073	LIGHT, 2" ROUND LED, RED
7	3	232091	LIGHT, 3/4" ROUND, LED, RED
8	2	235016	LIGHT, LICENSE PLATE, LED W/.180 BULLETS

*2009 Anniversary Parts

Item	Qty	PART #	Description
9	2	230011	Incandescent Light, License Plate
1	3	230135	Grommet, 2"
6	3	232073	Light, 2" Round LED, RED



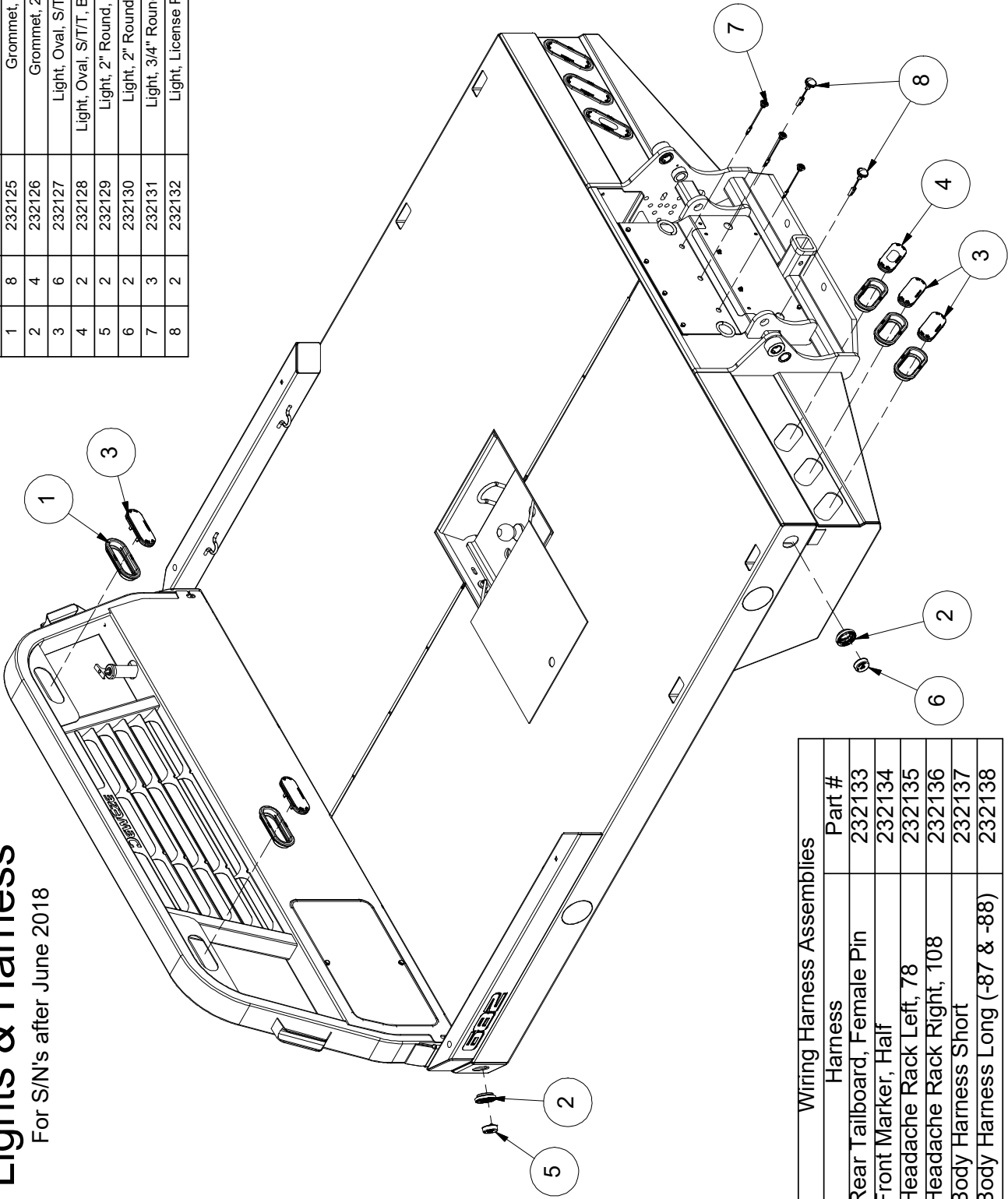
Wiring Harness Assemblies	Part #
Front Marker	232068
I.D. & License	232093
Rear Tailboard	232069
Headache Rack Left	232065
Headache Rack Right	232067
Body Harness Short	232063
Body Harness Long (-87 & -88)	232064

Lights & Harness

For S/N's after June 2018

Parts List

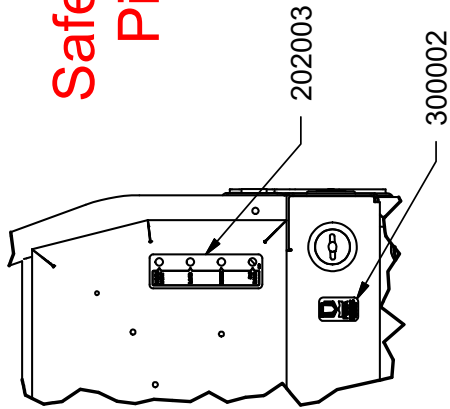
ITEM	QTY	PART #	DESCRIPTION
1	8	232125	Grommet, 6" Oval, Grote
2	4	232126	Grommet, 2" Round, Grote
3	6	232127	Light, Oval, S/T/T, Male Pin, Grote
4	2	232128	Light, Oval, S/T/T, BackUp, Male Pin, Grote
5	2	232129	Light, 2" Round, Amber, Grote 47113
6	2	232130	Light, 2" Round, Red, Grote 47112
7	3	232131	Light, 3/4" Round, Red, Grote 49332
8	2	232132	Light, License Plate, w/Plug, Grote



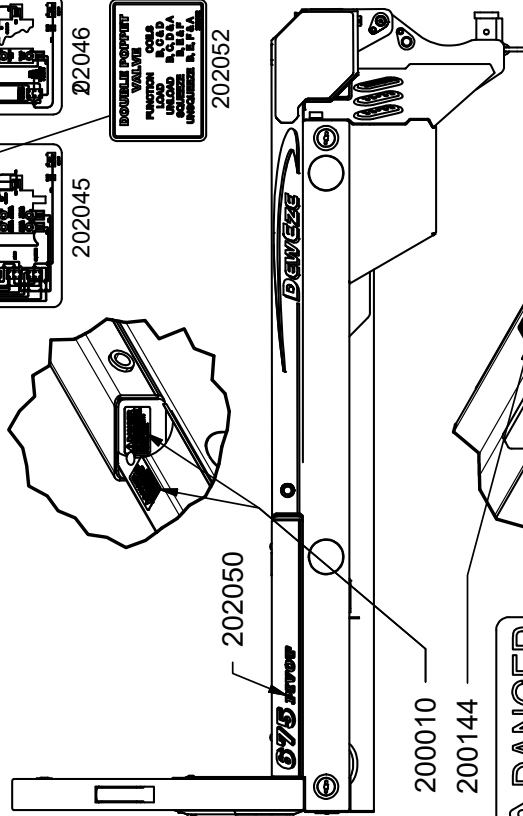
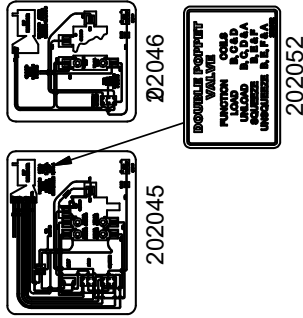
Wiring Harness Assemblies	
Harness	Part #
Rear Tailboard, Female Pin	232133
Front Marker, Half	232134
Headache Rack Left, 78	232135
Headache Rack Right, 108	232136
Body Harness Short	232137
Body Harness Long (-87 & -88)	232138

Decals Safety & Operation Pivot Squeeze

PART #	QTY	DESCRIPTION
200010	4	DANGER DECAL, HORIZONTAL
200137	1	BALE PIK-UP, SILVER SCRIPT
200144	2	DANGER DECAL, VERTICAL
200181	1	DEWEZE, SILVER OUTLINE
200190	4	REFLECTIVE DECAL
202003	1	DECAL, SWITCH IDENTIFICATION
202045	1	DECAL, WIRING DIAGRAM, KAR-TECH REMOTE
202046	1	DECAL, 3rd BANK OPTION, KAR-TECH REMOTE
202050	3	DECAL, PIVOT
202052	1	DECAL, DOUBLE POPPET VALVE
300002	1	FEMA DECAL



INSIDE OF VALVE COVER
2 BANK 3rd BANK

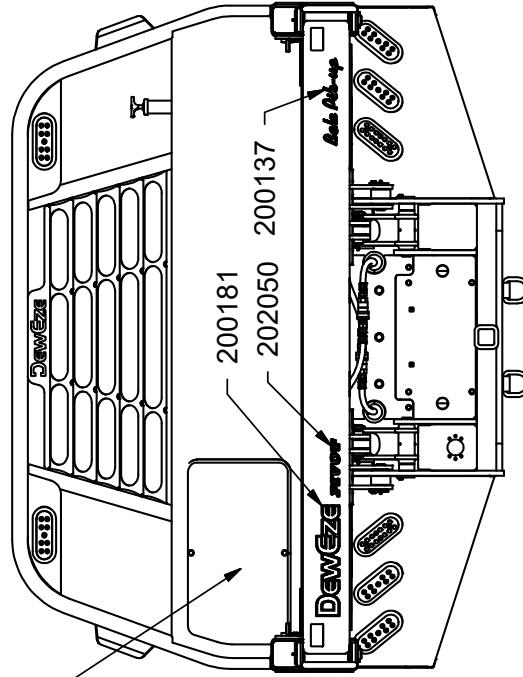


⚠ DANGER
KEEP AWAY WHILE MACHINE IS IN OPERATION TO REDUCE POSSIBILITY OF SERIOUS PERSONAL INJURY.

BOTH SIDES

⚠ WARNING
SHIELD HAS BEEN REMOVED! REPLACE PRIOR TO MACHINE OPERATION.

400014



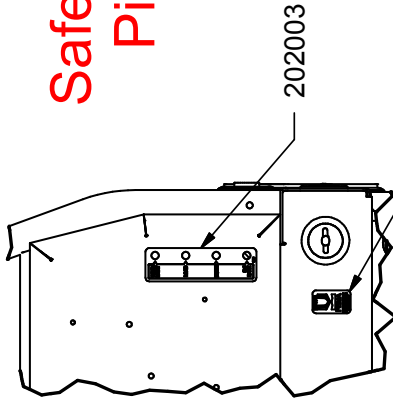
IT IS THE OWNER'S RESPONSIBILITY TO REPLACE MISSING OR DAMAGED WARNING DECALS. DECALS ARE AVAILABLE FROM YOUR DEALER OR FROM THE DEWEZE FACTORY.

400014

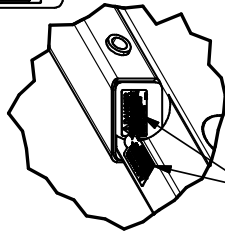
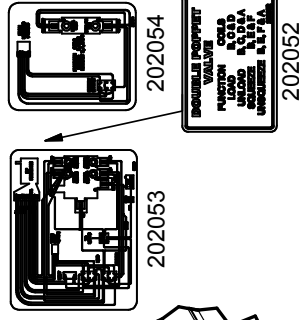
10/25/2013

Decals Safety & Operation Pivot Squeeze

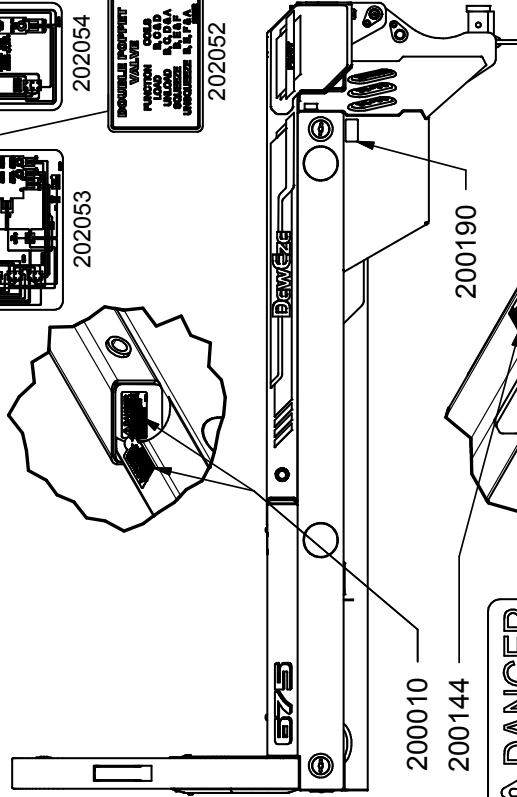
PART #	QTY	DESCRIPTION
200010	4	DANGER DECAL, HORIZONTAL
202114	1	BALE PIK-UP, SCRIPT, WARM SILVER
200144	2	DANGER DECAL, VERTICAL
202118	1	DEWEZE, OUTLINE, WARM SILVER
200190	6	REFLECTIVE DECAL
202003	1	DECAL, SWITCH IDENTIFICATION
202052	1	DECAL, DOUBLE POPPET VALVE
202053	1	DECAL, WIRING DIAGRAM, KAR-TECH REMOTE
202054	1	DECAL, 3rd BANK OPTION, KAR-TECH REMOTE
300002	1	FEMA DECAL
400014	2	DECAL, SHIELD REMOVED



INSIDE OF VALVE COVER
2 BANK
3rd BANK



300002

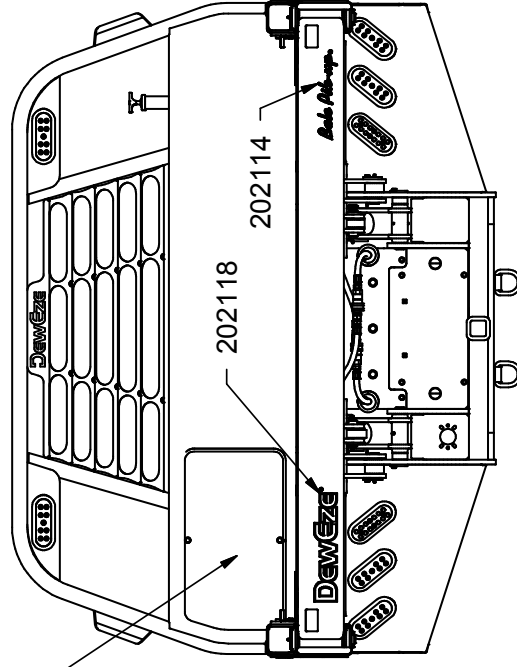


! DANGER
KEEP AWAY WHILE MACHINE IS IN OPERATION TO REDUCE POSSIBILITY OF SERIOUS PERSONAL INJURY.

BOTH SIDES

! WARNING !
SHIELD HAS BEEN REMOVED! REPLACE PRIOR TO MACHINE OPERATION

400014



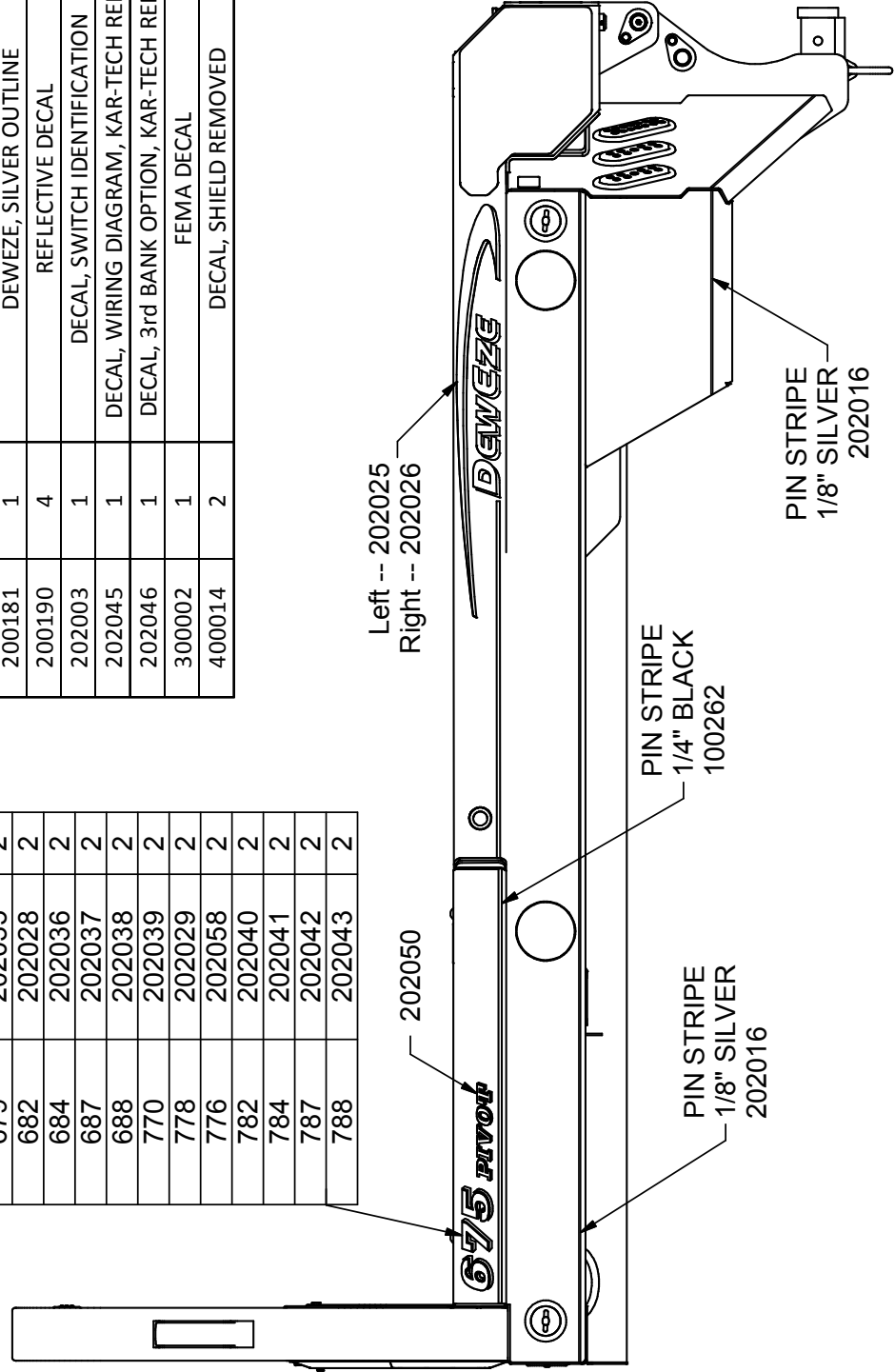
IT IS THE OWNER'S RESPONSIBILITY TO REPLACE MISSING OR DAMAGED WARNING DECALS. DECALS ARE AVAILABLE FROM YOUR DEALER OR FROM THE DEWEZE FACTORY.

8/16/2017

600 & 700 Series Pivot Squeeze Decals

Model # Decals		
Left & Right	Part #	Qty
	202033	2
	202027	2
	202057	2
	202034	2
	202035	2
	202028	2
	202036	2
	202037	2
	202038	2
	202039	2
	202029	2
	202058	2
	202040	2
	202041	2
	202042	2
	202043	2

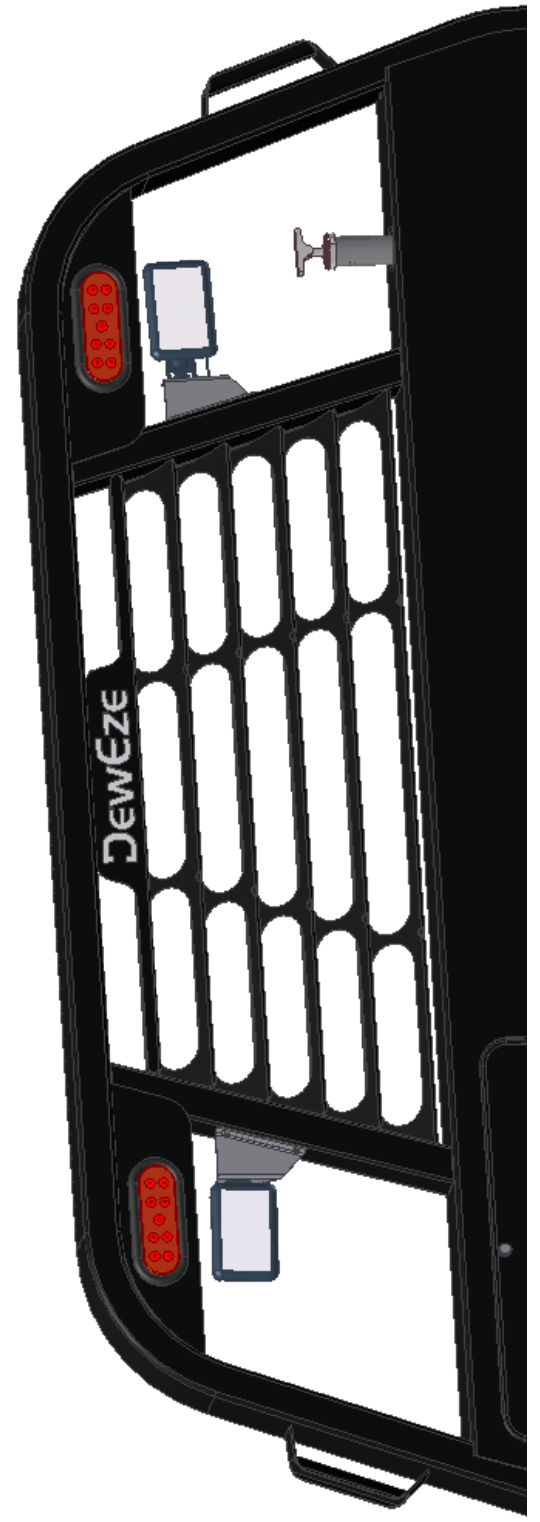
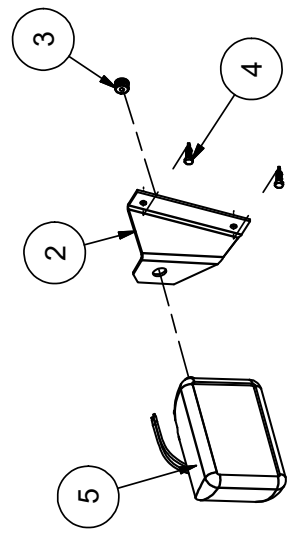
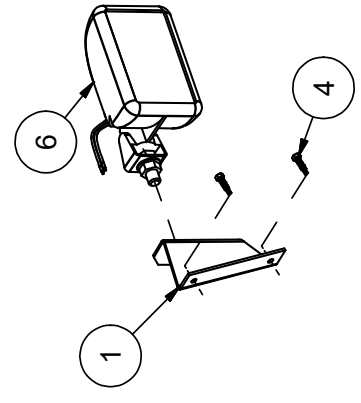
Decal Kit, 6-700 Series Part # 205058		
PART #	QTY	DESCRIPTION
200010	4	DANGER DECAL, HORIZONTAL
200137	1	BALE PIK-UP, SILVER SCRIPT
200144	2	DANGER DECAL, VERTICAL
200181	1	DEWEZE, SILVER OUTLINE
200190	4	REFLECTIVE DECAL
202003	1	DECAL, SWITCH IDENTIFICATION
202045	1	DECAL, WIRING DIAGRAM, KAR-TECH REMOTE
202046	1	DECAL, 3rd BANK OPTION, KAR-TECH REMOTE
300002	1	FEMA DECAL
400014	2	DECAL, SHIELD REMOVED



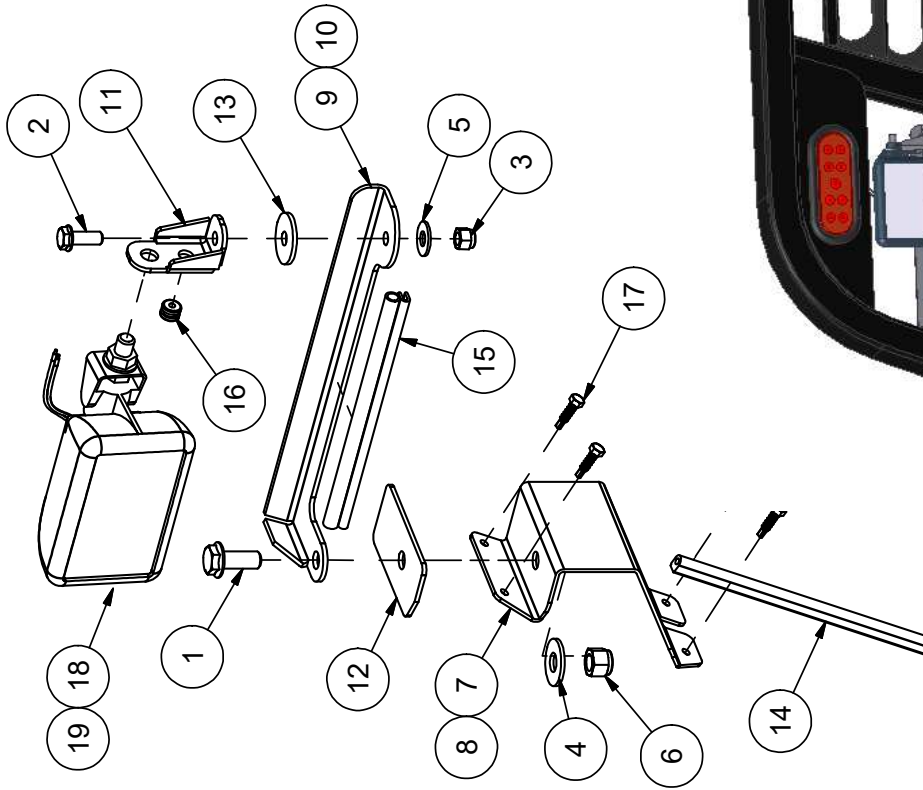
Cargo Light Assy, Part# 211391

ITEM	QTY	PART #	DESCRIPTION
1	1	211389	LIGHT BRACKET, RIGHT
2	1	211390	LIGHT BRACKET, LEFT
3	1	230146	GROMMET, 3/16 ID X 9/16 OD
4	4	710587	SCREW, 3/16 X .75 TEK SELF-TAP
5	1	830031	WORK LIGHT, LEFT
6	1	830035	WORK LIGHT, RIGHT
NOT SHOWN			
20		130004	Wire, 14ga, Black
1		130010	Terminal, Scotch Lock
1		132027	Switch, Spst, Toggle .250 Tab
1		132035	Boot, 1/2 Toggle Switch Seal
3		530071	Terminal, Ring, 10-12 Ga., 5/16
3		730008	Terminal, Butt Connector, 14-16
2		730010	Terminal, Ring, 14-16ga, 10-32

Flatbed Accessories
Cargo Lights



Flatbed Accessories Swingout Lights



Swing Light Kit, Part# 205013

ITEM	QTY	PART #	DESCRIPTION
1	2	110001	BOLT, 1/2-13 X 1.25, WIZ FLANGE
2	2	110440	BOLT, 3/8-16 X 1, WIZ FLANGE
3	2	110618	NUT, 3/8-16 LOCK NYLON INSERT
4	2	110658	WASHER, 1/2" FLAT STANDARD
5	2	110676	WASHER, 3/8" FLAT STANDARD
6	2	111034	NUT, 1/2-13 LOCK NYLON
7	1	211741	SWING LIGHT MOUNT, LEFT
8	1	211742	SWING LIGHT MOUNT, RIGHT
9	1	211743	SWING LIGHT ARM, LEFT
10	1	211744	SWING LIGHT ARM, RIGHT
11	2	211745	LIGHT MOUNT
12	2	211746	FRICTION MOUNTING PLATE
13	2	211747	FRICTION WASHER 1.5"
14	2	211748	SWING LIGHT, RUBBER SEAL
15	2	211749	SWINGLIGHT EDGE TRIM
16	2	230146	GROMMET, 3/16 ID X 9/16 OD
17	8	710586	SCREW, 1/4 X 1 TEK SELF-TAP
18	1	830031	WORK LIGHT, LEFT
19	1	830035	WORK LIGHT, RIGHT
			NOT SHOWN
	20'	130004	WIRE, 14GA BLACK
	2	130023	TERMINAL, RING, 14-16GA 3/8"
	1	132027	Switch, Spst, Toggle .250 Tab
	1	132035	Boot, 1/2 Toogle Switch Seal
	2	730008	TERMINAL, BUTT CONNECTOR, 14-16
	2	730010	TERMINAL, RING, 14-16GA, 10-32

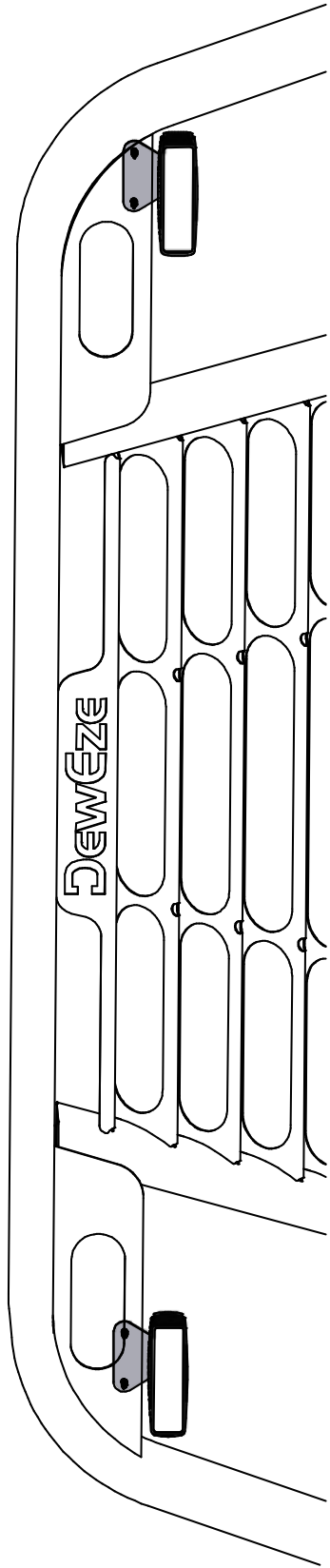
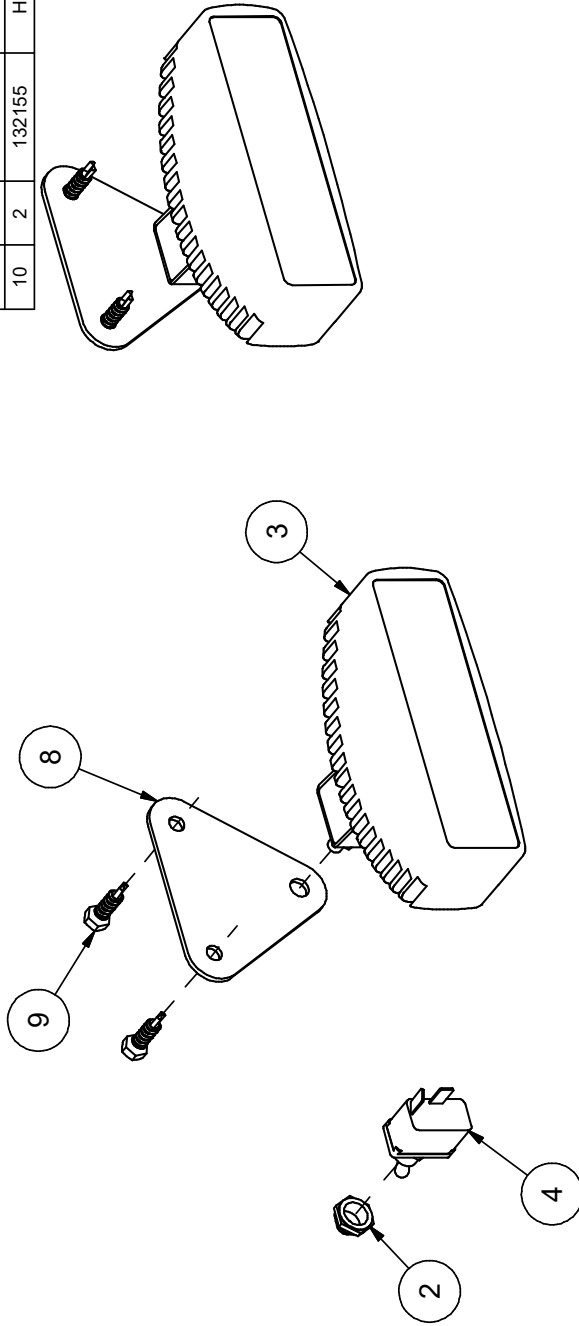


8/29/2013

Flatbed Accessories Cargo Lights LED

Cargo Light Kit, Part# 205113

ITEM	QTY	PART #	DESCRIPTION
1	5 ft	130004	Wire, 14ga Black
2	1	132035	SWITCH BOOT
3	2	132133	Light, LED, 5" Rect. Flood
4	1	132135	Switch, Toggle, SPST, On-Off
5	3	132147	Terminal, Butt Connector, 16-14, Heat Shrink
6	2	132148	Terminal, Ring, 16-14, 1/4", Heat Shrink
7	1	132149	Terminal, Multi-Wire Butt Connector, Heat Shrink
8	2	260626	Bracket, Cargo Light
9	4	710586	SCREW, 1/4 X 1 TEK SELF-TAP
10	2	132155	Harness, Packard to Packard, 2 Terminal

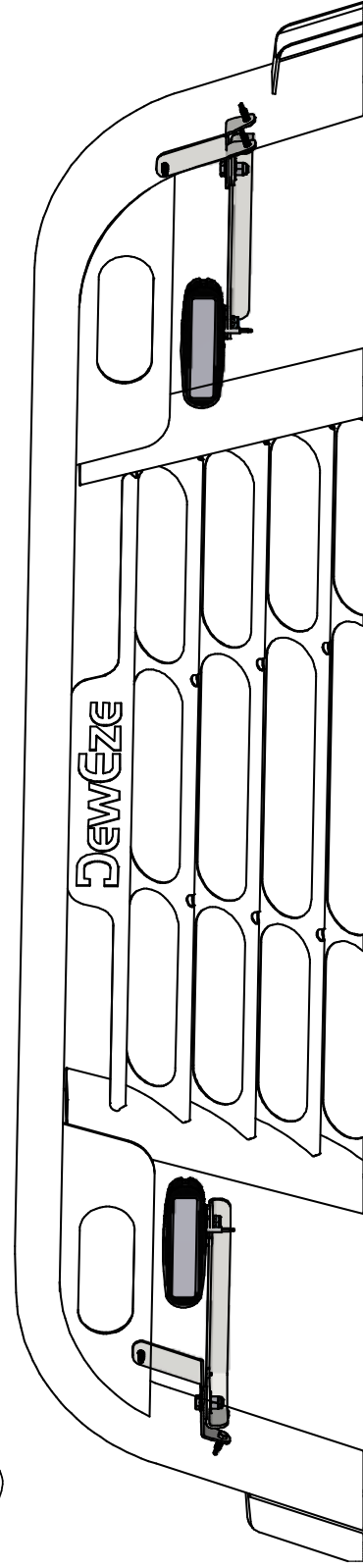
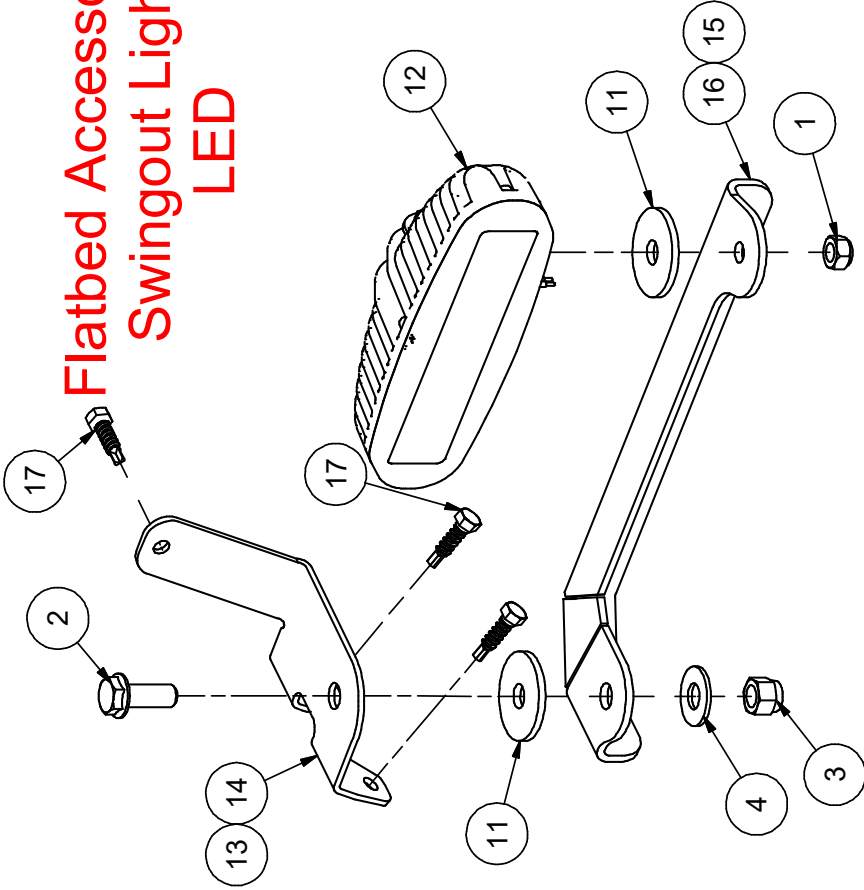


6/4/2018

Flatbed Accessories Swingout Lights LED

Swingout Light Kit, Part# 205114

ITEM	QTY	PART #	DESCRIPTION
1	2	110230	NUT, M8 X 1.25, LOCK NYLON
2	2	110440	BOLT, 3/8-16 X 1, WIZ FLANGE
3	2	110618	NUT, 3/8-16 LOCK NYLON INSERT
4	2	110676	WASHER, 3/8" FLAT STANDARD
5	5 ft	130004	Wire, 14ga Black
6	1	132035	SWITCH BOOT
7	1	132135	Switch, Toggle, SPST, On-Off
8	3	132147	Terminal, Butt Connector, 16-14, Heat Shrink
9	2	132148	Terminal, Ring, 16-14, 1/4", Heat Shrink
10	1	132149	Terminal, Multi-Wire Butt Connector, Heat Shrink
11	4	211747	FRICITION WASHER 1.5"
12	2	232139	Light, LED, 5" Rect, Flood, W/Connector
13	1	260622	Bracket, Swing Light, Base, Right
14	1	260623	Bracket, Swing Light, Base, Left
15	1	260624	Bracket, Swing Light, Arm, Right
16	1	260625	Bracket, Swing Light, Arm, Left
17	6	710586	SCREW, 1/4 X 1 TEK SELF-TAP

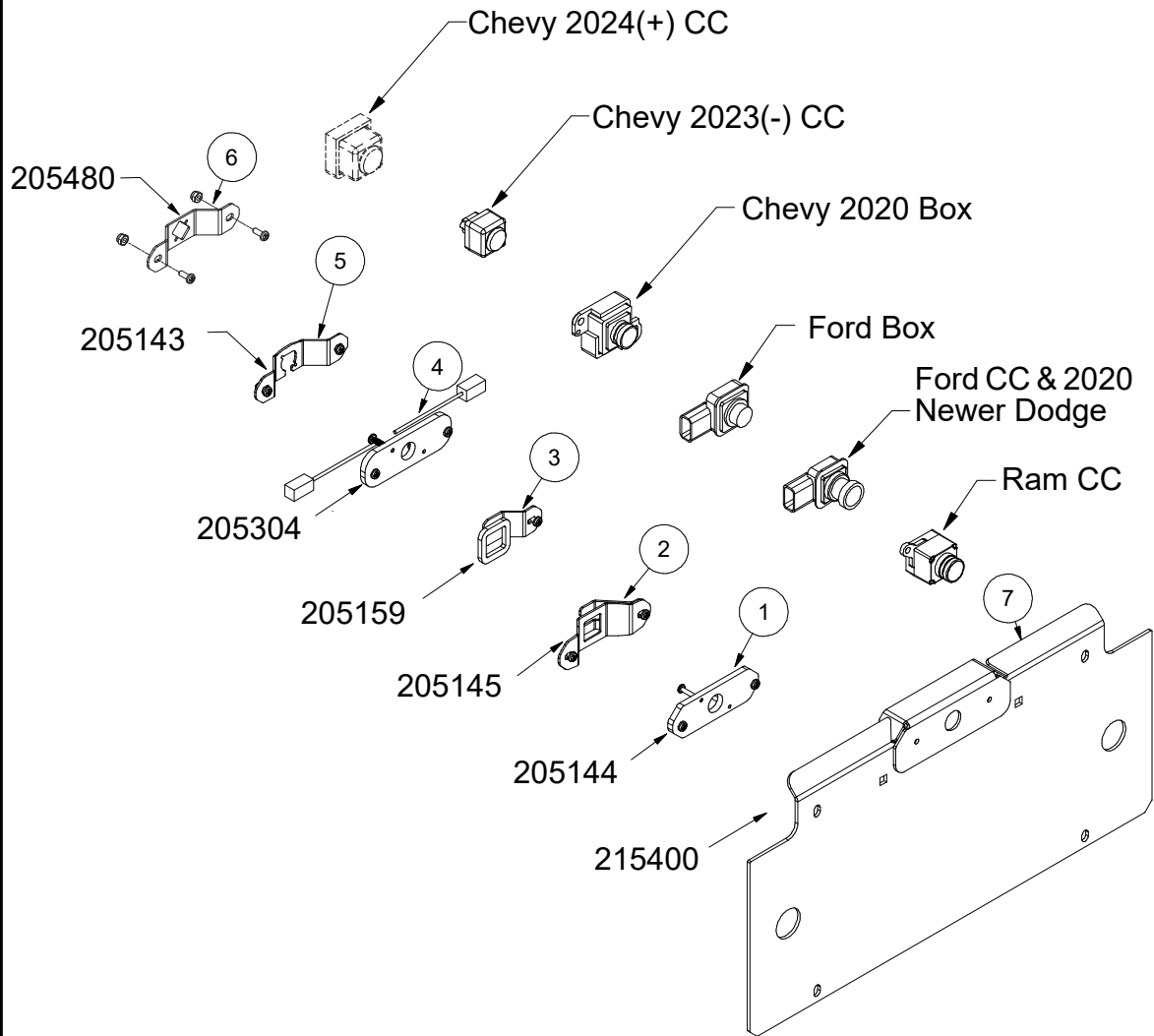


12/14/2018

HARNESS ADAPTERS: OEM TO DEWEZE

ITEM		DESCRIPTION	YEAR
232235	FORD	Harness Adapter Ford BTO	2023 +
232184		Harness Adapter Ford BTO	2020 - 2022
232192		BLIS add on to 232184 (Cut and cap the two red wires from existing splice. Crimp the main red wire into 232192)	-
232119		Harness Adapter Ford BTO	2017 - 2019
232118		Harness Adapter Ford BTO	2011 - 2016
232046		Harness Adapter Ford BTO	2000 - 2010
232047		Harness Adapter Ford CC	2000 - 2024
232237	CHEVY	Harness Adapter Chevy / GMC BTO	2024
232181		Harness Adapter Chevy / GMC BTO	2020 - 2023
232117		Harness Adapter Chevy / GMC CC & BTO	2016 - 2019
232116		Harness Adapter Chevy / GMC CC & BTO	2015
232050		Harness Adapter Chevy / GMC BTO	2002 - 2014
232050		Harness Adapter Chevy / GMC CC	2002 - 2014
232186		Harness Adapter Chevy / GMC CC	2020 - 2023
232194	DODGE	Harness Adapter Dodge / Ram BTO Incandescent	2000 - 2023
232233		Harness Adapter Dodge / Ram BTO LED Add (x2) to the 232194	2000 - 2023
232059		Harness Adapter Dodge / Ram CC	2007 - 2024
232049		Harness Generic, Flatbed to Blunt Cut	-
232079		LED Load Equalizer (Maxxima)(PL3 Connector)(Yellow Male/Black Female)	-
232143		LED Load Equalizer (Grote Connector) (Round)(Blue Male/Blue Female)	-

REAR VIEW CAMERA MOUNTING KITS *



***Mount Disclaimer:** These mounting kits were designed for the most common mounting-to-camera. Manufacturers change camera styles & mountings even within the same year. Use best practices to modify if need be.

***Installer note:** DewEze does not engineer wiring nor harnesses for the camera. It is the installers' responsibility to trace the OEM cable to re-attach.

Item	Qty	Part #	DESCRIPTION
1	1	205144	Dodge/Ram CC Camera Mount Kit
2	1	205145	Ford Camera & Dodge 2020+ Mount Kit
3	1	205159	Ford Box Take-Off Camera Mount Kit
4	1	205304	Chevy/ GM 2020 Box Take-Off Camera Mount Kit
5	1	205143	Chevy/GM CC 2023- Camera Mount Kit
6	1	205480	Chevy/GM CC 2024+ Camera Mount Kit
7	1	215400	Camera Mount Weldment

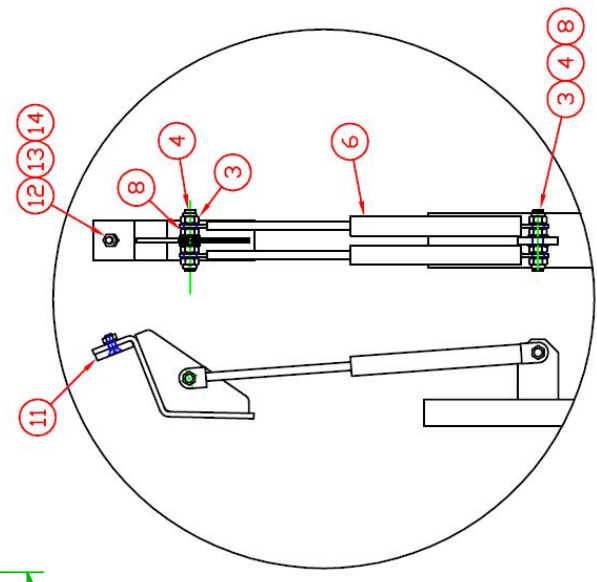
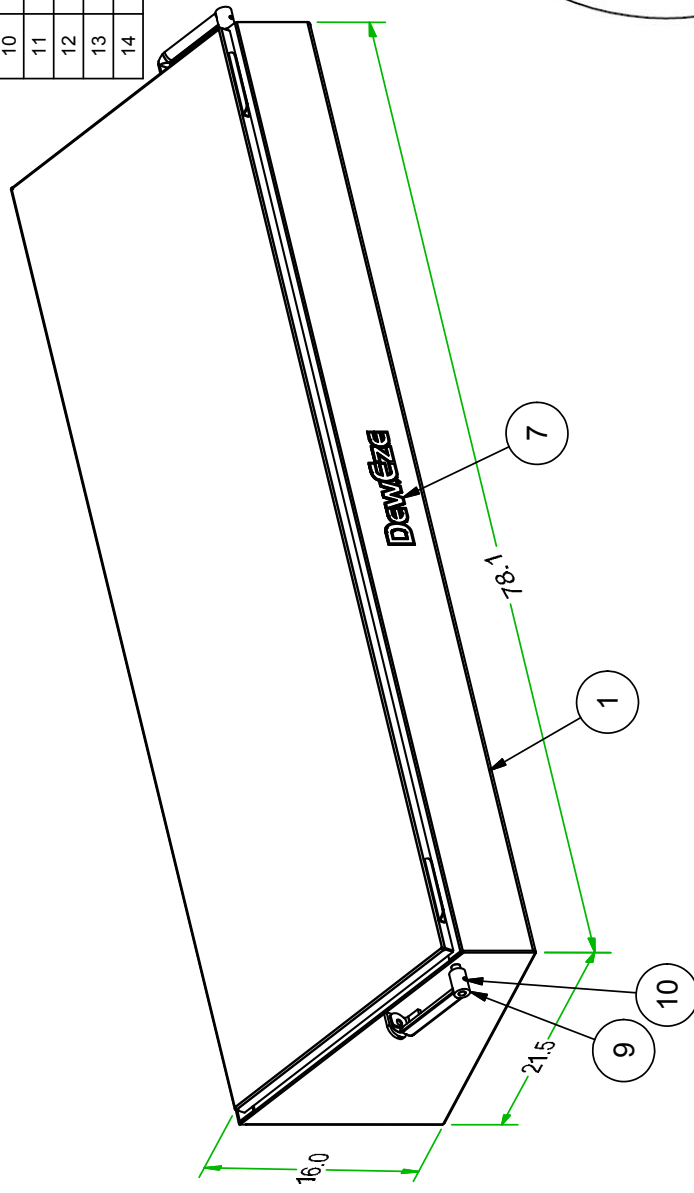
BED MOUNTING KITS *

***Installer note:** Kits were designed to match specific bed styles to a model of OEM truck.
Use best practices & measurements for fitment, or choose the Yellow Bag generic kit.

MAKE	PART #	YEAR	DESCRIPTION
FORD	205112	2017+	Ford Box Delete 671, 676, 776
	205084	1998-2016	Ford Box Delete 676, 776
	205064	2012-2016	Ford Box Delete 670, 770
	205036	1998-2011	Ford Box Delete "Super Duty" 670, 770
	205041	Pre-1997	Ford Box Delete "Non Super Duty" 670
	205111	2017+	Ford Cab-Chassis 679, 684, 784
	205078	1999-2016	Ford Cab-Chassis 679, 684, 784
	205149	2017+	Ford Cab-Chassis 688, 788
	205080	1999-2016	Ford Cab-Chassis 688, 788
CHEVY/ GM	205303	2020+	Chevrolet Box Delete, 671, 676, 776
	205063	2011-2019	Chevrolet Box Delete 670
	205038	2000-2010	Chevrolet Box Delete 670
	205085	2011-2019	Chevrolet Box Delete 676, 776
	205086	2000-2010	Chevrolet Box Delete 676, 776
	205047	2011+	Chevrolet Cab-Chassis 684, 784
	205051	2000-2010	Chevrolet Cab-Chassis 684, 784
	205281	2019+	Chevrolet (4500-5500) Cab-Chassis 684, 784
	205069	2011+	Chevrolet Cab-Chassis 688, 788
	205424	2019+	Chevrolet (4500-5500) Cab-Chassis 688, 788
DODGE/ RAM	205185	2019+	Dodge Box Delete 670, 770
	205093	2014-2018	Dodge Box Delete 670, 770
	205469	2003-2013	Dodge Box Delete 670, 770
	205054	1994-2002	Dodge Box Delete 670, 770
	205173	2019+	Dodge (3500) Box Delete 676, 776
	205121	2014-2018	Dodge (3500) Box Delete 676, 776
	205087	2014+	Dodge (2500) Box Delete 676, 776
	205082	2003-2013	Dodge Box Delete 676, 776
	205089	1994-2002	Dodge Box Delete 676, 776
	205039	2007+	Dodge Cab-Chassis 679, 684, 784
	205065	2007+	Dodge Cab-Chassis 688, 788
MISC.	205029	Yellow Bag & Contents (applicable to older truck models not listed above)	

Flatbed Accessories Across the Bed Toolbox

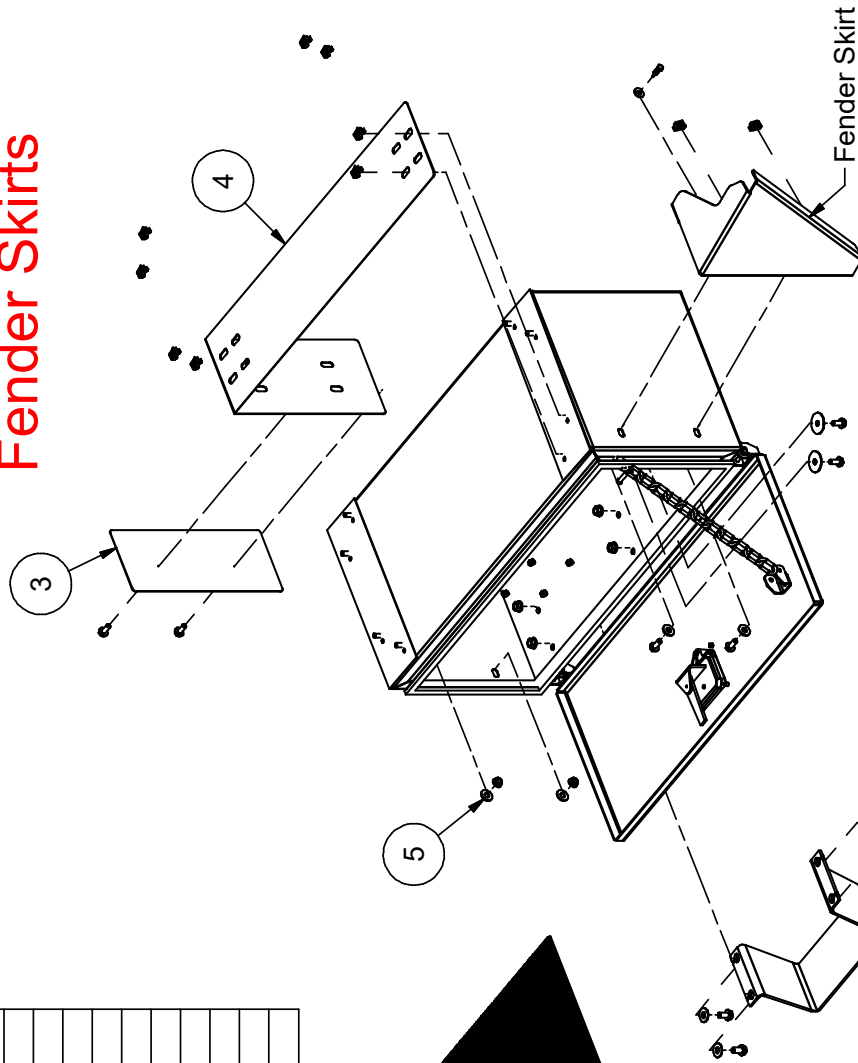
Across the Bed Toolbox, Part# 210915		ITEM	QTY	PART #	DESCRIPTION
1	1	210914	TOOLBOX WELD ASSEMBLY		
2	2	211132	BUSHING, .625 X .5 X .062 FNG		
3	4	110618	NUT, 3/8-16 LOCK NYLON INSERT		
4	1	210908	ALL THREAD		
5	2	211134	SPRING/LATCH		
6	2	500078	Shock, Gas Filled		
7	1	400010	DECAL, DEWEZE BLACK OUTLINE		
8	4	110645	NUT, 3/8-16 WIZ FLANGE		
9	1	211143	HANDLE WELD ASSY		
10	2	110239	SetScrew, 5/16-18 X 0.3125		
11	1	211138	WEAR PAD, PLASTIC TOOLBOX		
12	1	110238	1/4-20 X .75 FLAT C'SUNK SCREW		
13	1	110667	WASHER, 1/4" LOCK		
14	1	110609	NUT, 1/4-20		



3/21/2011

Flatbed Accessories 30" Toolbox Fender Skirts

Toolbox Complete W/Step, Part# 205011			
ITEM	QTY	PART #	DESCRIPTION
1	1	211109	STEP, TOOLBOX
2	.7 ft	100449	Traction Pad
3	1	202001	DECAL, CHIP GUARD
4	1	211684	SHIELD, TOP & SIDE
5	1	205012	BOLT PACKAGE
	10	110258	NUT, 5/16-18, CAGE TINNERMAN
	12	110444	BOLT, 5/16-18 X 0.75, WIZ FLANGE
	4	110437	BOLT, 3/8-16 X 0.75, WIZ FLANGE
	4	110645	NUT, 3/8-16 WIZ FLANGE
	4	110676	WASHER, 3/8" FLAT STANDARD
	2	110606	NUT, 5/16-18 WIZ FLANGE
	4	110665	WASHER, 5/16" FLAT STANDARD
	8	110049	WASHER, 5/16" X 1 1/2 FENDER

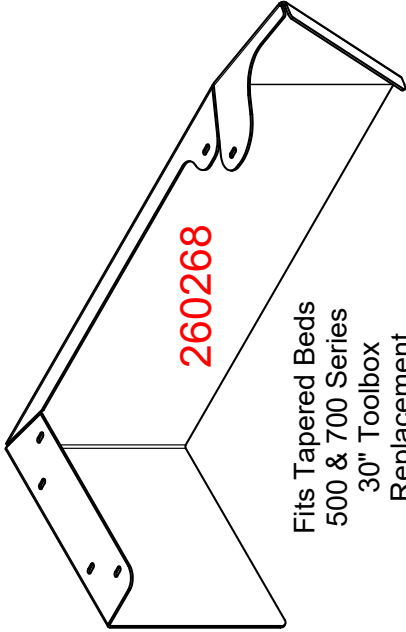


Fender Skirts	Kits	Left	Right
400 Series	Short	260269	260270
	Long	211293	211294
500 Series	Short	260271	260272
	Long	211587	211588
600 Series	Short	260269	260270
	Long	260273	260274
700 Series	Short	260271	260272
	Long	260275	260276

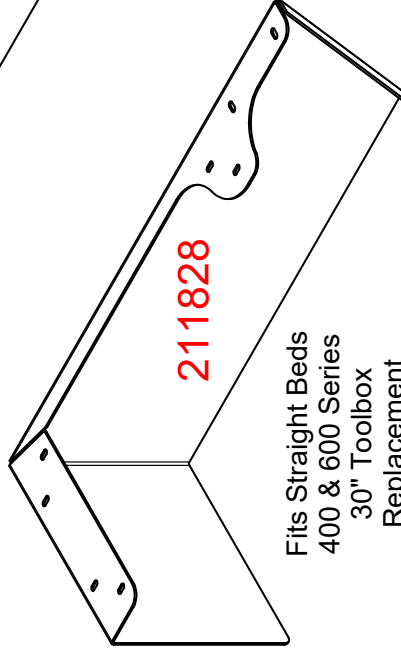
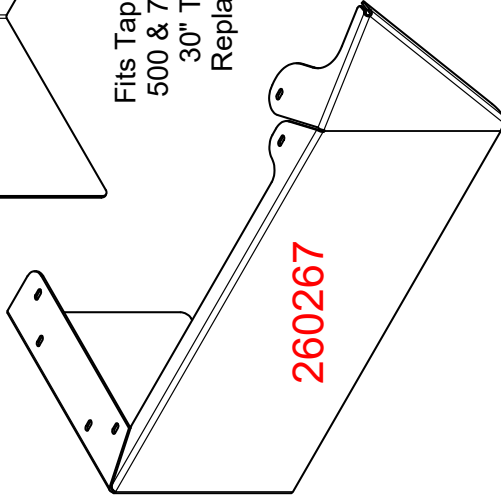
Service Parts for Toolbox		
QTY	PART #	DESCRIPTION
4	110174	NUT, 1/4-20 LOCK 2-WAY
3	112011	PUSH NUT, WASHER CAP STYLE
3	112095	CLEVIS PIN, STD ZP 1/4 X 1 5/8
1	202010	SEAL, TOOLBOX LID (TRIM-LOK X-2897)
1	211119	TOOL BOX MAT
2	212003	Gasket, Toolbox Mount use DK1111 Foam
1	212017	Latch, Toolbox w/Studs, Key & Gasket
1	212015	Gasket, Toolbox Latch
1	212016	Key, Toolbox Latch
1	205014	Door, Toolbox, Service Part

Front Skirt Toolbox Replacement

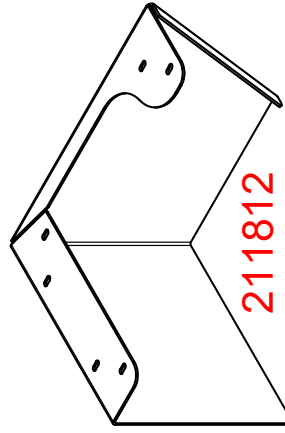
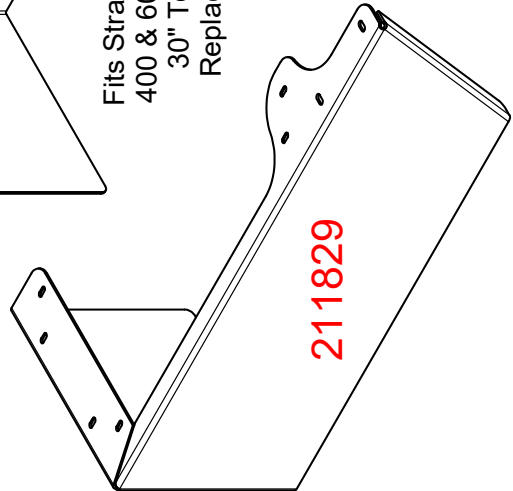

215116
 Bolt Kit
 1ea Required
 Per Fenderskirt



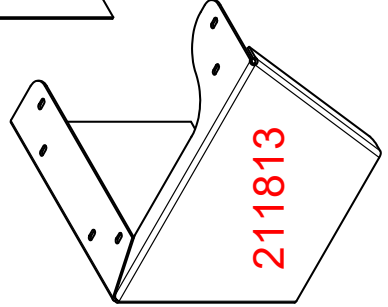
Fits Tapered Beds
 500 & 700 Series
 30" Toolbox
 Replacement



Fits Straight Beds
 400 & 600 Series
 30" Toolbox
 Replacement

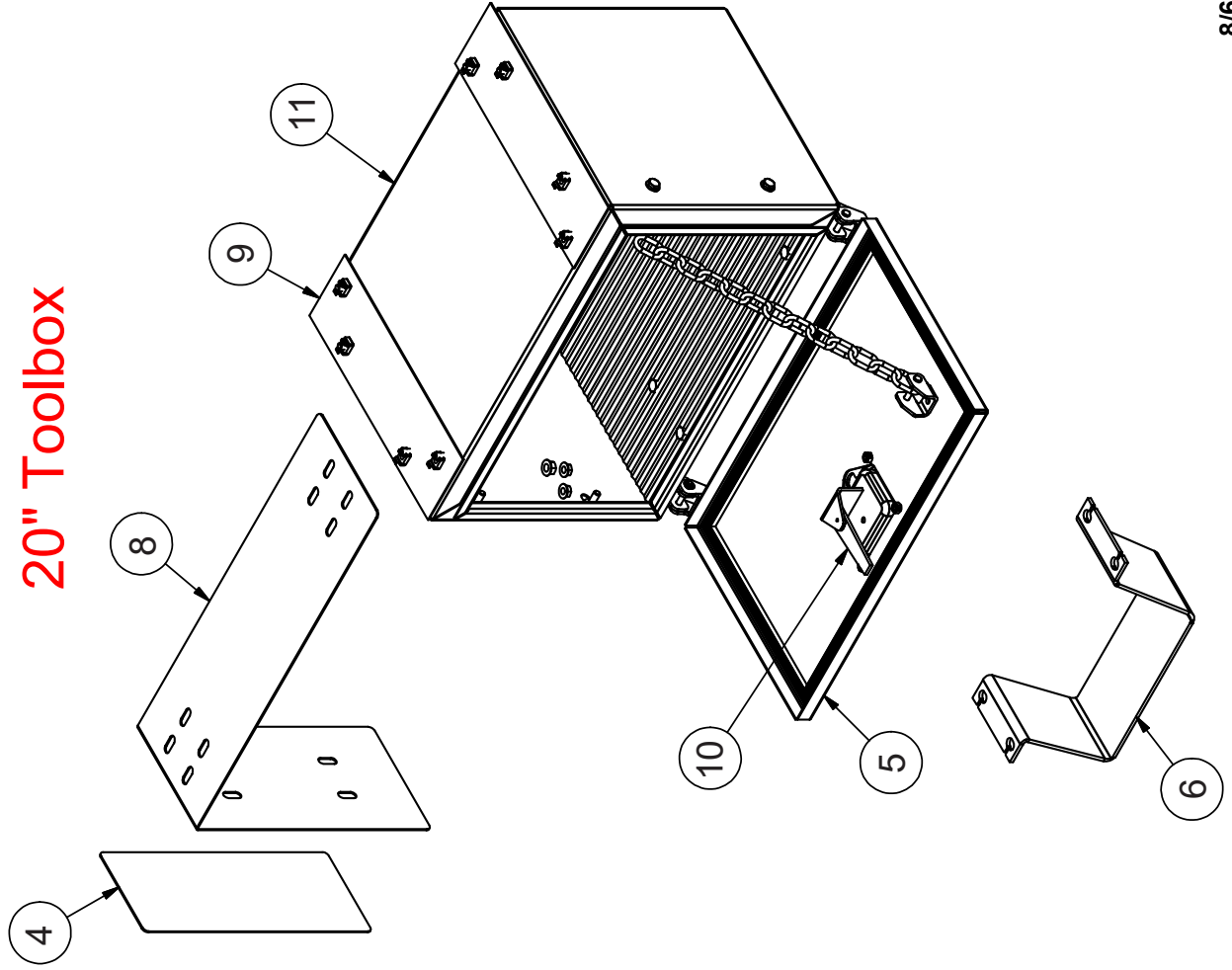


Fits Short Beds
 20" Toolbox
 Replacement

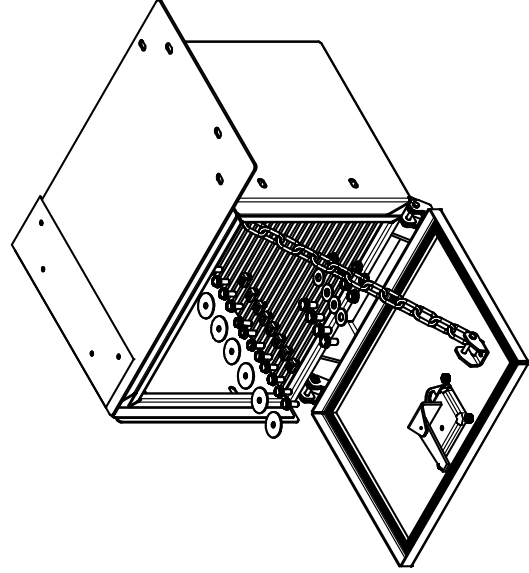
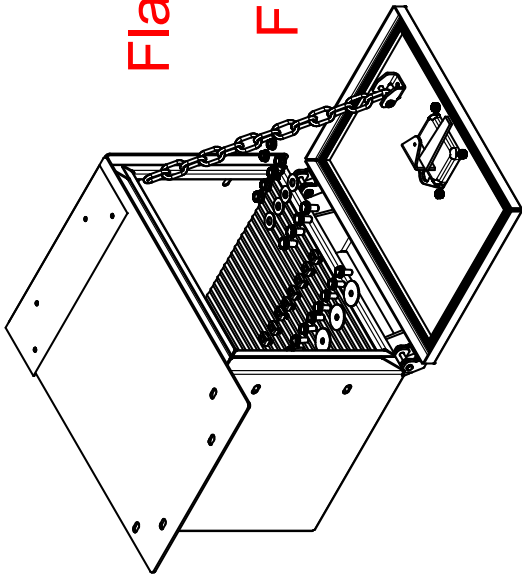


20" TOOLBOX W/STEP 205030	
ITEM	DESCRIPTION
1	100449 Traction Pad
2	4 110174 Nut, 1/4-20 Lock 2-Way
3	1 205012 Bolt Package
3.1	8 110049 Washer, 5/16 X 1.50 Fender
3.2	12 110258 Nut, 5/16-18, Cage Tinnerman
3.3	4 110437 Bolt, 3/8-16 X 0.75, Wiz Flange
3.4	14 110444 Bolt, 5/16-18 X 0.75, Wiz Flange
3.5	2 110606 Nut, 5/16-18 Wiz Flange
3.6	4 110645 Nut, 3/8-16 Wiz Flange
3.7	4 110665 Washer, 5/16" Flat Standard
3.8	4 110676 Washer, 3/8" Flat Standard
4	1 202001 Decal, Chip Guard
5	1 205489 Toolbox Lid 20"
5.1	3 112011 Push Nut, Washer Cap Style
5.2	3 112095 Clevis Pin, Std Zp 1/4 X 1 5/8
5.3	1 202010 Seal, Toolbox Lid (Trim-Lok X-2897)
5.4	1 215133 Toolbox Door & Hinge Weldment 20"
5.5	2 270139 Toolbox Door Hinge, Inner Half
6	1 211109 Step, Toolbox
7	1 211248 Toolbox Mat 20"
8	1 211593 Toolbox Chip Guard 20"
9	2 212003 Gasket, Toolbox Mount
10	1 212017 Latch, Toolbox W/Studs, Key & Gasket
10.1	1 212015 Gasket, Toolbox Latch
11	1 215131 Toolbox & Hinge Weldment 20"

Flatbed Accessories 20" Toolbox



**Flatbed Accessories
17" Toolbox
Fits 20" Mounting**



11/7/2017

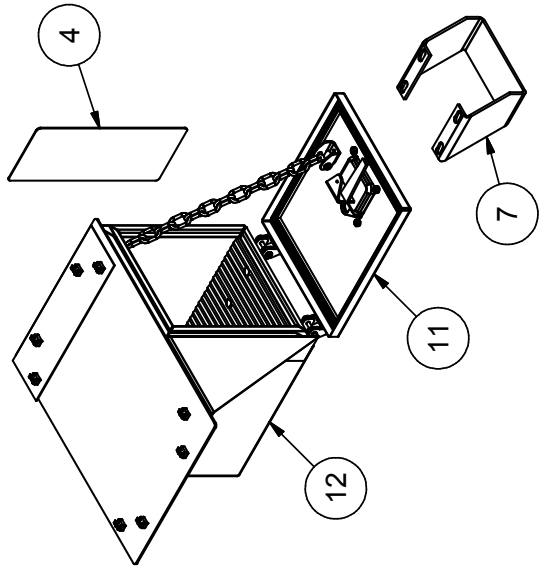
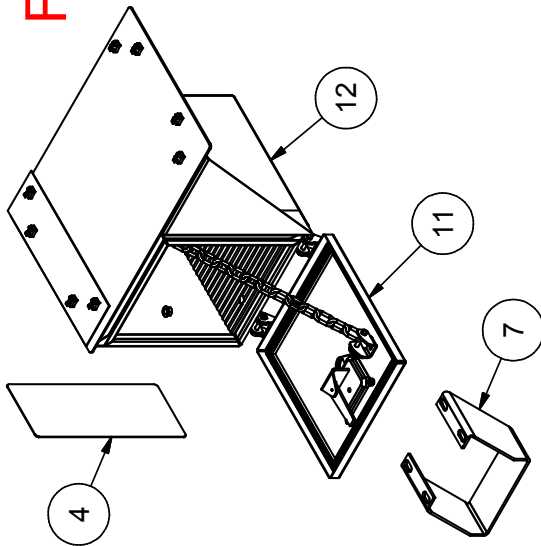
Toolbox Complete W/Step, 17" Left (205139)

ITEM	QTY	PART #	DESCRIPTION
1	4	110174	NUT, 1/4-20 LOCK 2-WAY
2	3	112011	PUSH NUT, WASHER CAP STYLE
3	3	112095	CLEVIS PIN, STD ZP 1/4 X 1 5/8
4	1	202001	DECAL, CHIP GUARD
5	1	202010	SEAL, TOOLBOX LID (TRIM-LOK X-2897)
6	1	205012	BOLT PACKAGE
8	110049	WASHER, 5/16 X 1.50 FENDER	
12	110258	NUT, 5/16-18, CAGE TINNERMAN	
4	110437	BOLT, 3/8-16 X 0.75, WIZ FLANGE	
14	110444	BOLT, 5/16-18 X 0.75, WIZ FLANGE	
2	110606	NUT, 5/16-18 WIZ FLANGE	
4	110645	NUT, 3/8-16 WIZ FLANGE	
4	110665	WASHER, 5/16" FLAT STANDARD	
4	110676	WASHER, 3/8" FLAT STANDARD	
7	1	211109	STEP, TOOLBOX
	.7 ft	100449	Traction Pad
8	1	212003	GASKET, TOOLBOX MOUNT
9	1	212017	Latch, Toolbox w/Studs, Key & Gasket
	1	212015	Gasket, Toolbox Latch
10	1	215213	WELDMENT, TOOLBOX DOOR & HINGE, 17"
11	1	215393	Weldment, 17" Left, Toolbox & Hinge
12	1	260719	Toolbox Mat, 17"

Toolbox Complete W/Step, 17" Right (205138)

ITEM	QTY	PART #	DESCRIPTION
1	4	110174	NUT, 1/4-20 LOCK 2-WAY
2	3	112011	PUSH NUT, WASHER CAP STYLE
3	3	112095	CLEVIS PIN, STD ZP 1/4 X 1 5/8
4	1	202001	DECAL, CHIP GUARD
5	1	202010	SEAL, TOOLBOX LID (TRIM-LOK X-2897)
6	1	205012	BOLT PACKAGE
8	110049	WASHER, 5/16 X 1.50 FENDER	
12	110258	NUT, 5/16-18, CAGE TINNERMAN	
4	110437	BOLT, 3/8-16 X 0.75, WIZ FLANGE	
14	110444	BOLT, 5/16-18 X 0.75, WIZ FLANGE	
2	110606	NUT, 5/16-18 WIZ FLANGE	
4	110645	NUT, 3/8-16 WIZ FLANGE	
4	110665	WASHER, 5/16" FLAT STANDARD	
4	110676	WASHER, 3/8" FLAT STANDARD	
7	1	211109	STEP, TOOLBOX
	.7 ft	100449	Traction Pad
8	1	212003	GASKET, TOOLBOX MOUNT
9	1	212017	Latch, Toolbox w/Studs, Key & Gasket
	1	212015	Gasket, Toolbox Latch
10	1	215213	WELDMENT, TOOLBOX DOOR & HINGE, 17"
11	1	215394	Weldment, 17" Right, Toolbox & Hinge
12	1	260719	Toolbox Mat, 17"

Flatbed Accessories
12" Toolbox
Fits 20" Mounting



11/7/2017

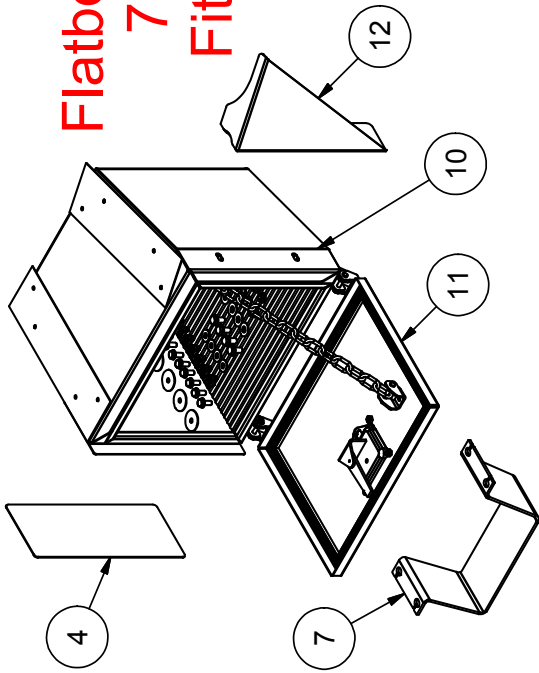
Toolbox Complete W/Step, 12" Right (205032)

ITEM	QTY	PART #	DESCRIPTION
1	4	110174	NUT, 1/4-20 LOCK 2-WAY
2	3	112011	PUSH NUT, WASHER CAP STYLE
3	3	112095	CLEVIS PIN, STD ZP 1/4 X 1 5/8
4	1	202001	DECAL, CHIP GUARD
5	1	202010	SEAL, TOOLBOX LID (TRIM-LOK X-2897)
6	1	205012	BOLT PACKAGE
8	110049	WASHER, 5/16 X 1.50 FENDER	
12	110258	NUT, 5/16-18, CAGE TINNERMAN	
4	110437	BOLT, 3/8-16 X 0.75, WIZ FLANGE	
14	110444	BOLT, 5/16-18 X 0.75, WIZ FLANGE	
2	110606	NUT, 5/16-18 WIZ FLANGE	
4	110645	NUT, 3/8-16 WIZ FLANGE	
4	110665	WASHER, 5/16" FLAT STANDARD	
4	110676	WASHER, 3/8" FLAT STANDARD	
7	1	210697	STEP TOOL BOX
	.5 ft	100449	Traction Pad
8	1	211871	TOOLBOX MAT 12"
9	1	212003	GASKET, TOOLBOX MOUNT
10	1	212017	Latch, Toolbox w/Studs, Key & Gasket
	1	212015	Gasket, Toolbox Latch
	1	212015	Gasket, Toolbox Latch
11	1	215136	TOOLBOX DOOR & HINGE WELDMENT 12"
12	1	215152	WELDMENT, TOOLBOX 12" W/SKIRT, RIGHT

Toolbox Complete W/Step, 12" Left (205033)

ITEM	QTY	PART #	DESCRIPTION
1	4	110174	NUT, 1/4-20 LOCK 2-WAY
2	3	112011	PUSH NUT, WASHER CAP STYLE
3	3	112095	CLEVIS PIN, STD ZP 1/4 X 1 5/8
4	1	202001	DECAL, CHIP GUARD
5	1	202010	SEAL, TOOLBOX LID (TRIM-LOK X-2897)
6	1	205012	BOLT PACKAGE
8	110049	WASHER, 5/16 X 1.50 FENDER	
12	110258	NUT, 5/16-18, CAGE TINNERMAN	
4	110437	BOLT, 3/8-16 X 0.75, WIZ FLANGE	
14	110444	BOLT, 5/16-18 X 0.75, WIZ FLANGE	
2	110606	NUT, 5/16-18 WIZ FLANGE	
4	110645	NUT, 3/8-16 WIZ FLANGE	
4	110665	WASHER, 5/16" FLAT STANDARD	
4	110676	WASHER, 3/8" FLAT STANDARD	
7	1	210697	STEP TOOL BOX
	.5 ft	100449	Traction Pad
8	1	211871	TOOLBOX MAT 12"
9	1	212003	GASKET, TOOLBOX MOUNT
10	1	212017	Latch, Toolbox w/Studs, Key & Gasket
	1	212015	Gasket, Toolbox Latch
11	1	215136	TOOLBOX DOOR & HINGE WELDMENT 12"
12	1	215151	WELDMENT, TOOLBOX 12" W/SKIRT, LEFT

**Flatbed Accessories
770 Toolbox
Fits "770" only**

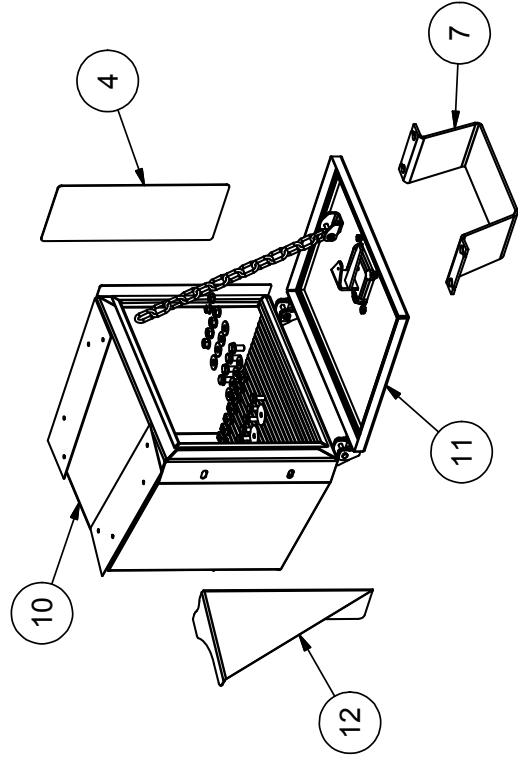


Toolbox Complete W/Step, 770 Right (205044)

ITEM	QTY	PART #	DESCRIPTION
1	4	110174	NUT, 1/4-20 LOCK 2-WAY
2	3	112011	PUSH NUT, WASHER CAP STYLE
3	3	112095	CLEVIS PIN, STD ZP 1/4 X 1 5/8
4	1	202001	DECAL, CHIP GUARD
5	1	202010	SEAL, TOOLBOX LID (TRIM-LOK X-2897)
6	1	205012	BOLT PACKAGE
8	110049		WASHER, 5/16 X 1.50 FENDER
12	110258		NUT, 5/16-18, CAGE TINNERMAN
4	110437		BOLT, 3/8-16 X 0.75, WIZ FLANGE
14	110444		BOLT, 5/16-18 X 0.75, WIZ FLANGE
2	110606		NUT, 5/16-18 WIZ FLANGE
4	110645		NUT, 3/8-16 WIZ FLANGE
4	110665		WASHER, 5/16" FLAT STANDARD
4	110676		WASHER, 3/8" FLAT STANDARD
7	1	211109	STEP, TOOLBOX
	.7 ft	100449	Traction Pad
8	2	212003	GASKET, TOOLBOX MOUNT
9	1	212017	Latch, Toolbox w/Studs, Key & Gasket
	1	212015	Gasket, Toolbox Latch
10	1	215212	WELDMENT, TOOLBOX & HINGE, 770 RIGHT
11	1	215213	WELDMENT, TOOLBOX DOOR & HINGE, 17"
12	1	260204	TOOLBOX SKIRT, 770, RIGHT
13	1	260206	TOOLBOX MAT 770, RIGHT

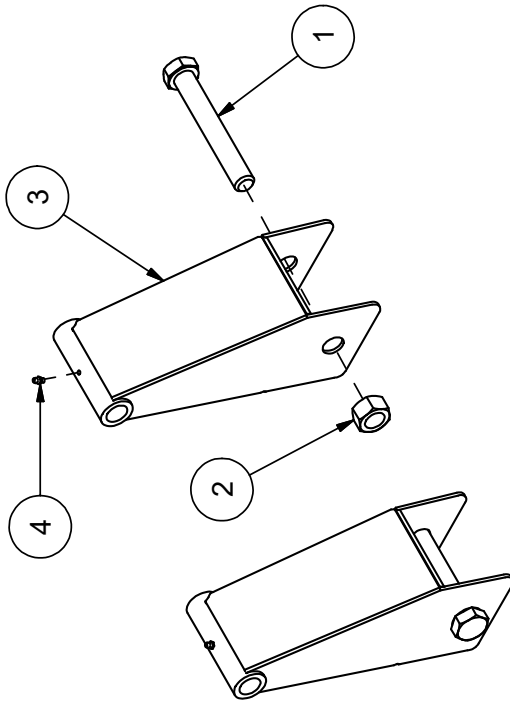
Toolbox Complete W/Step, 770 Left (205045)

ITEM	QTY	PART #	DESCRIPTION
1	4	110174	NUT, 1/4-20 LOCK 2-WAY
2	3	112011	PUSH NUT, WASHER CAP STYLE
3	3	112095	CLEVIS PIN, STD ZP 1/4 X 1 5/8
4	1	202001	DECAL, CHIP GUARD
5	1	202010	SEAL, TOOLBOX LID (TRIM-LOK X-2897)
6	1	205012	BOLT PACKAGE
8	110049		WASHER, 5/16 X 1.50 FENDER
12	110258		NUT, 5/16-18, CAGE TINNERMAN
4	110437		BOLT, 3/8-16 X 0.75, WIZ FLANGE
14	110444		BOLT, 5/16-18 X 0.75, WIZ FLANGE
2	110606		NUT, 5/16-18 WIZ FLANGE
4	110645		NUT, 3/8-16 WIZ FLANGE
4	110665		WASHER, 5/16" FLAT STANDARD
4	110676		WASHER, 3/8" FLAT STANDARD
7	1	211109	STEP, TOOLBOX
	.7 ft	100449	Traction Pad
8	2	212003	GASKET, TOOLBOX MOUNT
9	1	212017	Latch, Toolbox w/Studs, Key & Gasket
	1	212015	Gasket, Toolbox Latch
10	1	215211	WELDMENT, TOOLBOX & HINGE, 770 LEFT
11	1	215213	WELDMENT, TOOLBOX DOOR & HINGE, 17"
12	1	260203	TOOLBOX SKIRT, 770, LEFT
13	1	260205	TOOLBOX MAT 770, LEFT

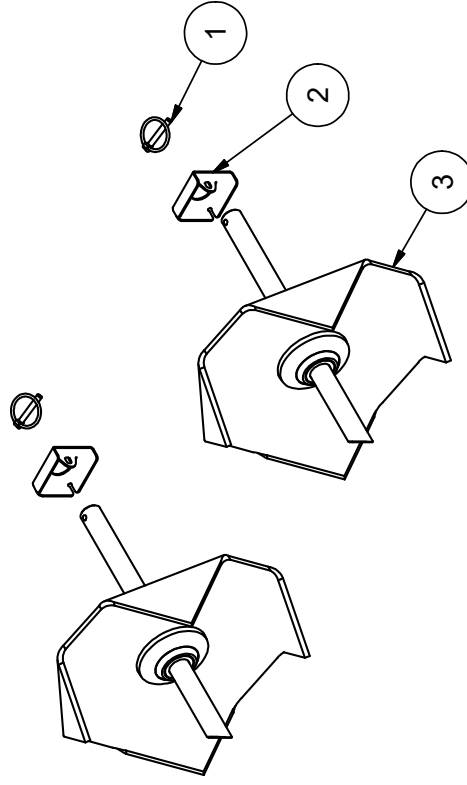
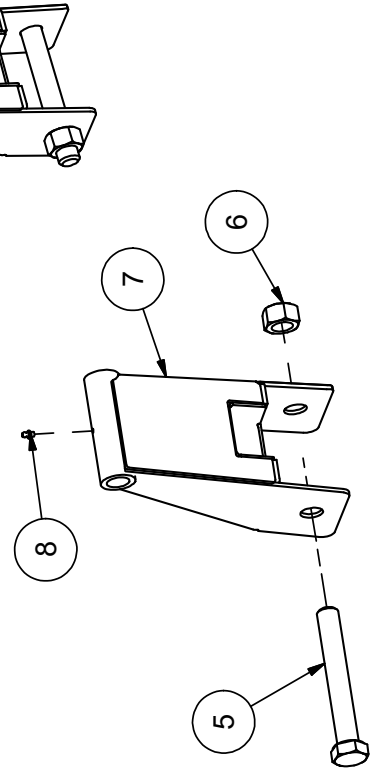


Flatbed Accessories Spinners & Risers Pivot Squeeze

Riser, Offset Pair, Part# 211145		
ITEM	QTY	PART # DESCRIPTION
1	2	110364 BOLT, 1-8 X 7.0
2	2	110601 NUT, 1-8
3	2	211125 RISER WELD ASSY
4	2	510174 GREASE ZERK, 1/4-28 ST



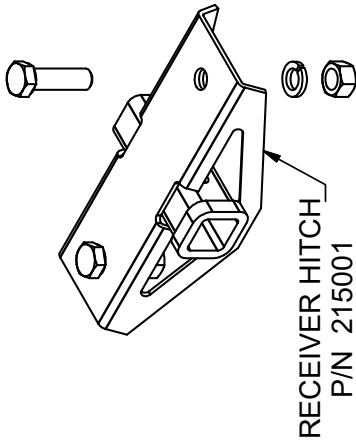
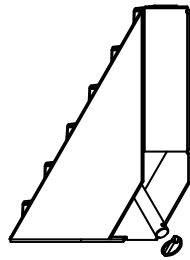
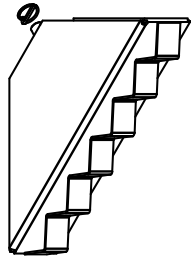
Riser, Offset Pair, Pivot XRM Part# 205096		
ITEM	QTY	PART # DESCRIPTION
5	2	110364 BOLT, 1-8 X 7.0
6	2	110601 NUT, 1-8
7	2	215308 Weldment, Riser, Pivot XRM
8	2	510174 GREASE ZERK, 1/4-28 ST



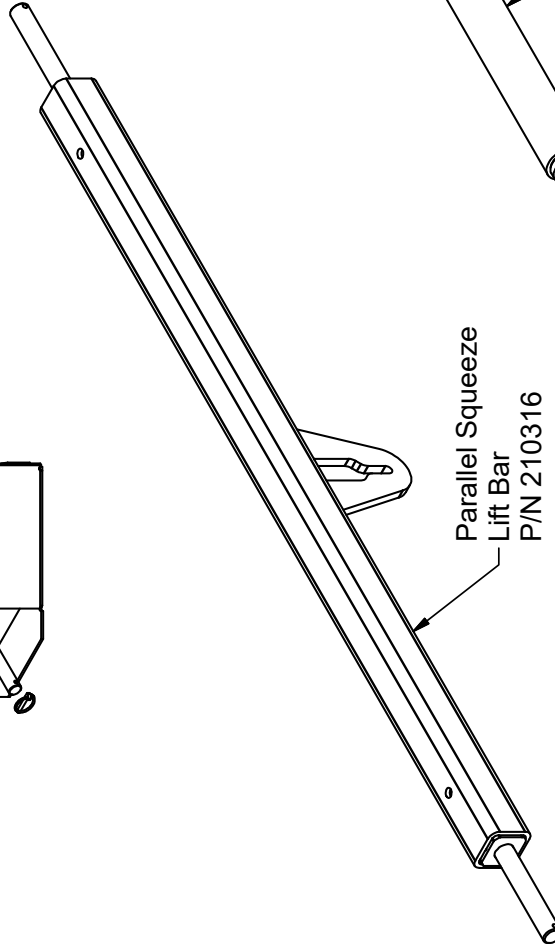
Spinner Assy, 12" Swivel Pair Part# 205077		
ITEM	QTY	PART # DESCRIPTION
1	2	210006 Pin, Lynch 1/4 x 1 1/2
2	2	211513 LYNCH PIN GUARD
3	2	215247 Weldment, Spinner, Swivel (1" Ø shaft)

OTHER ACCESSORIES

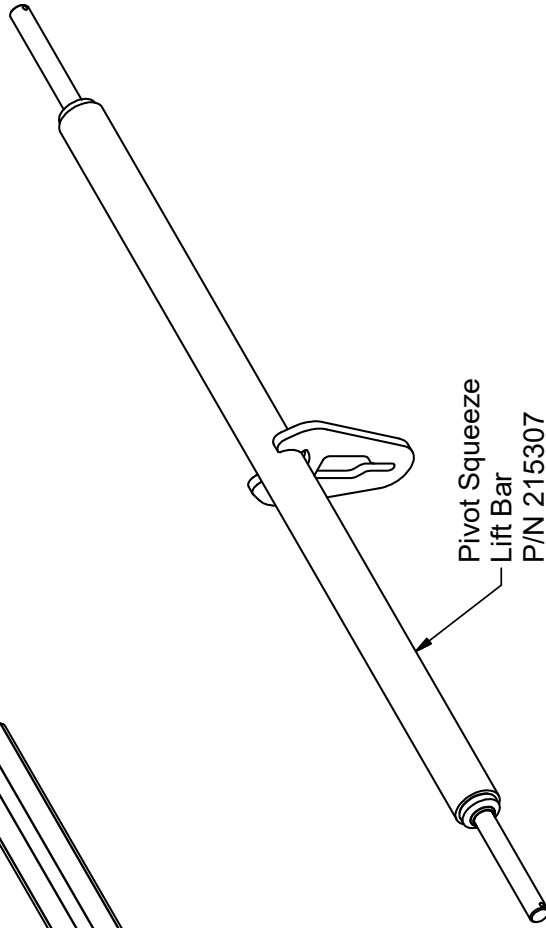
Adapter Assy, 4' Bale, Part# 210933		
ITEM	QTY	DESCRIPTION
1	2	4' BALE ADAPTER
2	2	Pin, Lynch 1/4 x 1 1/2



RECEIVER HITCH
P/N 215001



Parallel Squeeze
Lift Bar
P/N 210316



Pivot Squeeze
Lift Bar
P/N 215307

GatorHyde Repair Instructions



Required items:

- 1 – 25 x 25 ml caulking gun (202030)
- 1 – 25 x 25 ml cartridge set of GatorHyde Repair Material (202031)
- 1 – pair of rubber gloves
- 1 – wooden stick
- 1 – Instruction sheet and MSDS sheet
- 1 – MEK – methyl ethyl ketone solvent (available at most hardware stores)
- 1 – small paint brush
- 2 – plastic cups

⚠ SAFETY WARNING!
Read the Master Safety Data Sheets (MSDS) on all chemicals before handling any chemical.
See: <http://www.msds.com>

Note:

This repair is designed to easily fix small, damaged areas fast and with limited amount of effort. However this product is fast reacting so make sure to thoroughly read this instruction sheet before proceeding with repairs.

Application Instruction:

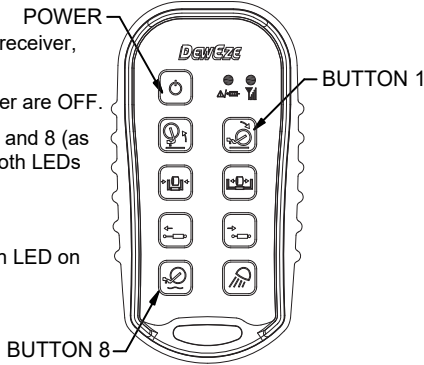
- Step 1.** Before you start, put on rubber gloves and safety glasses.
 - Step 2.** Place a piece of cardboard or newspaper next to the repair area prior to opening and mixing the material.
 - Step 3.** Cut back damaged area with a razor knife to make a square.
 - Step 4.** Sand area and feather edges with 40 grit sandpaper. Blow out sanded area to get rid of dust.
 - Step 5.** Clean area well with MEK solvent and allow to dry for 30 minutes.
 - Step 6.** Attach static mixing wand to 25 x 25 ml cartridge set, twist and lock in place. Insert cartridge into caulking gun.
 - Step 7.** Hold the caulking gun in an upright position in one hand, then set the two plastic cups on a flat surface side by side. Next point the static mixing wand into a cup and squeeze the trigger of the gun two times so a small amount of material is discharged into the cup. (Note! This material is to be discarded.) Immediately move the static mixing wand over and point it into the next cup and continue to discharge the remaining amount of material into this cup.
 - Step 8.** Allow the material to set in cup and gently stir with wooden stick for a period of 1 to 1 ½ minutes or until the GatorHyde becomes thicker and will stick to either a finger or wooden stick.
 - Step 9.** Once material has begun to gel, apply enough product to finger or a stick and immediately dab onto damaged area. Use the paint brush to dab the area in a vertical manner to make a textured surface.
- Cure time.** Allow repaired area to cure for a period of 1 hour prior to heavy impact loading.
- Clean-up.** In order to clean up the area take a paper sack or plastic trash bag and place all the empty jars and remaining contents of the repair kit and dispose into a standard trash can or simply put everything back in the box and throw away.

GatorHyde Protective Coatings, Inc., 2210 South Highway 69, Wagoner, OK 74467 * (918) 485-2835 *
www.gatorhyde.com

SYNCHRONIZING TRANSMITTER AND RECEIVER

To teach the transmitter ID code to the receiver, use the following procedure:

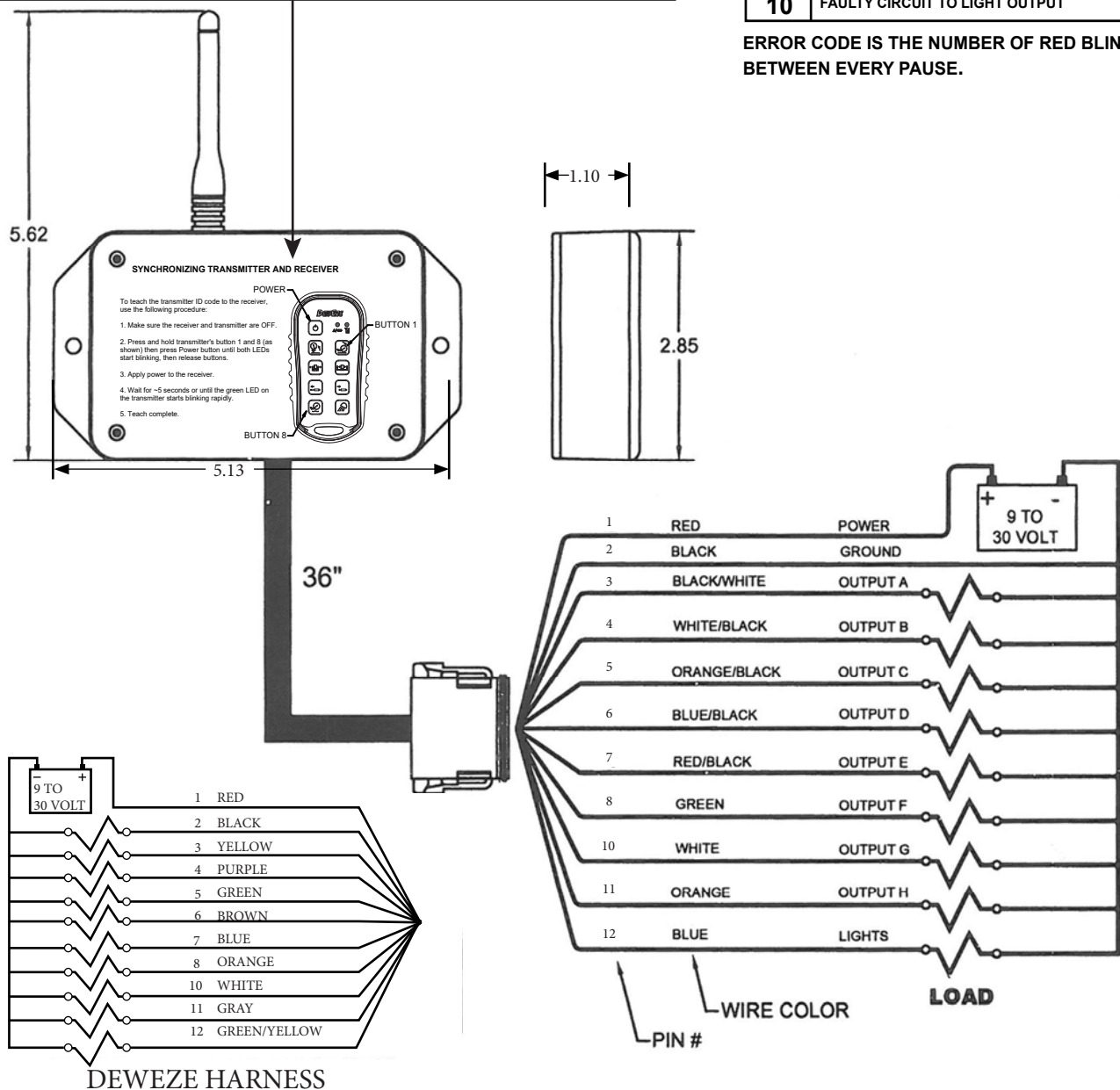
1. Make sure the receiver and transmitter are OFF.
2. Press and hold transmitter's button 1 and 8 (as shown) then press Power button until both LEDs start blinking, then release buttons.
3. Apply power to the receiver.
4. Wait for ~5 seconds or until the green LED on the transmitter starts blinking rapidly.
5. Teach complete.

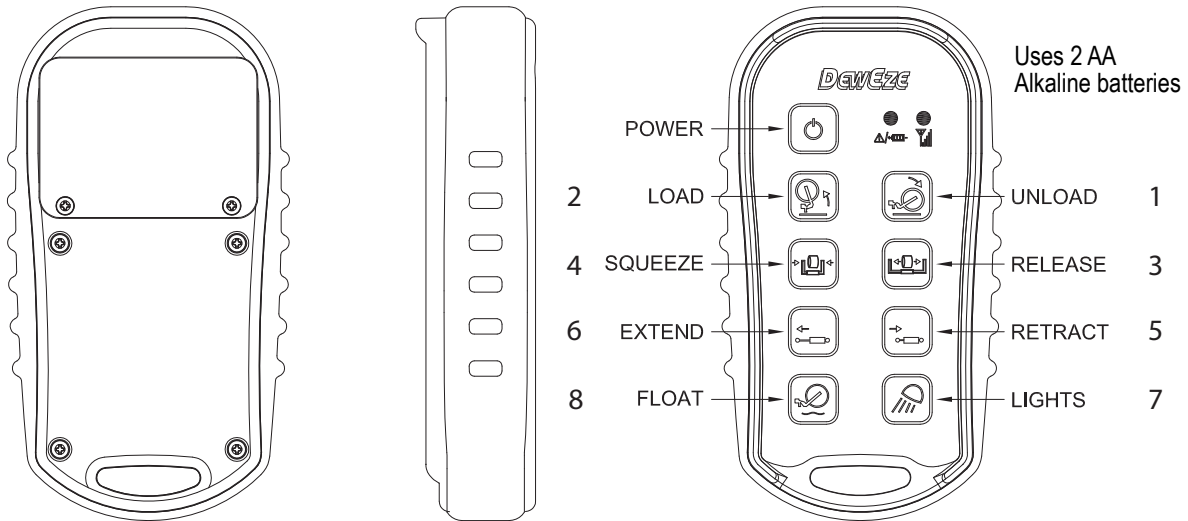


TRANSMITTER ERROR CODE CHART

ERROR CODE	PROBABLE CAUSE
1	LOW BATTERY
2	FAULTY CIRCUIT TO OUTPUT A
3	FAULTY CIRCUIT TO OUTPUT B
4	FAULTY CIRCUIT TO OUTPUT C
5	FAULTY CIRCUIT TO OUTPUT D
6	FAULTY CIRCUIT TO OUTPUT E
7	FAULTY CIRCUIT TO OUTPUT F
8	FAULTY CIRCUIT TO OUTPUT G
9	FAULTY CIRCUIT TO OUTPUT H
10	FAULTY CIRCUIT TO LIGHT OUTPUT

ERROR CODE IS THE NUMBER OF RED BLINKS BETWEEN EVERY PAUSE.





SYSTEM OPERATION:

Press and hold the power button on the transmitter until both LEDs turn on, then release. The green LED will flash rapidly when communication has been established. When the receiver is off, the red LED will flash slowly indicating this. With the receiver on, press the corresponding buttons on the transmitter keypad to turn on and off each of the outputs.

INDICATOR LIGHTS:

The transmitter has two LED indicators, the red BATTERY/DIAGNOSTIC indicator and the green TRANSMIT indicator. The green TRANSMIT indicator flashes rapidly whenever there is communication between the transmitter and the receiver. The red BATTERY/DIAGNOSTIC indicator blinks once per second when the battery voltage is low. It also blinks when there is a problem with the system in the form of an error code. Refer to the ERROR CODE CHART tables for more information.

Note: To check for low battery, turn the receiver off and leave the transmitter on. If the transmitter red LED continues to blink, the battery is low. If the red LED blinks only when the receiver is ON, count the number of blinks and refer to the ERROR CODE CHART.

SLEEP TIME:

The transmitter is factory set to turn off (sleep) after 15 minutes. Use the following procedure to change the time before sleep mode.

1. Press and hold 3 (UNLOAD), 4 (SQUEEZE), 8 (FLOAT) and POWER
2. Release the buttons and both lights should blink once per second.
3. Choose one of the following buttons:
 - a. 1 (UNLOAD) = 15 min
 - b. 2 (LOAD) = 30 min
 - c. 3 (UNLOAD) = 1 hr
 - d. 4 (SQUEEZE) = 2 hr
 - e. 8 (FLOAT) = sleep disabled.

PROGRAMMING OUTPUTS:

The Kar-Tech transmitter can be programmed for different machines. Follow steps to ensure correct mode is enabled.

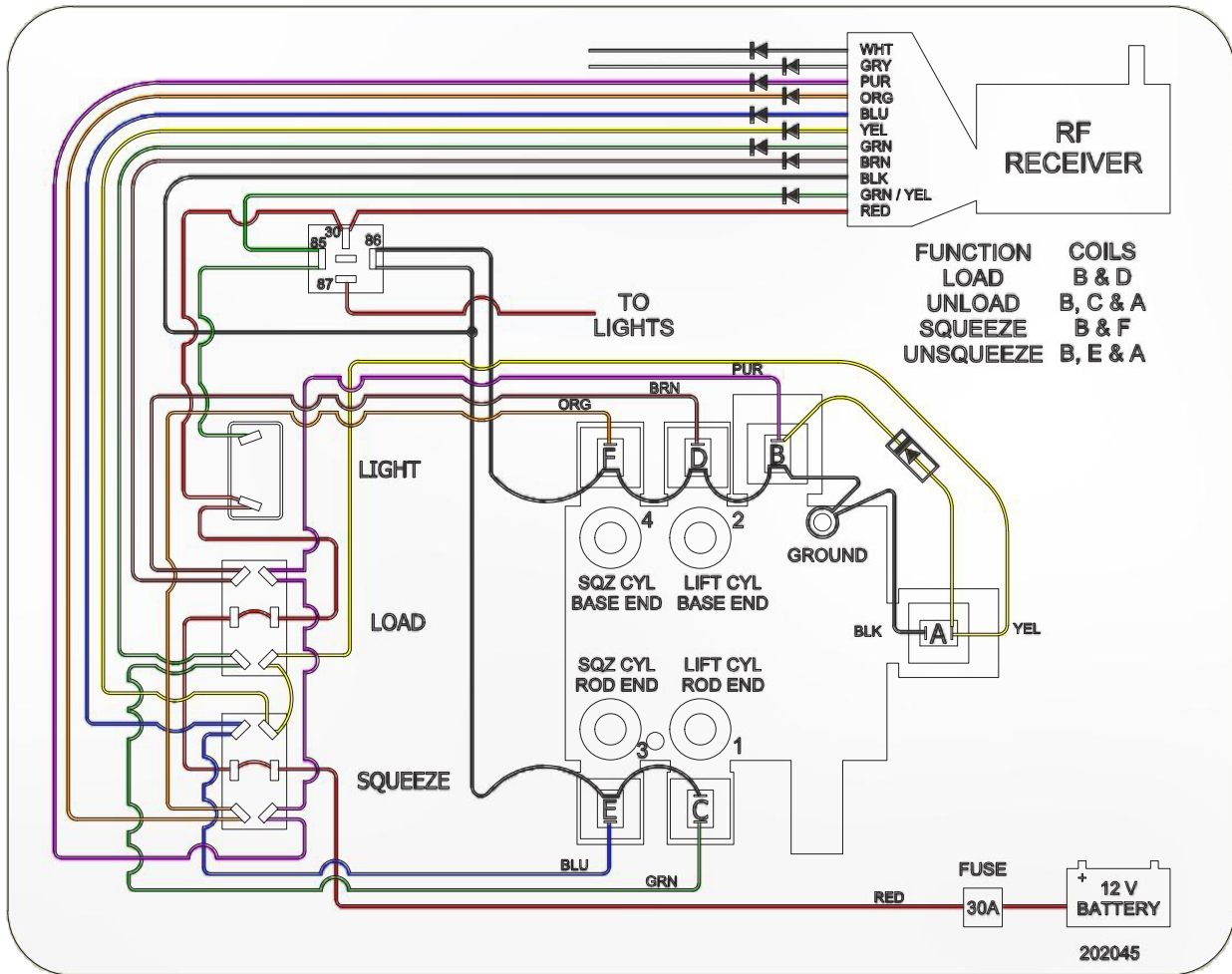
BALE BED

1. Ensure transmitter and receiver are in sync
2. Turn OFF receiver and turn transmitter ON
3. Press and hold buttons 1 (UNLOAD), 4 (SQUEEZE), & 8 (FLOAT). Red LED will start blinking.
4. Turn ON receiver
5. Hold and release button 2 (LOAD).
6. Hold and release POWER button to save and exit the config mode.

SPECIFICATIONS:

RF Transmit power (EIRP): 10 mW
 RF Frequency: 902-928 MHz
 Operating temperature - Radio: -40C to +85C
 Battery life (min): 30 hours continuous.
 Vibration: 3G to 200Hz
 Outputs: 5A max each (20A system max)

2 Bank Wiring, Kar-Tech Remote



Decal Part# 202045

Harness Part# 232087

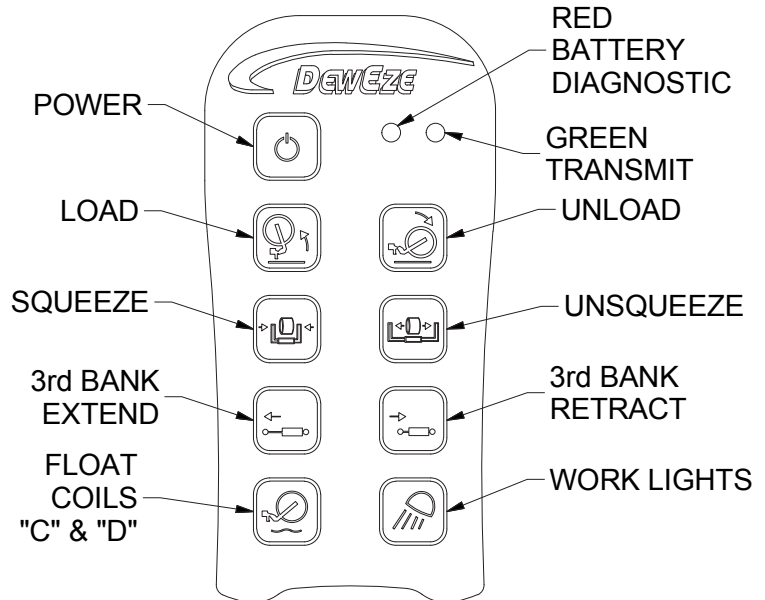
Mini Relay SPDT 12V
530111

DOUBLE POPPET VALVE

FUNCTION	COILS
LOAD	B, C & D
UNLOAD	B, C, D & A
SQUEEZE	B, E & F
UNSQUEEZE	B, E, F & A

202052

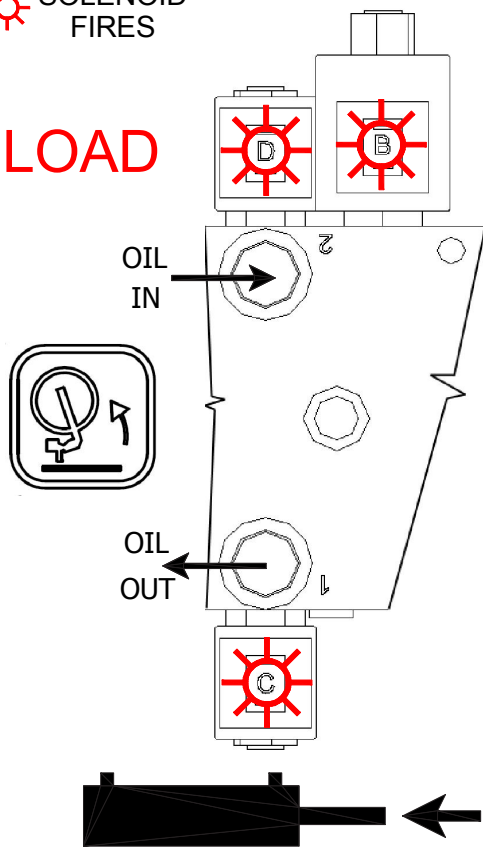
The Pivot Squeeze Bed Has a Double Poppet Valve With Jumper Wires Between C & D (Green) E & F (Blue)



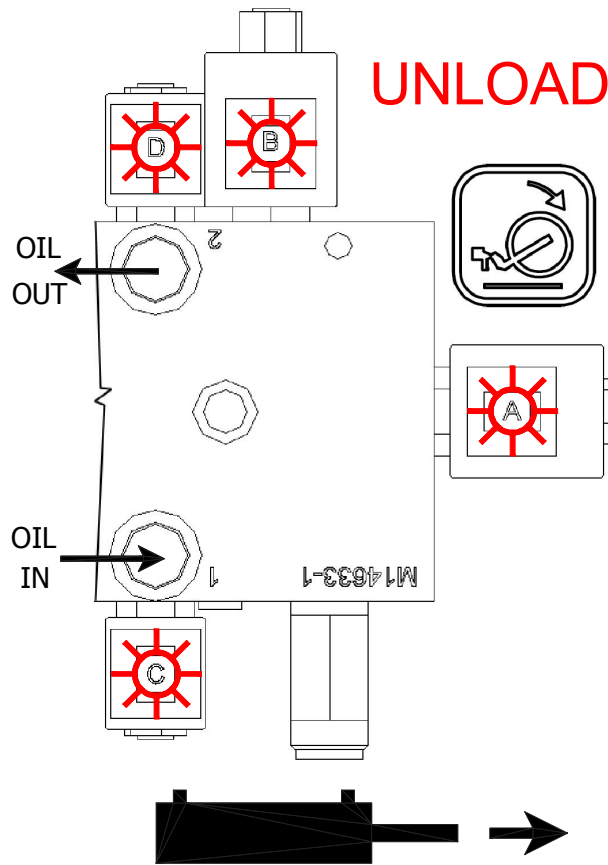
11/6/2013

 SOLENOID FIRES

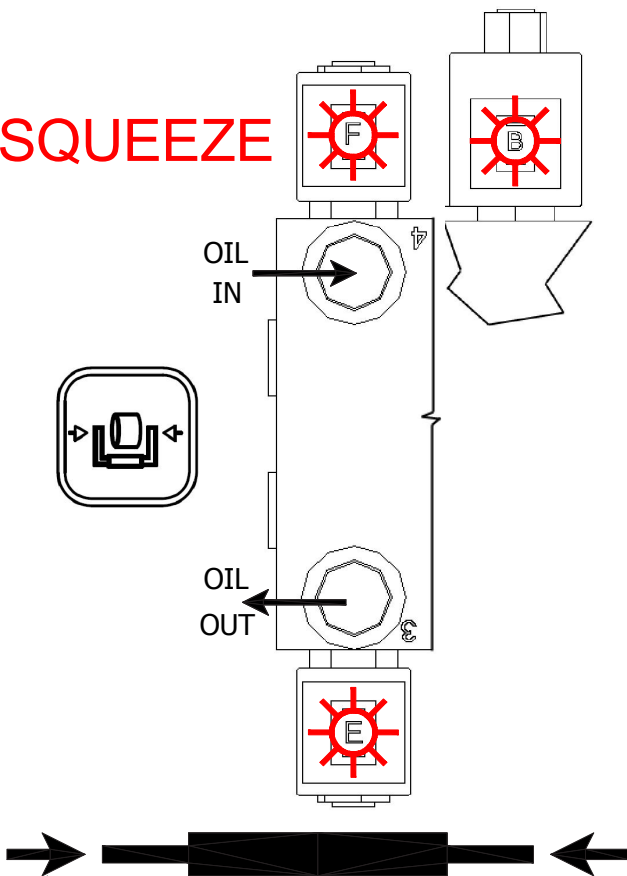
LOAD



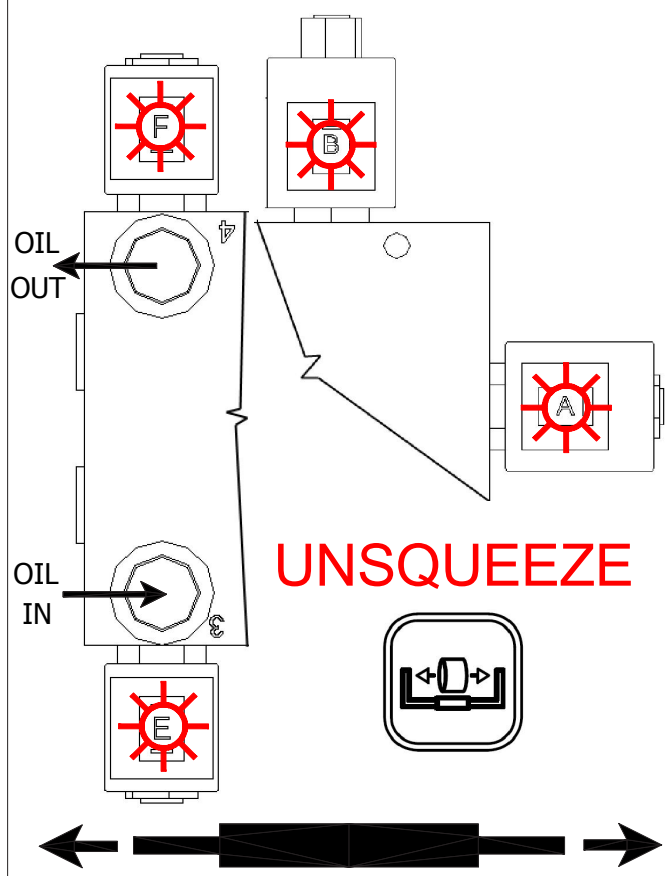
UNLOAD



SQUEEZE



UNSQUEEZE



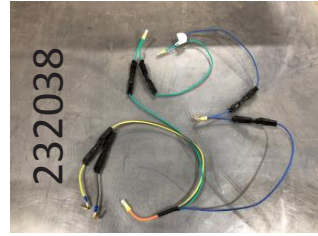
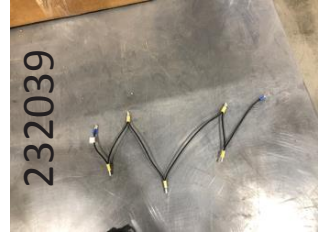
11/6/2013

Wiring for Gen II Valve

1. Install ground wire 232039 as shown on coils (A,B,C,D,E,F)
2. Install diode harness 232038 (harness has piggy back connectors) per table 1.
3. Install harness 150006 from control handle into back of piggy back connectors per table 1.
4. The red wire from harness 150006 goes the supplied fuse. The fuse wire is connected to the + terminal on battery.
5. The black wire from harness 150006 is spliced into the clutch wire.

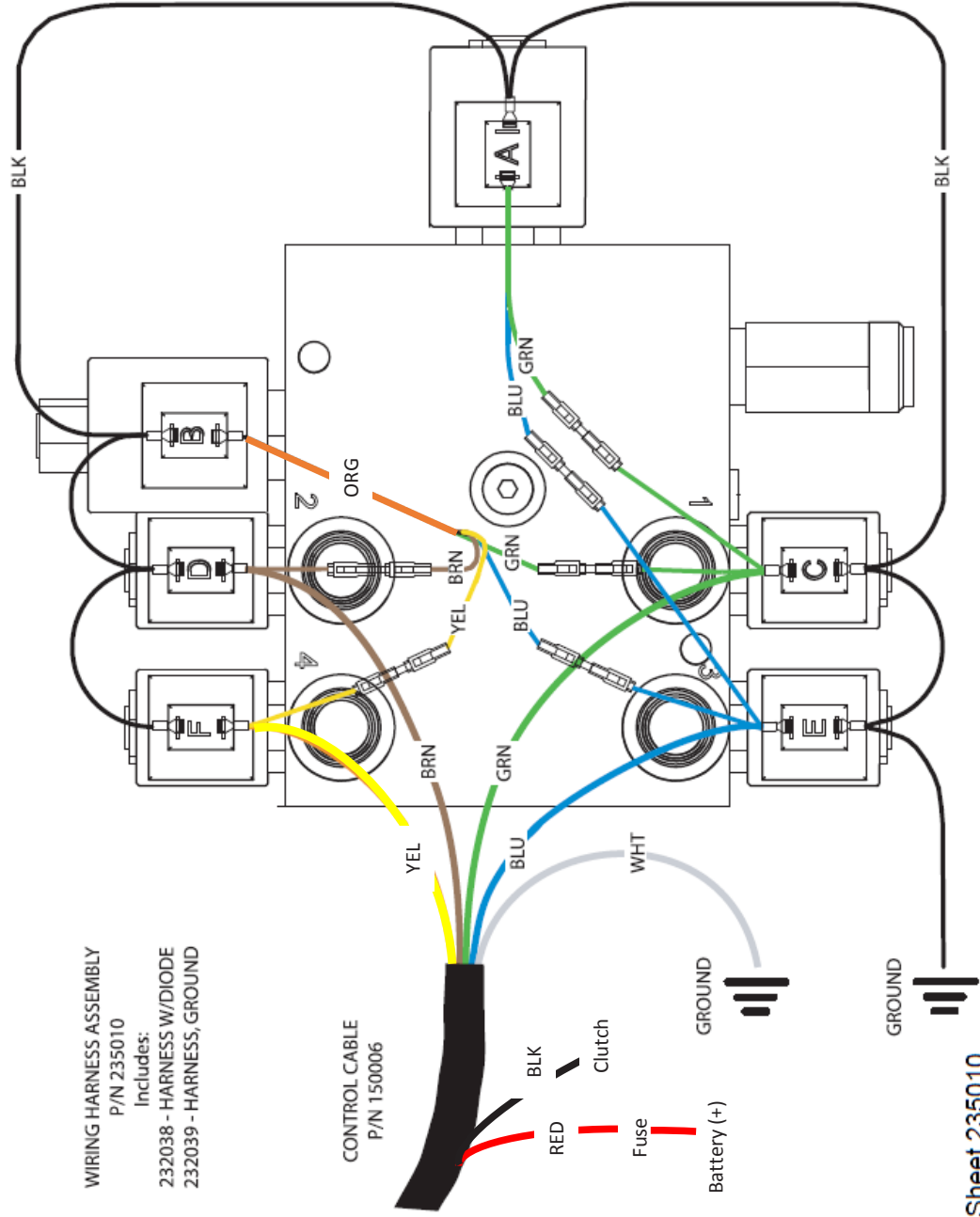
Connection	232038	150006
A	Green/Blue	
B	Orange	Orange
C	Green/Green	Green
D	Brown	Brown
E	Blue/Blue	Blue
F	Yellow	Yellow
CLUTCH		Black
BATTERY (+)		Red

Table 1



WIRING DIAGRAM - GEN II VALVE

MANUAL CONTROL CABLE - WIRING HARNESS WITH DIODES



WIRING HARNESS ASSEMBLY
P/N 235010

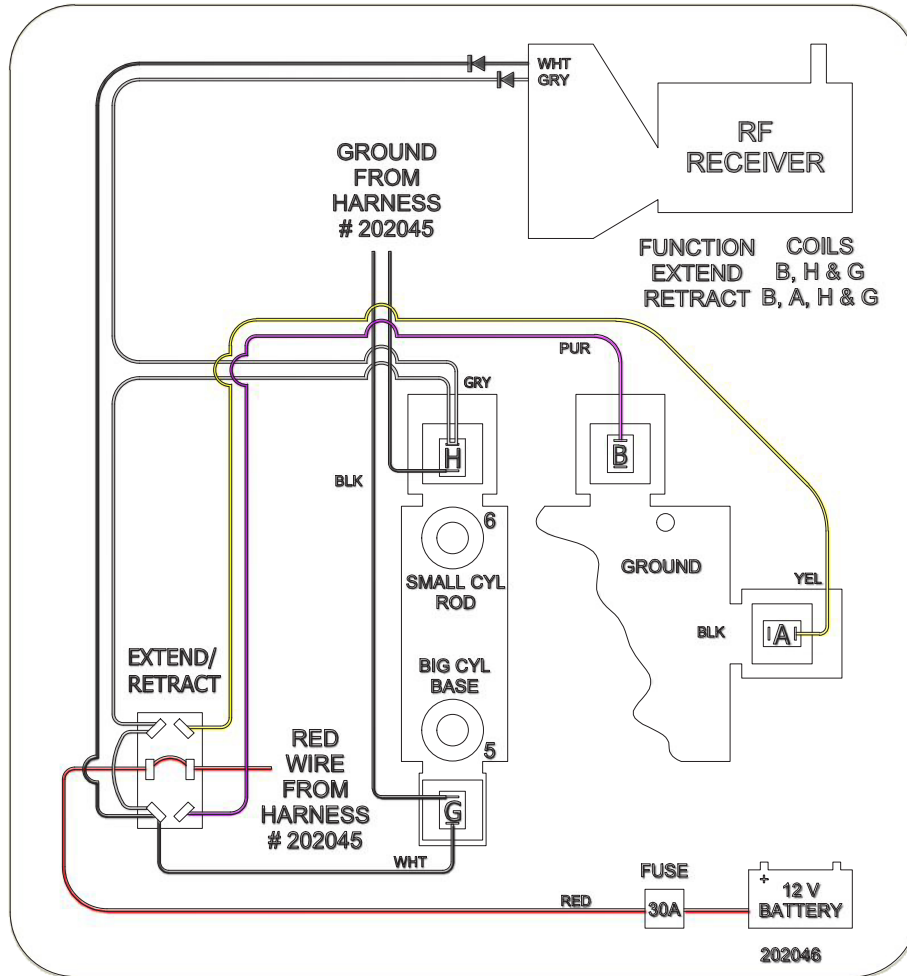
Includes:
232038 - HARNESS W/DIODE
232039 - HARNESS, GROUND

CONTROL CABLE
P/N 150006

BLK Clutch
RED Fuse
WHT Ground
Battery (+)

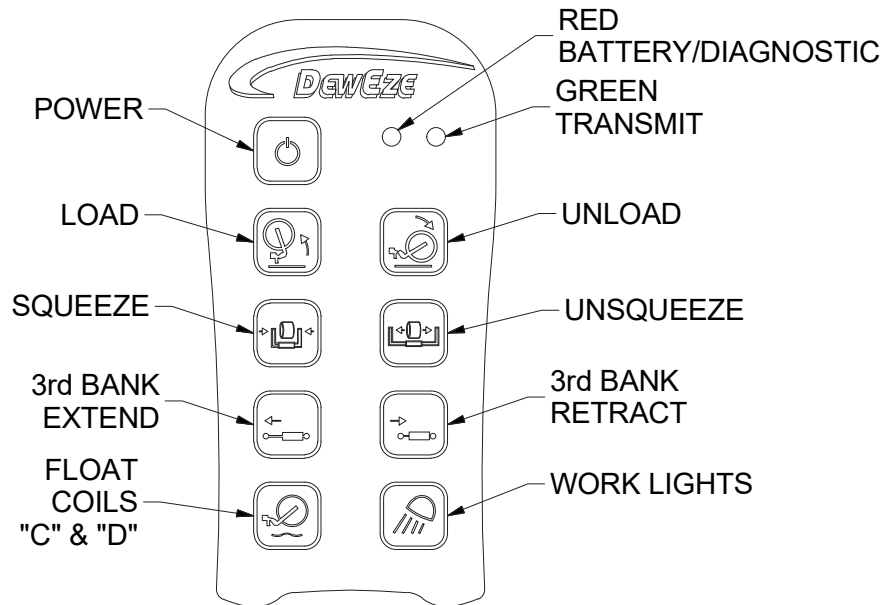
Instructional Sheet 235010

3rd Bank Wiring, Kar-Tech Remote



Decal Part# 202046

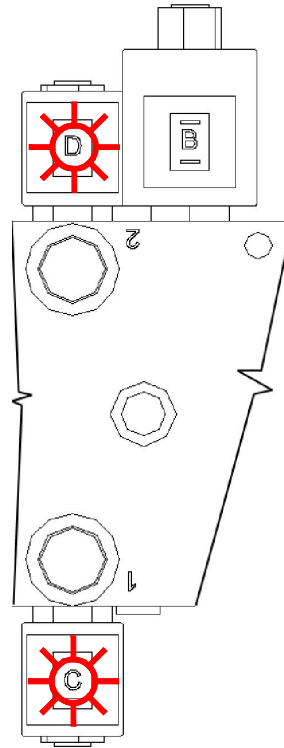
Harness Part# 232088



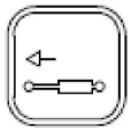
3/11/2011

 SOLENOID FIRES

FLOAT

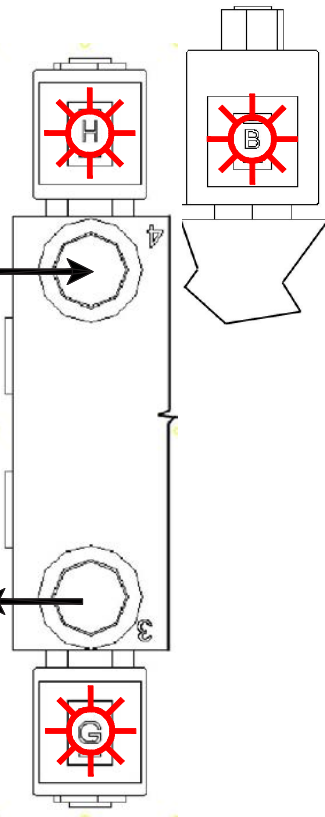


EXTEND

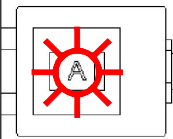


OIL IN

OIL OUT

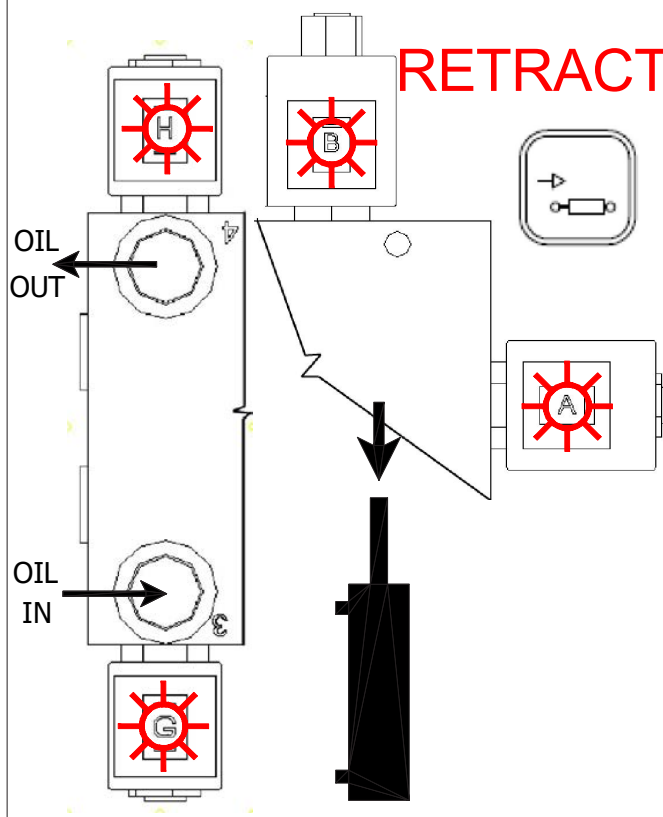


RETRACT



OIL OUT

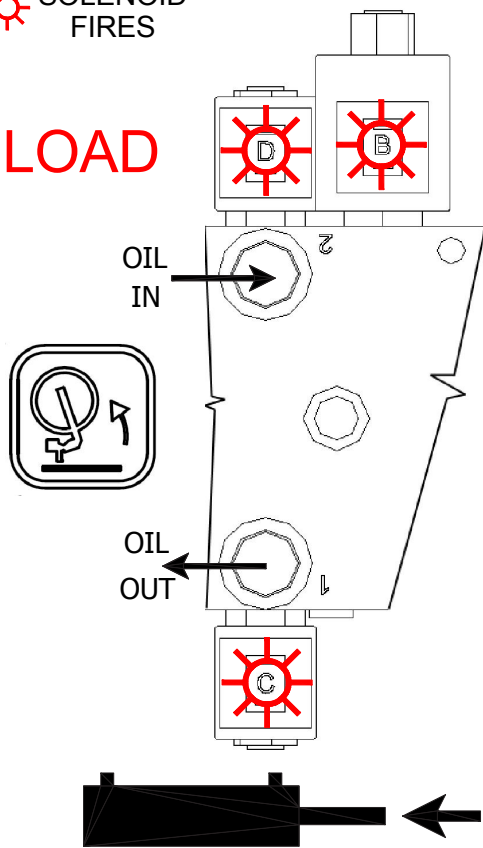
OIL IN



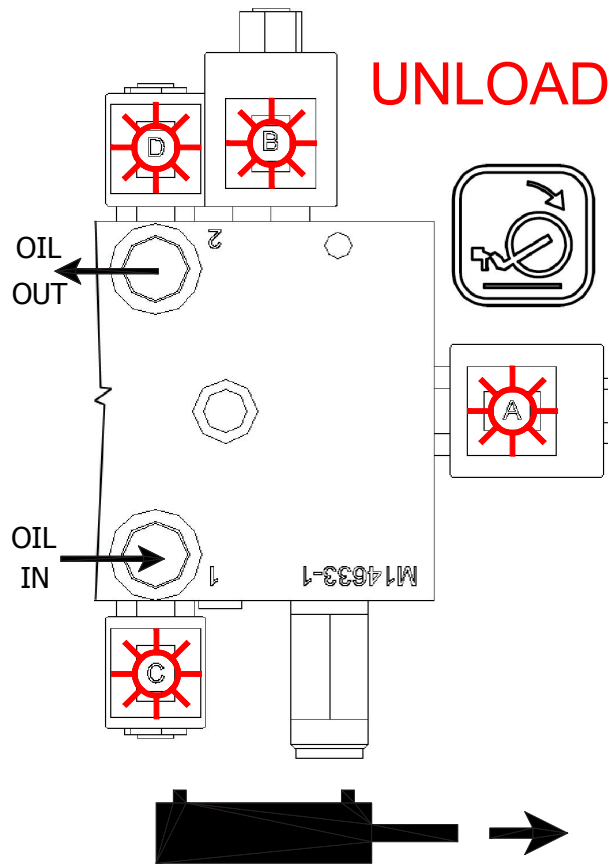
3/11/2011

 SOLENOID FIRES

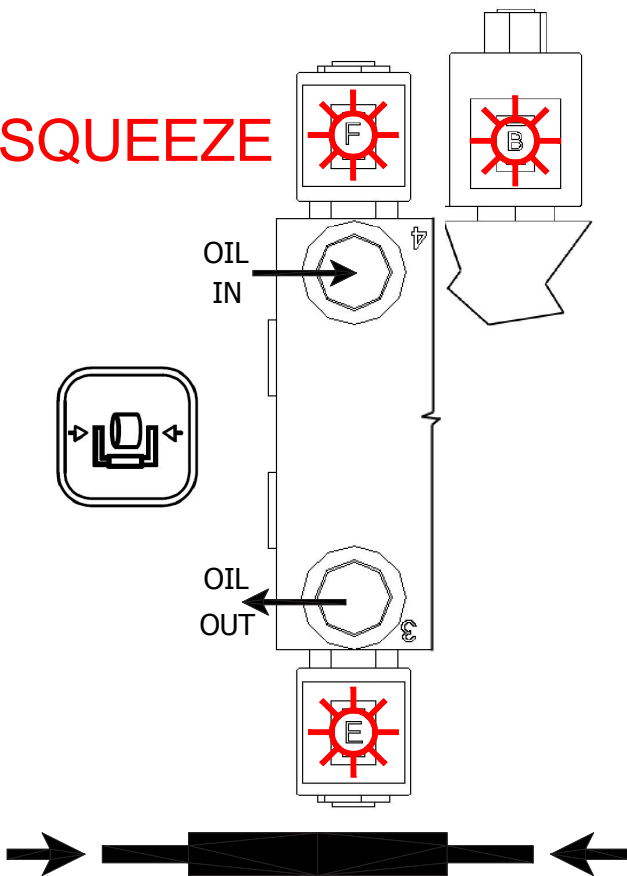
LOAD



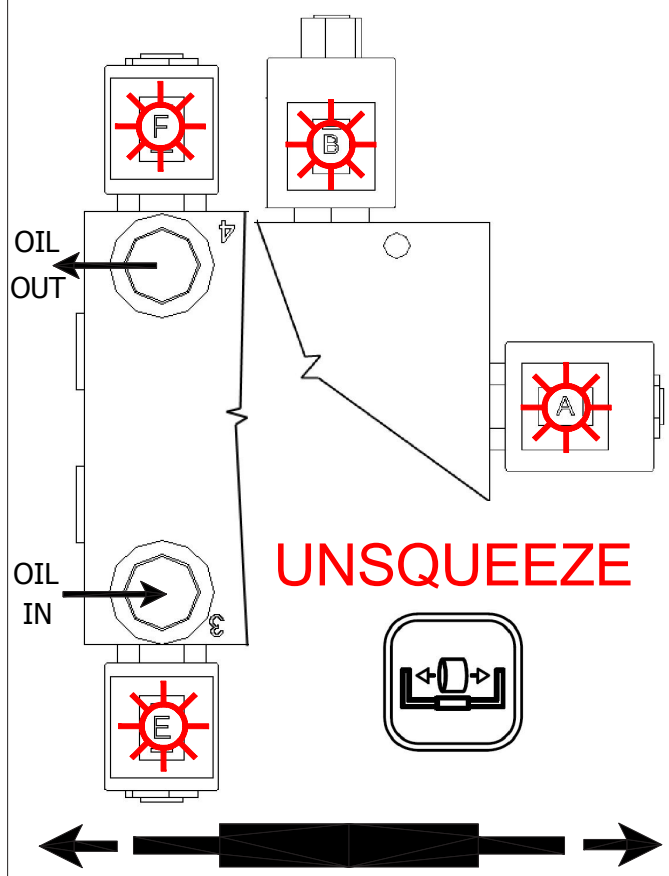
UNLOAD



SQUEEZE



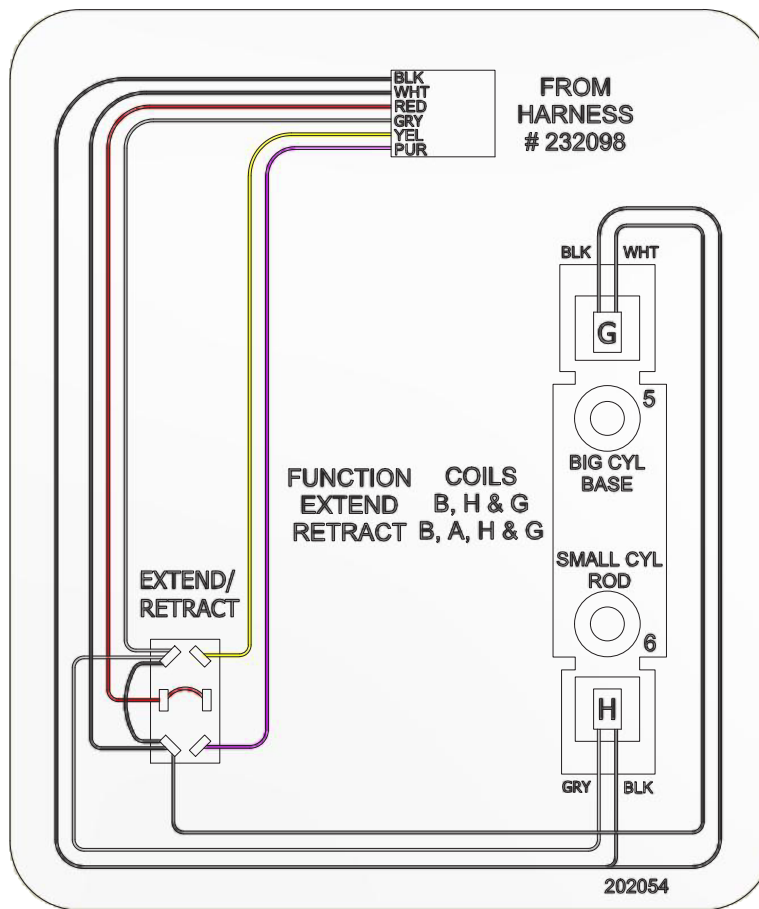
UNSQUEEZE



9/19/2014

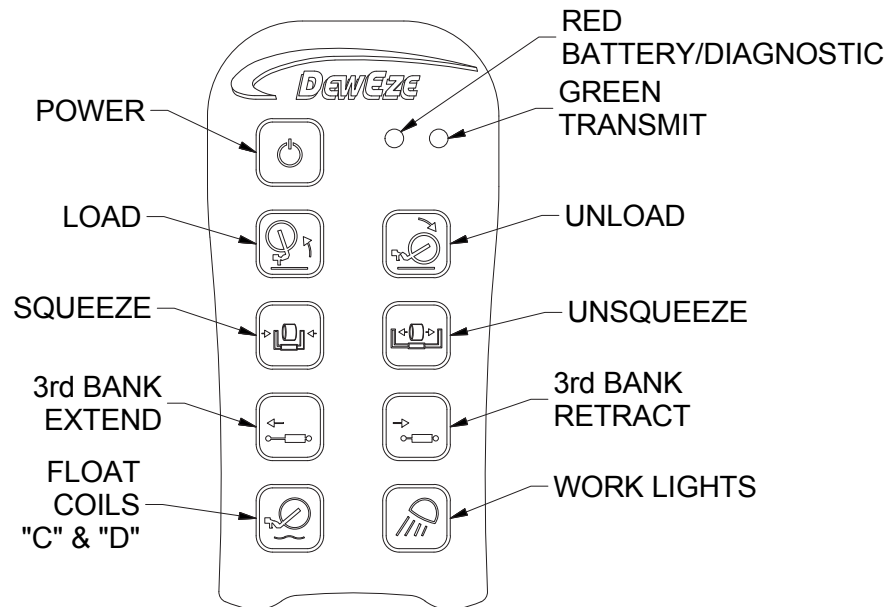
3rd Bank Wiring, Kar-Tech Remote

Gen 3 Double Poppet, Deutsch



Decal Part# 202054

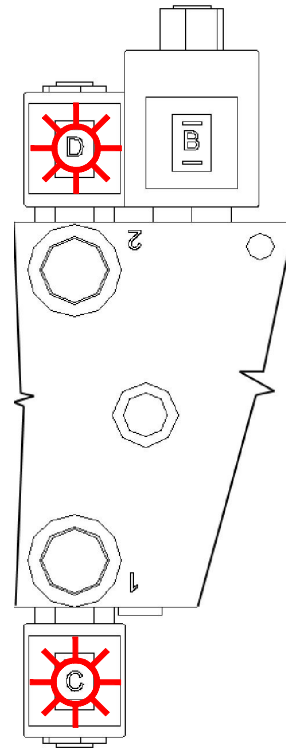
Harness Part# 232099



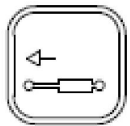
9/19/2014

 SOLENOID FIRES

FLOAT

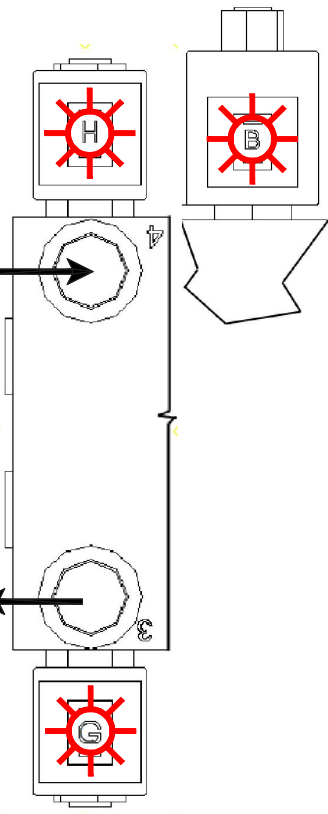


EXTEND

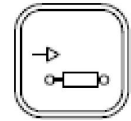


OIL IN

OIL OUT

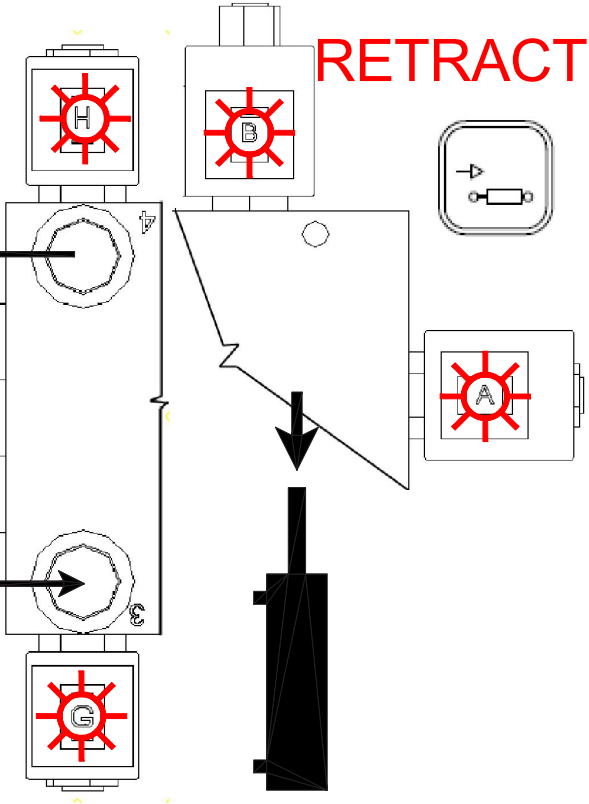


RETRACT



OIL OUT

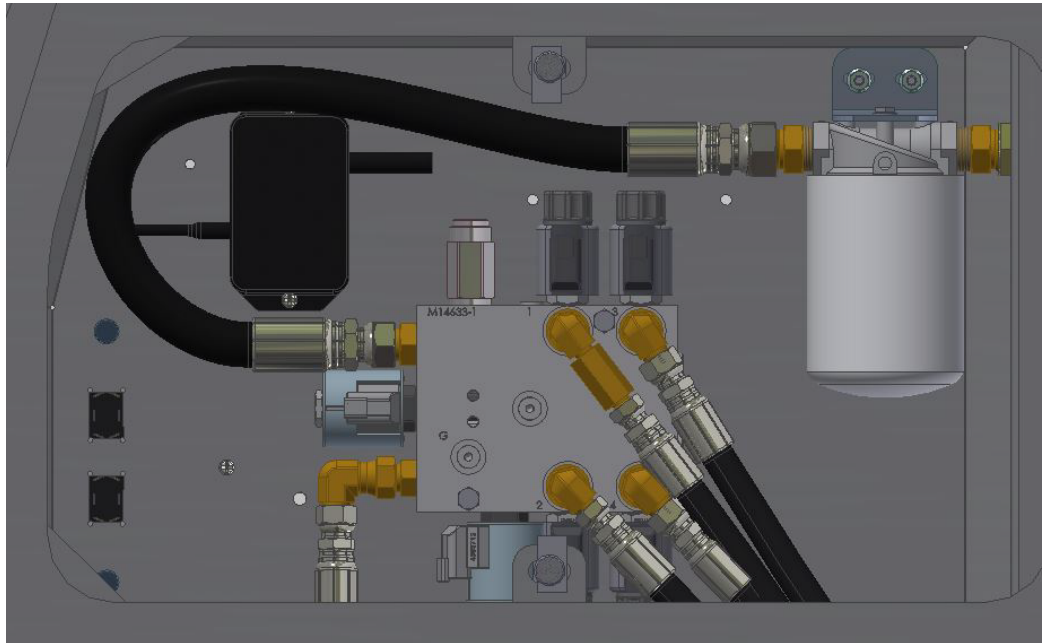
OIL IN



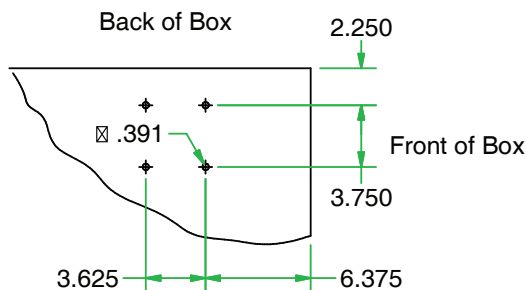
9/19/2014

E / H KIT INSTALLATION INSTRUCTIONS

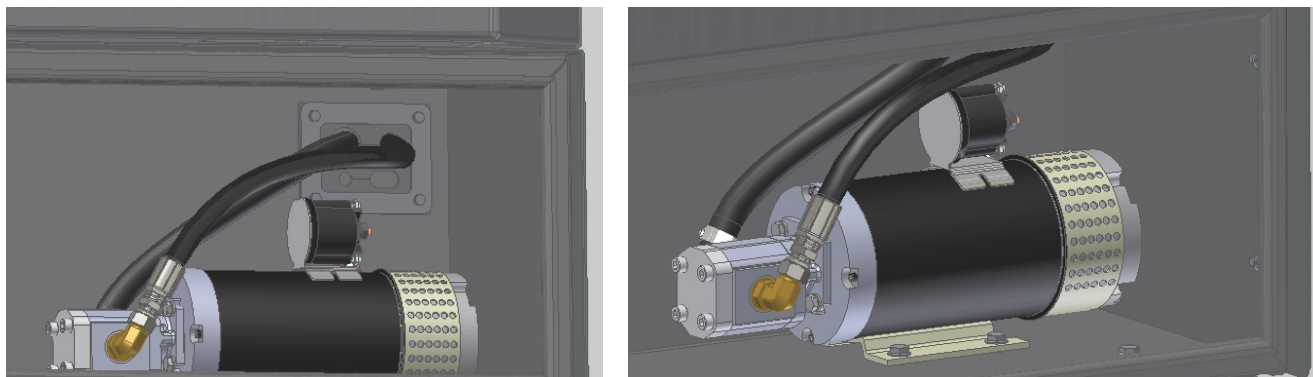
* Read all instructions first.



1. Attach adapters to valve and install inside cavity on headache rack.
2. Attach valve harness per diagram on decal.
3. Attach return hose to valve and filter housing. Attach pressure hose from pump.
4. Attach 1/2" hoses from squeeze cylinder to valve ports #3 & #4.
5. Attach 3/8" hoses from lift cylinder to valve ports #1 & #2.
6. Use cover plate to locate cutout in right side toolbox.
7. Use access cover or edge molding to protect hoses.
8. Drill holes for 3/8" bolts as indicated and bolt pump to inside of toolbox.



9. Attach power harness as indicated.
10. Attach 30-amp fuse holder to positive terminal on battery, run wire through switch on dash and then to the red wire on the harness.



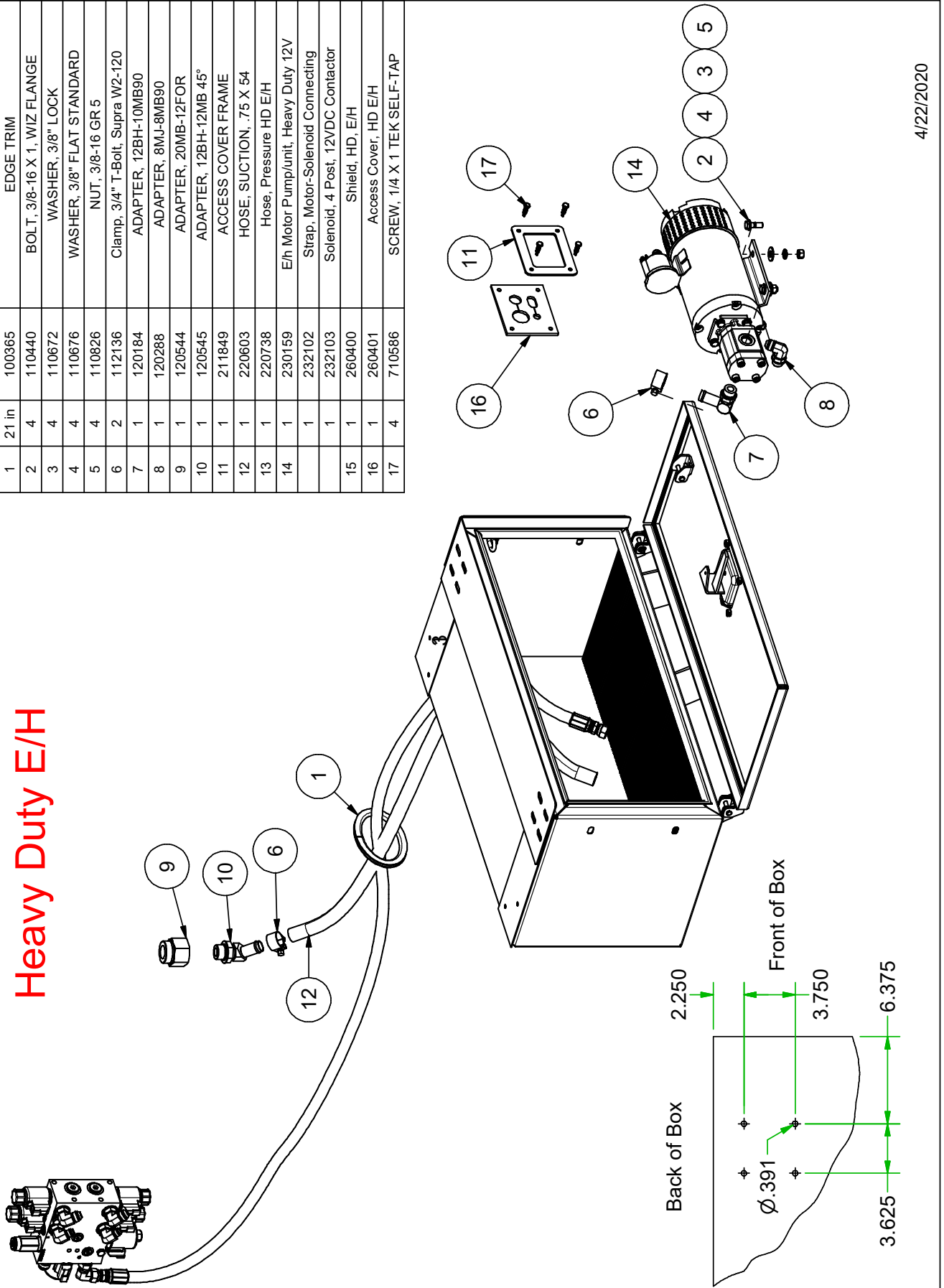
11. Attach suction hose and pressure hose to pump with adapters provided.
12. Attach suction hose to bottom of reservoir.
13. Run battery cables through hole in toolbox and attach to E/H motor as indicated.
14. Run battery cables along frame rail and attach black cable to negative terminal on battery.
15. Attach 200-amp fuse holder to positive battery terminal.
16. Insert 200-amp fuse.
17. Attach red cable from E/H on top of “ice cube” fuse. Install rubber cap.

If installing the 735021 Switch Unit — Read the E/H Hybrid specific instructions first.

Heavy Duty E/H

Parts List

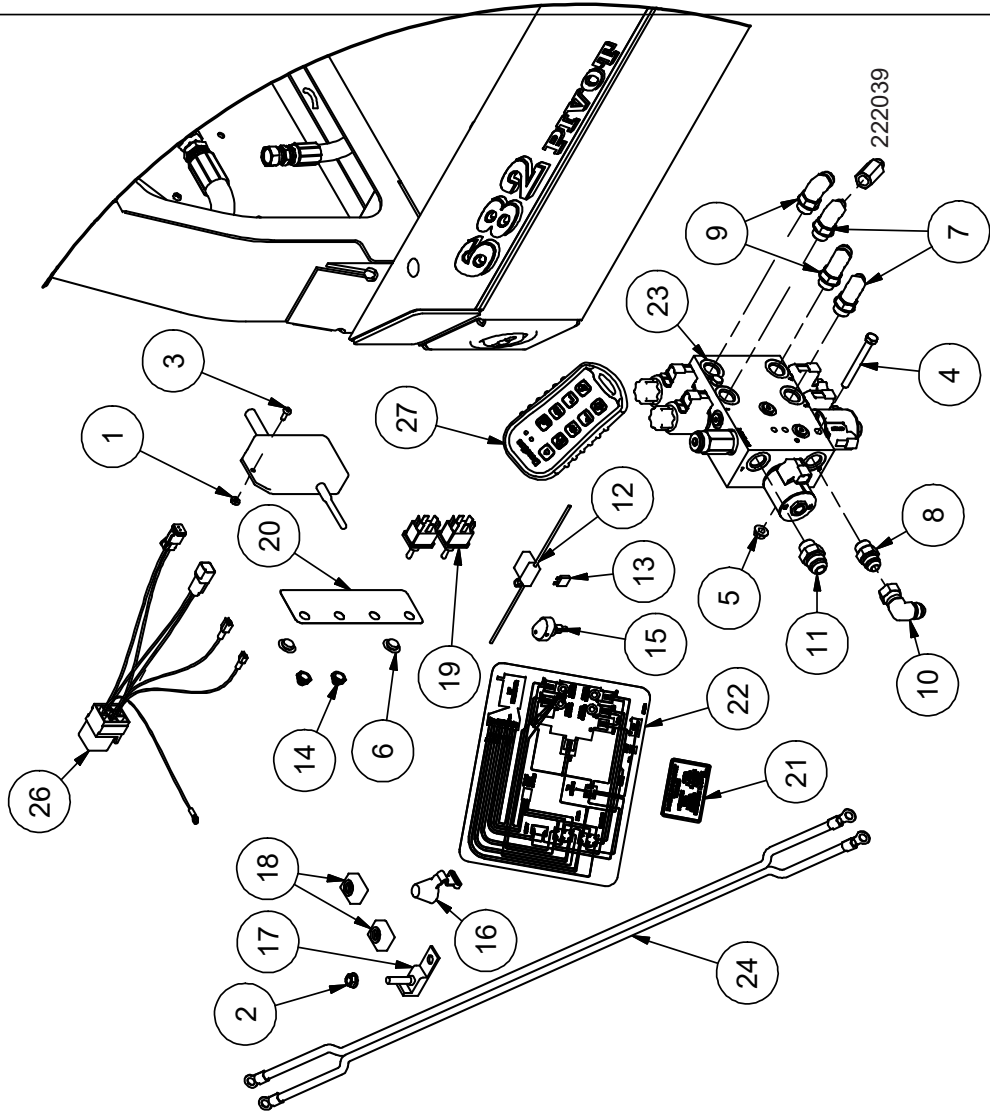
ITEM	QTY	PART #	DESCRIPTION
1	21 in	100365	EDGE TRIM
2	4	110440	BOLT, 3/8-16 X 1, WIZ FLANGE
3	4	110672	WASHER, 3/8" LOCK
4	4	110676	WASHER, 3/8" FLAT STANDARD
5	4	110826	NUT, 3/8-16 GR 5
6	2	112136	Clamp, 3/4" T-Bolt, Supra W2-120
7	1	120184	ADAPTER, 12BH-10MB90
8	1	120288	ADAPTER, 8MJ-8MB90
9	1	120544	ADAPTER, 20MB-12FOR
10	1	120545	ADAPTER, 12BH-12MB 45°
11	1	211849	ACCESS COVER FRAME
12	1	220603	HOSE, SUCTION, .75 X 54
13	1	220738	Hose, Pressure HD E/H
14	1	230159	E/h Motor Pump/unit, Heavy Duty 12V
	1	232102	Strap, Motor-Solenoid Connecting
	1	232103	Solenoid, 4 Post, 12VDC Contactor
15	1	260400	Shield, HD, E/H
16	1	260401	Access Cover, HD E/H
17	4	710586	SCREW, 1/4 X 1 TEK SELF-TAP



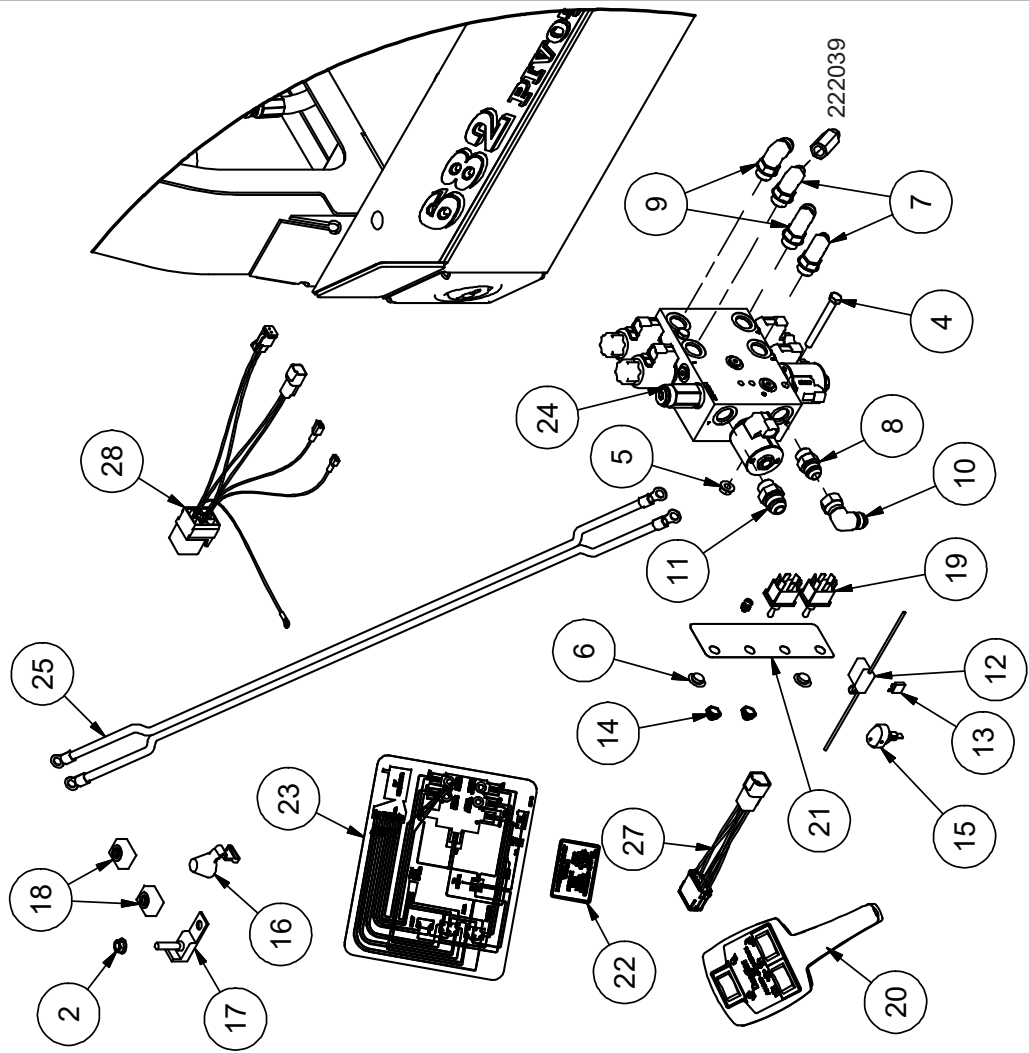
Heavy Duty E/H, W/Remote Part# 205115	
ITEM	DESCRIPTION
1	NUT, 10-24 LOCK
2	NUT, M8 X 1.25 WIZFLANGE
3	BOLT, 10-24 X .5 STAINLESS, PHILLIPS
4	BOLT, 5/16-18 X 3.0
5	NUT, 5/16-18 WIZ FLANGE
6	PLUG, 1/2" BUTTON PLASTIC
7	ADAPTER, 6MJ-8MB90
8	ADAPTER, 8MJ-8MB
9	ADAPTER, 8MJ-8MB90
10	ADAPTER, 8MJ-8FJX90
11	ADAPTER, 10MJ-8MB
12	FUSE HOLDER, ATC, 14 GA., MINI
13	FUSE, MINI 30 AMP
14	SWITCH BOOT
15	Switch, Spst, Rocker Led
16	FUSE COVER, BUSS CFCOVER-1R
17	FUSE HOLDER, BUSS CFBAR1-M8XSP
18	FUSE 200 AMP, BUSS MRBF-200
19	Switch, Toggle, DPDT, (On)-OFF-(ON)
20	DECAL, SWITCH IDENTIFICATION
21	Decal, Double Poppet Valve
22	Decal, Wiring Diagram, Double Poppet Deutsch
23	Flatbed Valve, Small, Monoblock Ver II
24	BATTERY CABLE, 2GA TWIN LEAD, 186"
25	Harness, Flatbed, Double Poppet Deutsch
26	Harness, Flatbed Valve, E/H Control
27	Transmitter & Receiver, Kar-Tech

Mini Relay SPDT 12V
530111

Heavy Duty E/H Kit W/ Remote



Heavy Duty E/H Kit W/ Hand Control



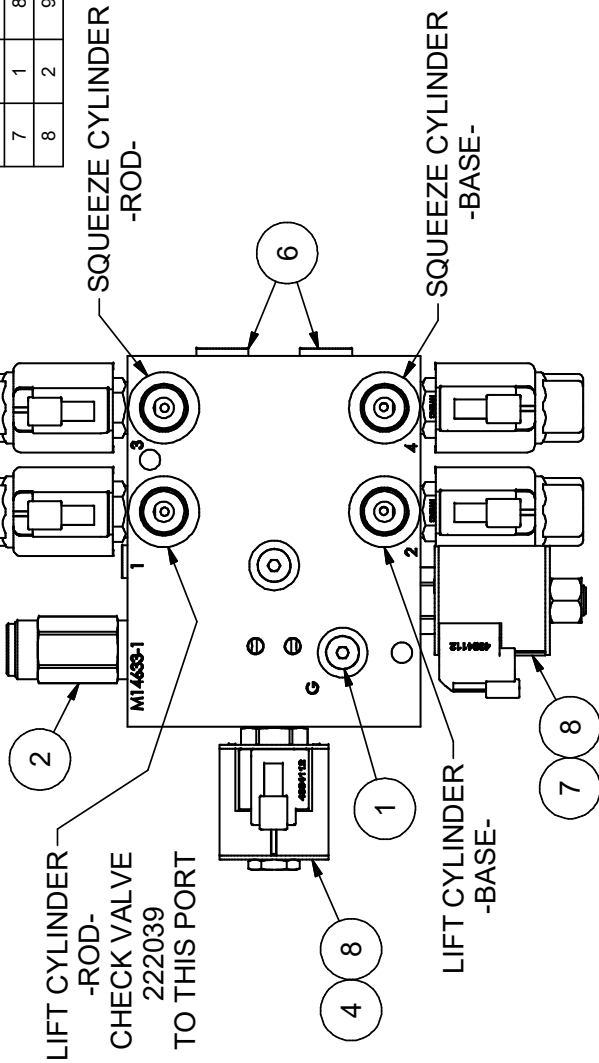
ITEM	QTY	PART #	DESCRIPTION
1	3	110119	NUT, 10-24 LOCK
2	1	110141	NUT, M8 X 1.25 WIZFLANGE
3	3	110264	BOLT, 10-24 X .5 STAINLESS, PHILLIPS
4	2	110538	BOLT, 5/16-18 X 3.0
5	2	110606	NUT, 5/16-18 WIZ FLANGE
6	2	110753	PLUG, 1/2" BUTTON PLASTIC
7	2	120134	ADAPTER, 6MJ-8MB90
8	1	120277	ADAPTER, 8MJ-8MB
9	3	120288	ADAPTER, 8MJ-8MB90
10	1	120368	ADAPTER, 8MJ-8FJX90
11	1	120493	ADAPTER, 10MJ-8MB
12	1	132001	FUSE HOLDER, ATC, 14 GA., MINI
13	1	132002	FUSE, MINI 30 AMP
14	2	132035	SWITCH BOOT
15	1	132044	Switch, Spst, Rocker Led
16	1	132092	FUSE COVER, BUSS CFCOVER-1R
17	1	132093	FUSE HOLDER, BUSS CFBAR1-M8XSP
18	2	132094	FUSE 200 AMP, BUSS MRBF-200
19	2	132127	Switch, Toggle, DPDT, (On)-OFF-(ON)
20	1	150044	Hand Control & Cable Assy, 2 Bank
21	1	202003	DECAL, SWITCH IDENTIFICATION
22	1	202052	Decal, Double Poppet Valve
23	1	202053	Decal, Wiring Diagram, Double Poppet Deutsch
24	1	223044	Flatbed Valve, Small, Monoblock Ver II
25	1	230155	BATTERY CABLE, 2GA TWIN LEAD, 186"
26	1	232098	Harness, Flatbed, Double Poppet Deutsch
27	1	232105	Harness, Adapter 2 Bank, Hand Control
28	1	232115	Harness, Flatbed Valve, E/H Control

Mini Relay SPDT 12V
530111

Flatbed Valve, Small, Hydac Deutsch P/N 223044

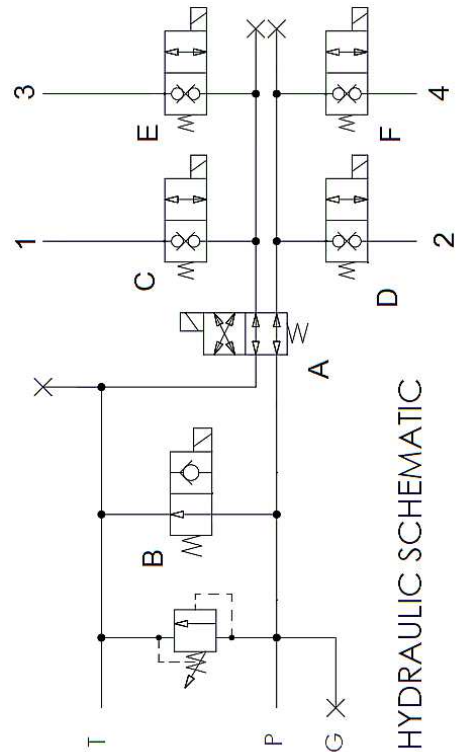
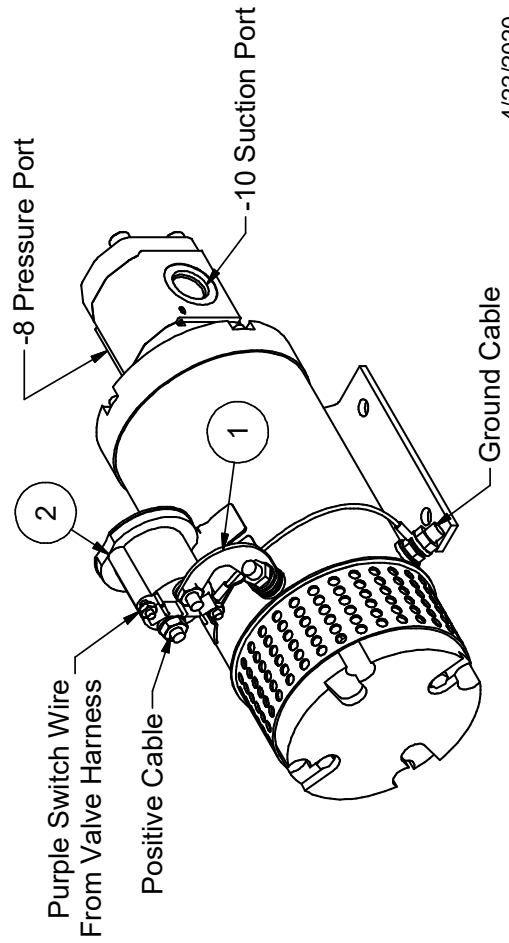
ITEM	QTY	PART #	DESCRIPTION
1	3	120062	O-Ring Plug, #4 7/16-20
2	1	222004	Valve, Pressure Relief
3	4	222010	Cartridge, #8 HYDAC Double Poppet
4	1	222045	#10 SOLENOID, 2 POSITION 4 WAY
5	4	222059	Coil, #8 Hydac, DT04-2P Suppressed
6	2	720164	O-Ring Plug, #8 3/4-16
7	1	820232	Spool, #10 Valve
8	2	922119	Coil, #10 Hydratforce, DT04-2P Suppressed

**Flatbed Valve
-08 Hydac Deutsch
Service Parts**

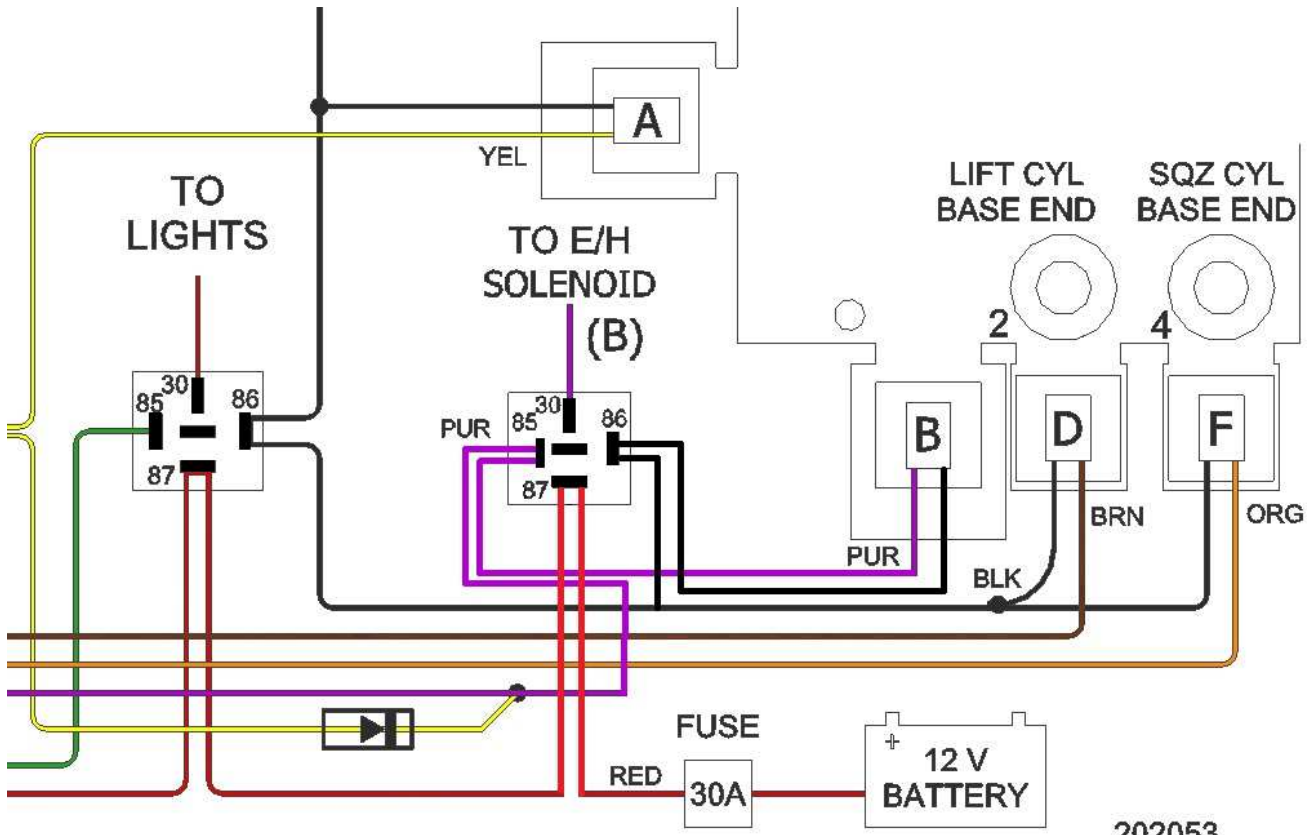
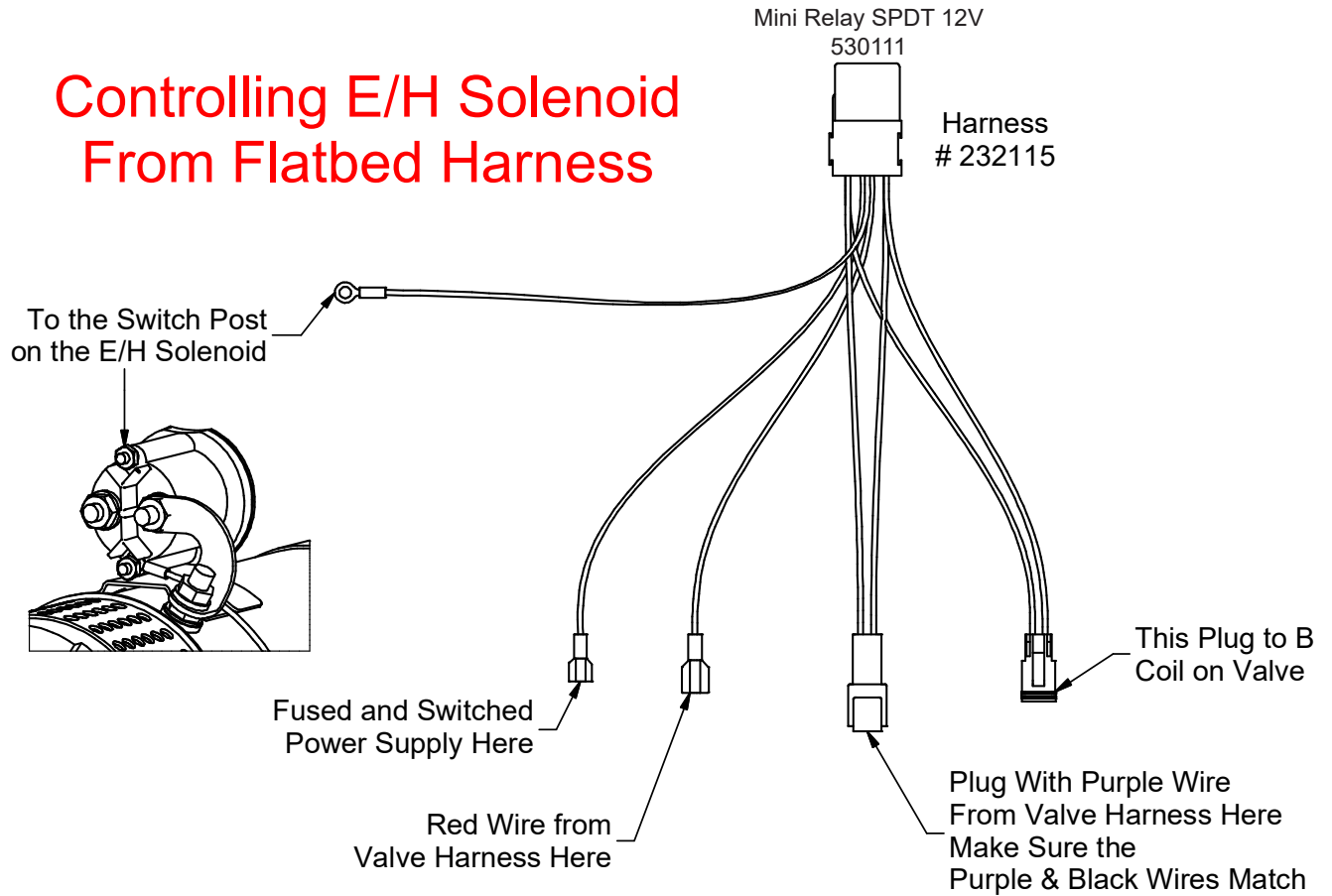


**Heavy Duty E/H
Motor & Pump**

ITEM	QTY	PART #	DESCRIPTION
1	1	232102	Strap, Motor-Solenoid Connecting
2	1	232103	Solenoid, 4 Post, 12VDC Contactor



Controlling E/H Solenoid From Flatbed Harness

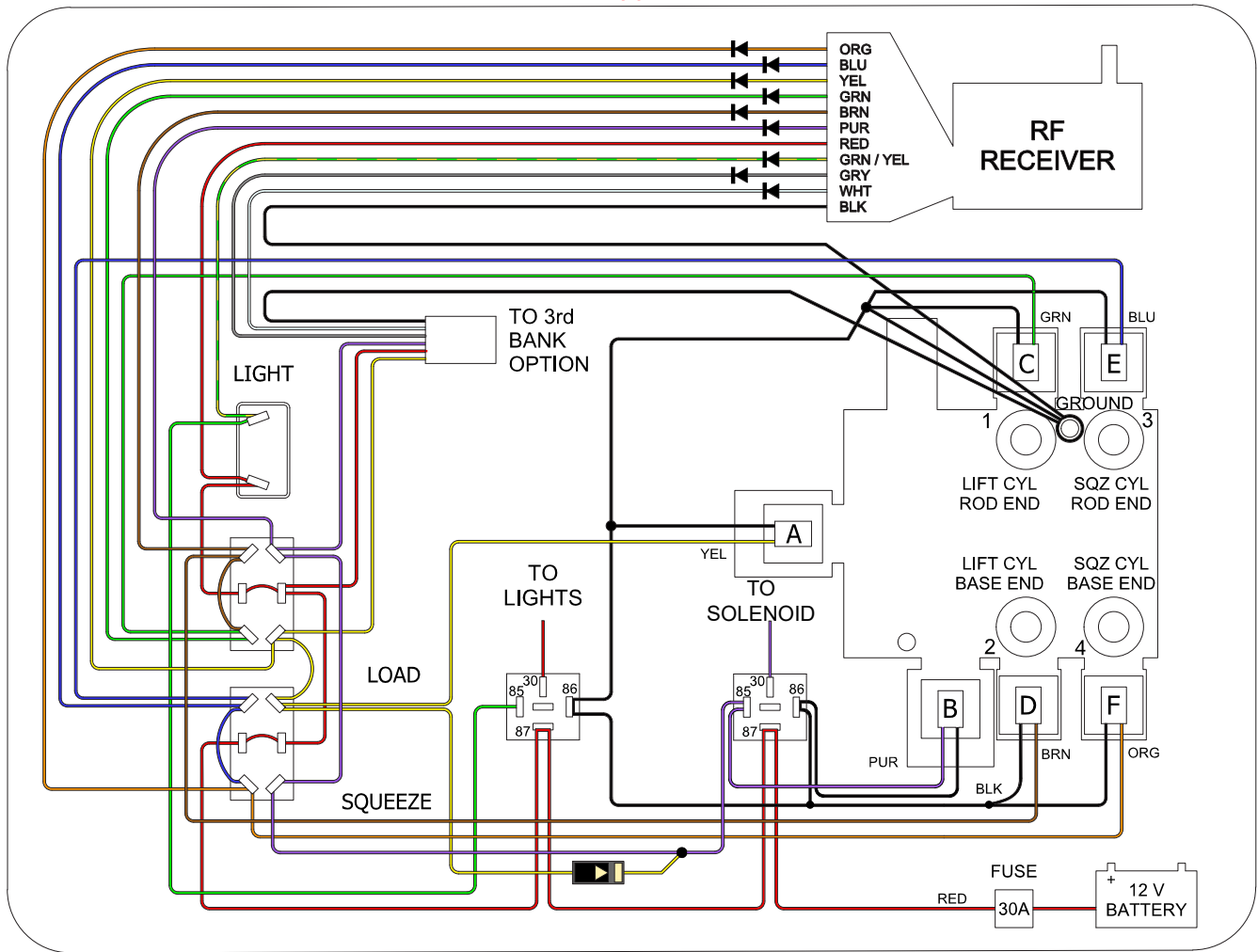


202053

4/22/2020

2 Bank Wiring, Kar-Tech Remote

Gen 3 Double Poppet, Deutsch



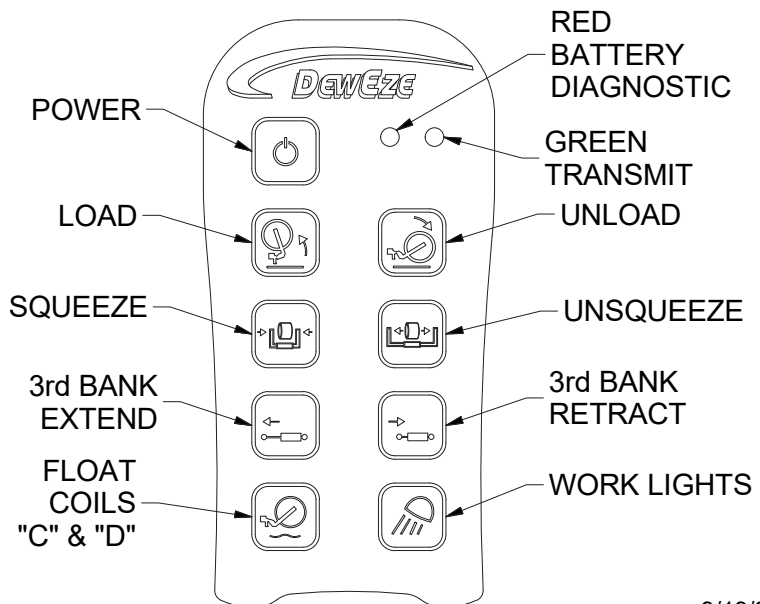
Decal Part# 202053

Harness Part# 232098

Mini Relay SPDT 12V 530111

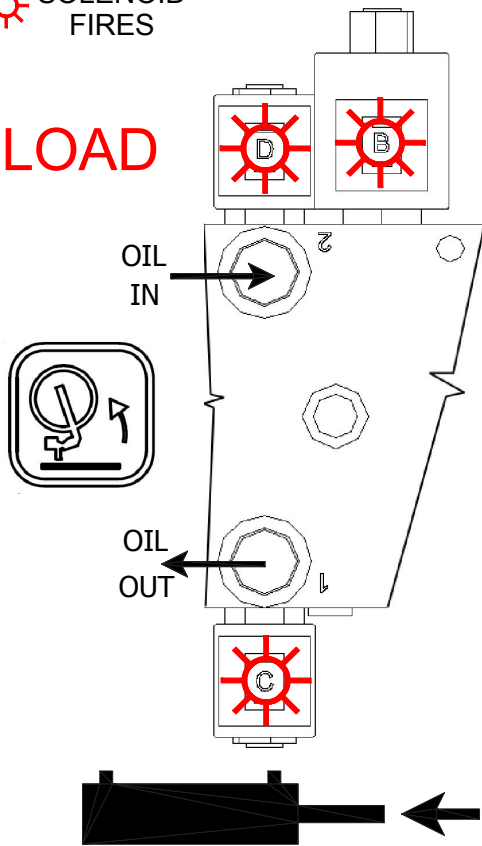
DOUBLE POPPET VALVE	
FUNCTION	COILS
LOAD	B, C & D
UNLOAD	B, C, D & A
SQUEEZE	B, E & F
UNSQUEEZE	B, E, F & A

202052

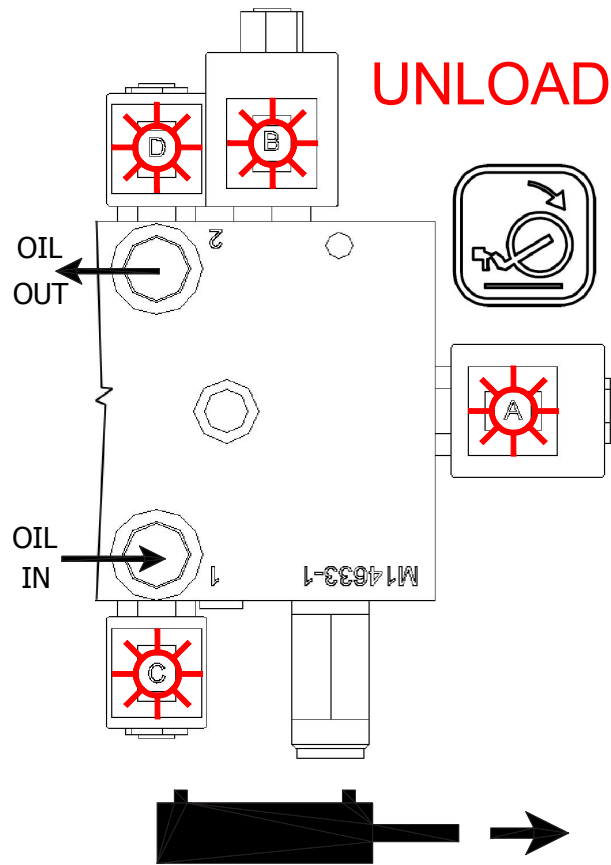


 SOLENOID FIRES

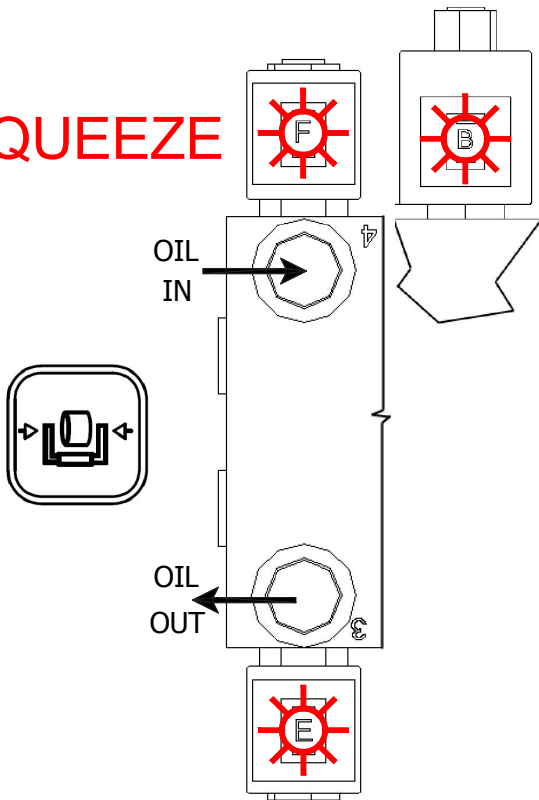
LOAD



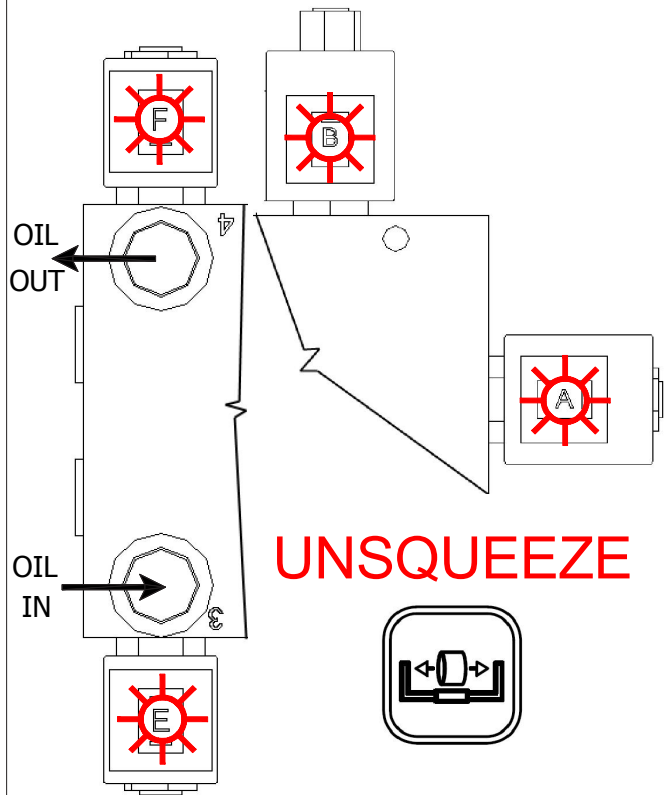
UNLOAD



SQUEEZE

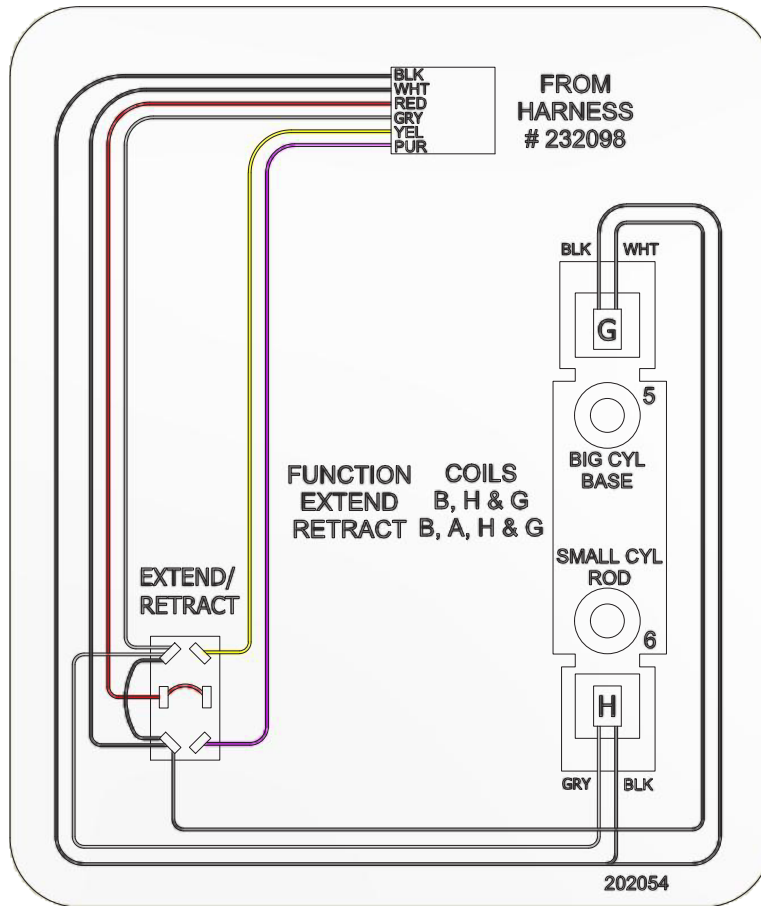


UNSQUEEZE



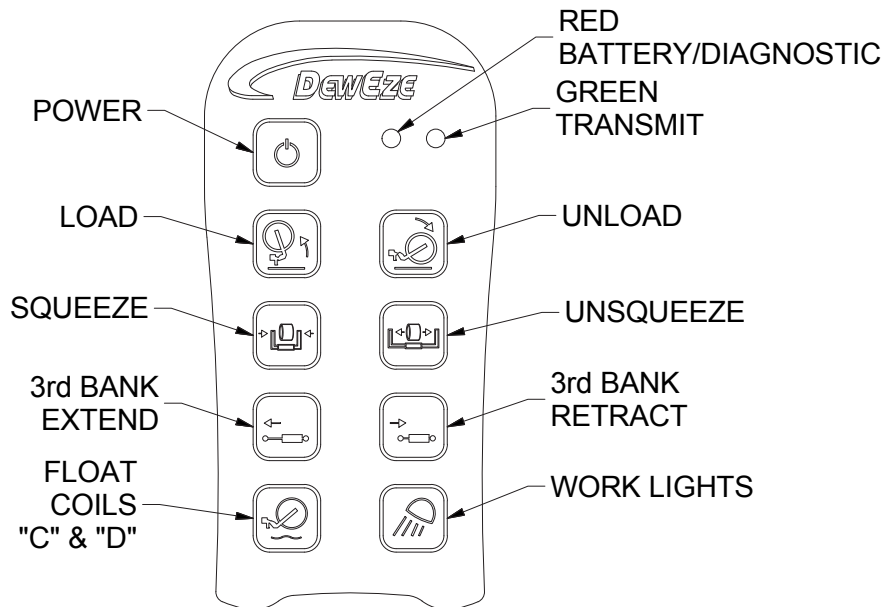
3rd Bank Wiring, Kar-Tech Remote

Gen 3 Double Poppet, Deutsch



Decal Part# 202054

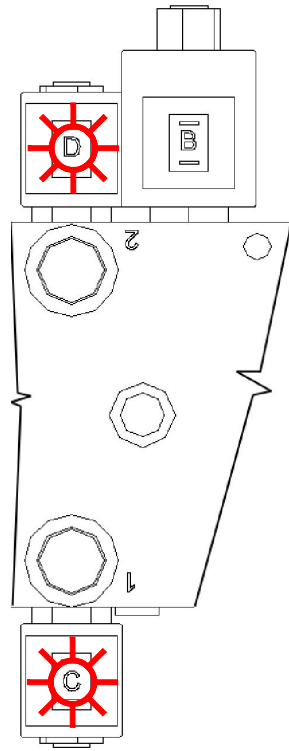
Harness Part# 232099



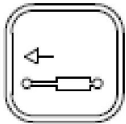
9/19/2014

 SOLENOID FIRES

FLOAT

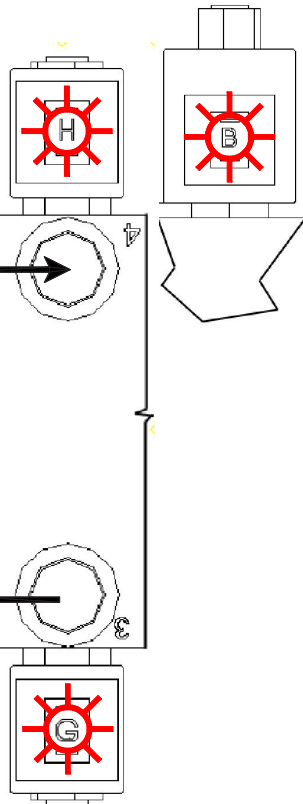


EXTEND

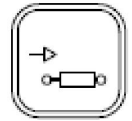


OIL IN

OIL OUT

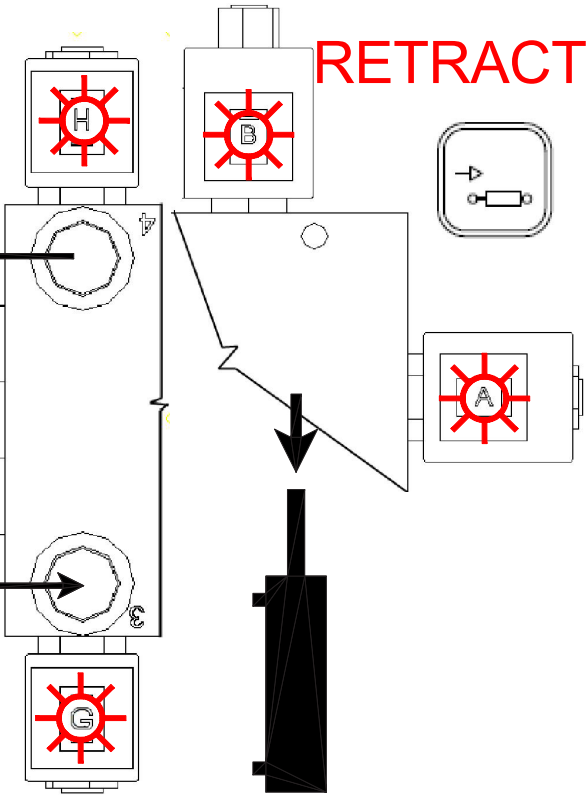


RETRACT



OIL OUT

OIL IN



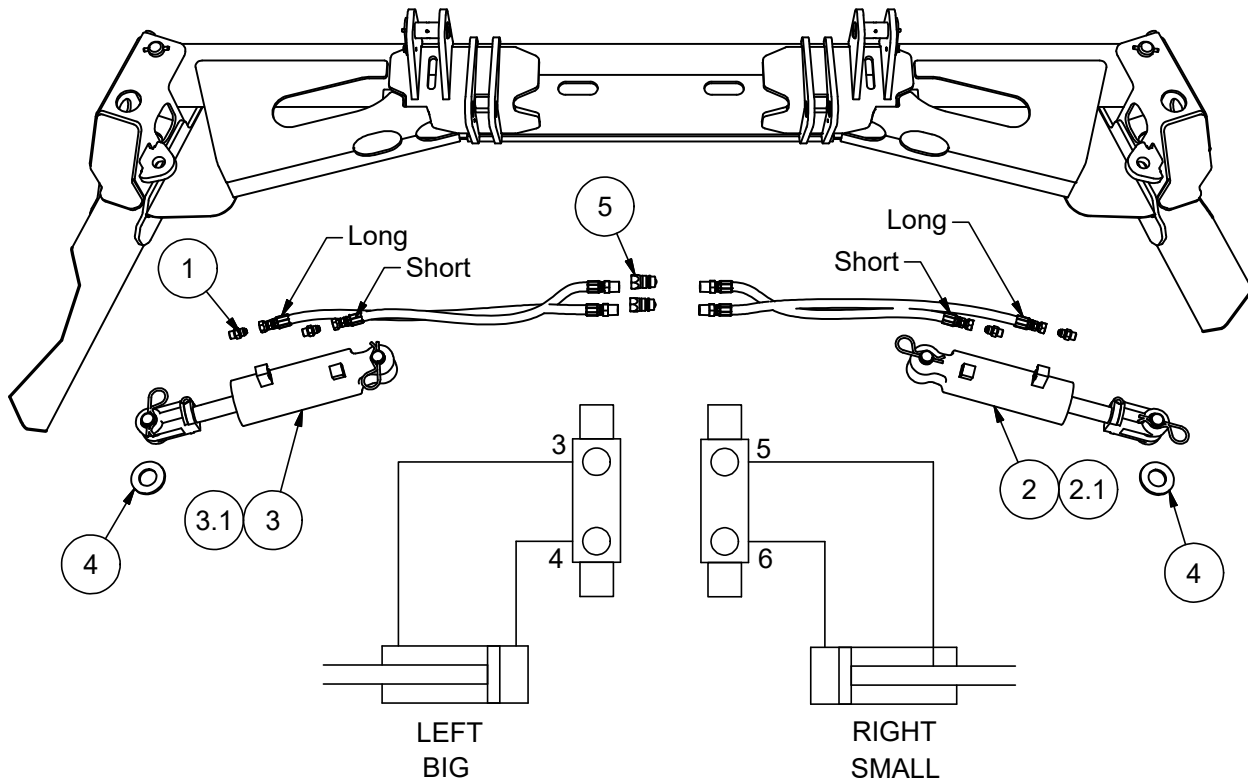
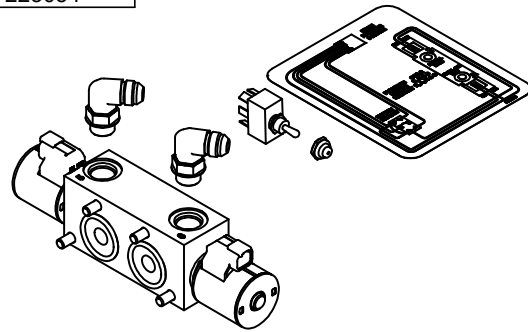
9/19/2014

Appendix IV

Pivot Squeeze Independent Arm Control Hoses				
Hoses	--70	--75	--82	--87
Independent Squeeze Front to Back (2ea)	220724 (110in)	220725 (127in)	220726 (137in)	220727 (163in)
Kit	223055	223056	223057	223058

Pivot Squeeze Hoses			
Hoses	67-	68-	7--
Pivot Squeeze Short	220712 (27in)	220717 (30in)	220713 (32in)
Pivot Squeeze Long	220713 (32in)	220718 (35in)	220715 (37in)
Kit number	223052	223053	223054

3rd Bank, Independent Arm (235022)			
ITEM	QTY	PART #	DESCRIPTION
1	1	223045	Valve, 3rd Bank add on (223044)
2	2	120288	ADAPTER, 8MJ-8MB90
3	1	232099	Harness, Flatbed 3rd Bank, Deutsch
4	1	132035	SWITCH BOOT
5	1	232086	SWITCH, DPDT, M, 6 PIN, PUSH ON
6	1	202054	Decal, 3rd Bank, Double Poppet Deutsch



Parts List			
ITEM	QTY	PART #	DESCRIPTION
1	4	120319	ADAPTER, 6MJ-6MB
2	1	223042	Pivot Cylinder, 3.0 x 5.0
2.1		212021	Seal Kit
3	1	223043	Pivot Cylinder, 3.25 x 5.0
3.1		212025	Seal Kit
4	4	260302	Shim Washer
5	2	420005	COUPLER, PIONEER MALE

Pivot Squeeze Independent Arm Control Hydraulics

9/22/2014

NOTES

Harper Industries, Inc.
151 E. Highway 160
Harper, KS 67058

Telephone: 620-896-7381
Toll-Free: 800-835-1042
Fax: 620-896-7129

Website: www.harperindustries.com

E-mail: info@harperindustries.com